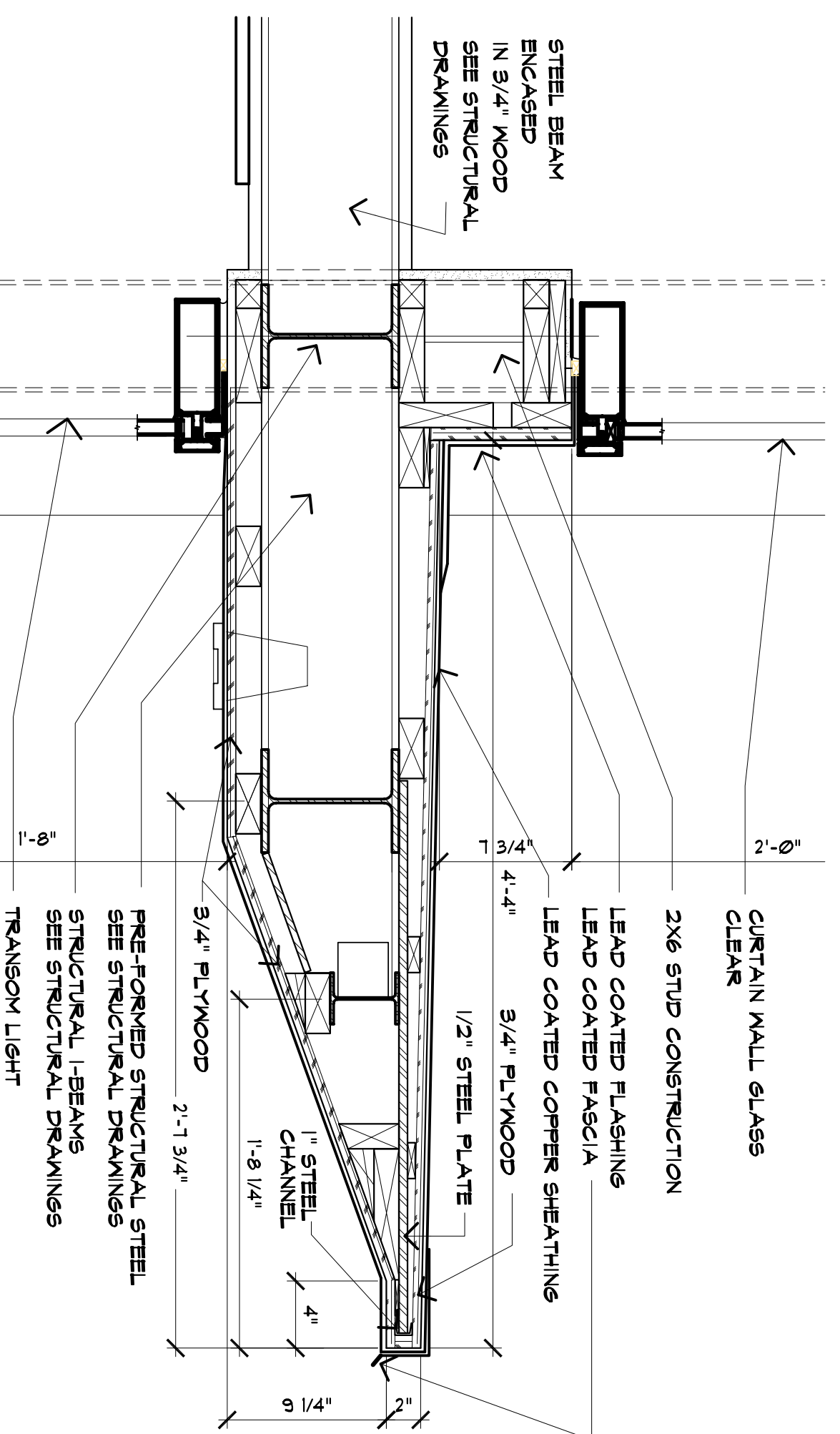
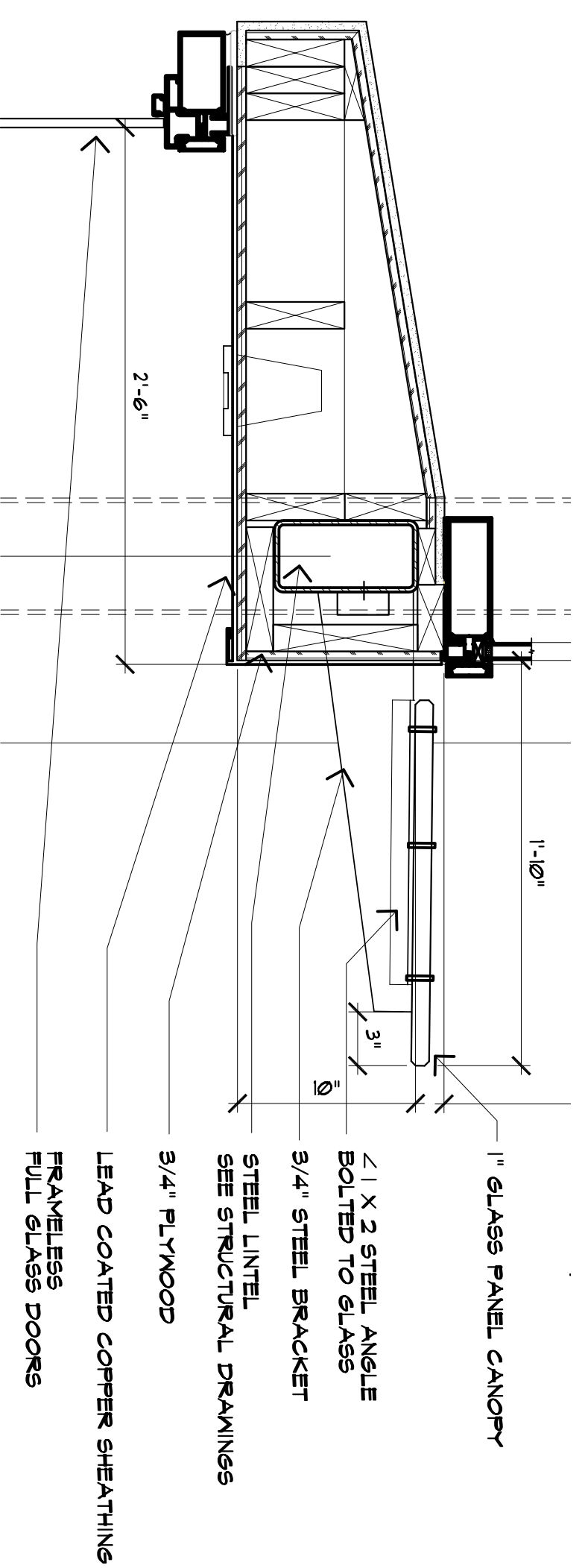


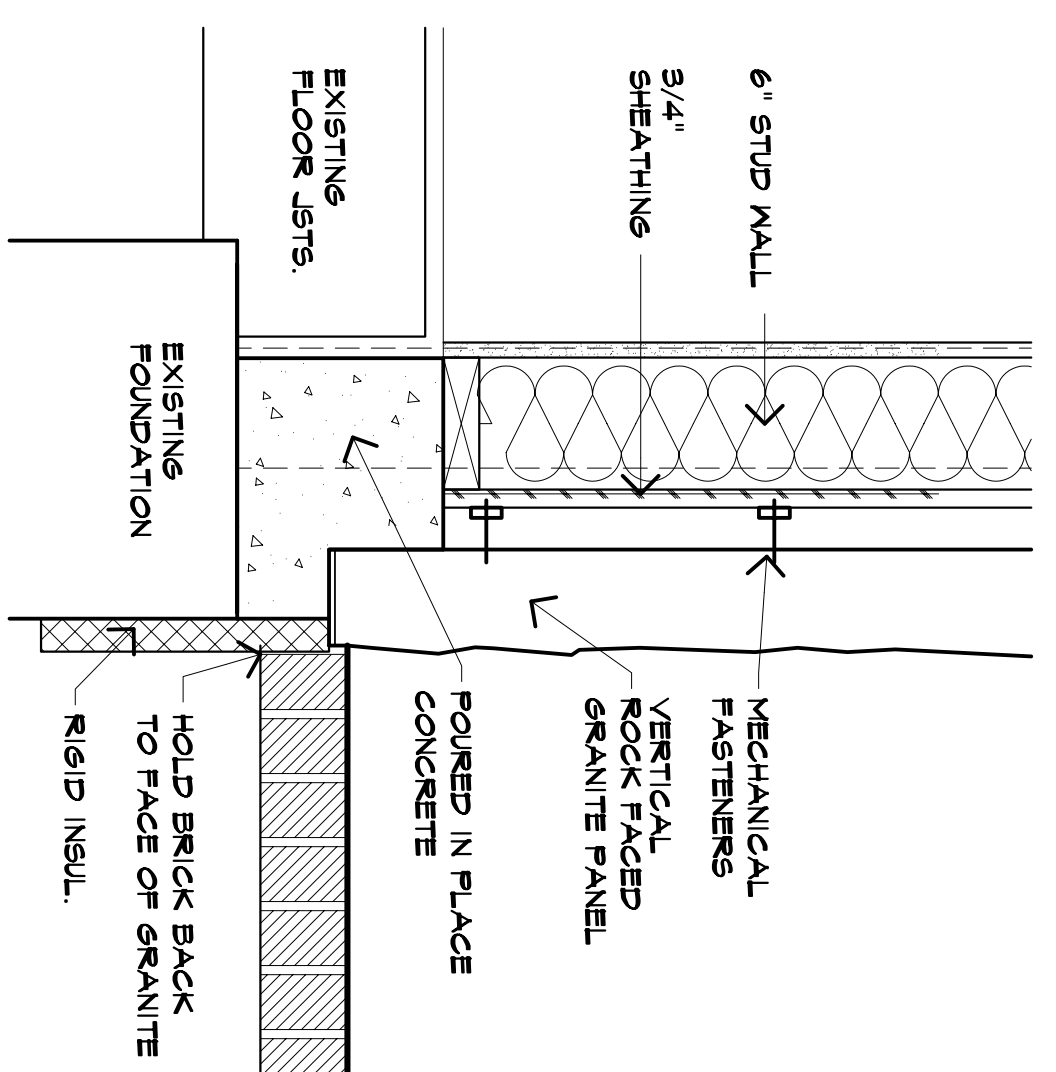
2.6 SECTION DETAIL @ CORNICE
SCALE: 1/2"=1'-0"



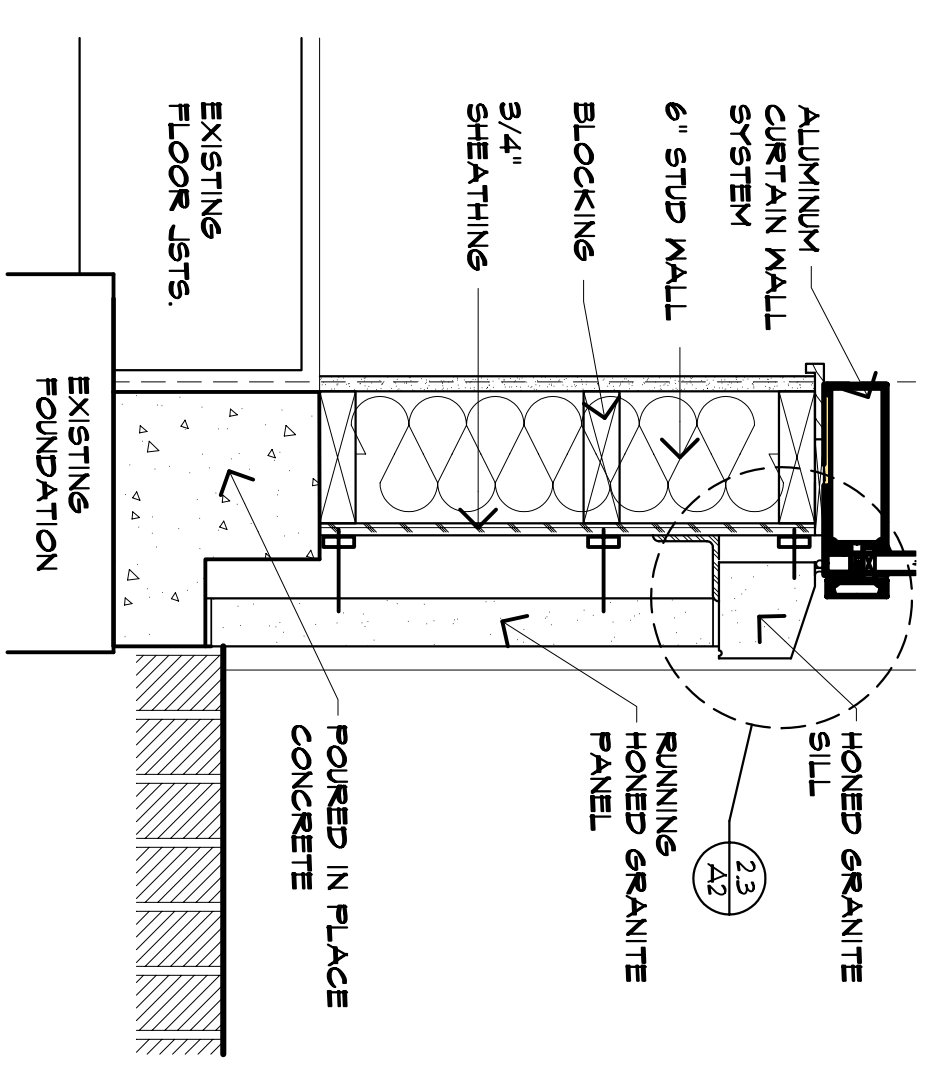
2.5 SECTION DETAIL @ LARGE CANOPY
SCALE: 1/2"=1'-0"



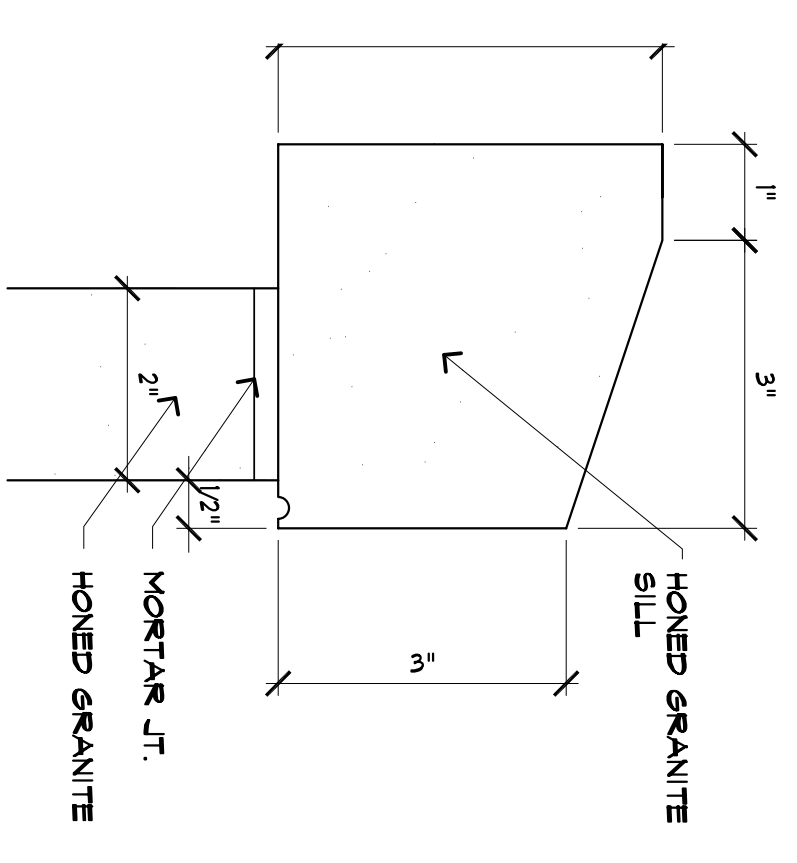
2.4 SECTION DETAIL @ GLASS CANOPY
SCALE: 1/2"=1'-0"



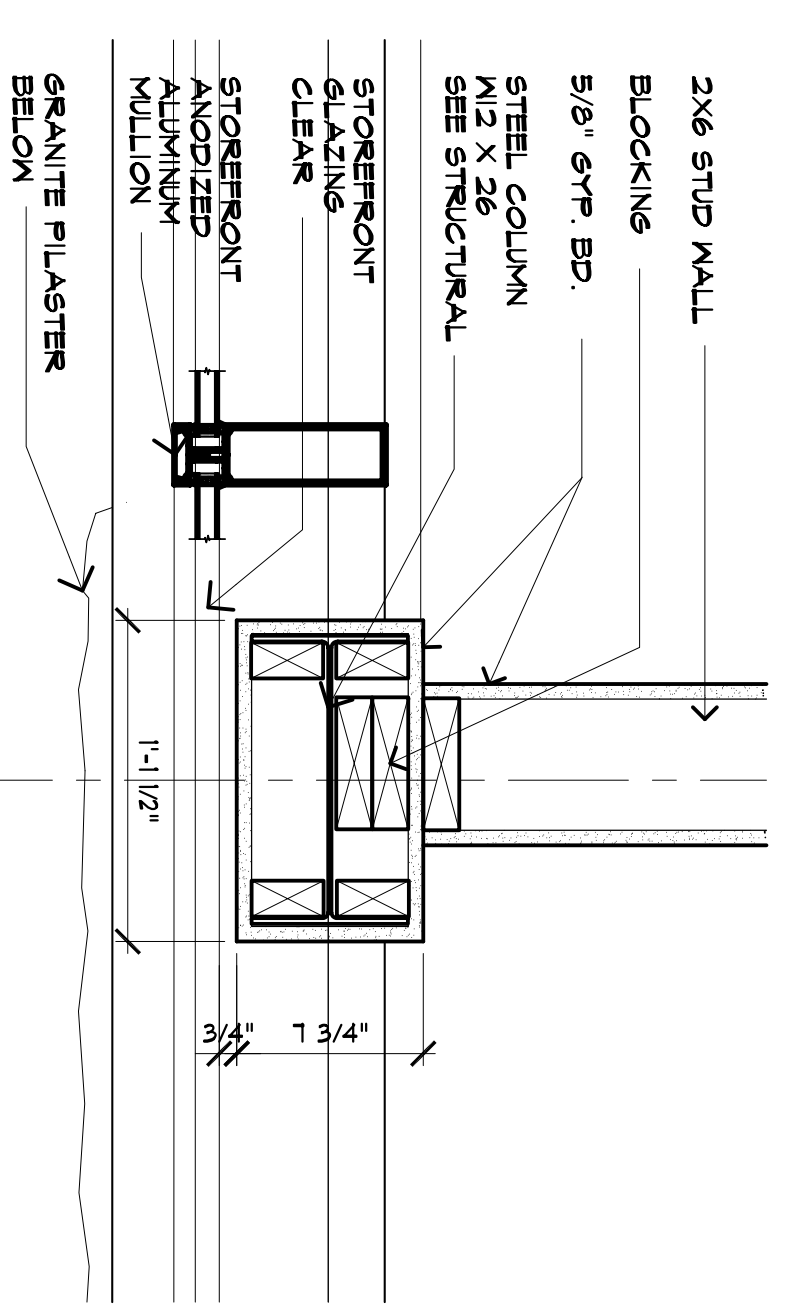
2.1 SECTION @ GRANITE PILASTER
SCALE: 1/2"=1'-0"



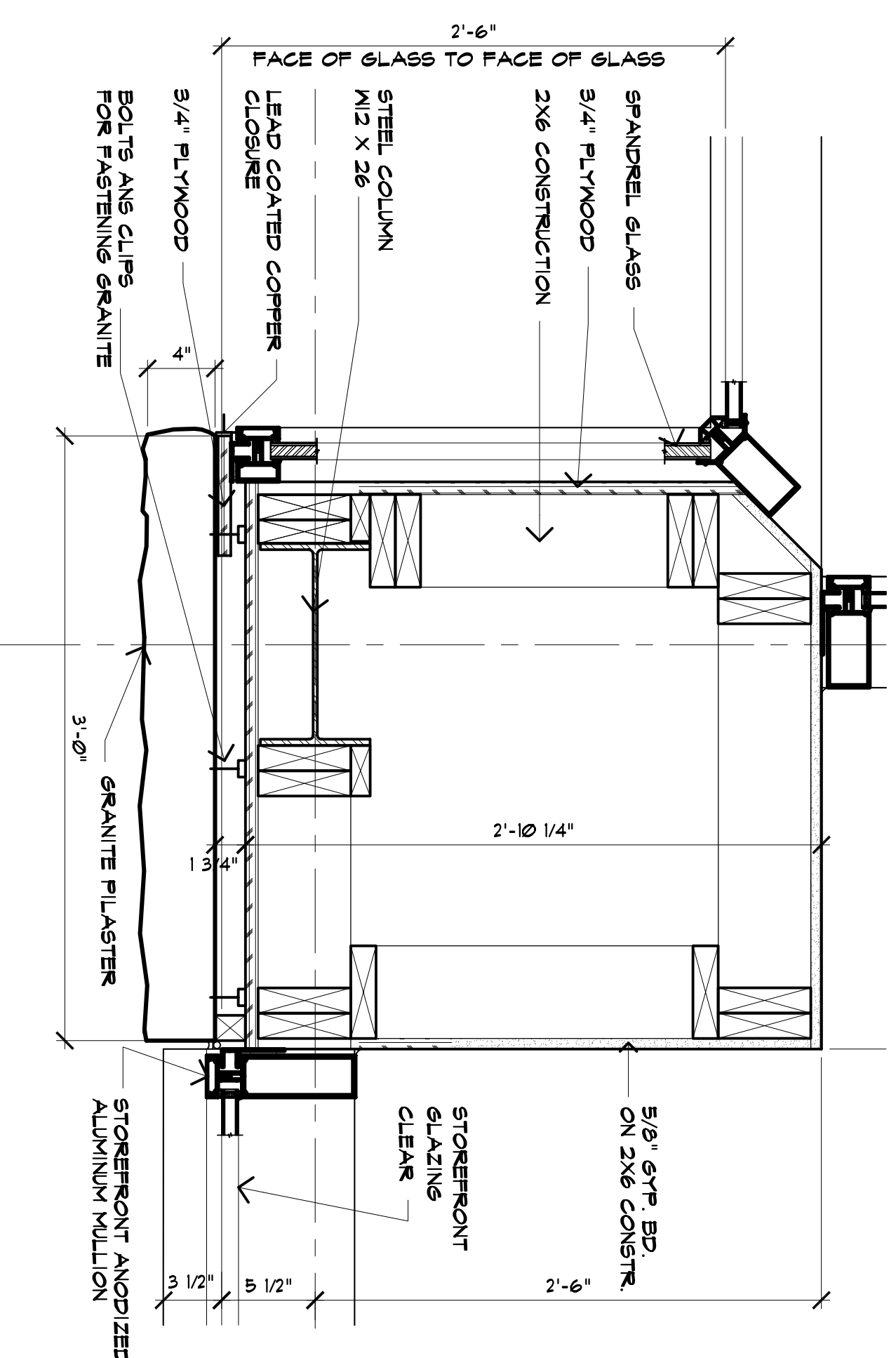
2.2 SECTION @ GRANITE BASE
SCALE: 1/2"=1'-0"



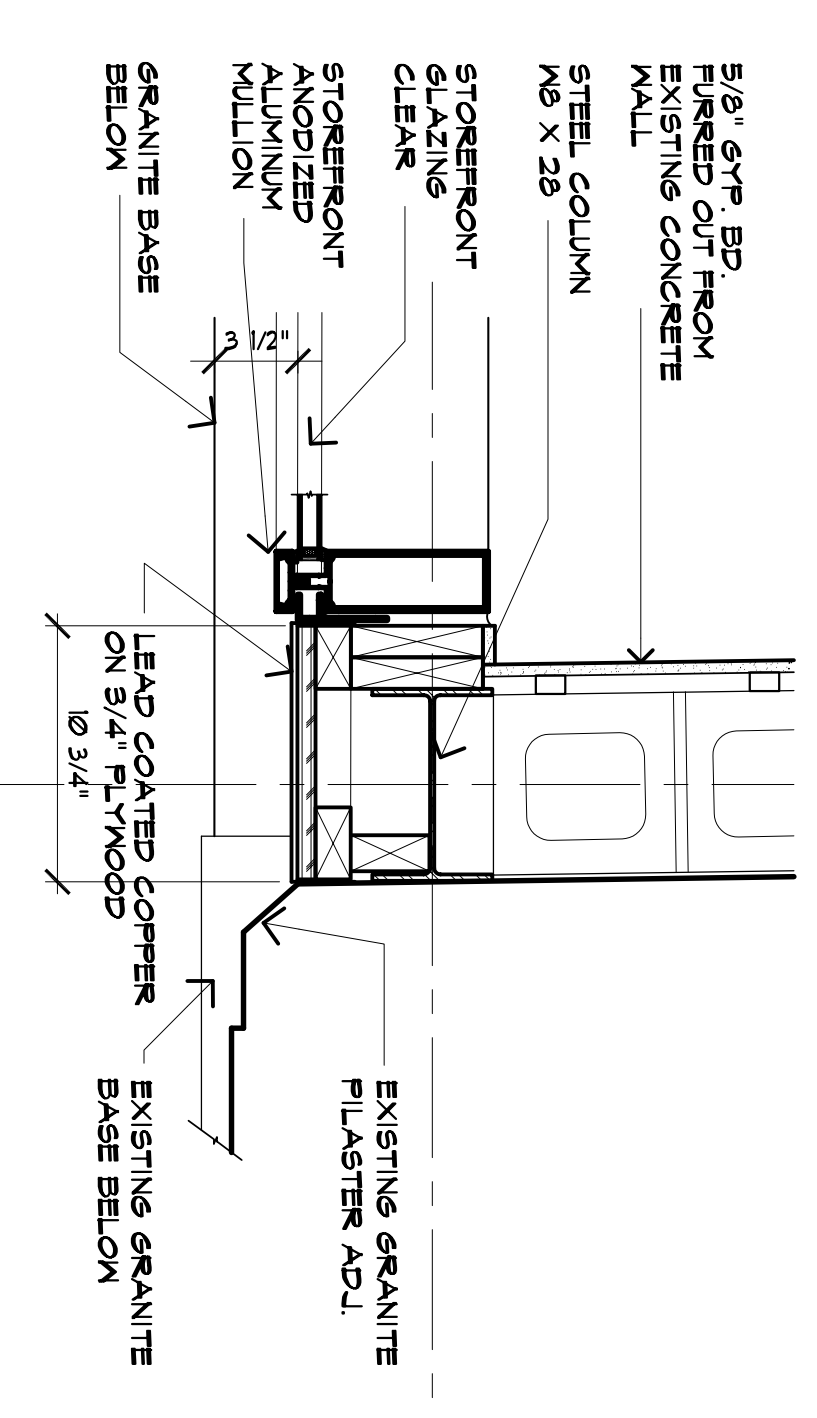
2.3 DETAIL @ GRANITE BASE
SCALE: 6"=1'-0"



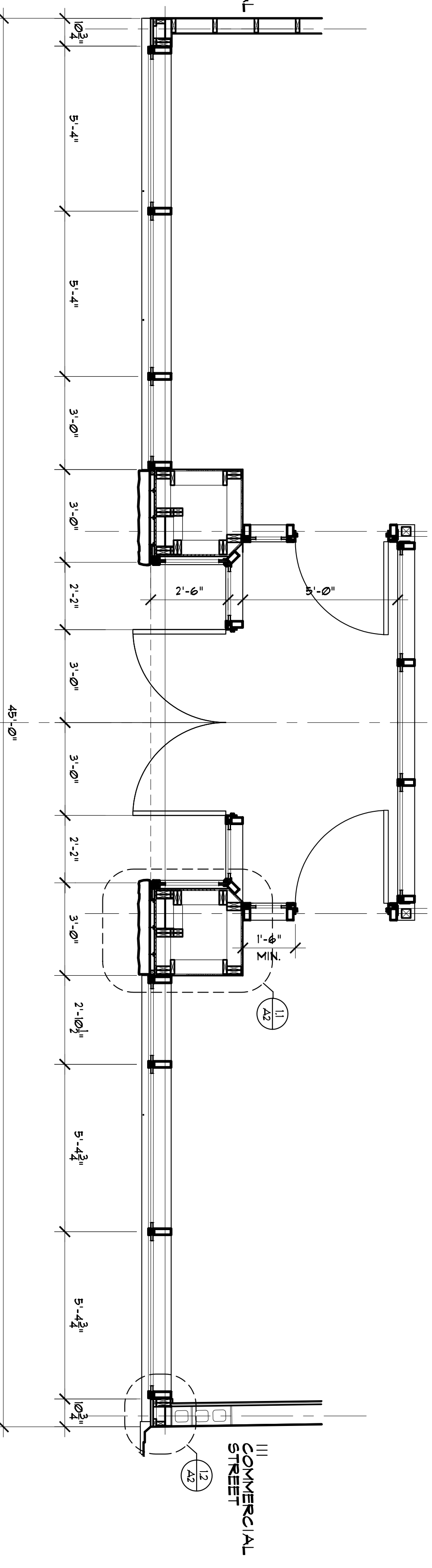
2.3 PLAN DETAIL @ COLUMN BEHIND GLASS
SCALE: 1/2"=1'-0"



2.11 PLAN DETAIL @ VERTICAL GRANITE
SCALE: 1/2"=1'-0"



2.3 PLAN DETAIL @ CORNER
SCALE: 1/2"=1'-0"



2.7 ENLARGED PLAN @ FRONT FACADE
SCALE: 3/8"=1'-0"

FACADE DETAILS

M A R K MUELLER ARCHITECTS AIA.

100 Commercial Street
Portland, Maine 04101
Phone: 207.774.9097
Fax: 207.773.9891
Email: mark@muel.com
br@brmoss.com

©COPYRIGHT
MARK MUELLER ARCHITECTS, LLC

REVISIONS
Apr. 14, 2005 Per Historic Preservation requests