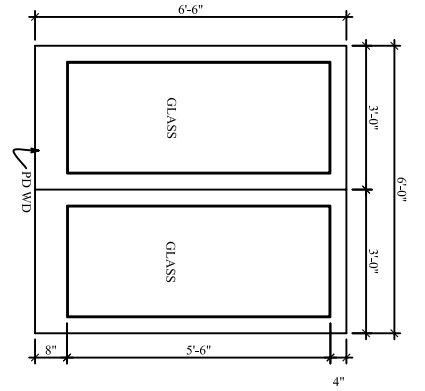
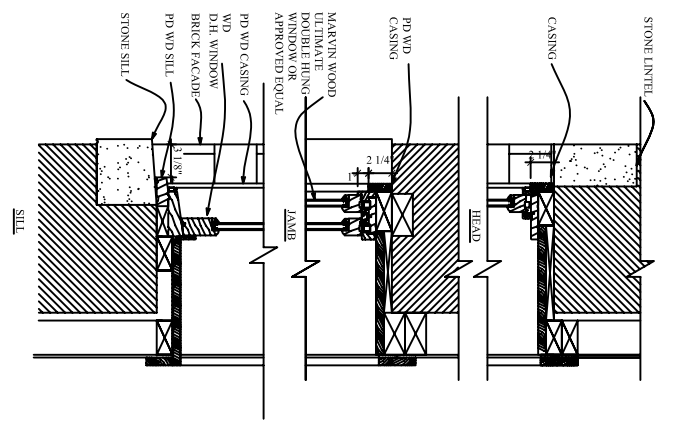


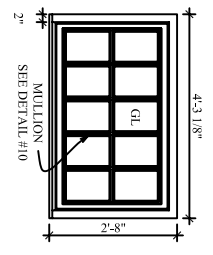
2 ELEC METER ENCLOSURE
N.T.S.



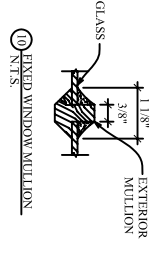
3 WOOD DOORS
N.T.S.



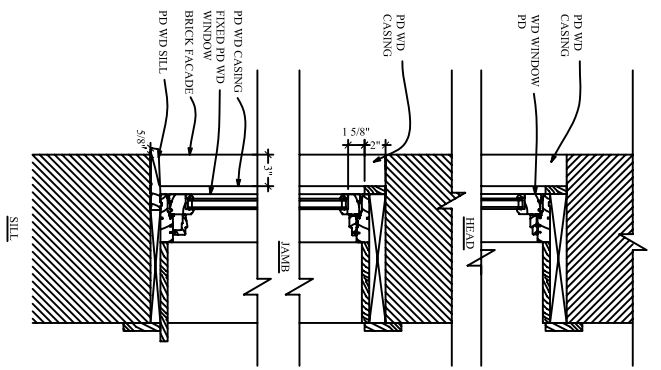
3 PROPOSED D.H. REPLACEMENT WINDOW
N.T.S.



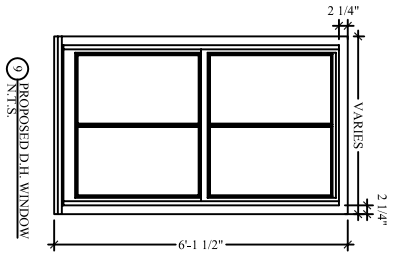
6 PROPOSED FIXED WINDOW
N.T.S.



10 FIXED WINDOW MULLION
N.T.S.



7 PROPOSED FIXED REPLACEMENT WINDOW
N.T.S.



5 PROPOSED D.H. WINDOW
N.T.S.

A-3.0	PROPOSED	Date 09 DEC. 2005	Scale AS NOTED	Project FORE STREET 320-324 FORE STREET PORTLAND, ME	OWNER: JERRY KNECHT PORTLAND, ME
	DETAILS	Revisions: 08 JAN. 2005 HISTORIC 10 March, 2006 ISSUED TO CONTRACTOR 14 March, 2006 ISSUED FOR PERMIT			