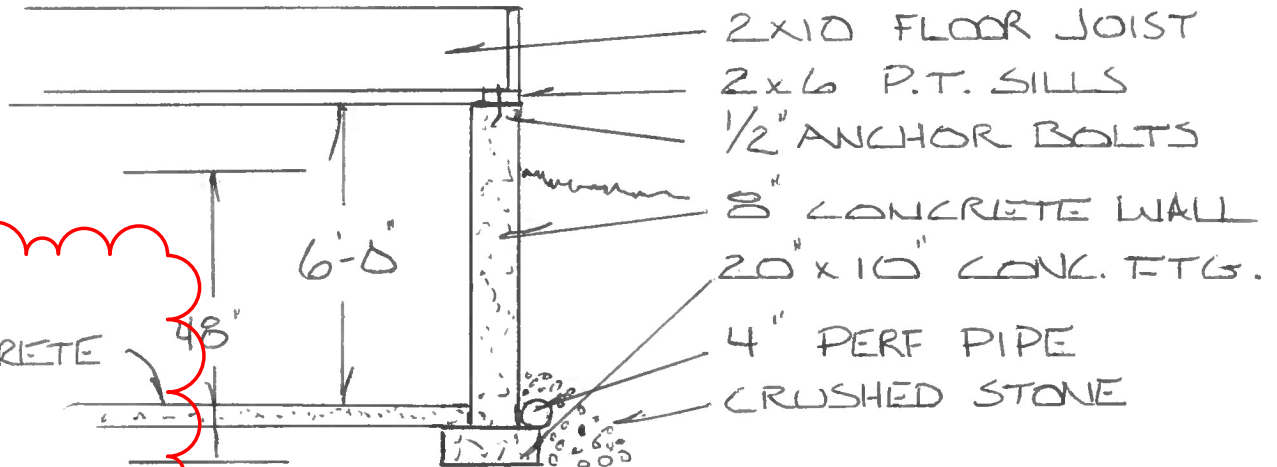


160 LEXINGTON AVE.

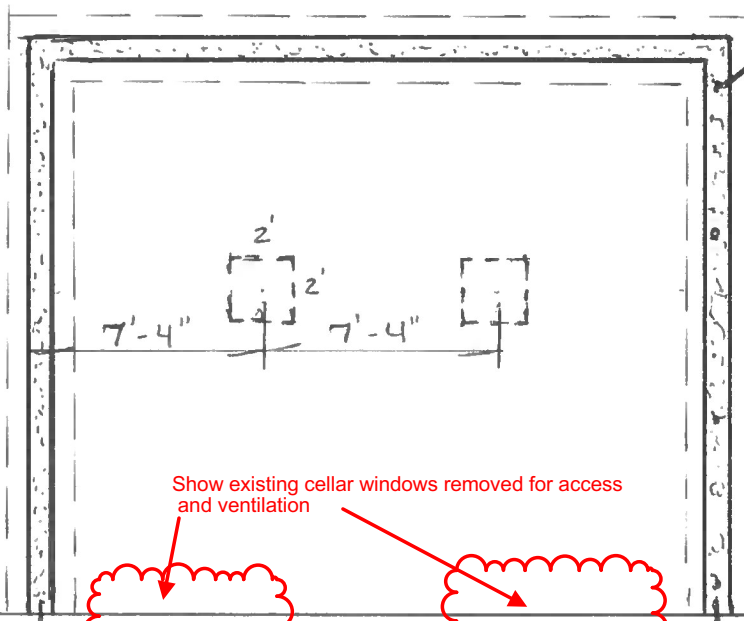
FOUNDATION PLAN



4" CONCRETE SLAB

Is this in fact the intent?

ANCHOR BOLTS, EVERY 6'



Show existing cellar windows removed for access and ventilation

EXISTING

6