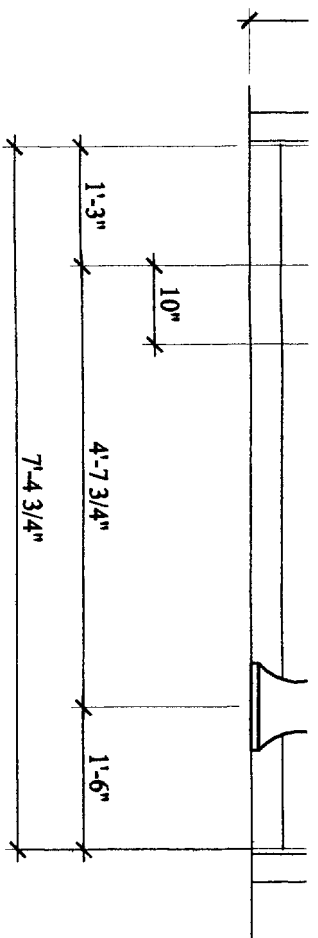
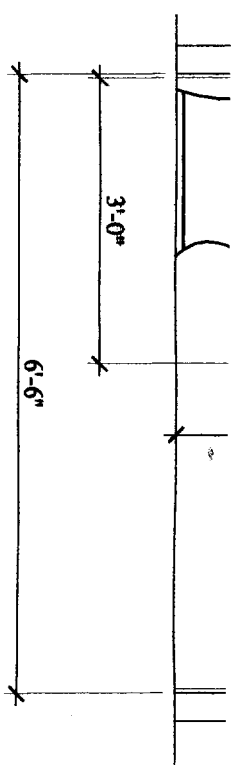


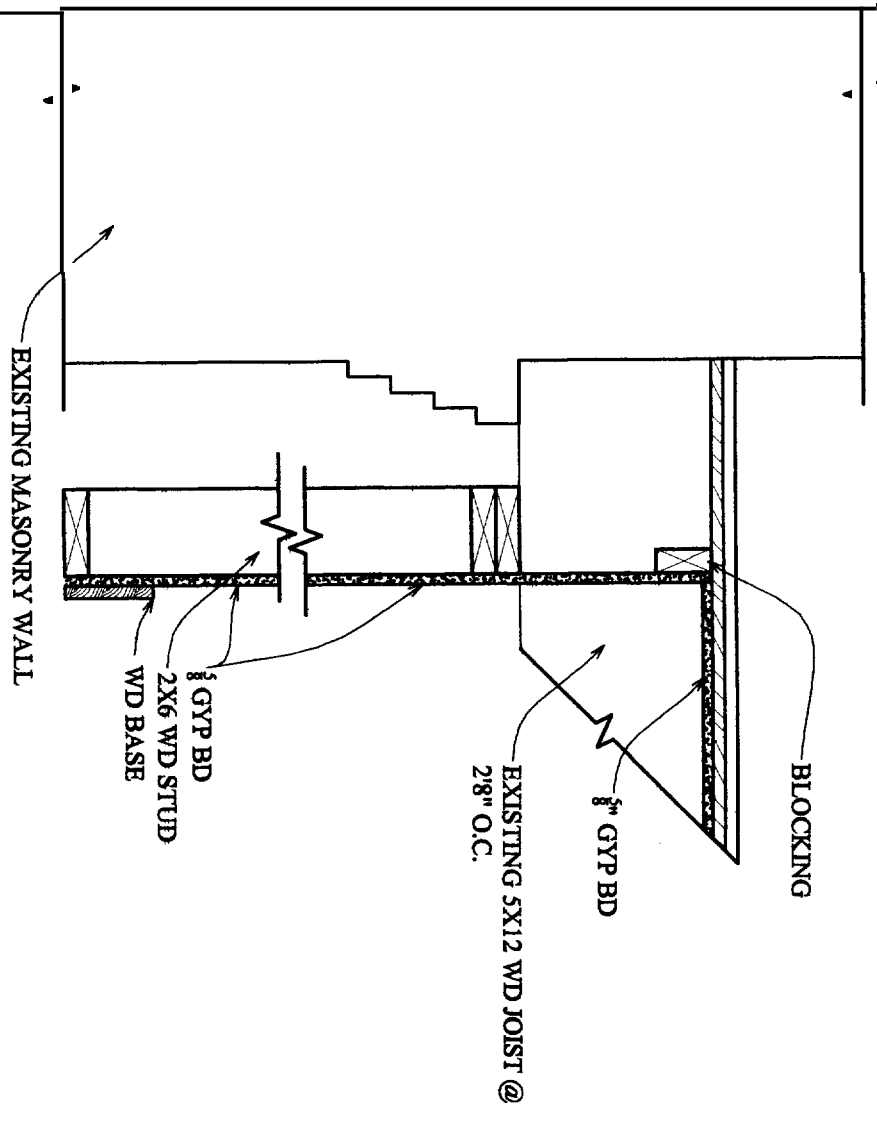
Ⓐ BATHROOM DETAIL  
SCALE: 1/2" = 1'-0"



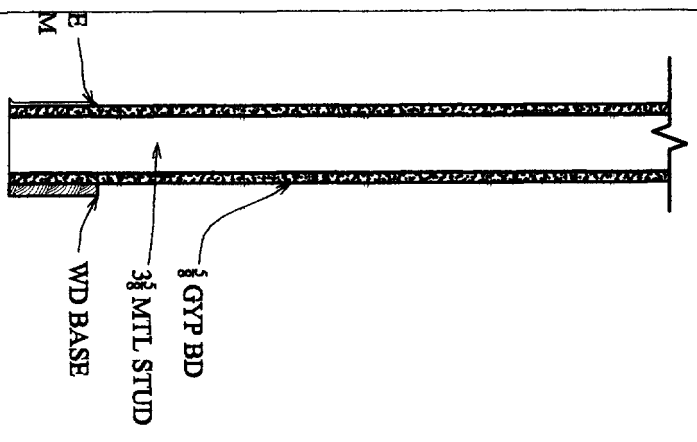
Ⓑ BATHROOM DETAIL  
SCALE: 1/2" = 1'-0"



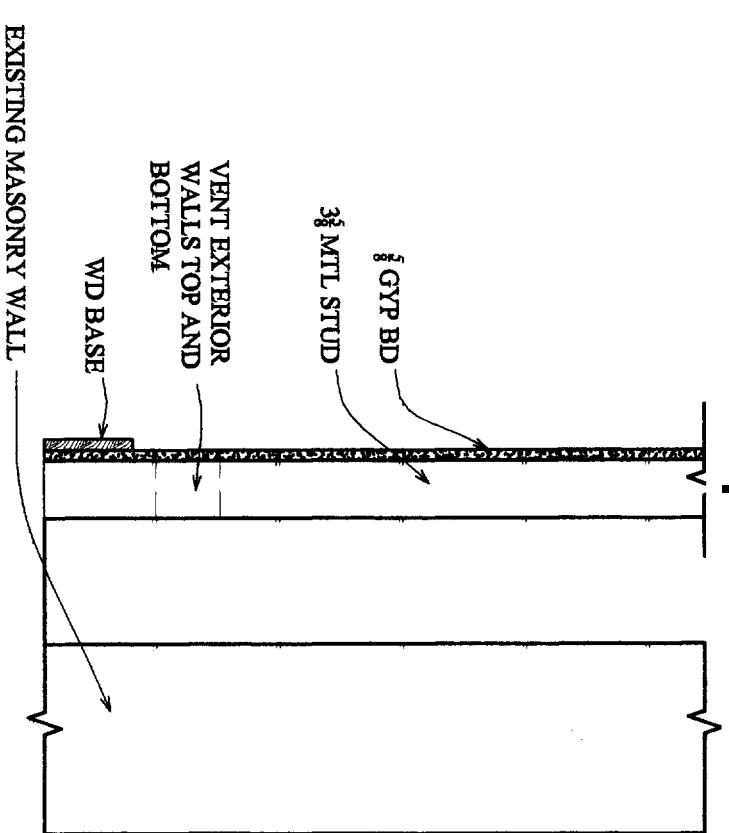
Ⓒ BATHROOM DETAIL  
SCALE: 1/2" = 1'-0"



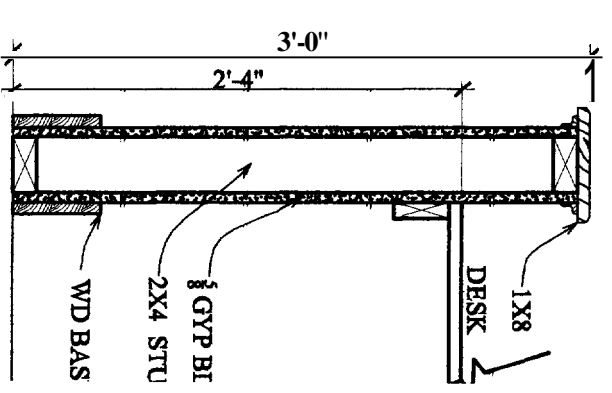
3 WALL DETAIL  
SCALE: 1" = 1'-0"



4 WALL DETAIL  
SCALE: 1" = 1'-0"

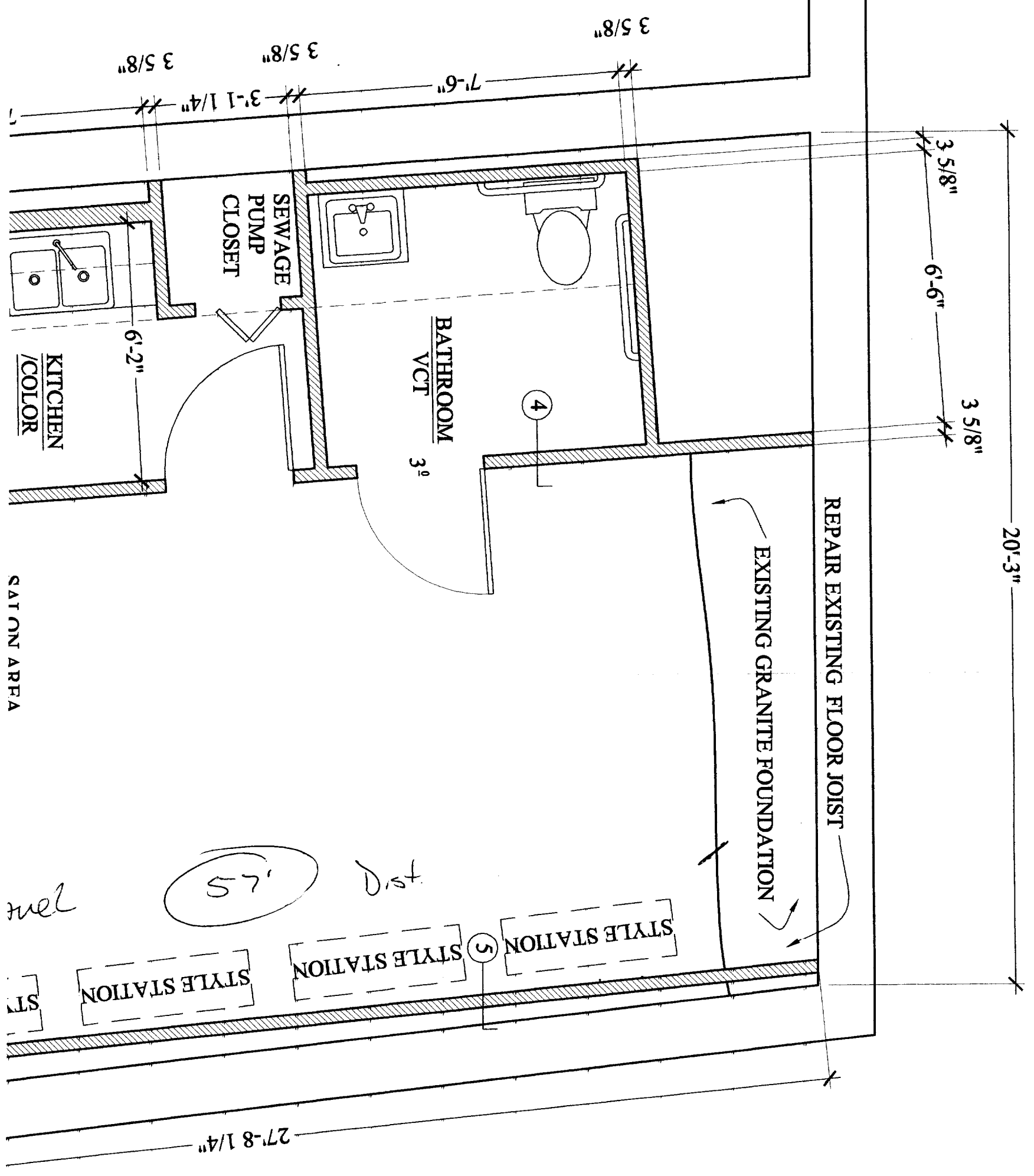


5 WALL DETAIL  
SCALE: 1" = 1'-0"



6 HALF WALL  
SCALE: 1" = 1'-0"

ODD FLOOR  
E12 FLOOR JOISTS



ARCHETYPE, P.A.  
ARCHITECTS

JERRY KNECHT  
BRENDA BRODER

Project:

Scale AS NOTED

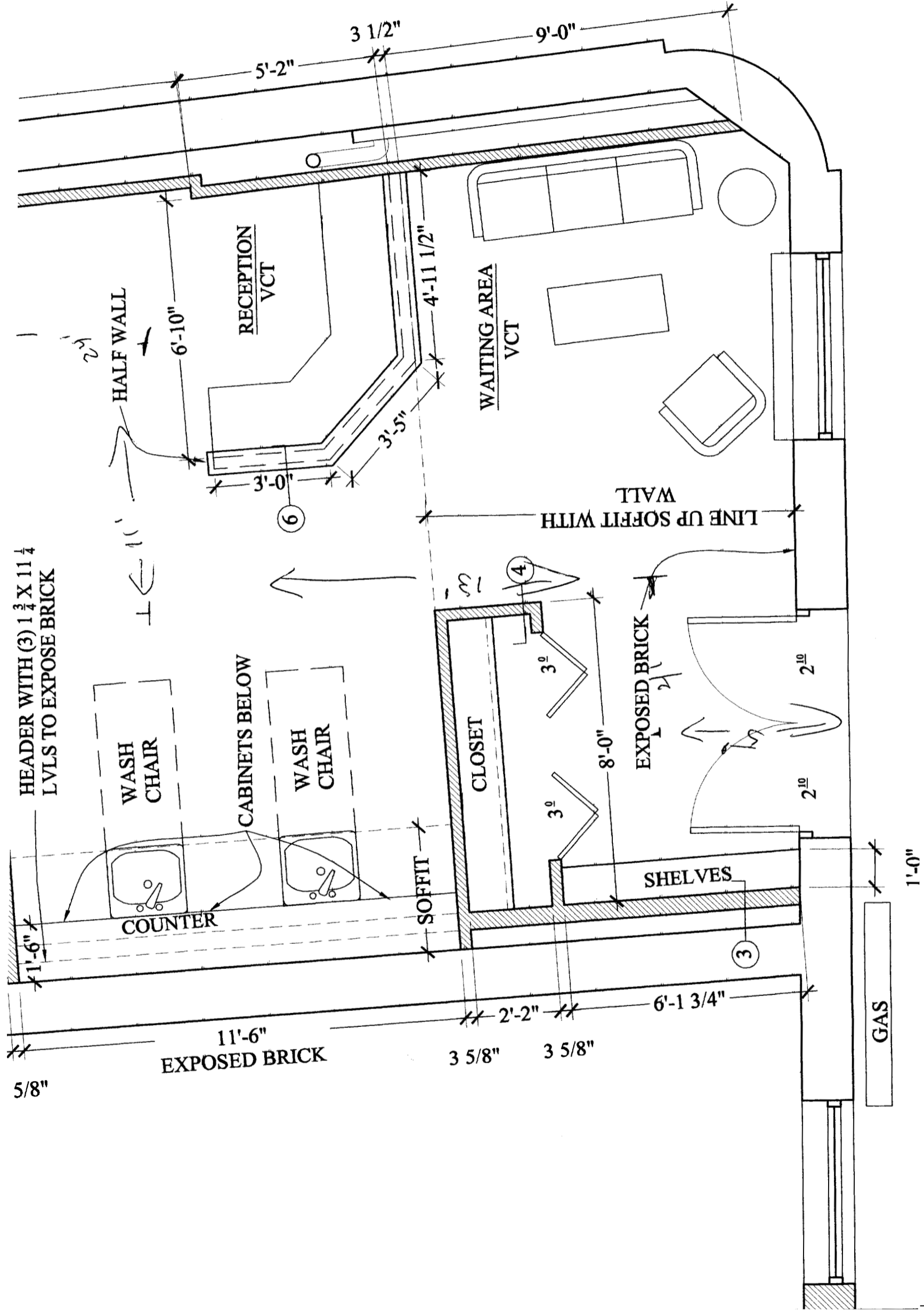
Date 26 JULY, 2006

Revisions: 01 Aug, 2006 PERMIT

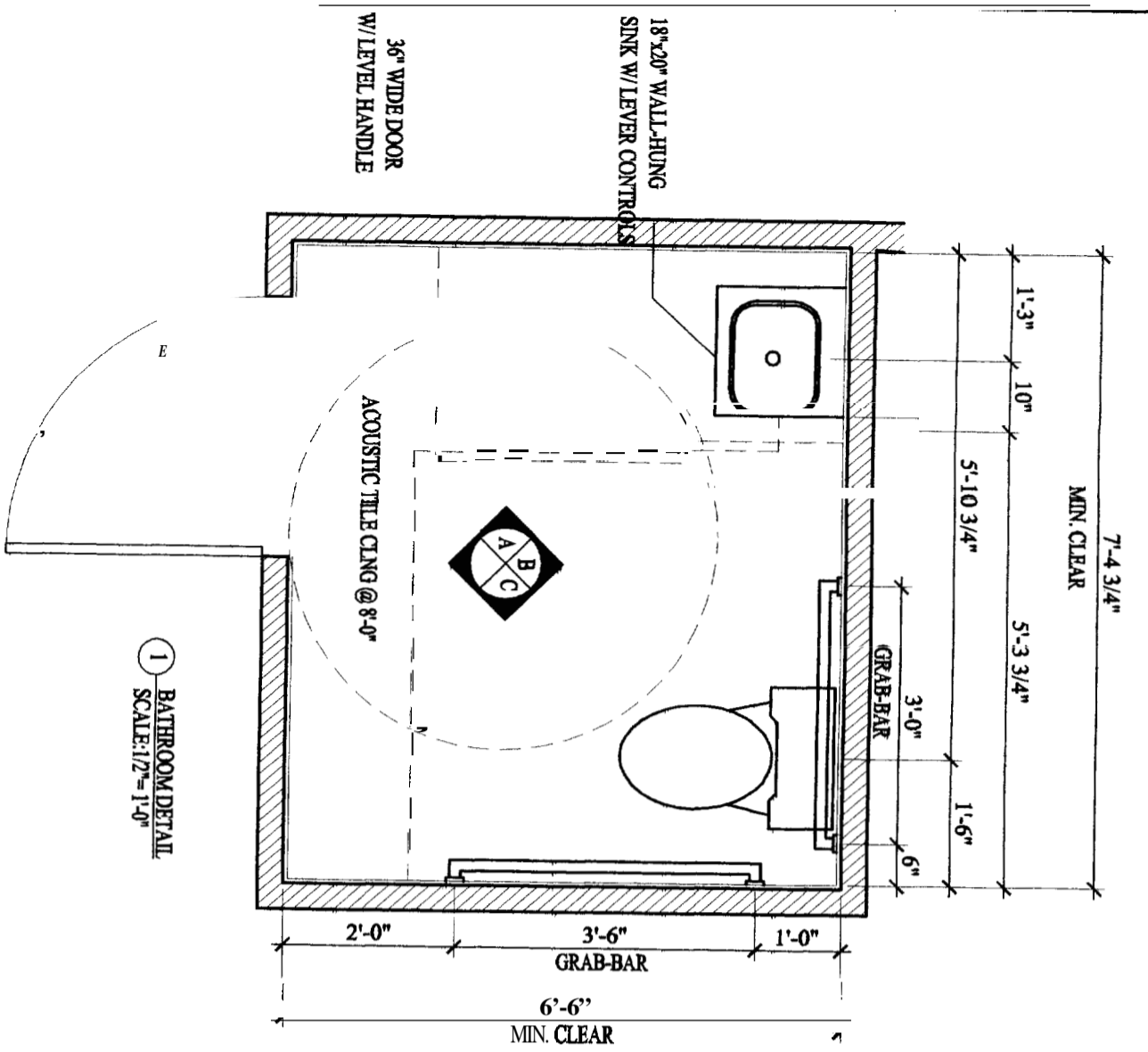
PROPOSED

BASEMENT  
FLR PLAN

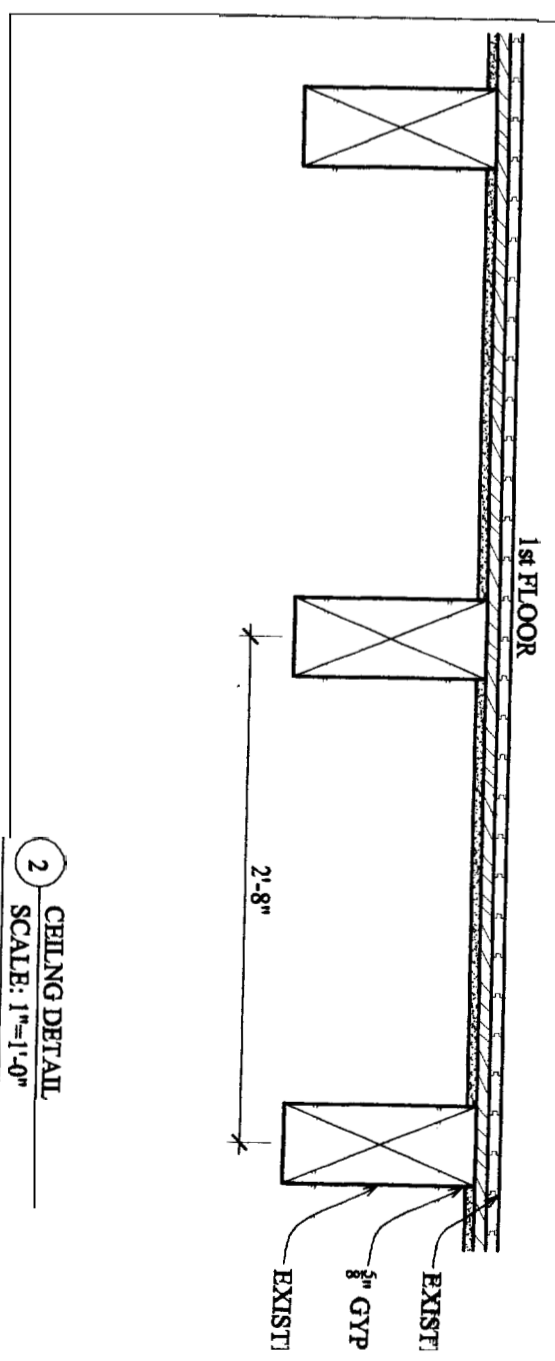
A-



7 BASEMENT FLOOR  
SCALE 3/8"=1'  
829.2 SQ FT



1 BATHROOM DETAIL  
SCALE: 1/2" = 1'-0"



2 CEILING DETAIL  
SCALE: 1" = 1'-0"

