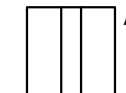
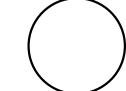
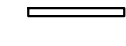
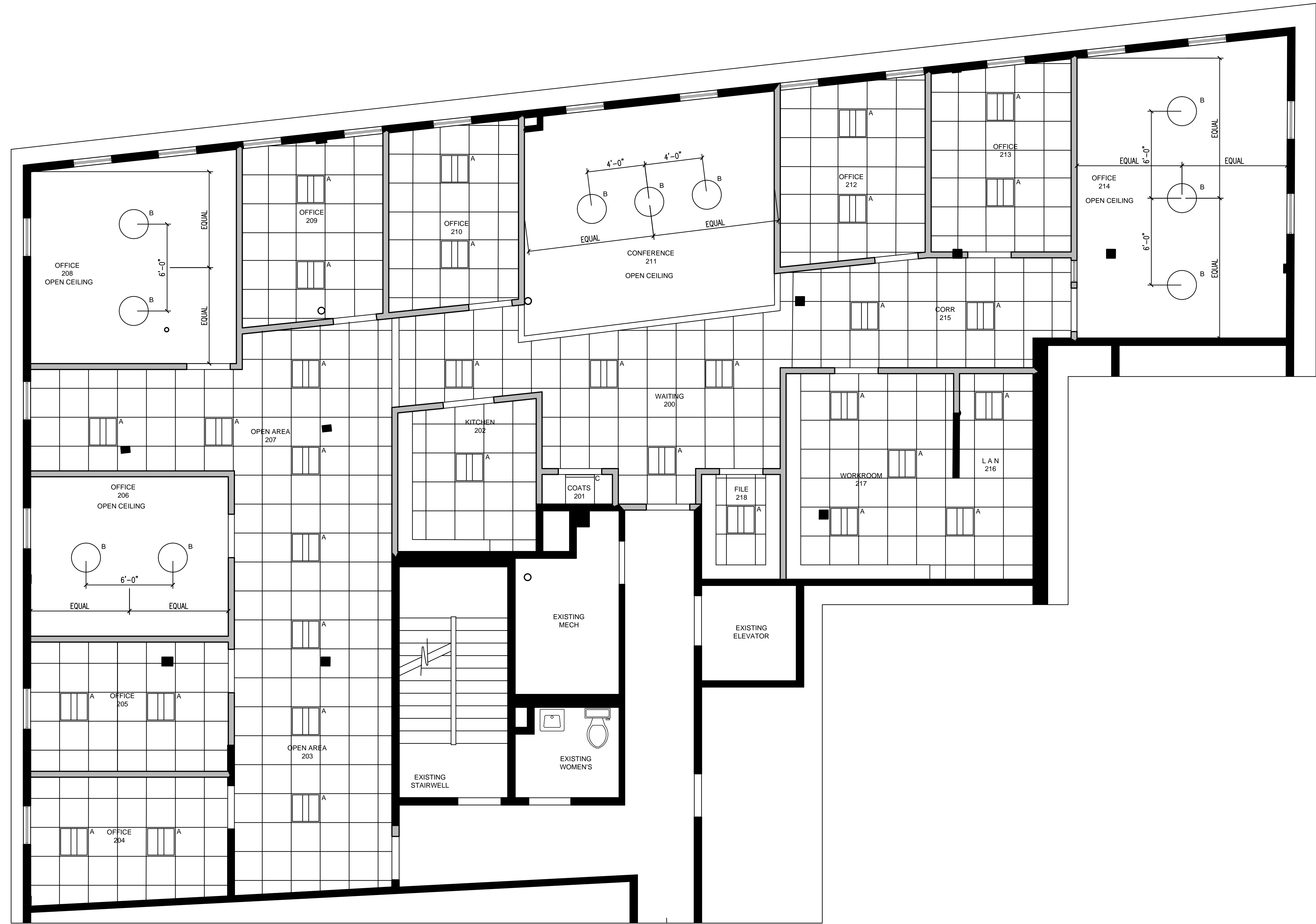
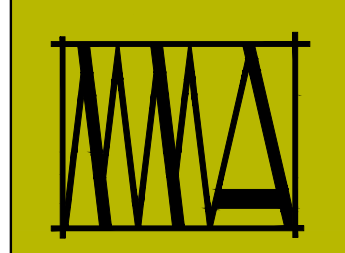
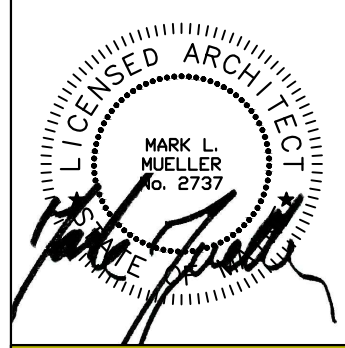


# LIGHTING LEGEND

-  A CREE ZR22 2'x2' LED TROFFER 3500K WITH DIMMER
-  B BROWNLEE 2070 LED 24" DIA. PENDANT LIGHTING FINISH AND DIFFUSER TO BE SELECTED BY CLIENT.
-  C WALL MOUNT LED CLOSET LIGHTING FIXTURE



**SECOND FLOOR REFLECTED CEILING PLAN**  
 1/4" = 1'-0"



**MARK MUELLER ARCHITECTS**  
 A.I.A.  
 100 Commercial Street  
 Suite 205  
 Portland, Maine 04101  
 Phone: 207.774.9057  
 Email: rfi@muellerarchitects.com

© COPYRIGHT 2014  
 MARK MUELLER ARCHITECTS

Interior Tenant Renovations:  
**SILVER STREET DEVELOPMENT GROUP**  
 2nd FLOOR, 4 MILK STREET  
 PORTLAND, MAINE 04101

**REFLECTED CEILING PLAN**

REVISIONS	DATE
	OCTOBER 2014
PROJECT	2ND FLOOR OFFICE 4 MILK STREET
DRAWN BY	JME
CHECK BY	MJM

PERMIT SET: OCTOBER 31, 2014

**A-1.2**