

NEW STORE

**ATHLETA**

GAP INC.  
CORPORATE ARCHITECTURE  
1 HARRISON STREET  
SAN FRANCISCO, CA 94105

STORE NO.: 7641

STORE NAME:  
PORTLAND

STORE LOCATION:  
152 MIDDLE STREET  
PORTLAND, ME 04101

PROJ. I.D.: 0000053405

PROTOTYPE DATE: 09/4/15  
PROTOTYPE VERSION 4.1

NOT USED

SCALE: 1" = 1'-0"

12

NOT USED

SCALE: 1/2" = 1'-0"

9

NOT USED

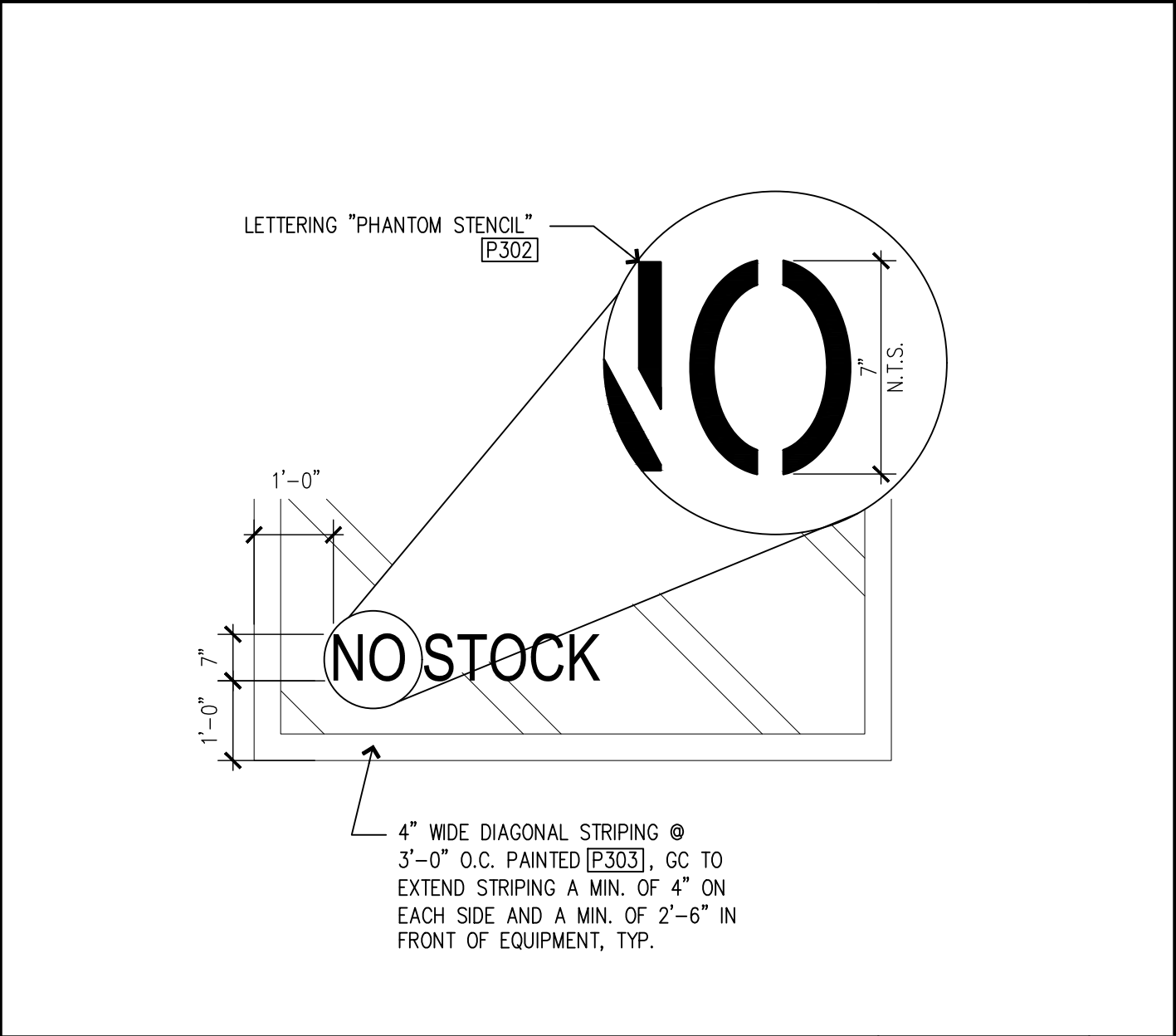
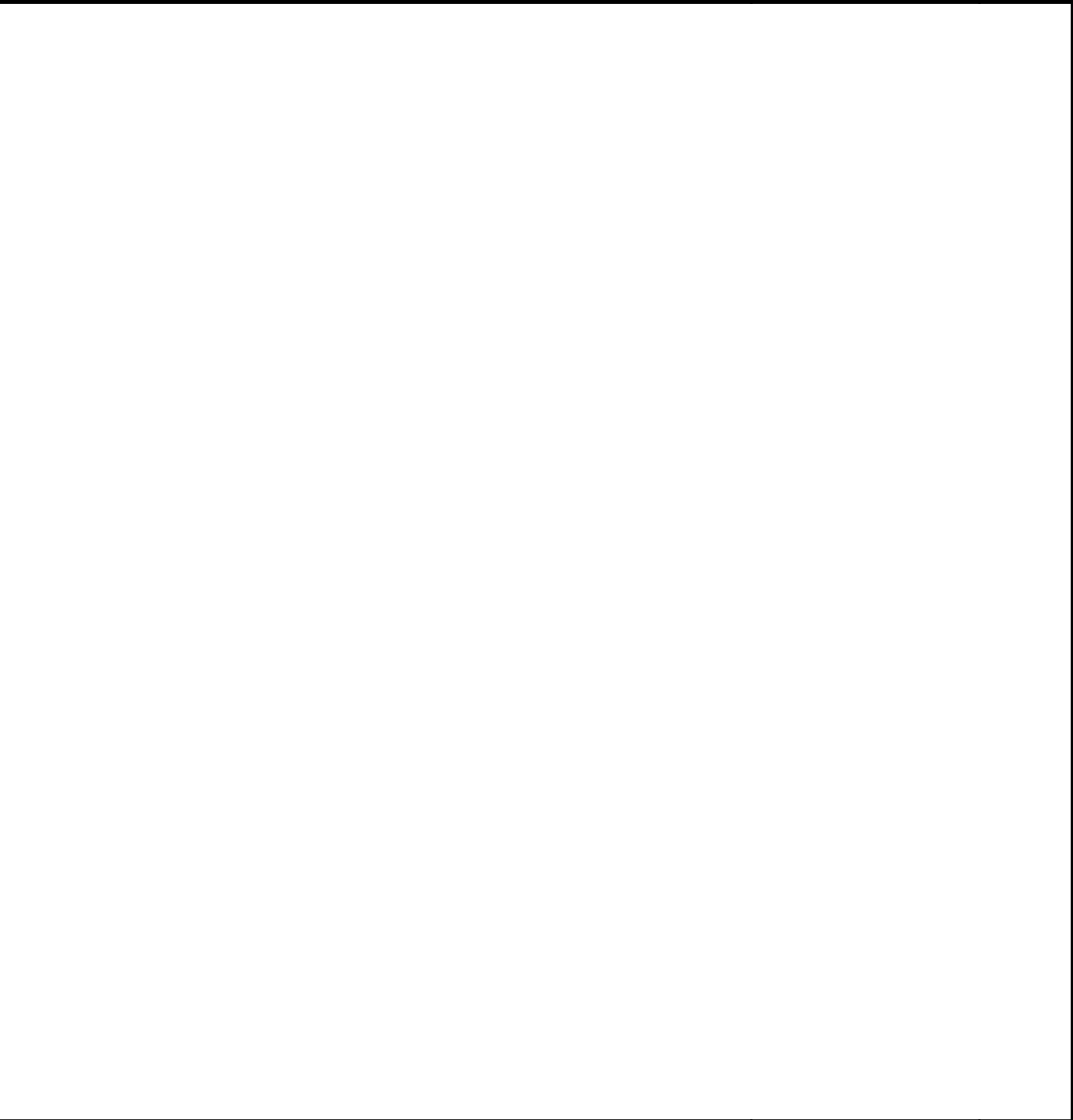
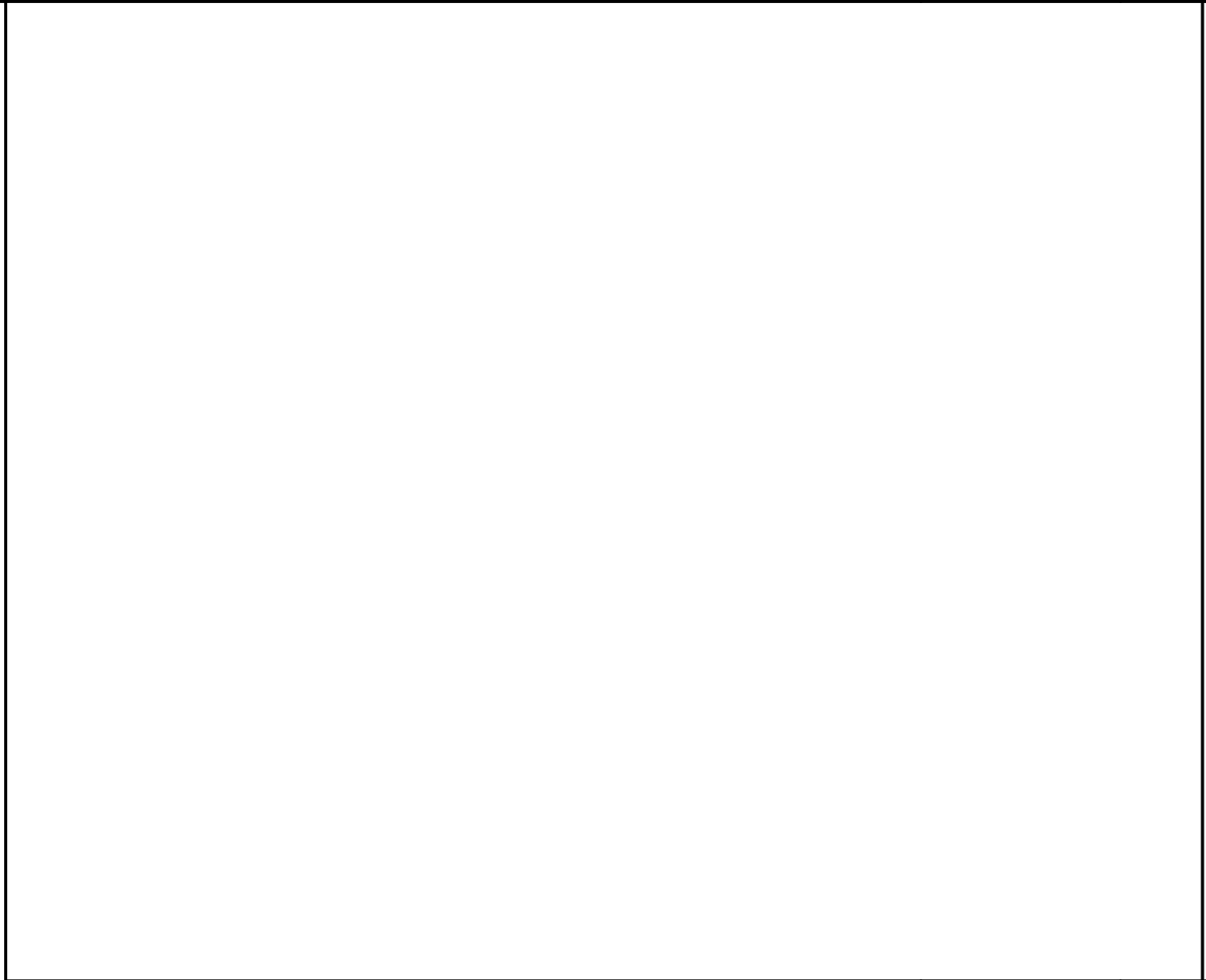
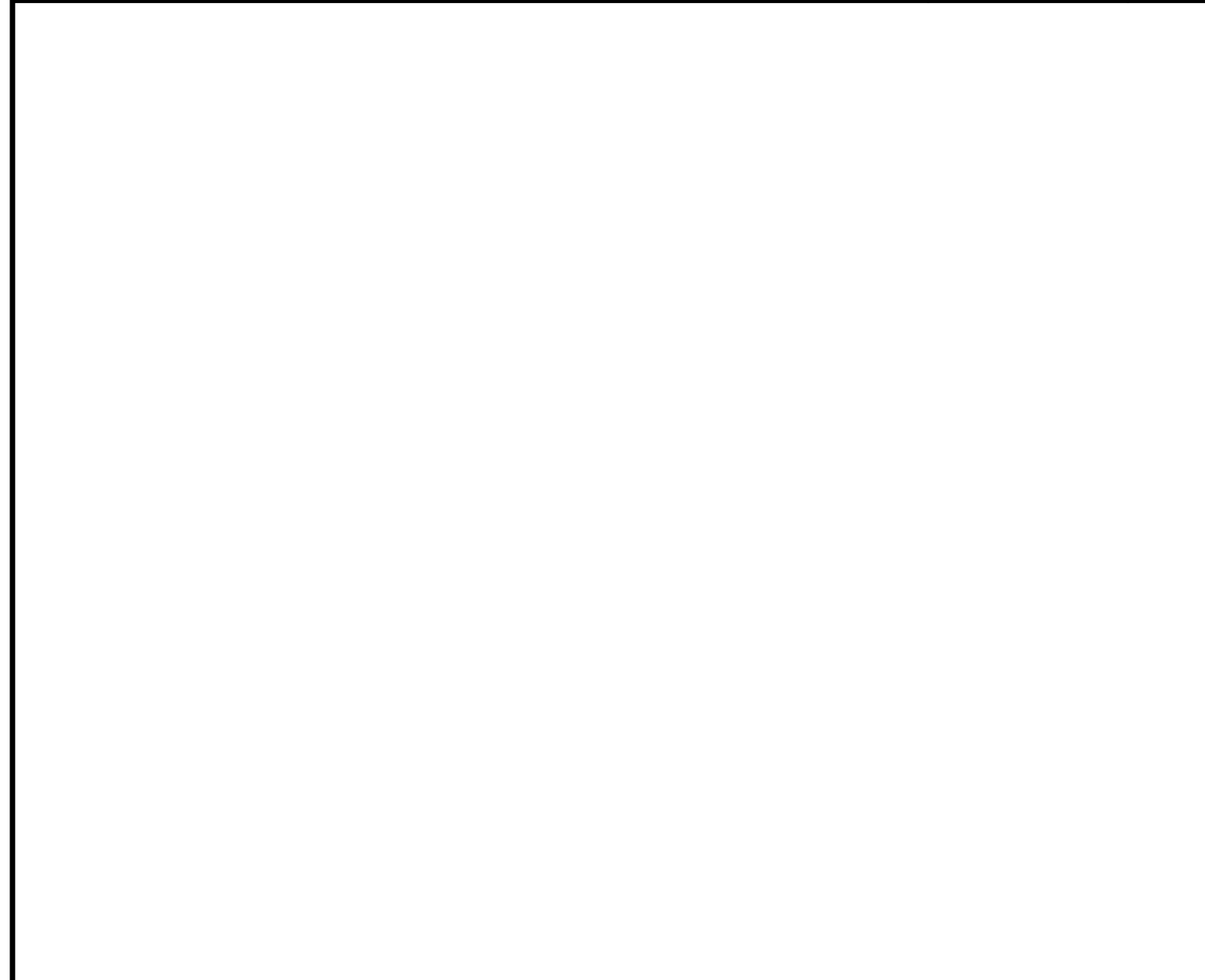
SCALE: 1" = 1'-0"

6

MIRROR AND MOUNTING DETAIL WITH STANDARDS

SCALE: 1/2" = 1'-0"

3



CONSULTANT INFO:

PROFESSIONAL STAMP:

ARCHITECT INFO:

HEREBY CERTIFY THAT THESE PLANS HAVE BEEN PREPARED IN MY OFFICE AND UNDER MY SUPERVISION AND THAT TO THE BEST OF MY KNOWLEDGE, THE SAME COMPLY WITH ALL LAWS, RULES, REGULATIONS AND ORDINANCES OF PORTLAND, ME RELATING TO STRUCTURES AND BUILDINGS.

ISSUE TYPE:  
100% CD CHECKSET 5/20/16  
PERMIT / BID  
LL APPROVAL

DRAWN BY: NR  
A&E JOB NO.: 16-5433

SHEET TITLE:  
MISCELLANEOUS DETAILS

SHEET NUMBER:  
A7-1

NOT USED

SCALE: 3" = 1'-0"

8

NOT USED

SCALE: 6" = 1'-0"

5

NOT USED

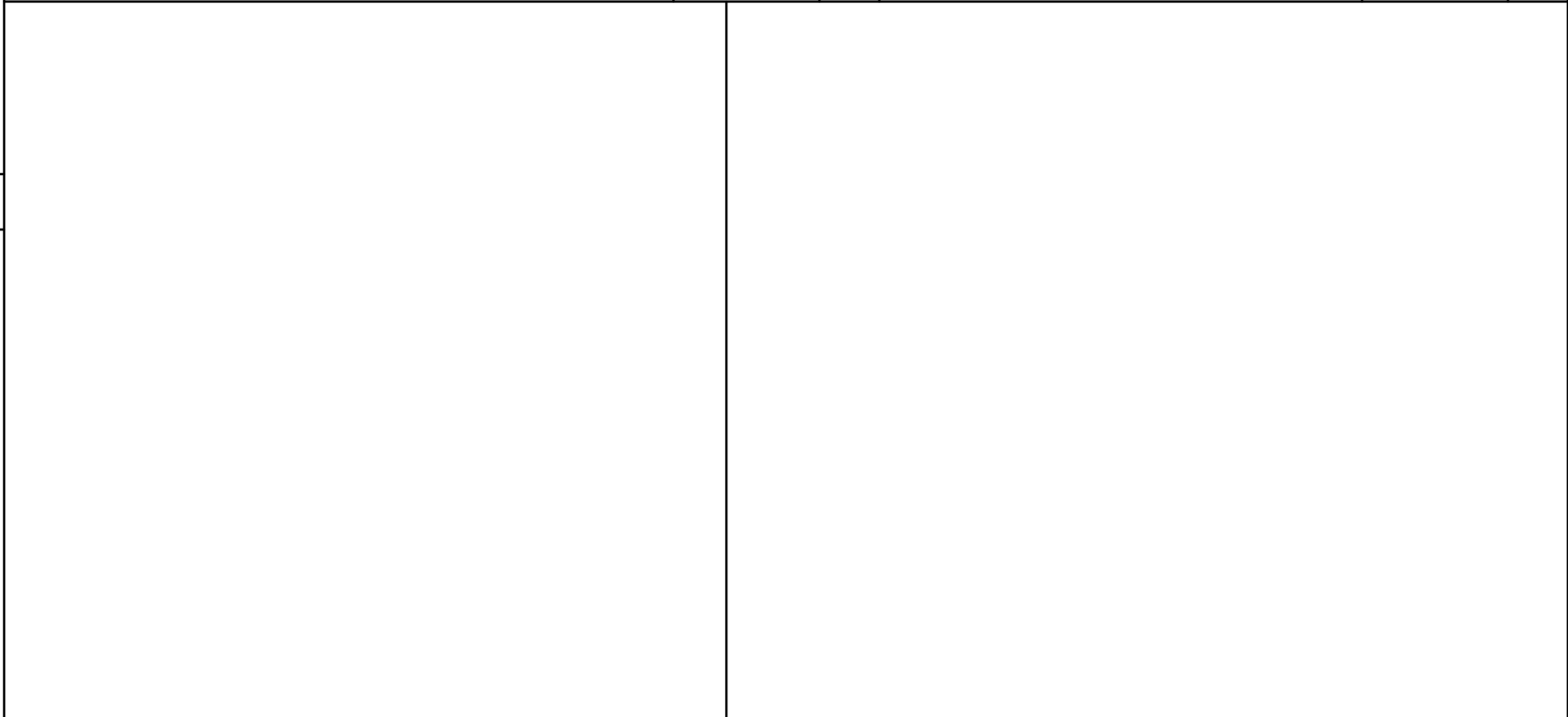
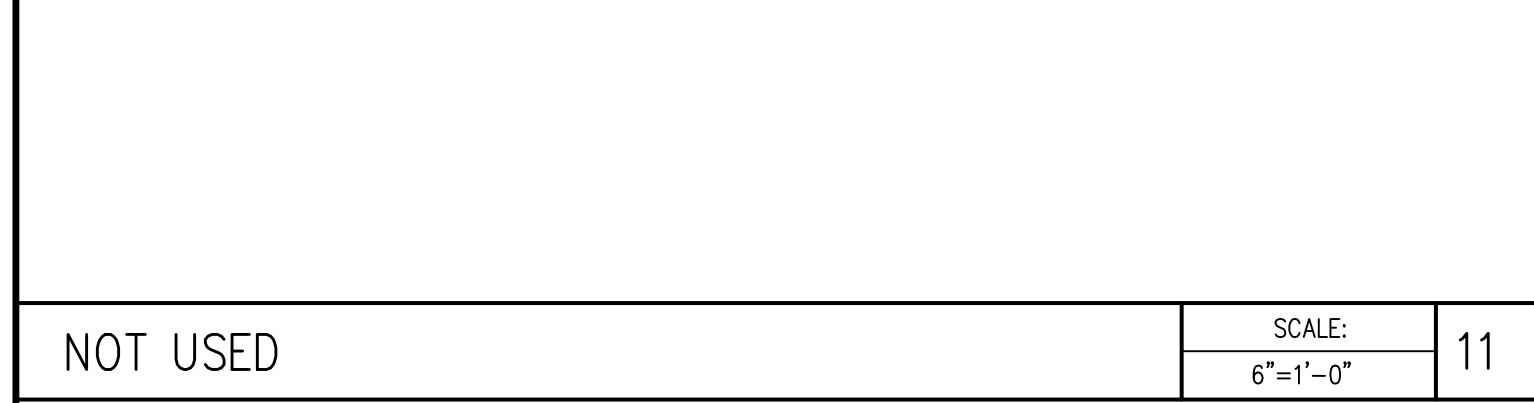
SCALE: 1/2" = 1'-0"

2

FLOOR STRIPE DETAIL

SCALE: 1/2" = 1'-0"

2



NOTE TO GC:  
WHERE POSSIBLE, STOP FRONT WALL OF MOP SINK CLOSET AT 6" ABOVE DOOR FRAME TO ALLOW FOR ACCESS TO WATER HEATER ABOVE WALL FROM OUTSIDE OF MOP SINK CLOSET.

SCALE: 3/4" = 1'-0"

1



WATER HEATER SUPPORT

SCALE: 3/4" = 1'-0"

1

NOT USED

SCALE: 3" = 1'-0"

10

NOT USED

SCALE: 1/2" = 1'-0"

7

NOT USED

SCALE: 1 1/2" = 1'-0"

4

WATER HEATER SUPPORT

SCALE: 3/4" = 1'-0"

1