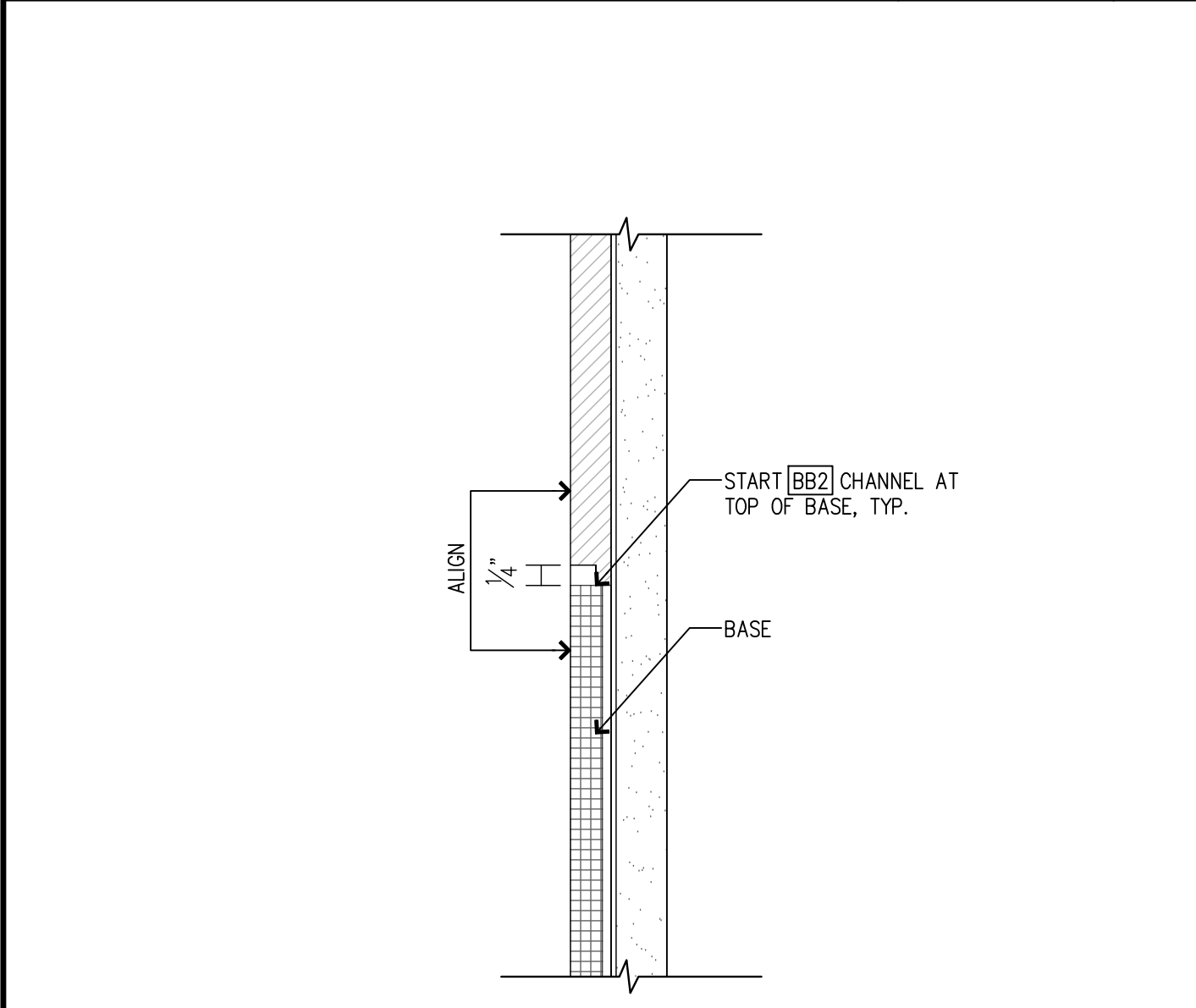
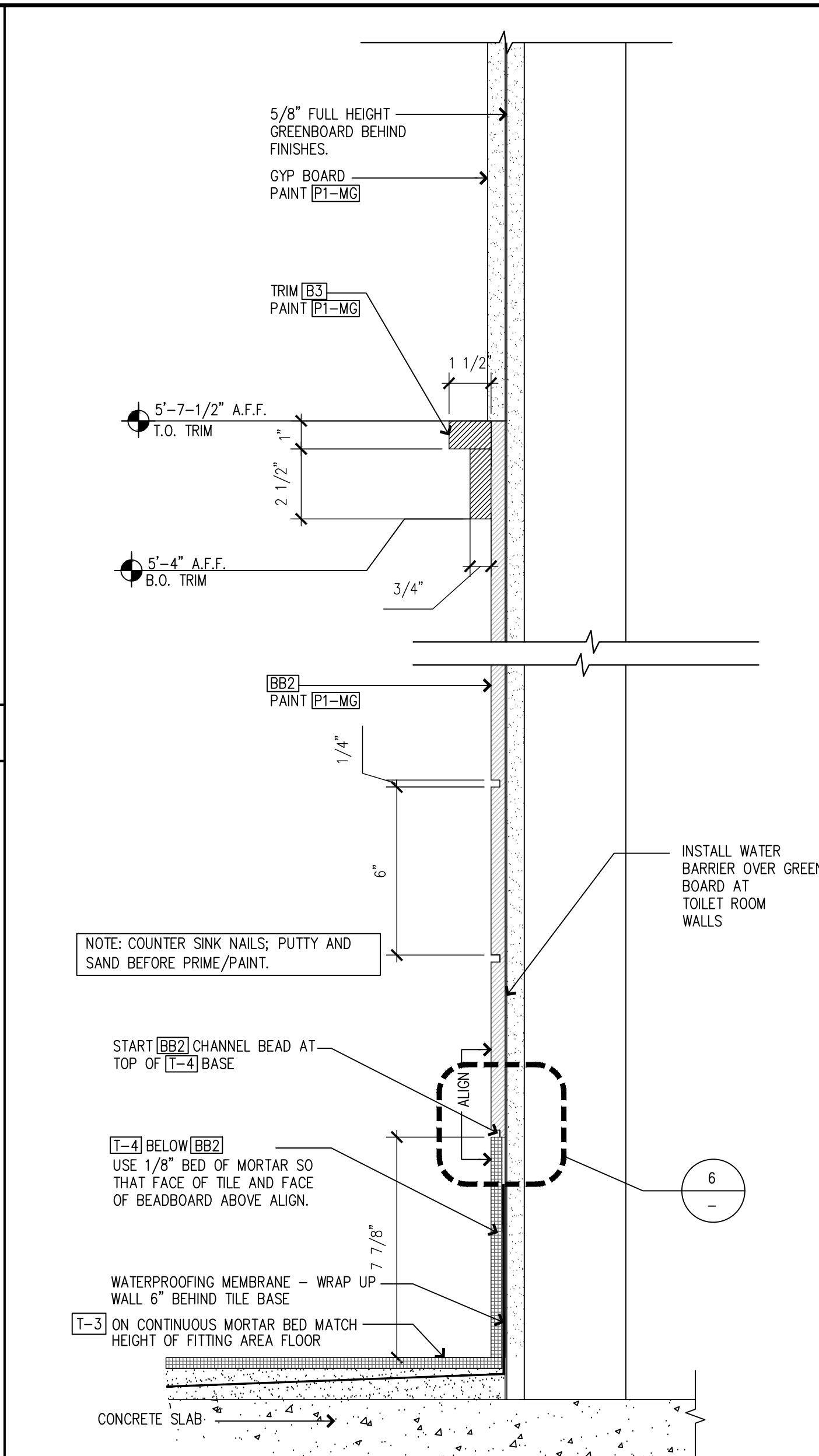


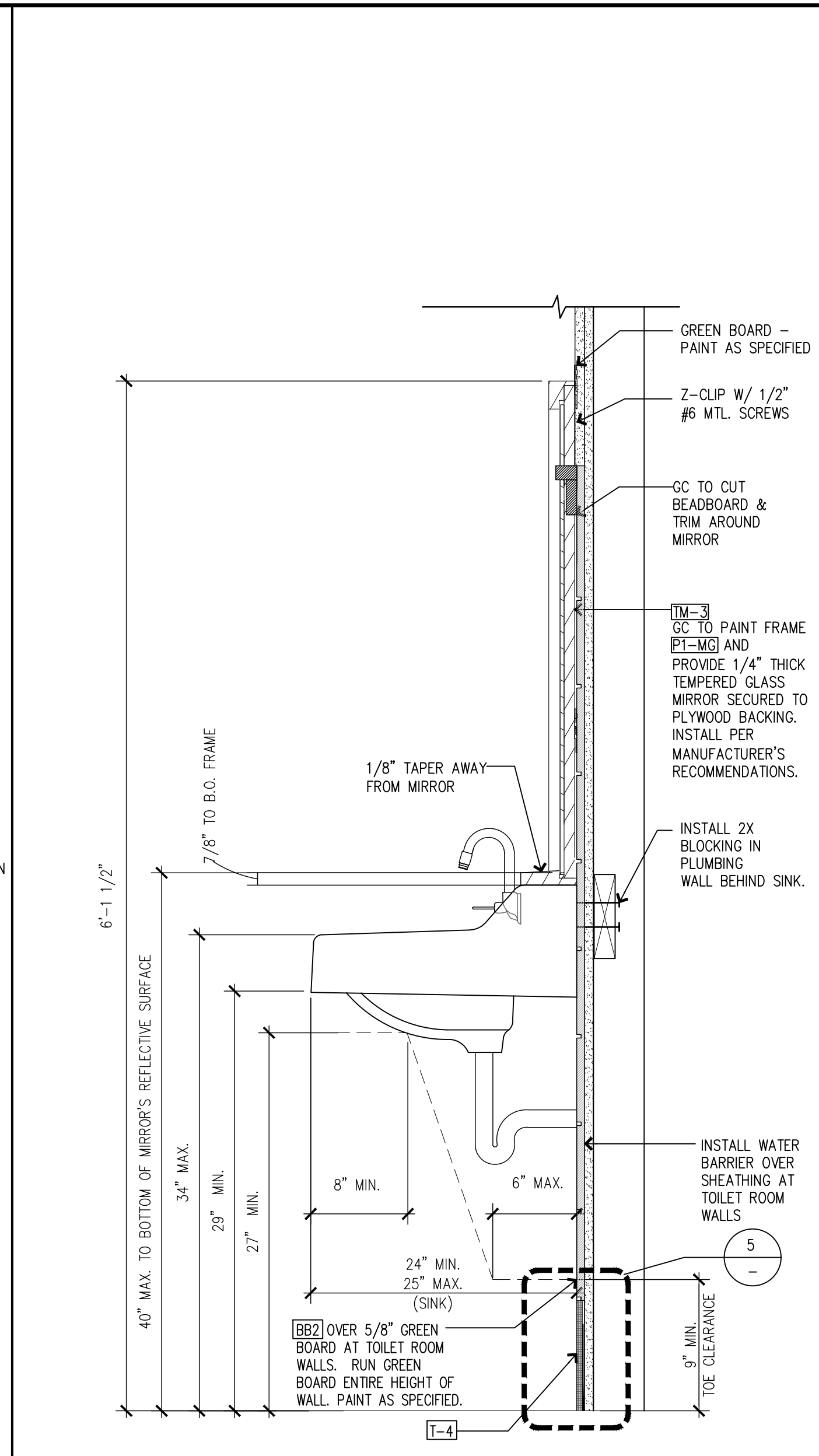
NOT USED SCALE: 6



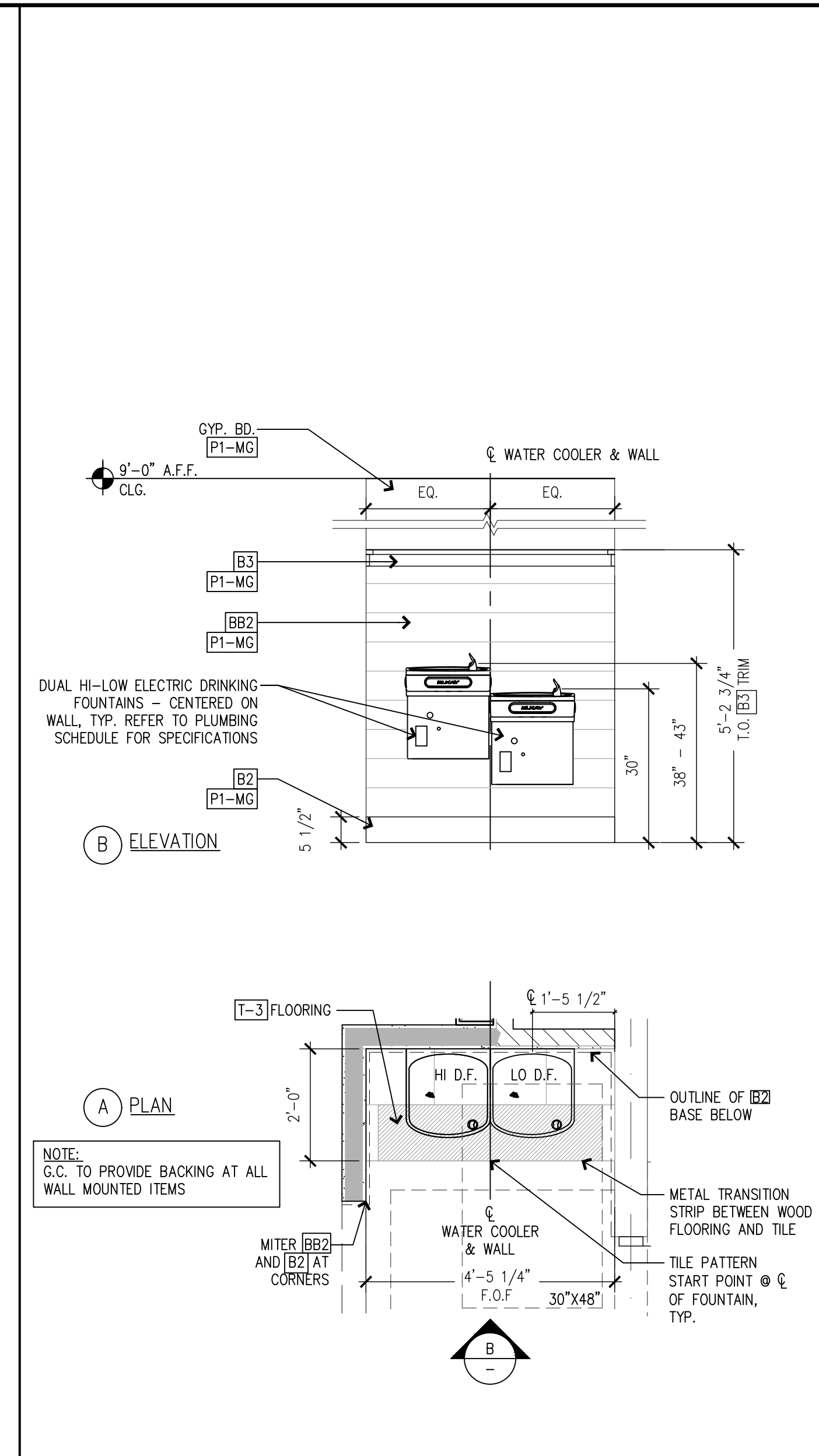
BEADBOARD CHANNEL DETAIL AT BASE SCALE: 6" = 1'-0" 6



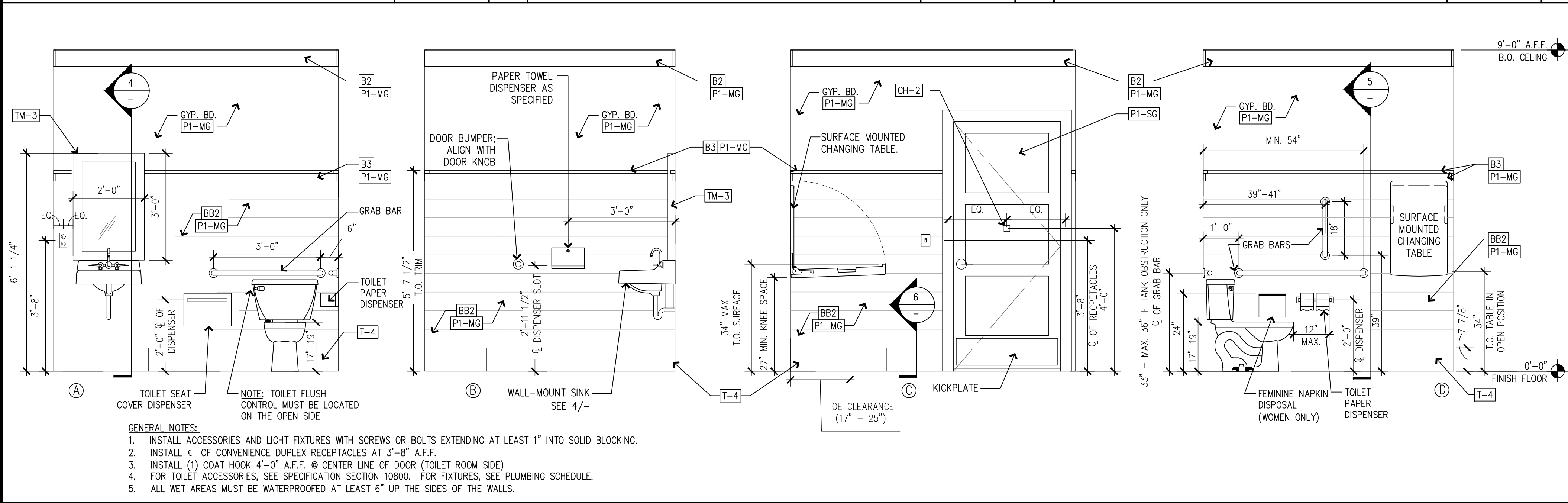
SECTION AT BEADBOARD SCALE: 3" = 1'-0" 5



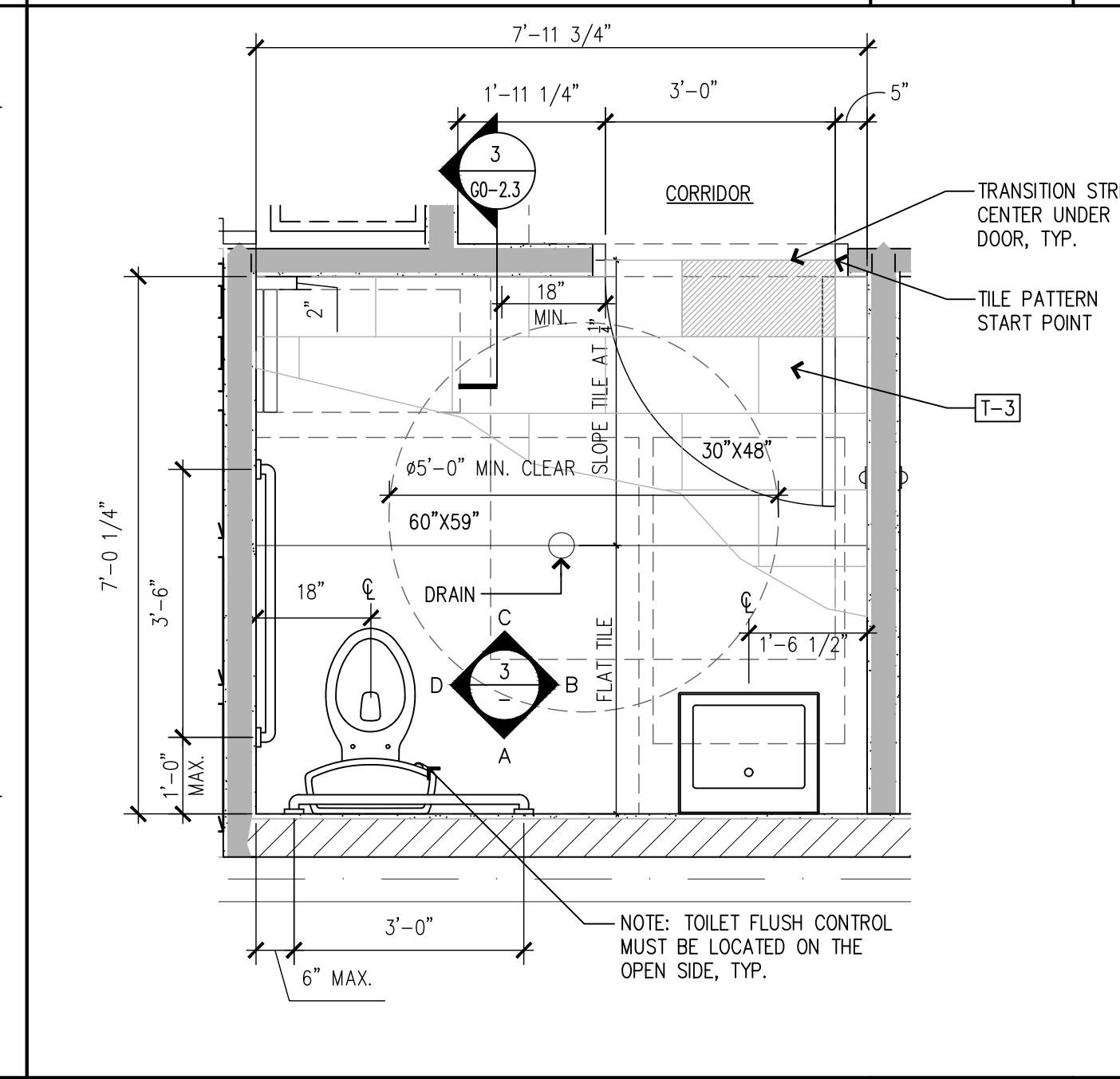
TOILET ROOM SINK SECTION SCALE: 1-1/2" = 1'-0" 4



DRINKING FOUNTAIN NICHE SCALE: 1/2" = 1'-0" 2



TYPICAL ROOM ELEVATIONS SCALE: 1/2" = 1'-0" 3



ENLARGED TYPICAL TOILET ROOM SCALE: 1/2" = 1'-0" 1

NEW STORE

ATHLETA

GAP INC.
CORPORATE ARCHITECTURE
1 HARRISON STREET
SAN FRANCISCO, CA 94105

STORE NO.: 7641

STORE NAME:
PORTLAND

STORE LOCATION:
152 MIDDLE STREET
PORTLAND, ME 04101

PROJ. I.D.: 0000053405

PROTOTYPE DATE: 09/4/15
PROTOTYPE VERSION 4.1

CONSULTANT INFO:

PROFESSIONAL STAMP:

ARCHITECT INFO:

ChipmanDesign
Architecture Inc.
7100 S. River Road, Suite 600
Des Moines, Illinois 60319
Tel: 309.450.7400 Fax: 309.450.7401

HEREBY CERTIFY THAT THESE PLANS HAVE BEEN PREPARED BY MY OFFICE AND UNDER MY SUPERVISION AND THAT TO THE BEST OF MY KNOWLEDGE, THE SAME COMPLY WITH ALL LAWS, RULES, REGULATIONS AND ORDINANCES OF PORTLAND, ME RELATING TO STRUCTURES AND BUILDINGS.

ISSUE TYPE:
100% CD CHECKSET 5/20/16
PERMIT / BID
LL APPROVAL

DRAWN BY: NR
A/E JOB NO.: 16-5433

SHEET TITLE:
TOILET ROOM PLANS AND DETAILS

SHEET NUMBER:
A6-3