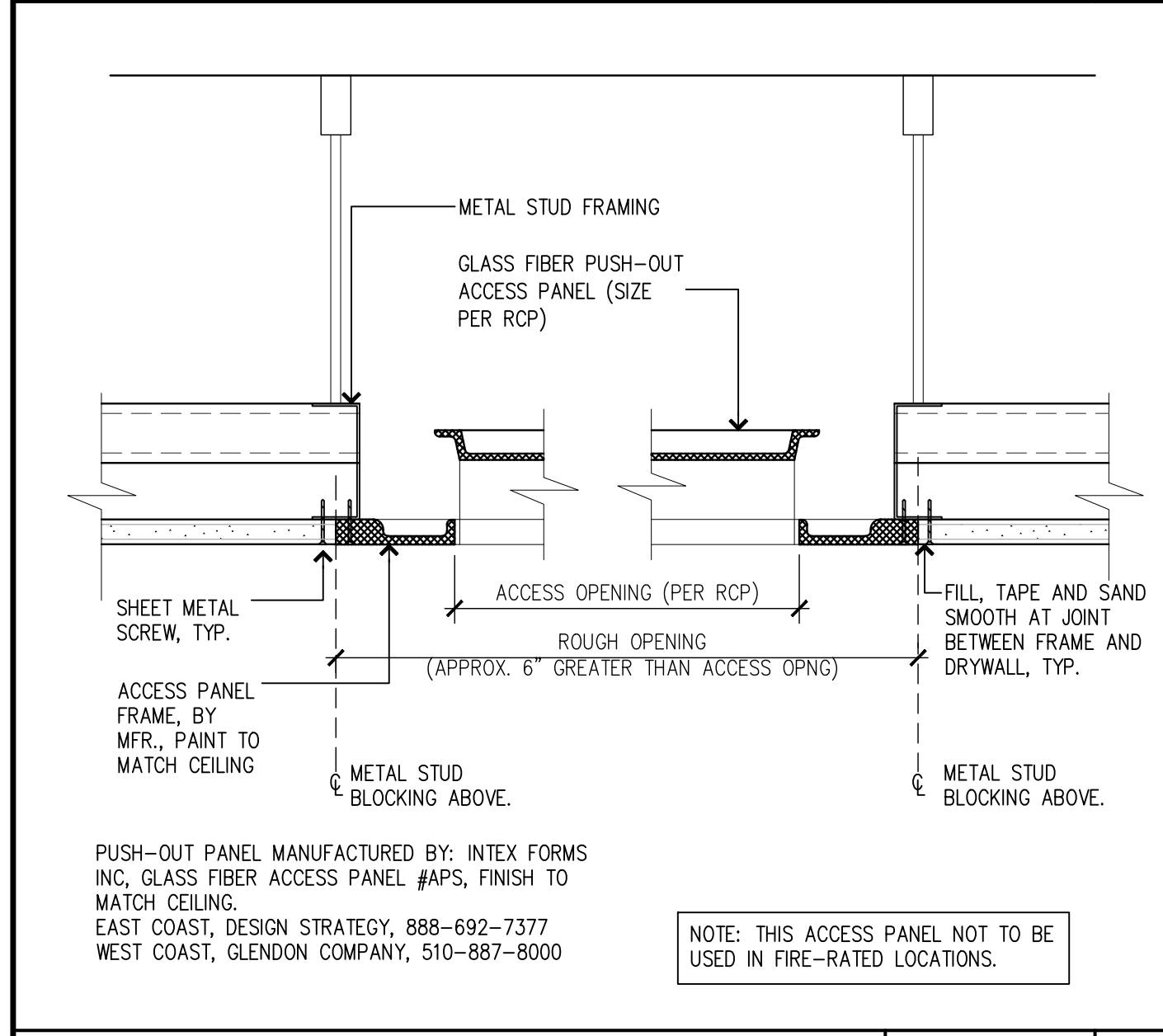
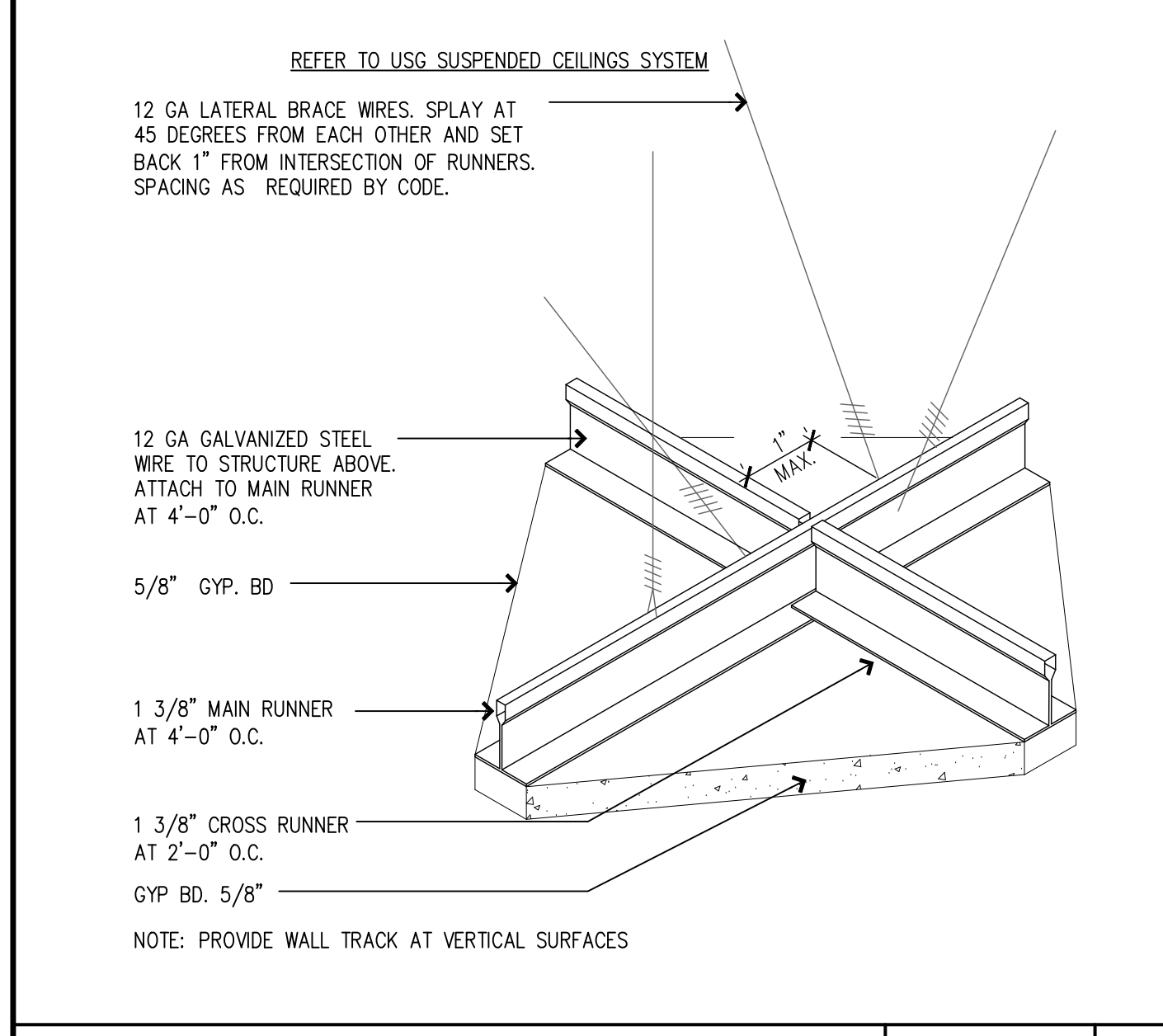


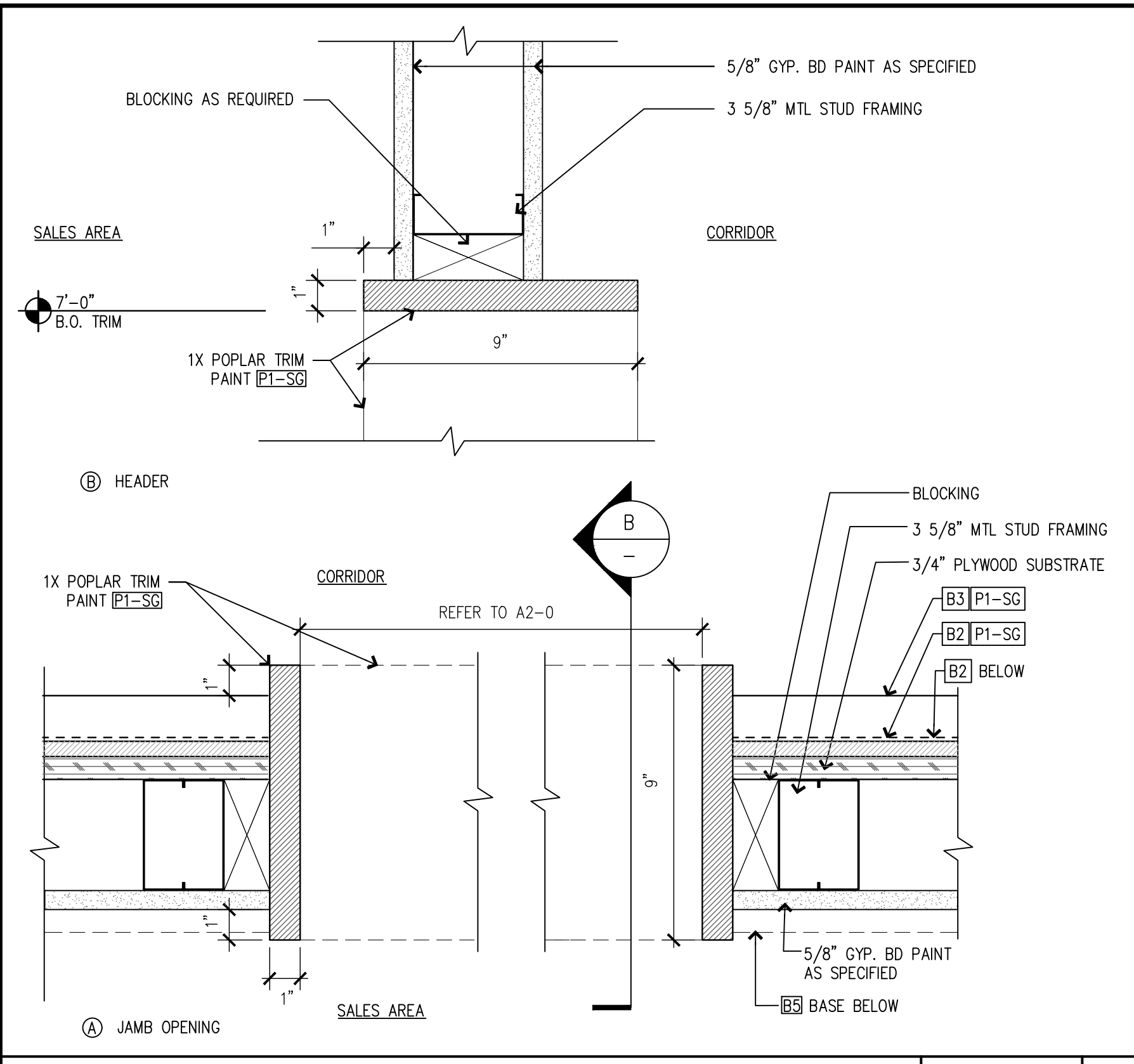
DETAIL AT WB-CUSTOM WOOD COLUMN SCALE: 3" = 1'-0" 10



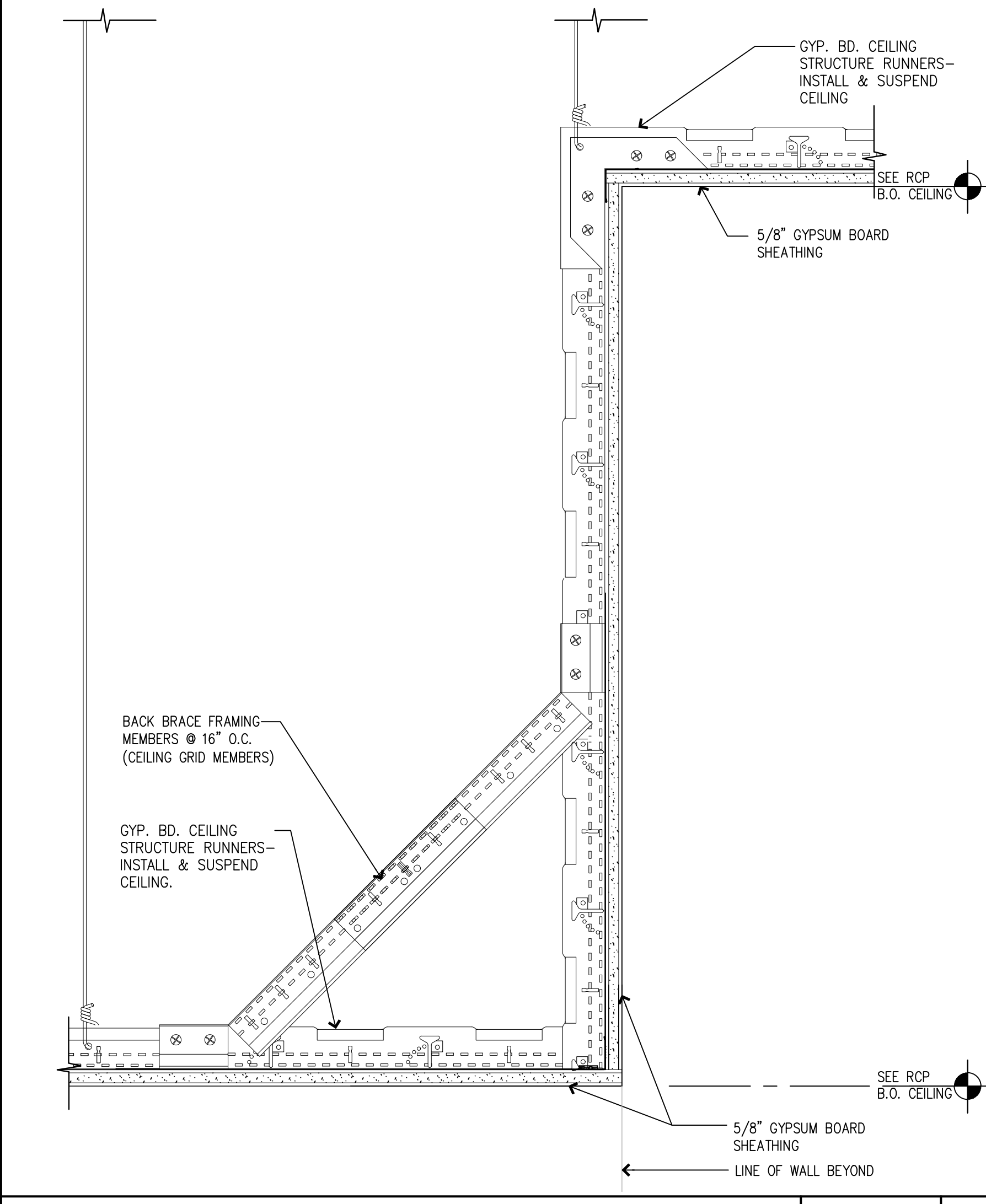
PUSH-OUT CEILING ACCESS PANEL SCALE: 3" = 1'-0" 9



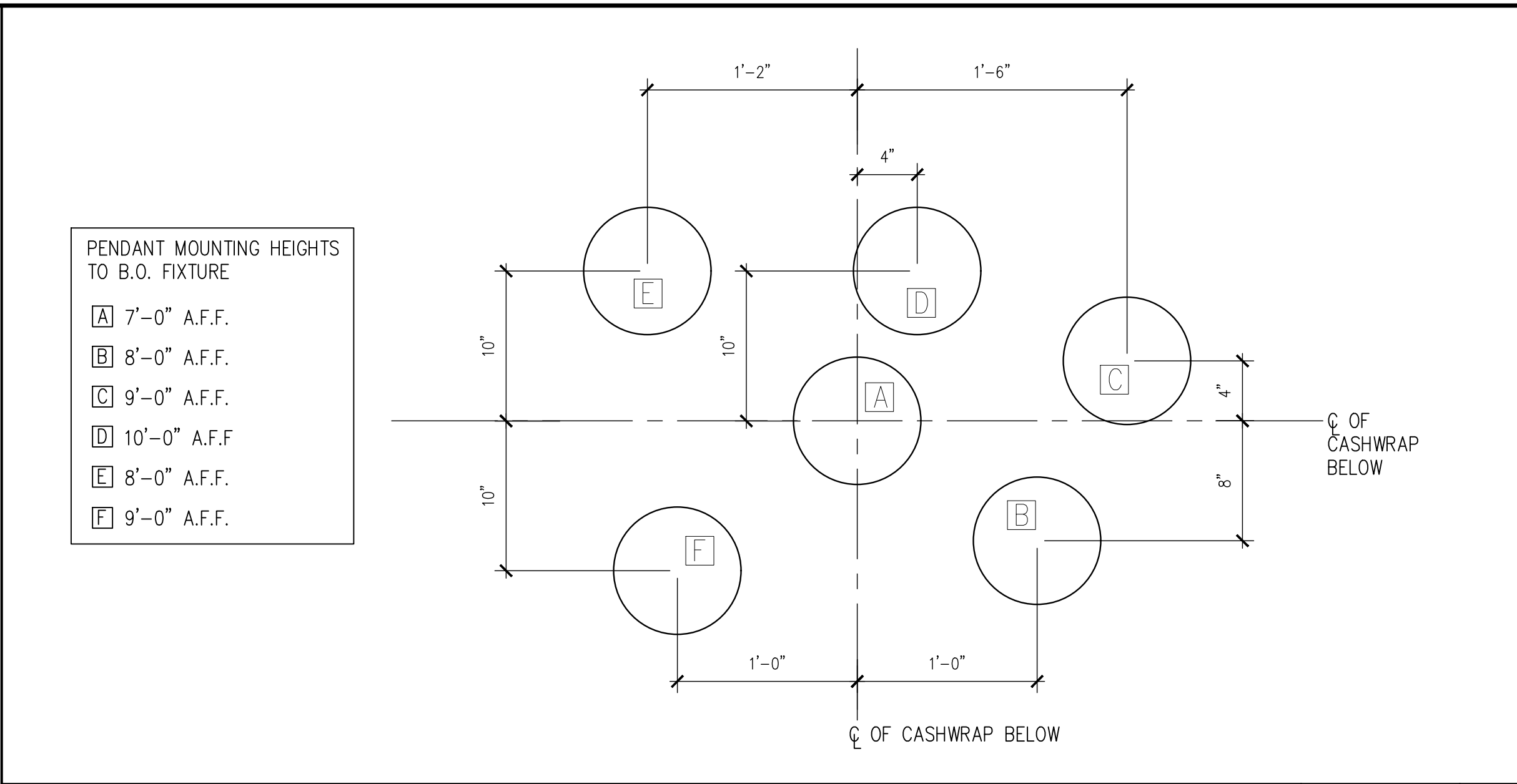
TYPICAL GYPSUM BOARD CEILING SCALE: 3" = 1'-0" 8



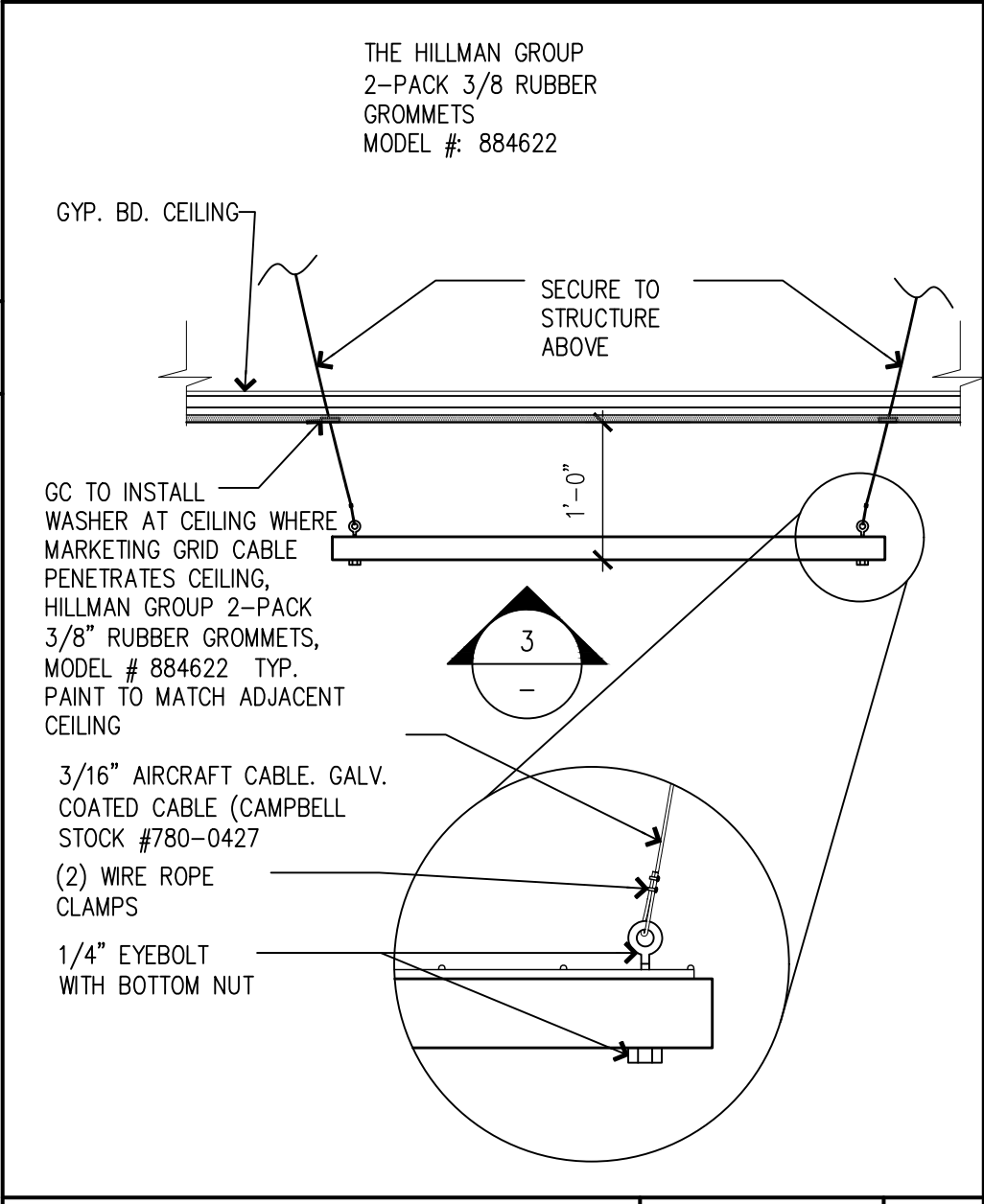
CASED OPENING SCALE: 3" = 1'-0" 7



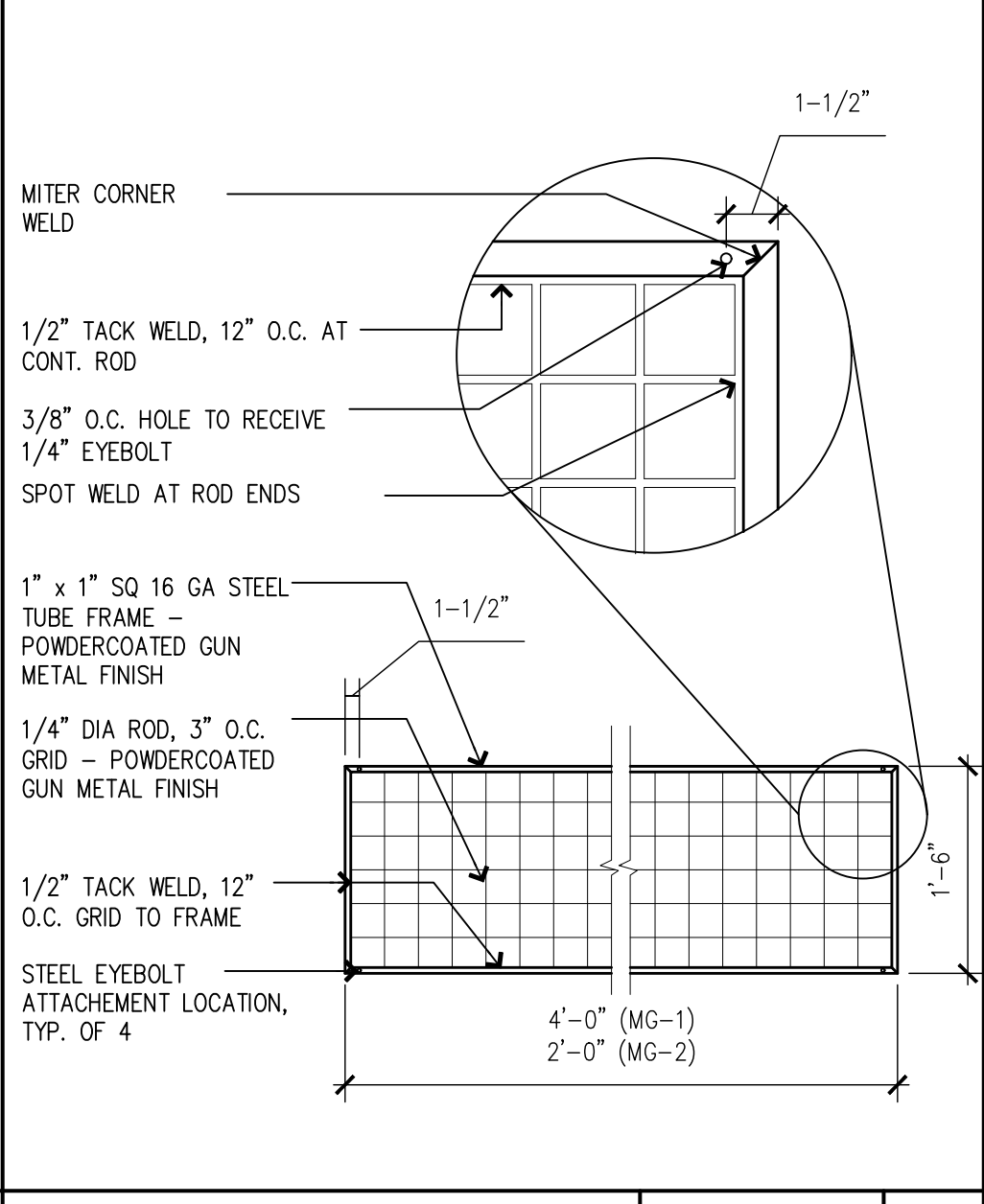
SOFFIT SECTION - GYP.BD @ GYP.BD. SCALE: 3" = 1'-0" 6



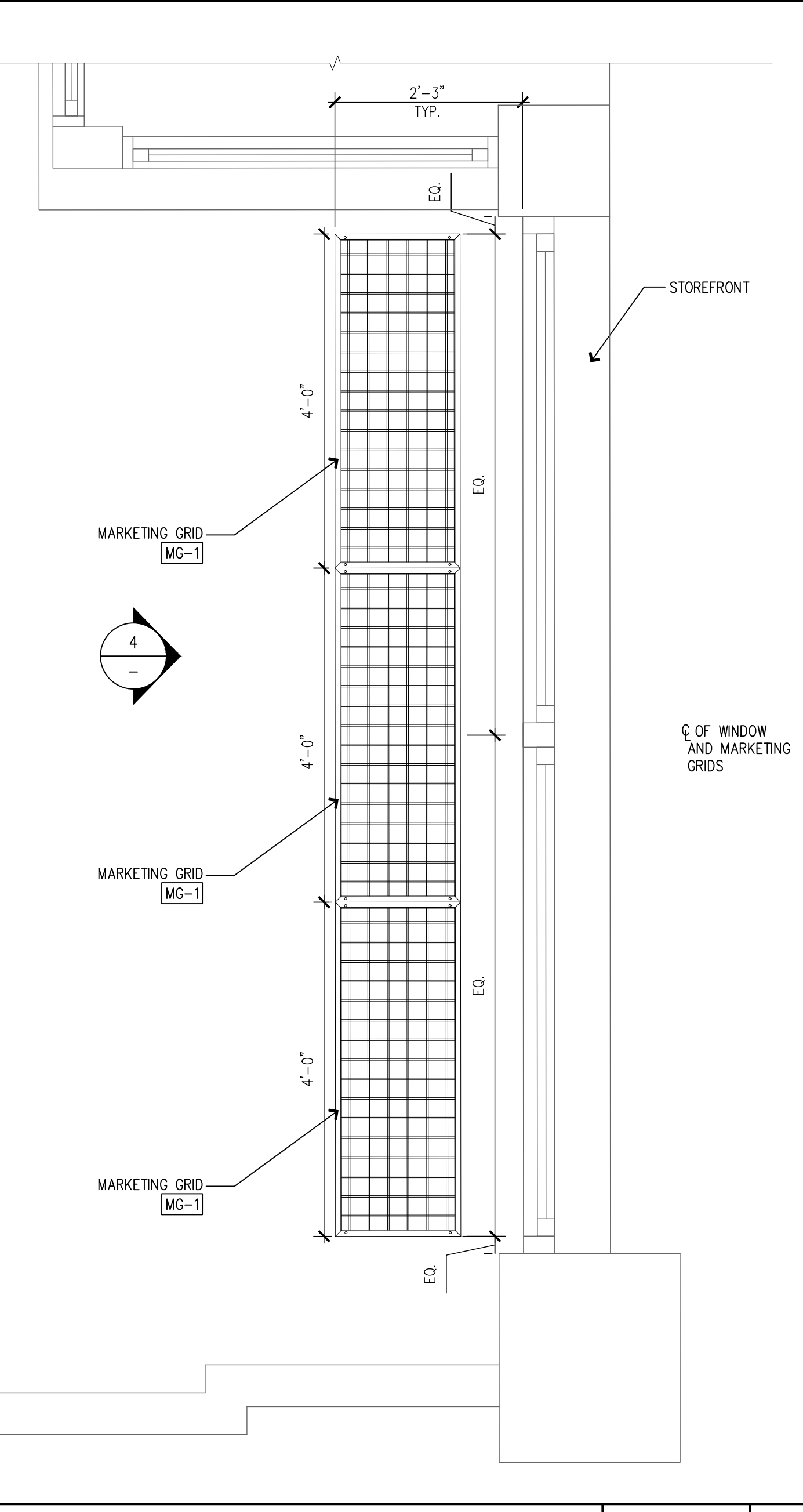
PENDANT LAYOUT & MOUNTING HEIGHTS SCALE: 1 1/2" = 1'-0" 2



MARKETING GRID DETAIL SCALE: 3/4" = 1'-0" 4



MARKETING GRID DETAIL SCALE: 3/4" = 1'-0" 3



TYPICAL MARKETING GRID PLAN SCALE: 3/4" = 1'-0" 1

NEW STORE

ATHLETA

GAP INC.
CORPORATE ARCHITECTURE
1 HARRISON STREET
SAN FRANCISCO, CA 94105

STORE NO.: 7641

STORE NAME:
PORTLAND

STORE LOCATION:
152 MIDDLE STREET
PORTLAND, ME 04101

PROJ. I.D.: 0000053405

PROTOTYPE DATE: 09/4/15
PROTOTYPE VERSION 4.1

CONSULTANT INFO:

PROFESSIONAL STAMP:
John A. Chipman
JOHN A. CHIPMAN
No. 2088
STATE OF MAINE

ARCHITECT INFO:
ChipmanDesign
Architecture Inc.
7100 S. River Road, Suite 600
Oak Park, Illinois 60462
Tel: 708.486.1400 Fax: 708.486.1401

HEREBY CERTIFY THAT THESE PLANS HAVE BEEN PREPARED IN MY OFFICE AND UNDER MY SUPERVISION AND THAT TO THE BEST OF MY KNOWLEDGE, THE SAME COMPLY WITH ALL LAWS, RULES, REGULATIONS AND ORDINANCES OF PORTLAND, ME RELATING TO STRUCTURES AND BUILDINGS.

ISSUE TYPE:
100% CD CHECKSET 5/20/16
PERMIT / BID
LL APPROVAL

DRAWN BY: NR
A&E JOB NO.: 16-5433

SHEET TITLE:
CEILING & MISC. DETAILS

SHEET NUMBER:
A6-1