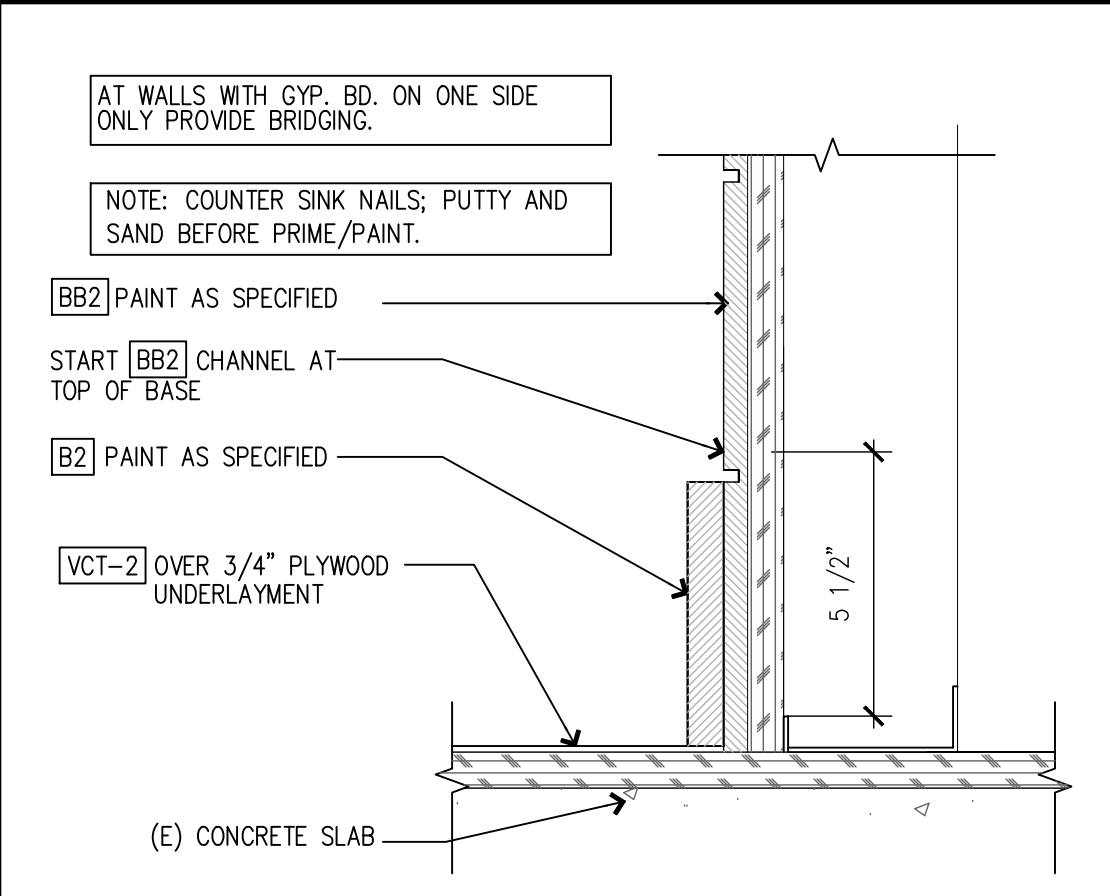
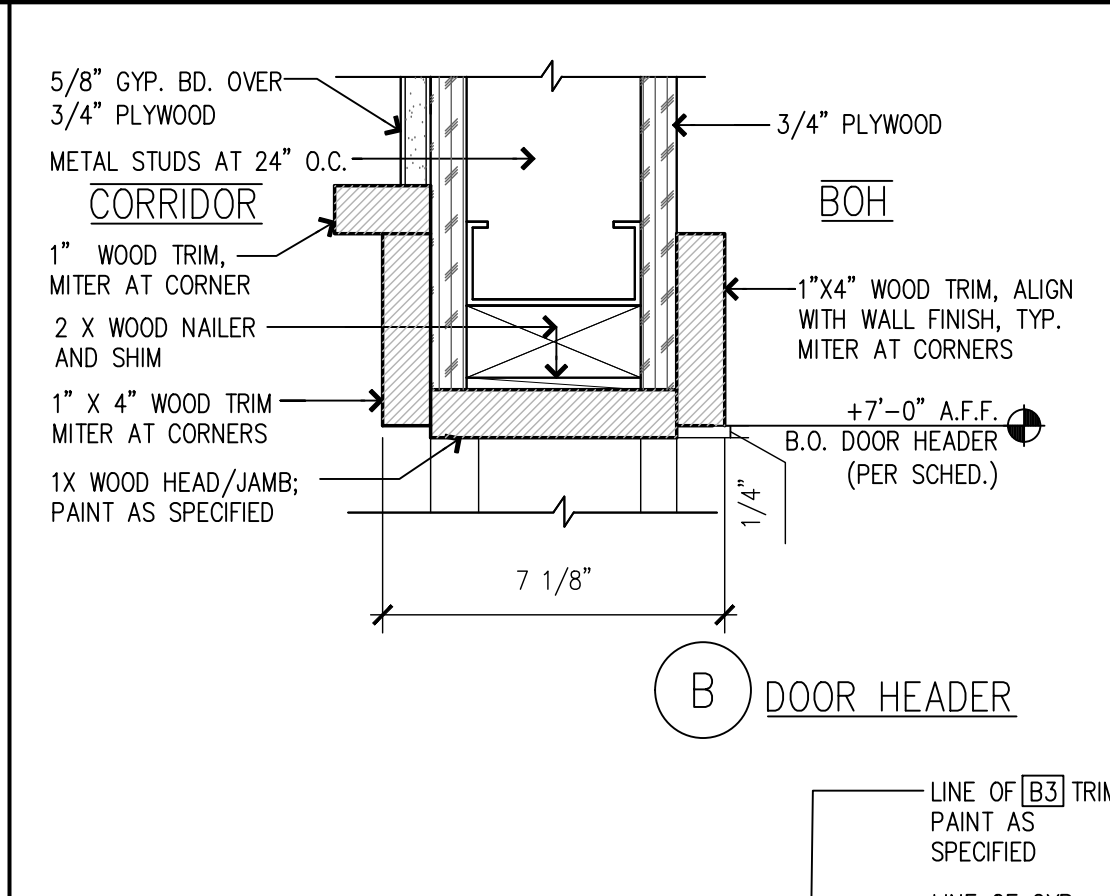


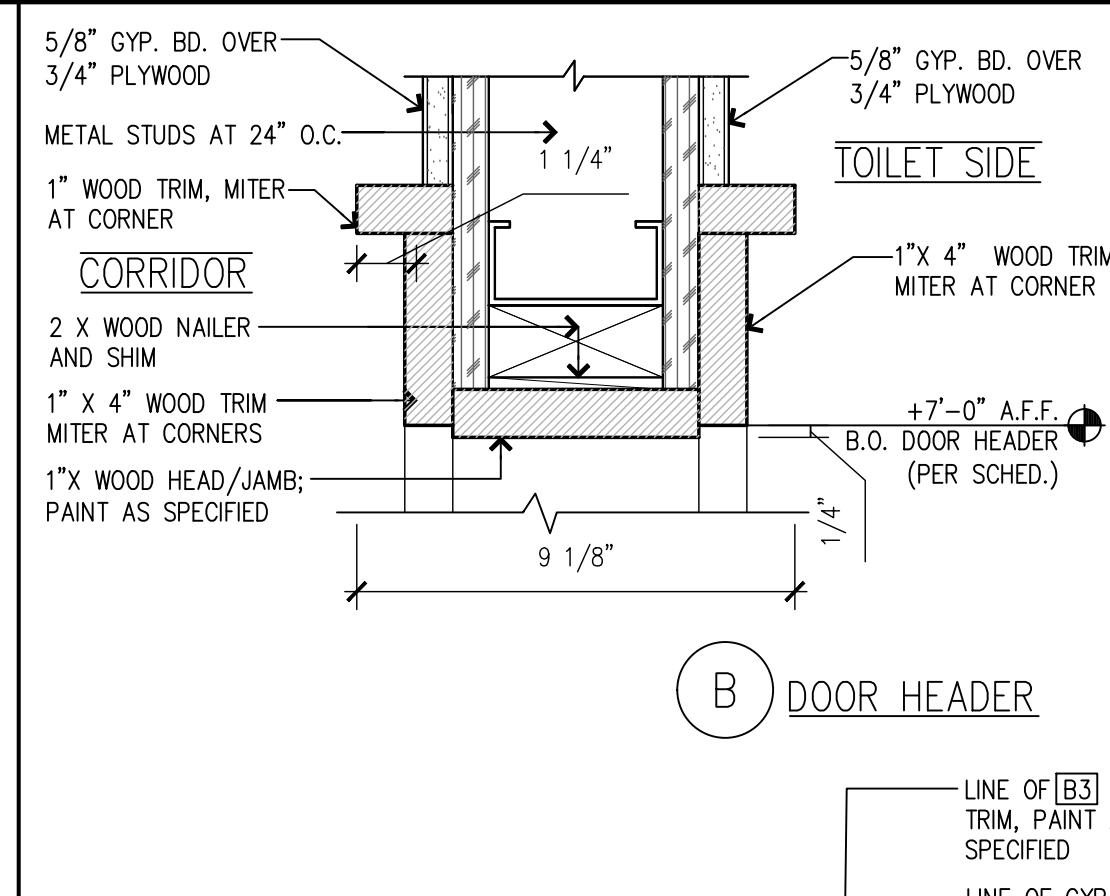
VINYL BASE SCALE: 3" = 1'-0" 4



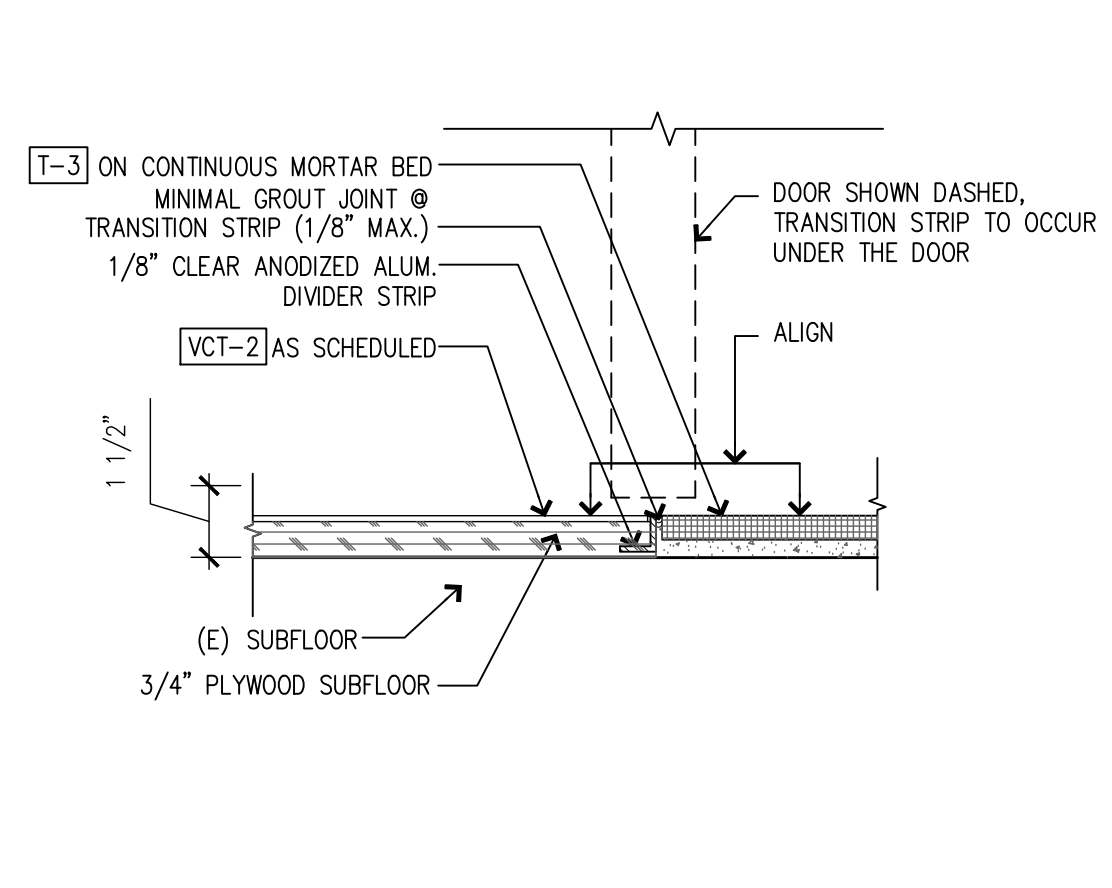
WOOD BASE AT FIT STUDIO SCALE: 3" = 1'-0" 8



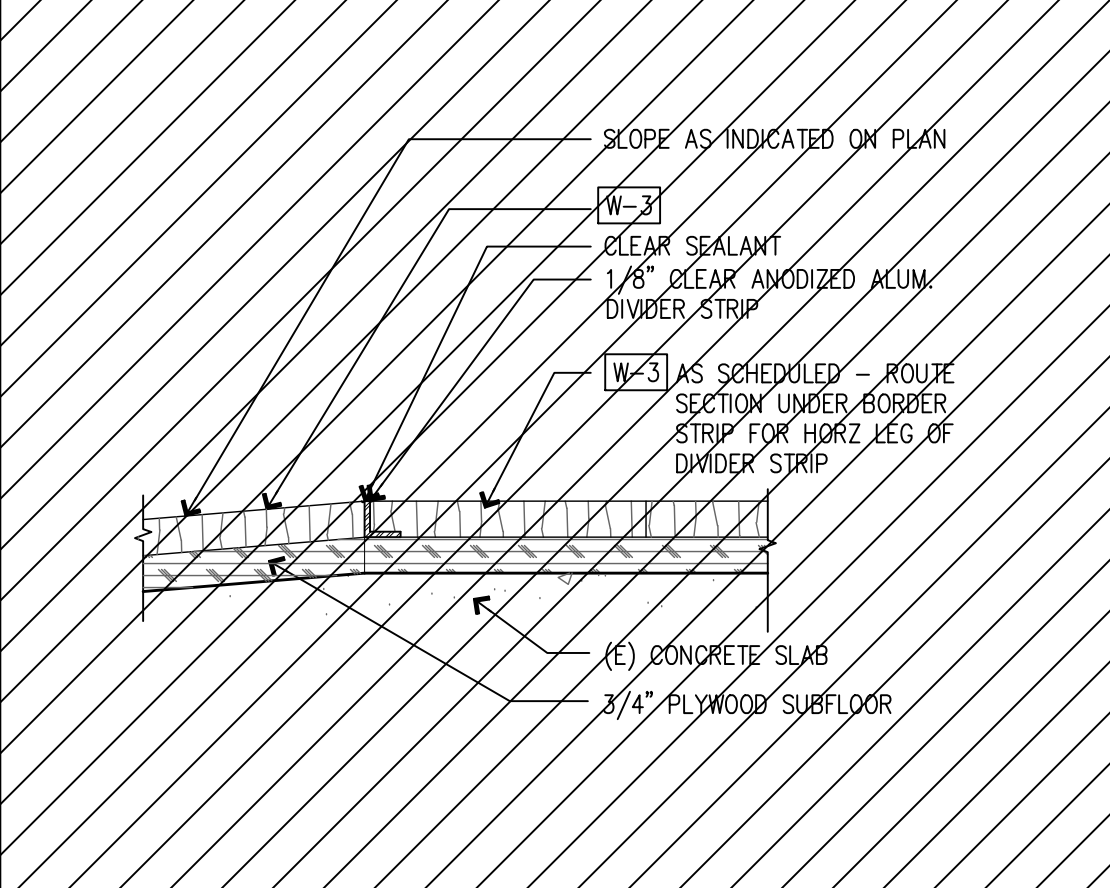
DOOR HEADER (BOH) CORRIDOR SCALE: 3" = 1'-0" 5



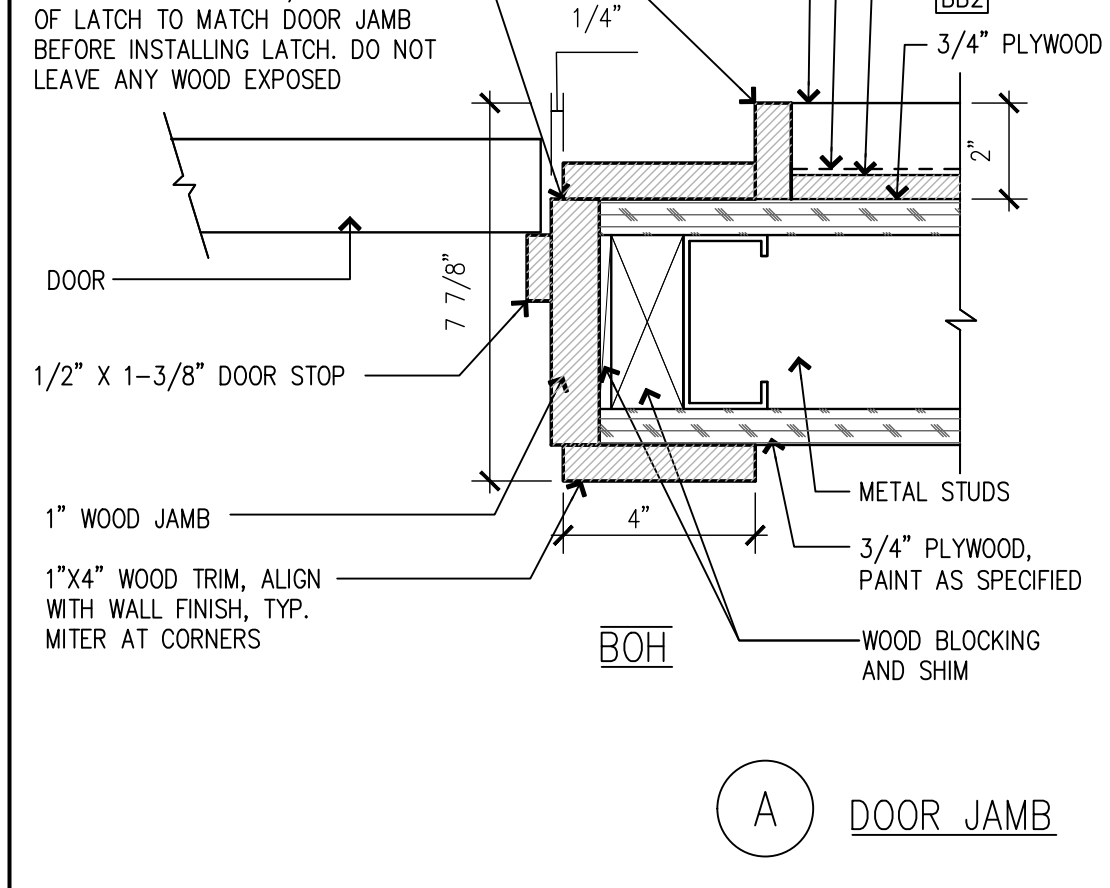
DOOR HEADER (BOH) TOILET SIDE SCALE: 3" = 1'-0" 5



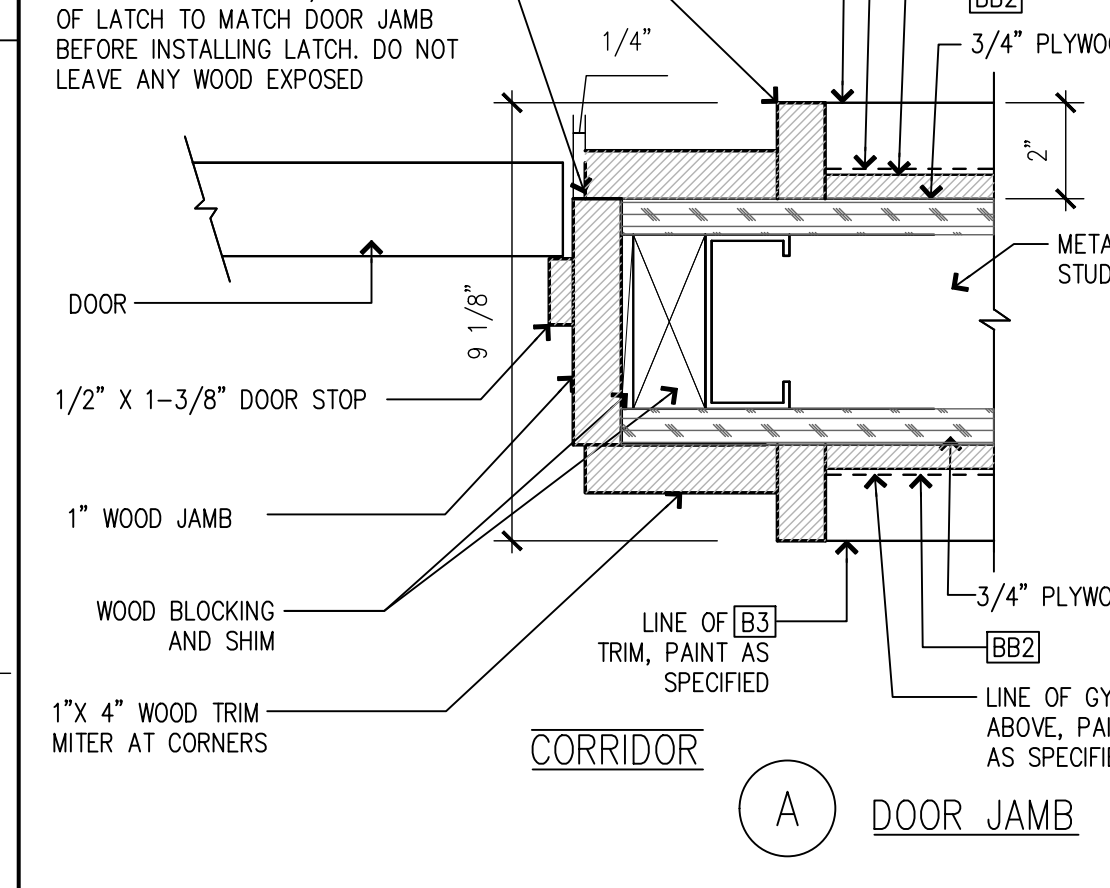
VCT TO TILE TRANSITION SCALE: 3" = 1'-0" 3



WD TO WD TRANSITION AT RAMP SCALE: 3" = 1'-0" 7



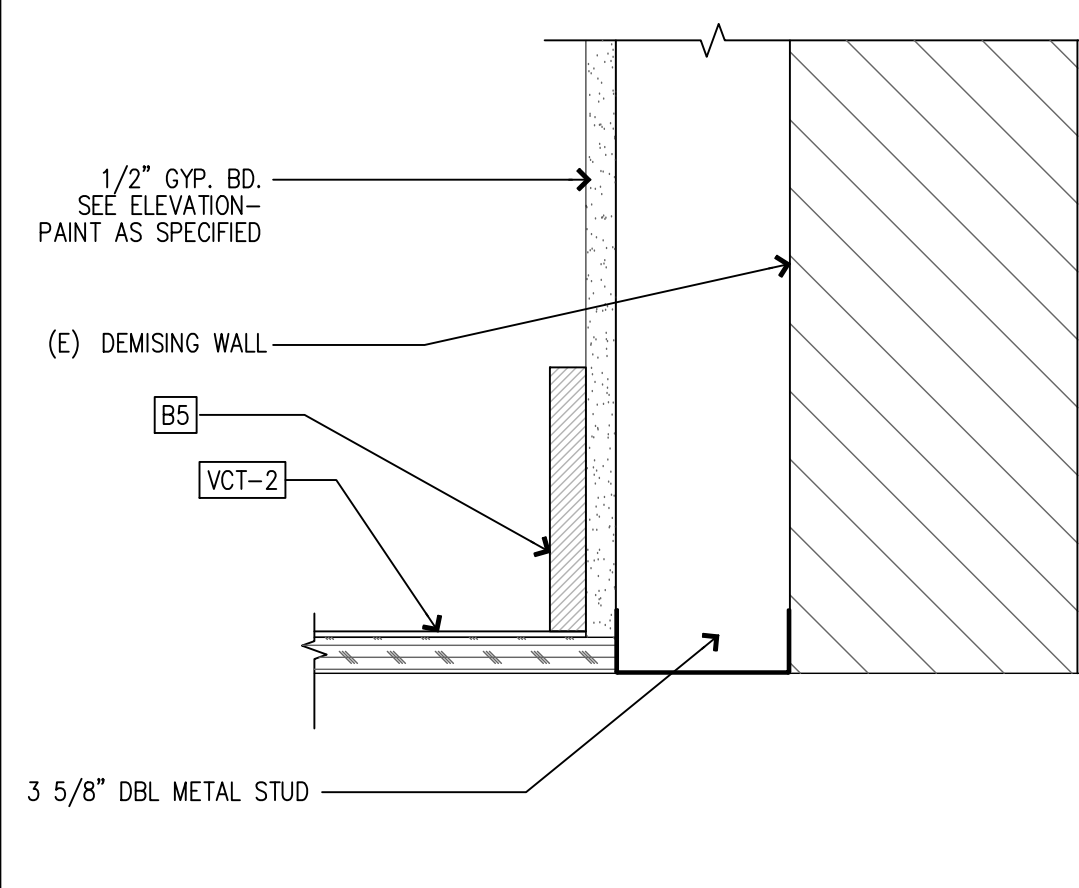
DOOR JAMB (A) CORRIDOR SCALE: 3" = 1'-0" 11



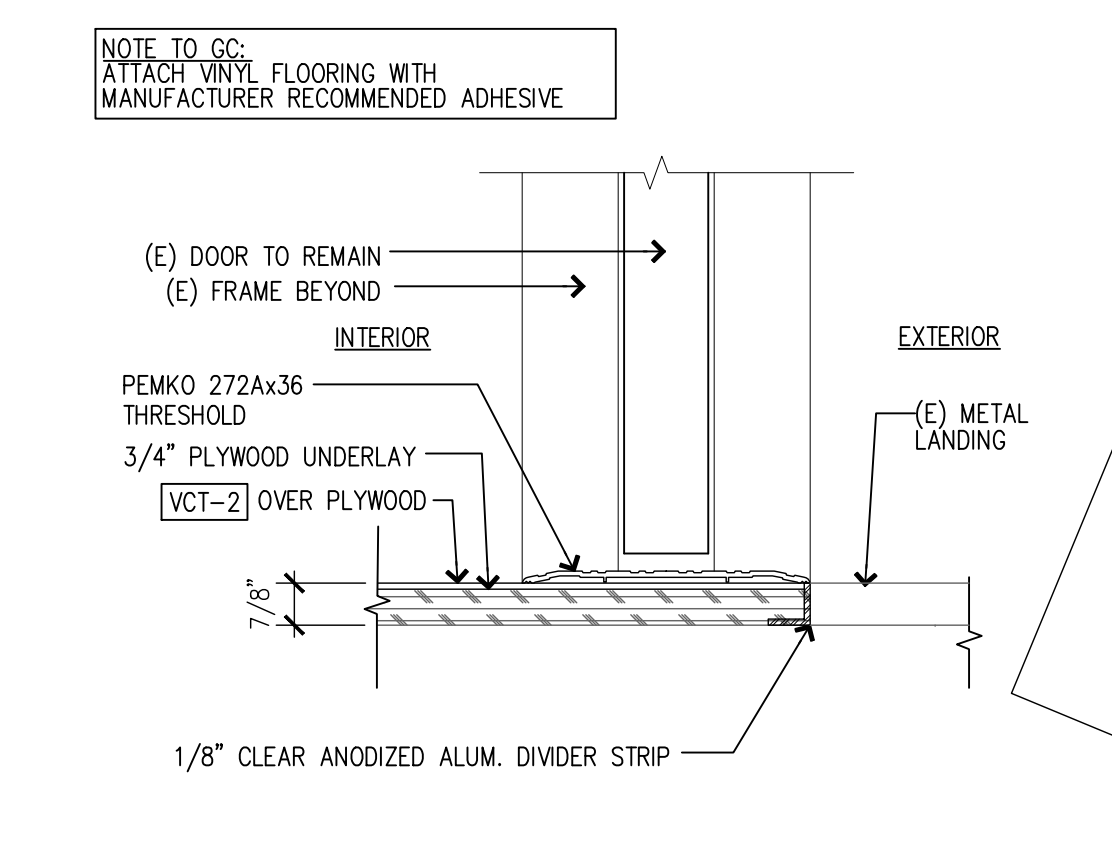
DOOR JAMB (A) TOILET SIDE SCALE: 3" = 1'-0" 13



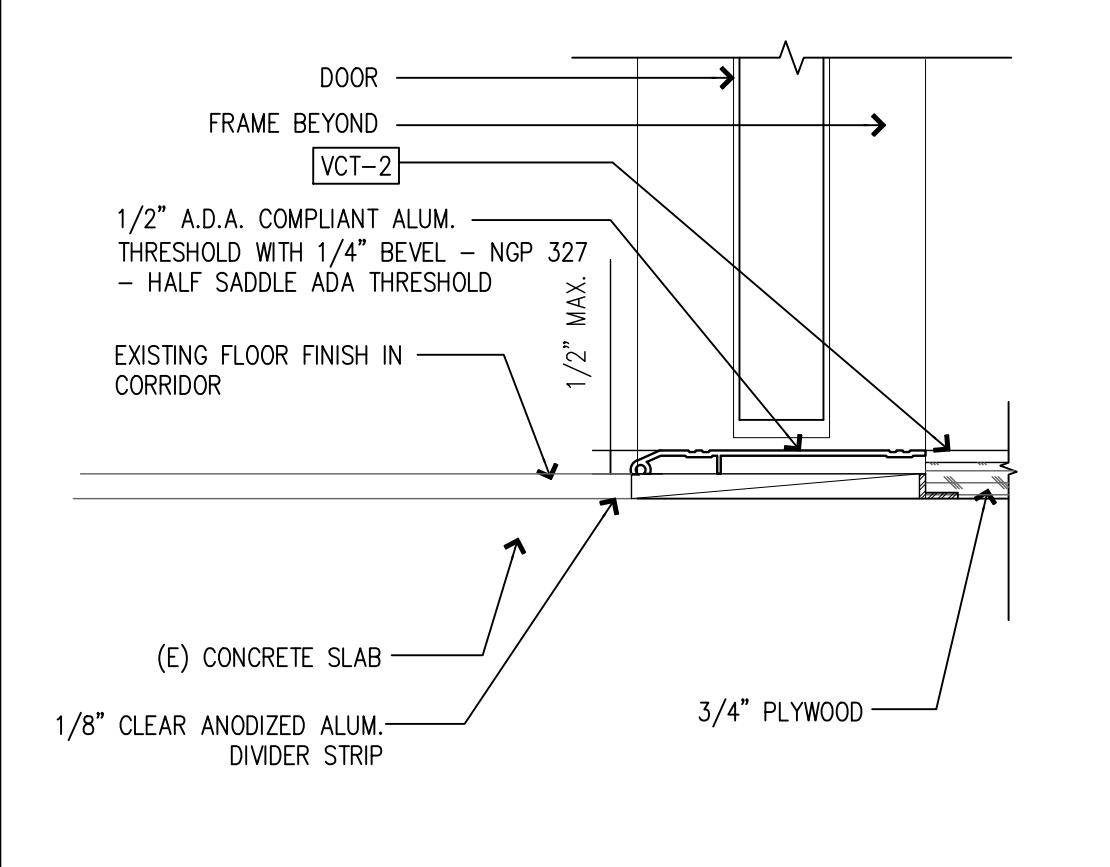
NOT USED SCALE: 3" = 1'-0" 15



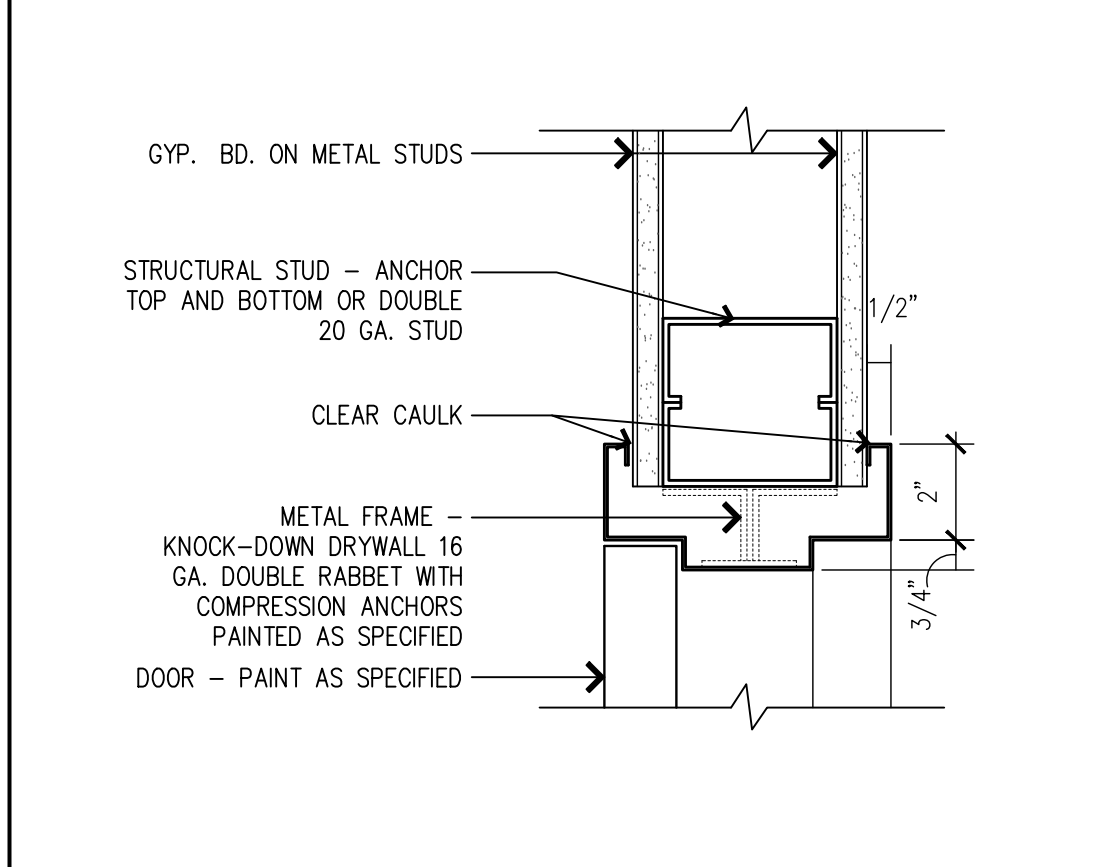
WOOD BASE AT SALES WALL & WOOD COLUMN SCALE: 3" = 1'-0" 14



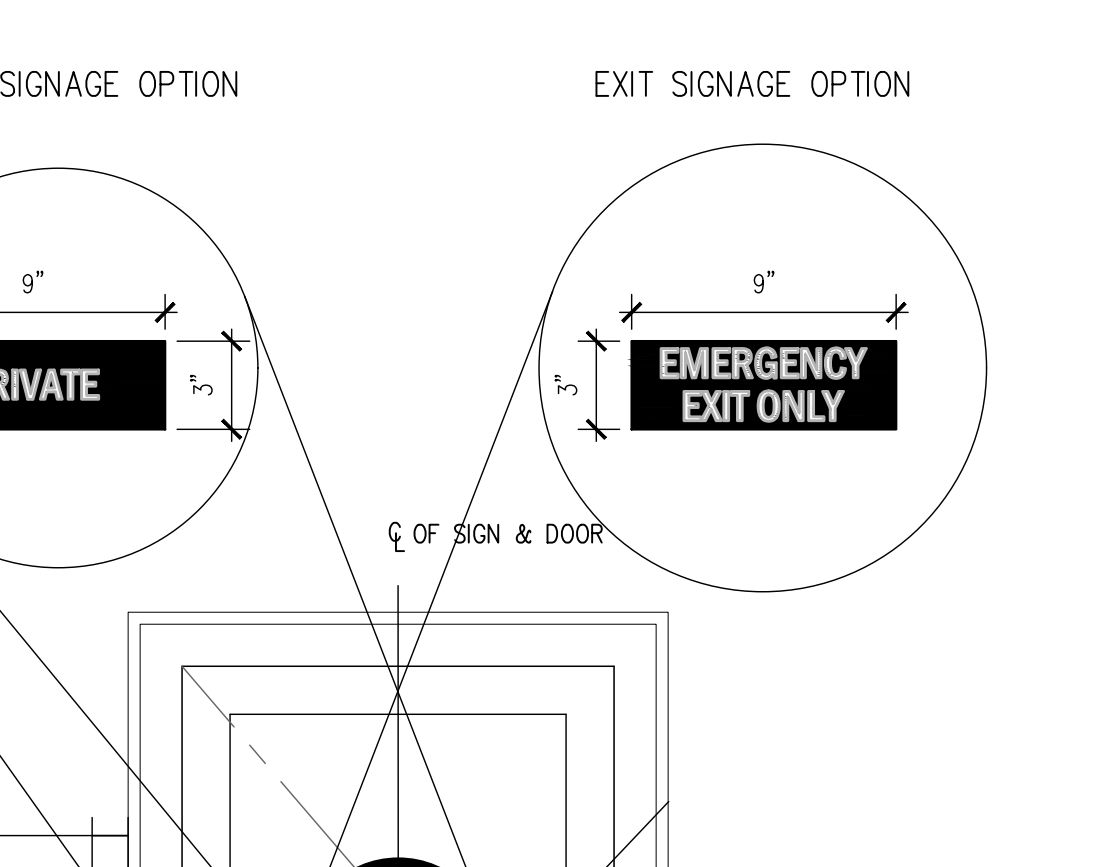
ENTRY THRESHOLD (EXTERIOR CONDITION) SCALE: 3" = 1'-0" 2



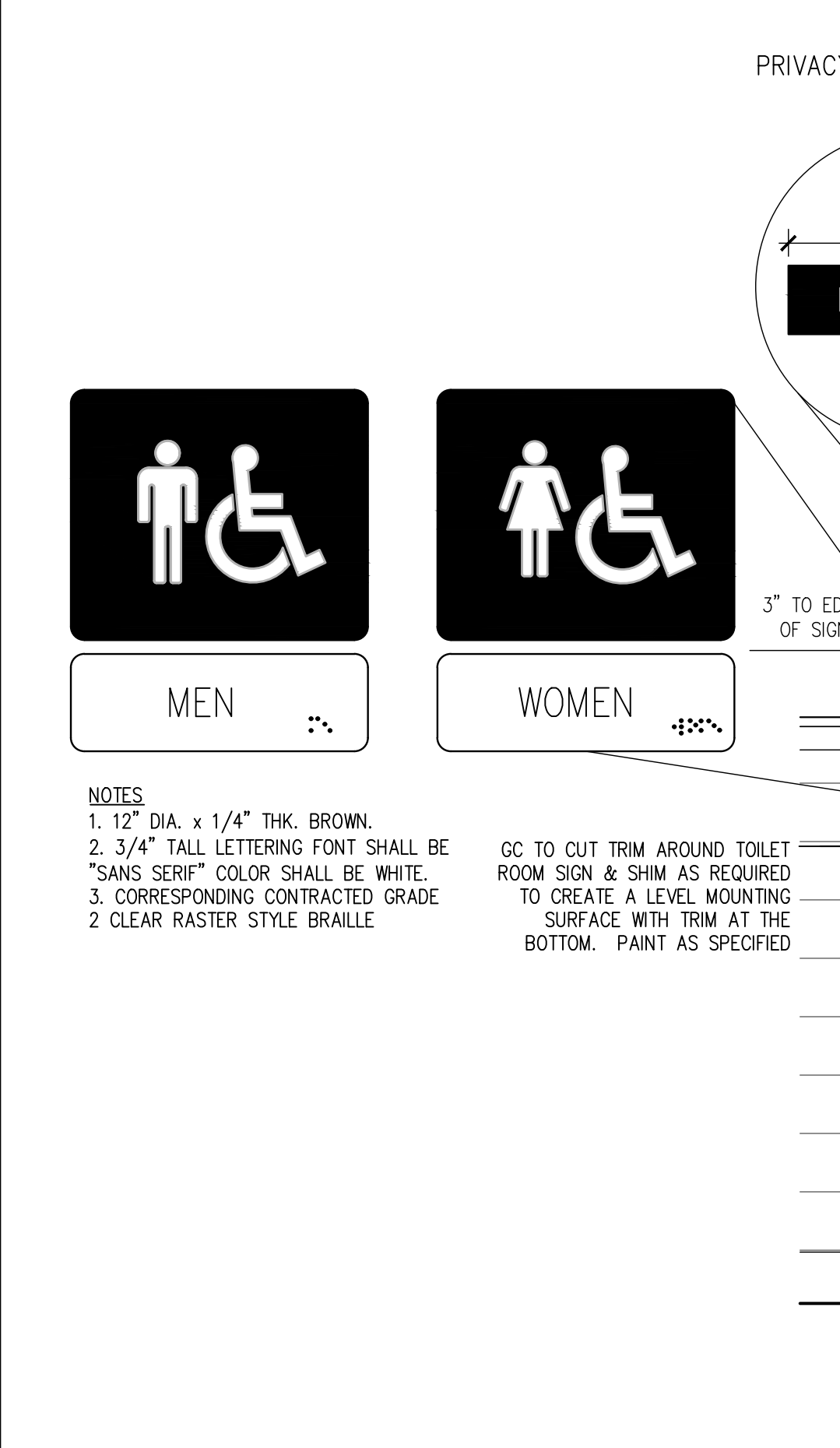
VCT TO (E) CORRIDOR SCALE: 3" = 1'-0" 9



FIRE RATED WOOD DOOR HEAD / JAMB SCALE: 3" = 1'-0" 5



HEAD/JAMB KNOCK DOWN FR. SCALE: 3" = 1'-0" 10

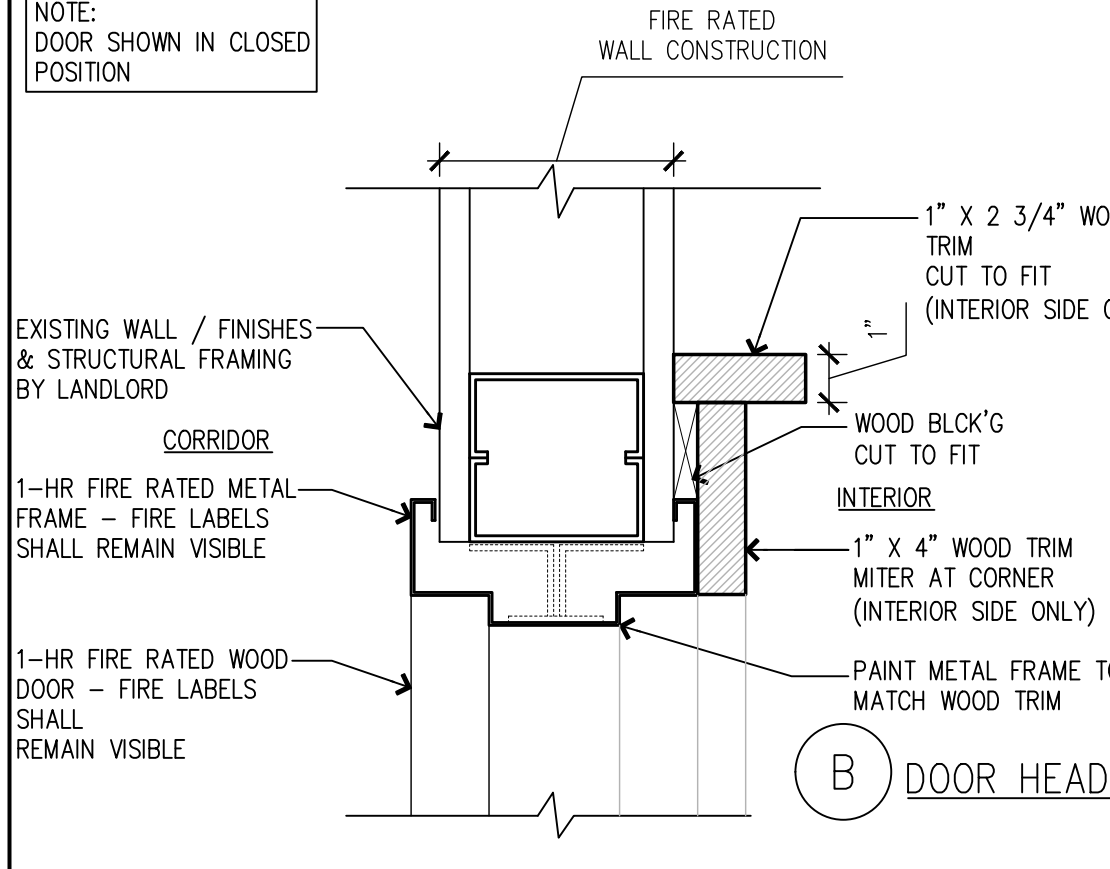


WOMEN'S/MEN'S TOILET ROOM AND EXIT SIGNAGE SCALE: 3/4" = 1'-0" 12

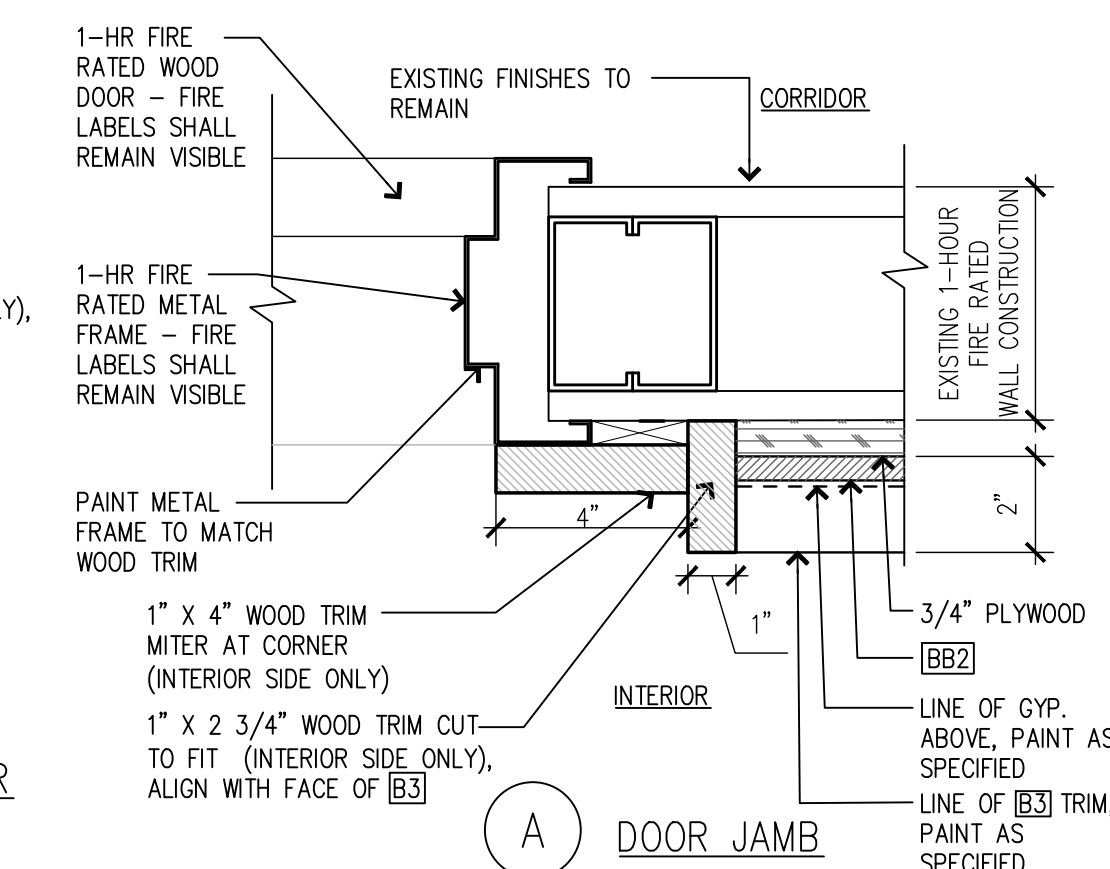
NOTES: 1. 12" DIA. x 1/4" THK. BROWN. 2. 3/4" TALL LETTERING FONT SHALL BE "SANS SERIF" COLOR SHALL BE WHITE. 3. CORRESPONDING CONTRACTED GRADE. 2 CLEAR RASTER STYLE BRAILLE

GC TO CUT TRIM AROUND TOILET ROOM SIGN & SHIM AS REQUIRED TO CREATE A LEVEL MOUNTING SURFACE WITH TRIM AT THE BOTTOM. PAINT AS SPECIFIED

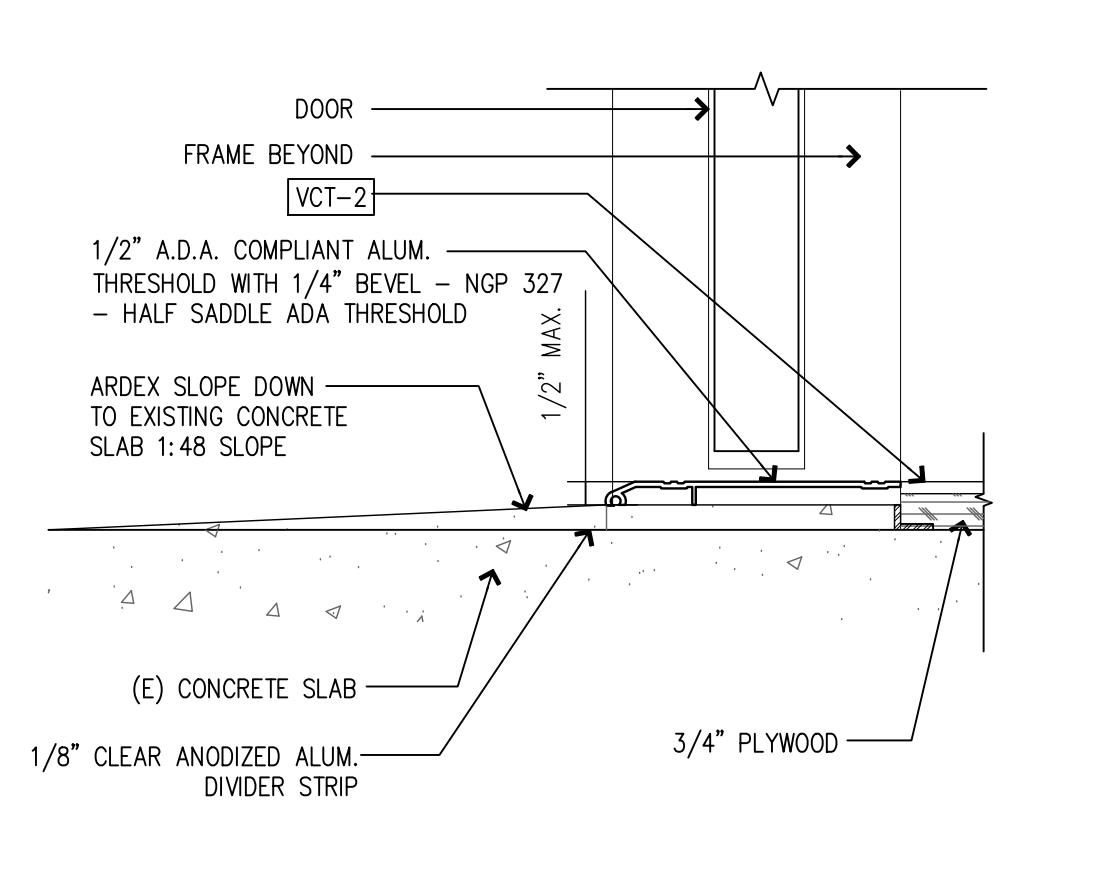
NOTES: 1. 3"H. x 9"W. x 1/4" THK. FINISHED W/ BROWN. 2. COPY READING PRIVATE APPLIED FIRST SURFACE, FINISHED WHITE. SIGN MOUNTS WITH D/F TAPE. ADD BLOCKING BEHIND SIGNAGE. PAINT P1-SG TO PROVIDE A LEVELED SURFACE WHERE INTERFERING WITH DOOR PANELS



DOOR HEADER (B) FIRE RATED WOOD DOOR HEAD / JAMB SCALE: 3" = 1'-0" 5



DOOR JAMB (A) VCT TO (E) CORRIDOR SCALE: 3" = 1'-0" 9



VCT TO CONCRETE SCALE: 3" = 1'-0" 1