



GAP INC.  
CORPORATE ARCHITECTURE  
1 HARRISON STREET  
SAN FRANCISCO, CA 94105

STORE NO.: 7641

STORE NAME:  
PORTLAND

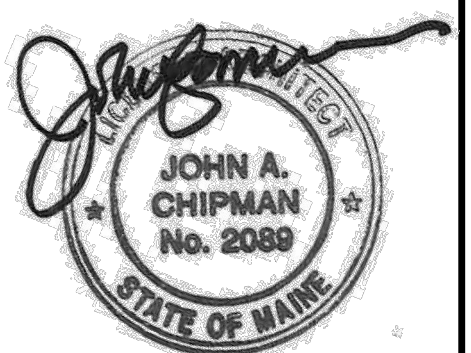
STORE LOCATION:  
152 MIDDLE STREET  
PORTLAND, ME 04101

PROJ. I.D.: 0000053405

PROTOTYPE DATE: 09/4/15  
PROTOTYPE VERSION 4.1

CONSULTANT INFO:

PROFESSIONAL STAMP:



ARCHITECT INFO:



HEREBY CERTIFY THAT THESE PLANS HAVE BEEN PREPARED BY MY OFFICE AND UNDER MY SUPERVISION AND THAT TO THE BEST OF MY KNOWLEDGE, THE SAME COMPLY WITH ALL LAWS, RULES, REGULATIONS AND ORDINANCES OF PORTLAND, ME RELATING TO STRUCTURES AND BUILDINGS.

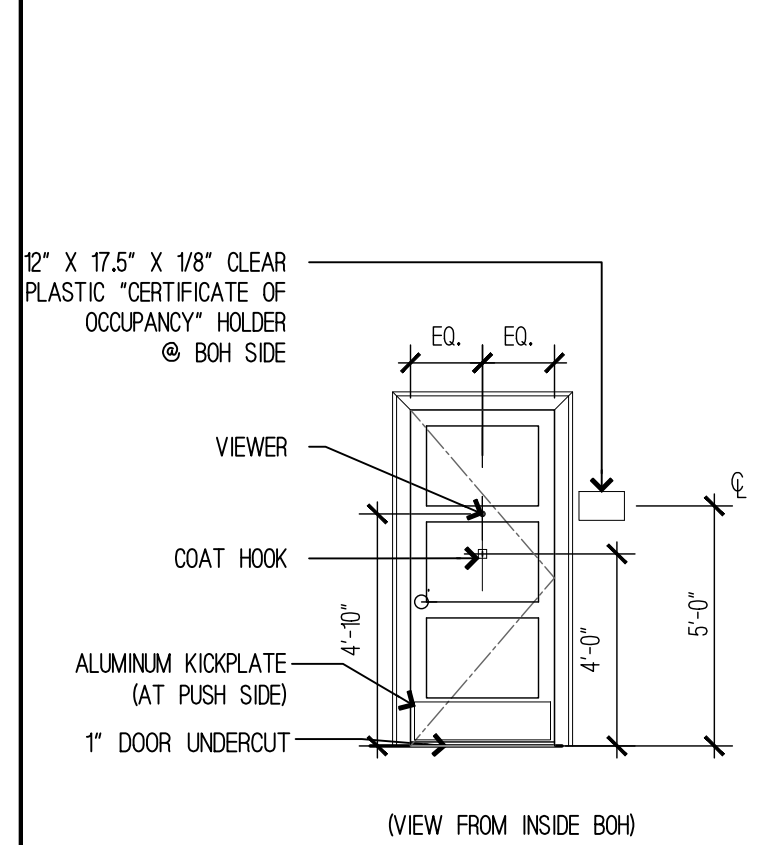
ISSUE TYPE:  
100% CD CHECKSET 5/20/16  
PERMIT / BID  
LL APPROVAL

DRAWN BY: NR  
A&E JOB NO.: 16-5433

SHEET TITLE:  
DOOR/HARDWARE  
SCHEDULE &  
LEGEND

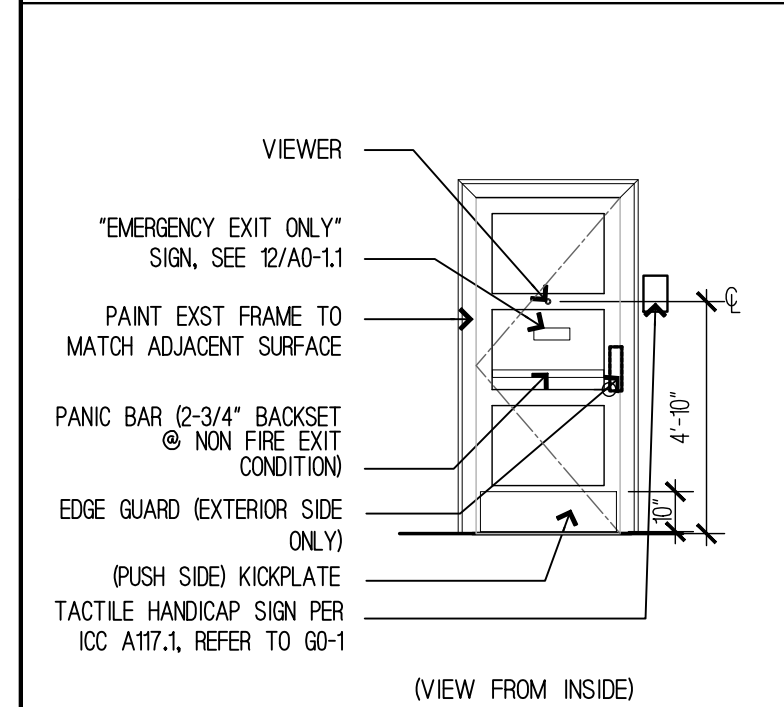
SHEET NUMBER:  
A0-1

**DOOR TYPE E - STOCKROOM/ EMPLOYEE/ MANAGER'S OFFICE (BY GC)**



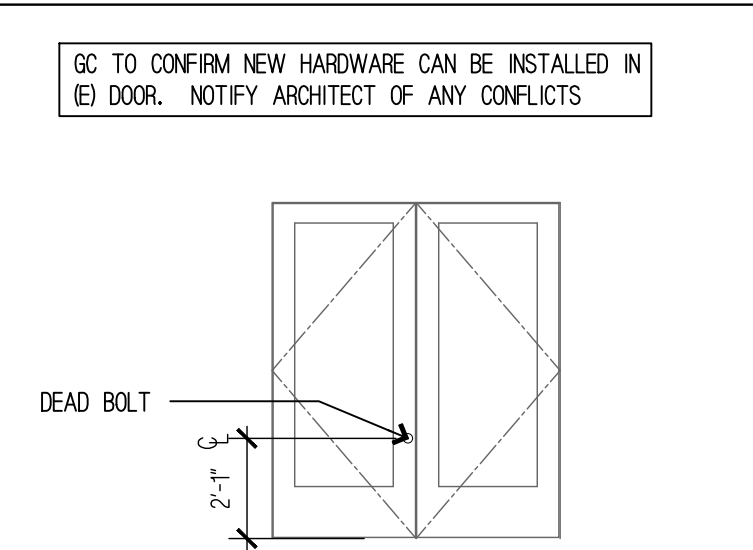
DOOR AND FRAME INFORMATION										
DOOR INFORMATION				FRAME INFORMATION				LOCK CORE	FIRE RATING LABEL	
NOMINAL SIZE (WxHxD)	MATERIAL	KICK PLATE		MATERIAL	JAMB	HEAD	SILL			
3'-0" X 7'-0" X 1-3/4"	WOOD	1		WOOD	13/AO-11	13/AO-11	-	1	NONE	
SIMPSON DOOR (OR APPROVED EQUAL) OVATION SERIES - 87516: 3-PANEL, FLAT PANEL, SHAKER MOLDING PAINT [PFS3]										
COMMENTS: (1) GC TO APPLY ATHLETA NAME AND SPACE NUMBER ON EXTERIOR SIDE OF EXIT DOOR; (2) PAINT PER ELEVATIONS										
DOOR HARDWARE INFORMATION										
QTY.	ITEM	DESCRIPTION								
3	HINGES	STA FBB179 4.5 X 4.5, 619 FINISH								
1	CLOSER	NORTON 8501XSN, ALUMINUM FINISH, 90 DEGREE HOLD OPEN								
3	SILENCERS	IVES SR66, 619 FINISH								
1	KICKPLATE	9" X 34" W X .05" THICK ALUMINUM KICKPLATE, 630 FINISH, PUSH SIDE ONLY								
1	WALL BUMPER	DON JO, #1407 2 1/2" DIA. WALL BUMPER, 619 FINISH OR IVES 2 1/2" DIA. WALL BUMPER WS401CCV-1/2, 619 FINISH - INSTALL ON WALL BEHIND DOOR AT SAME HEIGHT AS DOOR KNOB								
1	LOCKSET	TRILOGY LOCKSET - DL 2700 IC, 626 FINISH, WITH BEST IC 17626								
1	VIEWER	IVES U698 ONE WAY WIDE ANGLE, 619 FINISH MOUNT @ 4'-10" A.F.F.								
1	CLEAR PLASTIC CERTIFICATE HOLDER	12" X 17.5" X 1/8" MOUNT HORIZONTALLY, CENTER @ 5'-6" A.F.F.								
1	PRIVACY SIGN	SCOTT AP MOLDED PLAQUE 3"x6" CUSTOM "PRIVATE", COLOR: SLATE								
1	COAT HOOK	[CH-2] BY OWNER: MOUNT AT 4'-0" A.F.F. INTERIOR OF MANAGER'S OFFICE, BY OWNER								

**DOOR TYPE C - EMERGENCY EXIT (BY GC) -**



DOOR AND FRAME INFORMATION										
DOOR INFORMATION				FRAME INFORMATION				LOCK CORE	FIRE RATING LABEL	
NOMINAL SIZE (WxHxD)	MATERIAL	KICK PLATE		MATERIAL	JAMB	HEAD	SILL			
3'-0" X 7'-0" X 1-3/4"	WOOD	1		FL METAL	5/AO-11	5/AO-11	-	NONE	1HR	
SIMPSON DOOR (OR APPROVED EQUAL) OVATION SERIES - 87516: 3-PANEL, FLAT PANEL, SHAKER MOLDING PAINT [PFS3]										
COMMENTS: (1) GC TO APPLY ATHLETA NAME AND SPACE NUMBER ON EXTERIOR SIDE OF EXIT DOOR; (2) PAINT PER ELEVATIONS										
DOOR HARDWARE INFORMATION										
QTY.	ITEM	DESCRIPTION								
2	HINGES	STA FBB179 4.5 X 4.5 NRP, 619 FINISH								
1	PANIC	PRE FL2103 X 4903A X ALW - HARDWIRED - 619 FINISH SHOULD ACCEPT BEST 7-PIN CORE								
1	CLOSER	NORTON 8501XSN, ALUMINUM FINISH, 90 DEGREE HOLD OPEN								
1	MORT CYLINDER	BEST IE74, 619 FINISH								
1	RIM CYLINDER	BEST IE72, 619 FINISH								
1	GASKET (SMOKE SEAL)	PENKO SB8017								
1	THRESHOLD	PENKO 272A X 36, 619 FINISH								
1	VIEWER	IVES U698 B26D, 619 FINISH								
3	SILENCERS	IVES SR66, 619 FINISH								
1	KICKPLATE	9" X 34" W X .05" THICK ALUMINUM KICKPLATE, 619 FINISH, PUSH SIDE ONLY								
1	EDGE GUARD	DON-JO NLP-210: INSTALL ON LATCH SIDE PAINT TO MATCH DOOR AND FRAME								
1	ELECTRIC HINGES	STA FBB179 4.5 X 4.5 NRP ETW-4, 619 FINISH								
1	WIRING HARNESS	STA WH495								
1	EXIT DEVICE	WITH EMPLOYEE OVERRIDE (BOTH SIDES) - APEX 2100, W 1700A TRIM, AND EXIT ALARM KIT: 619 FINISH								

**DOOR TYPE A - EXISTING ENTRY (EXISTING DOORS & HARDWARE TO REMAIN)**



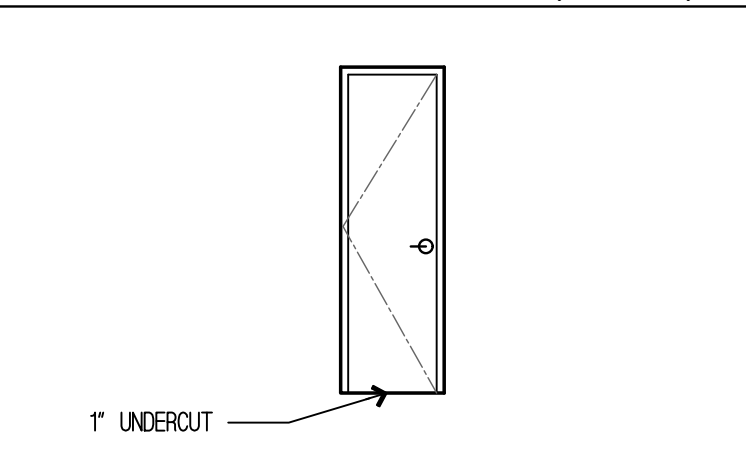
DOOR AND FRAME INFORMATION										
DOOR INFORMATION				FRAME INFORMATION				LOCK CORE	FIRE RATING LABEL	
NOMINAL SIZE (WxHxD)	MATERIAL	KICK PLATE		MATERIAL	JAMB	HEAD	SILL			
(E) 2 - 2'-8" X 11'-0" X 1 3/4"	WD	NONE		ALUM.				2	EXISTING TO REMAIN	
COMMENTS: GC TO CONFIRM (E) HARDWARE IS IN GOOD WORKING ORDER & REPLACE AS REQUIRED										
DOOR HARDWARE INFORMATION										
QTY.	ITEM	DESCRIPTION								
4 EA	HINGES	(E) TO REMAIN								
1 EA	LOCKS	ADAMS RITE MS-1851-A-3PT M40-86, BRUSHED NICKEL FINISH								
2 EA	CLOSERS	(E) TO REMAIN								
2 SETS	DOOR PULLS	(E) TO REMAIN								
1 EA	HANDICAPPED SIGNAGE	SPECIALIZED BUILDERS HDWR #60: 6"X6" ACCESSIBLE DECAL, BROWN BY GC								
6 EA	SILENCERS	IVES SR66, DARK GREY FINISH								
1 EA	MORT CYLINDER	BEST IE74 C81, GC TO RETROFIT TO ACCEPT 7-PIN CORE US26D FINISH								
1 EA	THRESHOLD	(E) TO REMAIN								
1 EA	THUMBTURN	CALIBRE DOOR CLOSERS - #183, CY-3 1 5/32 DIA THUMB TURN, US26D FINISH								
1 EA	SIGN	CLEAR WITH WHITE LETTERS TO READ "THESE DOORS TO REMAIN UNLOCKED WHEN BUILDING IS OCCUPIED" BY GC								
1 EA		(E) TO REMAIN								

**DOOR & HARDWARE SCHEDULE**

DOOR HARDWARE INFORMATION		DOOR TYPE	PROVIDED BY	INSTALLED BY
MARK	LOCATION			
(1)	ENTRY	TYPE A	(E)	G
(2)	EXIT	TYPE C	G	G
(3)	STOCK ROOM / EMPLOYEE AREA / MANAGER'S OFFICE	TYPE E	G	G
(4)	MENS TOILET	TYPE H	G	G
(5)	WOMENS TOILET	TYPE H	G	G
(6)	MOP SINK	TYPE D	G	G

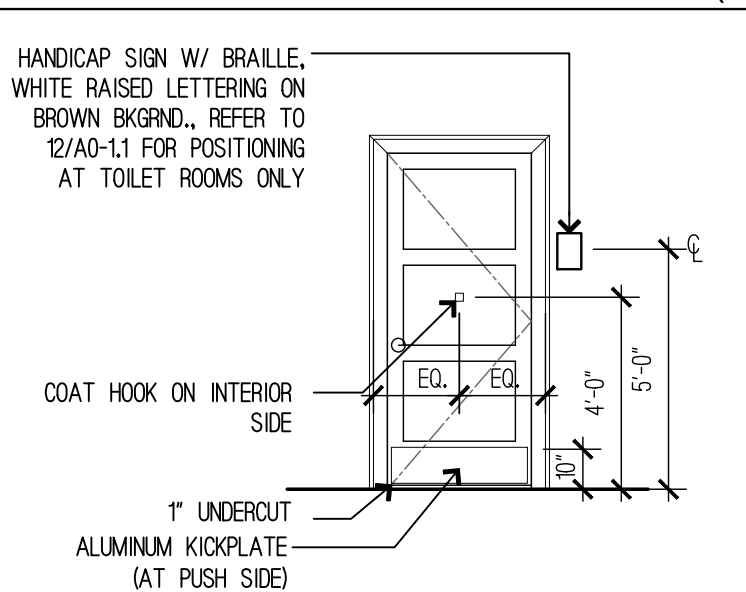
DOOR TYPE LEGEND

**DOOR TYPE D - MOP SINK (BY GC)**



DOOR AND FRAME INFORMATION										
DOOR INFORMATION				FRAME INFORMATION				LOCK CORE	FIRE RATING LABEL	
NOMINAL SIZE (WxHxD)	MATERIAL	KICK PLATE		MATERIAL	JAMB	HEAD	SILL			
2'-0" X 7'-0" X 1-3/4"	HM	1		HM	10/AO-11	10/AO-11	-	-	NONE	
COMMENTS:										
DOOR HARDWARE INFORMATION										
QTY.	ITEM	DESCRIPTION								
1	LATCHSET	BEST 73K CON 150 S3, 619 FINISH								
3	HINGES	STA FBB179 4.5 X 4.5, 619 FINISH								
1	CLOSER	NORTON 8501XSN, ALUMINUM FINISH								
3	SILENCERS	IVES SR66, 619 FINISH								

**DOOR TYPE H - RESTROOM DOOR (BY GC)**



DOOR AND FRAME INFORMATION										
DOOR INFORMATION				FRAME INFORMATION				LOCK CORE	FIRE RATING LABEL	
NOMINAL SIZE (WxHxD)	MATERIAL	KICK PLATE		MATERIAL	JAMB	HEAD	SILL			
3'-0" X 7'-0" X 1-3/4"	WOOD	1		WOOD	13/AO-11	13/AO-11	-	1	NONE	
SIMPSON DOOR (OR APPROVED EQUAL) OVATION SERIES - 87516: 3-PANEL, FLAT PANEL, SHAKER MOLDING PAINT [PFS3]										
DOOR HARDWARE INFORMATION										
QTY.	ITEM	DESCRIPTION								
1	LOCKSET W/ INDICATOR	BEST 45H716H-VIN, 619 FINISH								
3	HINGES	STA FBB179 4.5 X 4.5, 619 FINISH								
1	CLOSER	NORTON 8501XSN, ALUMINUM FINISH								
1	COAT HOOK	[CH-2] BY OWNER: MOUNT AT 4'-0" A.F.F. INTERIOR OF TOILET ROOMS, BY OWNER								
3	SILENCERS	IVES SR66, 619 FINISH								
1	WALL BUMPER	DON JO, #1407 2 1/2" DIA. WALL BUMPER, 619 FINISH OR IVES 2 1/2" DIA. WALL BUMPER WS401CCV-1/2, 619 FINISH - INSTALL ON WALL BEHIND DOOR AT SAME HEIGHT AS DOOR KNOB								
1	KICKPLATE	9" X 34" W X .05" THICK ALUMINUM KICKPLATE, FINISH 630, PUSH SIDE ONLY								

DOOR & HARDWARE SCHEDULE (CONTINUED)

3