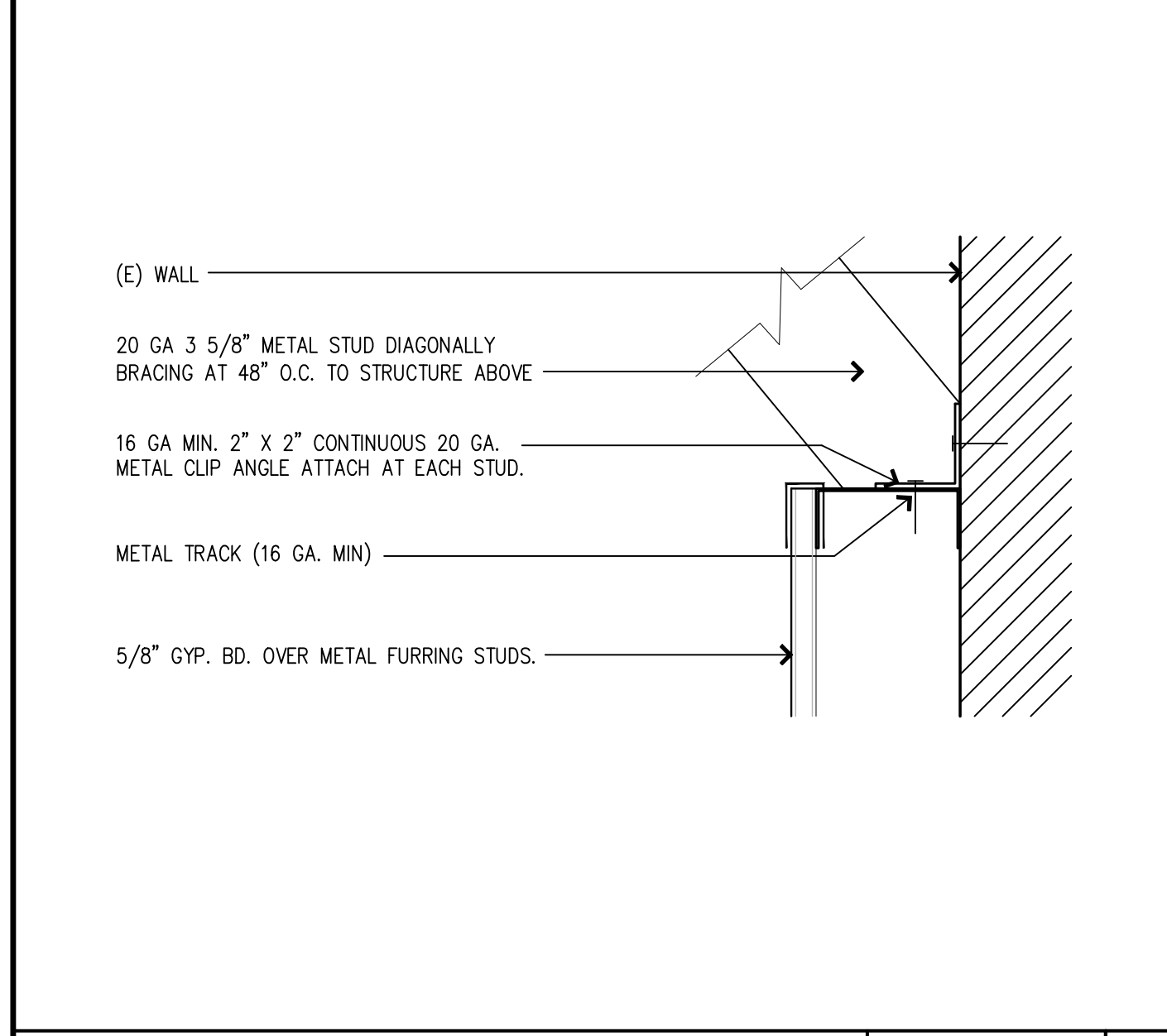


TYPICAL BLOCKING DETAIL SCALE: N.T.S. 9

TRACK ATTACHMENT TO STRUCTURE SCALE: N.T.S. 6B

WALL TYPE D - FIRE RATED CONDITION ONLY SCALE: N.T.S. 4

WALL TYPE B SCALE: N.T.S. 2



**ATTACHMENT SCHEDULE**

CONSTRUCTION OF (E) FULL-HEIGHT WALL	FASTENERS AT CONT. ANGLE	FASTENERS AT BRACING
BRICK	HILTI X-U UNIVERSAL POWDER ACTUATED FASTENERS	BRACING NOT REQUIRED
CMU	HILTI X-U UNIVERSAL POWDER ACTUATED FASTENERS	BRACING NOT REQUIRED
CONCRETE	HILTI X-U UNIVERSAL POWDER ACTUATED FASTENERS	BRACING NOT REQUIRED
3-5/8" MTL STUD W/GYP. BD.	#12-14 X 1-1/4" TO EACH STUD	3" X 3" X 20 GA. CLIP ANGLE X 0'-3"
6" MTL STUD W/GYP. BD.	#12-14 X 1-1/4" TO EACH STUD	2 #8-18 X 1/2" HWH TEKS/2
WOOD	#10 X 2'-2"L TO EACH WALL STUD IN SUB-DRILLED HOLES	BRACE AND TRACK WEBS

**NOTE TO GC:** REFER TO TYPICAL WALL SECTIONS ON G0-2.3 AND INTERIOR ELEVATIONS FOR ADDITIONAL INFORMATION ON WALL FINISHES & CONSTRUCTION.

**NOTE TO GC:** REFER TO DETAIL 5 / G0-2.2 FOR METAL STUD SPACING & SIZING INFORMATION.

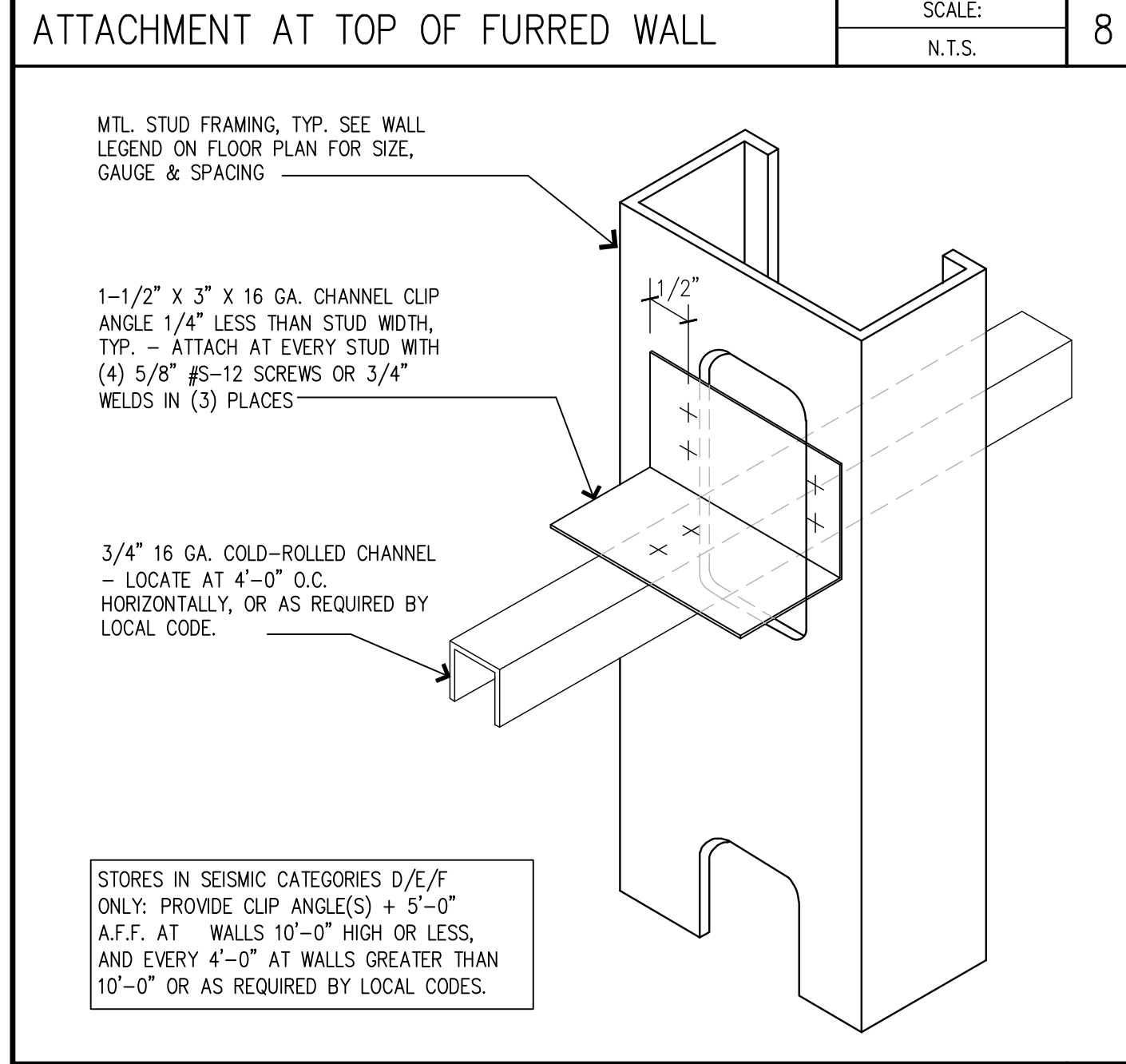
**NOTE TO GC:** REFER TO DETAIL 9 / G0-2.2 FOR GENERAL BLOCKING INFORMATION.

**ATTACHMENT AT TOP OF WALL** SCALE: N.T.S. 6A

CONSTRUCTION OF (E) FULL-HEIGHT WALL	FASTENERS AT CONT. ANGLE	FASTENERS AT BRACING
BRICK	HILTI X-U UNIVERSAL POWDER ACTUATED FASTENERS	BRACING NOT REQUIRED
CMU	HILTI X-U UNIVERSAL POWDER ACTUATED FASTENERS	BRACING NOT REQUIRED
CONCRETE	HILTI X-U UNIVERSAL POWDER ACTUATED FASTENERS	BRACING NOT REQUIRED
3-5/8" MTL STUD W/GYP. BD.	#12-14 X 1-1/4" TO EACH STUD	3" X 3" X 20 GA. CLIP ANGLE X 0'-3"
6" MTL STUD W/GYP. BD.	#12-14 X 1-1/4" TO EACH STUD	2 #8-18 X 1/2" HWH TEKS/2
WOOD	#10 X 2'-2"L TO EACH WALL STUD IN SUB-DRILLED HOLES	BRACE AND TRACK WEBS

**WALL TYPE C** SCALE: N.T.S. 3

CONSTRUCTION OF (E) FULL-HEIGHT WALL	FASTENERS AT CONT. ANGLE	FASTENERS AT BRACING
BRICK	HILTI X-U UNIVERSAL POWDER ACTUATED FASTENERS	BRACING NOT REQUIRED
CMU	HILTI X-U UNIVERSAL POWDER ACTUATED FASTENERS	BRACING NOT REQUIRED
CONCRETE	HILTI X-U UNIVERSAL POWDER ACTUATED FASTENERS	BRACING NOT REQUIRED
3-5/8" MTL STUD W/GYP. BD.	#12-14 X 1-1/4" TO EACH STUD	3" X 3" X 20 GA. CLIP ANGLE X 0'-3"
6" MTL STUD W/GYP. BD.	#12-14 X 1-1/4" TO EACH STUD	2 #8-18 X 1/2" HWH TEKS/2
WOOD	#10 X 2'-2"L TO EACH WALL STUD IN SUB-DRILLED HOLES	BRACE AND TRACK WEBS

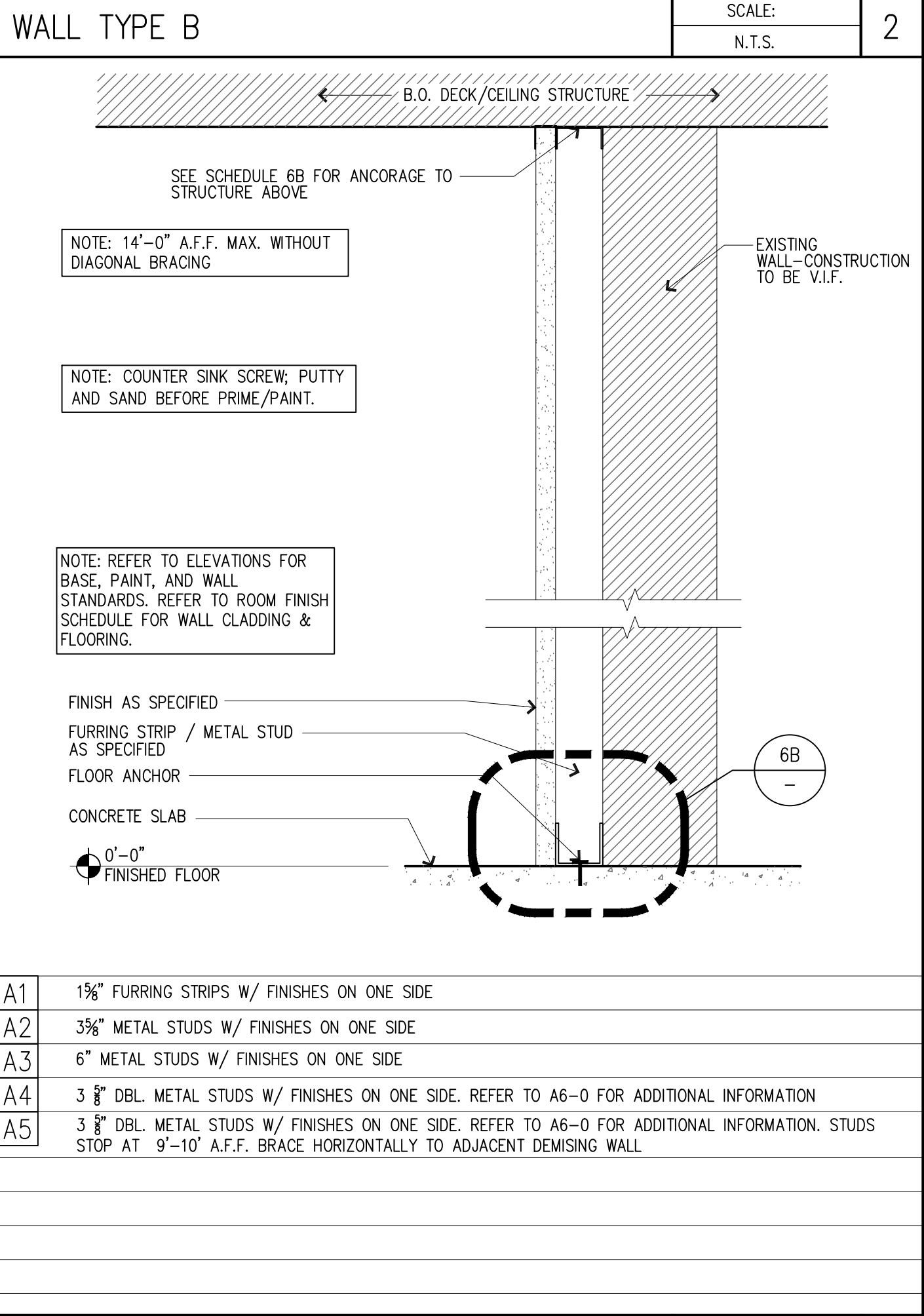
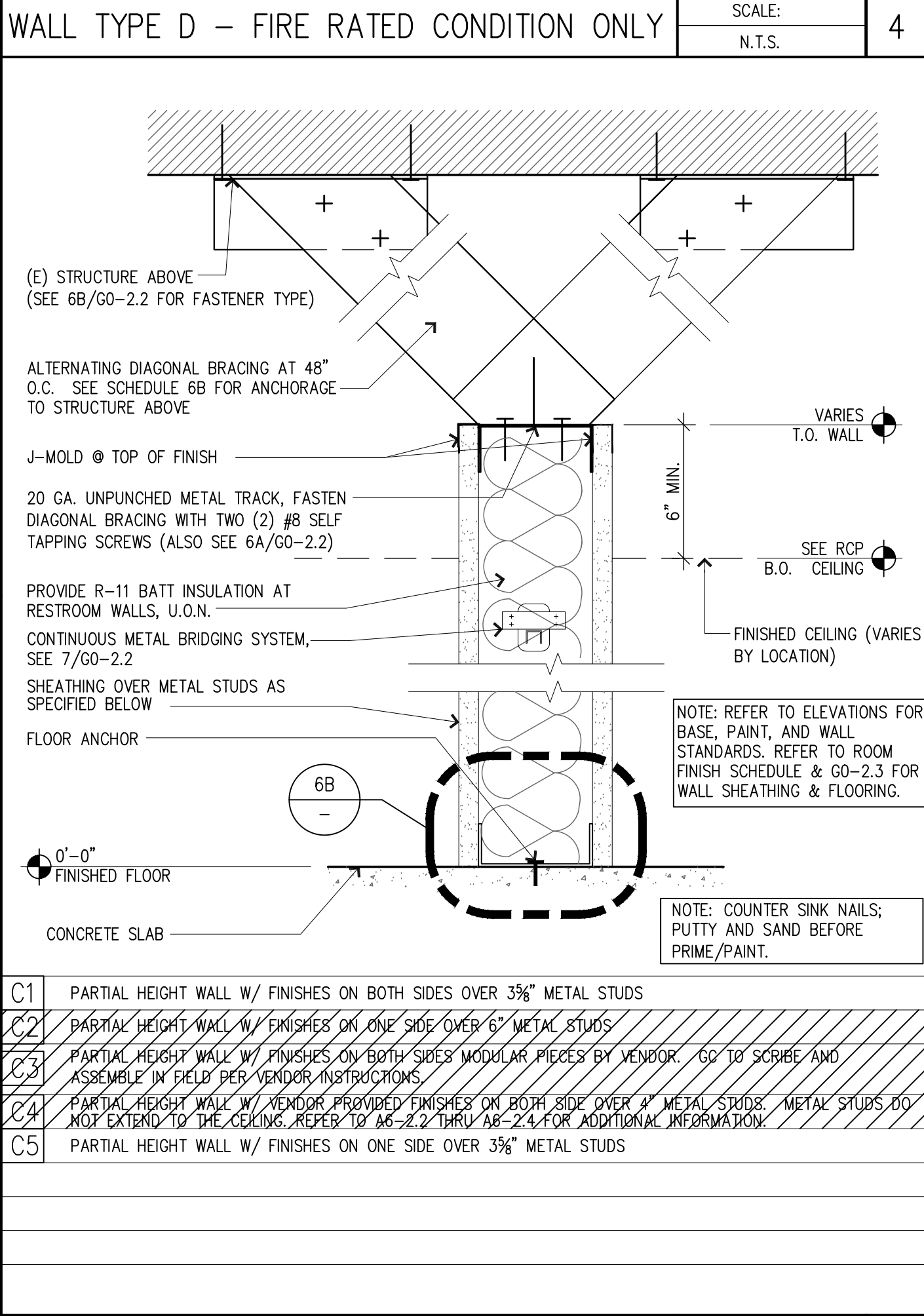


**METAL STUD CHART** SCALE: N.T.S. 5

**WALL STUD TABLE:**

MAXIMUM WALL HEIGHT	STUD SIZE	SPACING	REMARKS
10'-0"	362S162-33	16" O.C.	
16'-0"	362S162-43	16" O.C.	
18'-0"	362S162-54	16" O.C.	
20'-0"	362S162-68 ALT.600S162-33	16" O.C.	
22'-0"	600S162-33	16" O.C.	
24'-0"	600S162-43	16" O.C.	
26'-0"	600S162-54	16" O.C.	Fy = 50 KSI
28'-0"	600S162-54	16" O.C.	Fy = 50 KSI
30'-0"	800S162-43	16" O.C.	

**NOTE:** ALL STEEL TO BE MIN. Fy = 33 KSI U.N.O. ALL STUDS TO BE BRACED WITH 150U50-54 COLD ROLLED CHANNEL (CRC) @ 4'-0" O.C. VERT. (BRACING NOT REQUIRED WHEN WALL STUDS ARE SHEATHED EACH SIDE W/ MIN. 1/2" GYPSUM BOARD SCREWED AT 12" O.C.)



**ATHLETA**

GAP INC.  
CORPORATE ARCHITECTURE  
1 HARRISON STREET  
SAN FRANCISCO, CA 94105

STORE NO.: 7641

STORE NAME: PORTLAND

STORE LOCATION: 152 MIDDLE STREET  
PORTLAND, ME 04101

PROJ. I.D.: 0000053405

PROTOTYPE DATE: 09/4/15  
PROTOTYPE VERSION 4.1

CONSULTANT INFO:

PROFESSIONAL STAMP:

ARCHITECT INFO: ChipmanDesign Architecture Inc.

HEREBY CERTIFY THAT THESE PLANS HAVE BEEN PREPARED IN MY OFFICE AND UNDER MY SUPERVISION AND THAT TO THE BEST OF MY KNOWLEDGE, THE SAME COMPLY WITH ALL LOCAL, STATE, FEDERAL AND INTERNATIONAL REGULATIONS AND ORDINANCES OF PORTLAND, ME RELATING TO STRUCTURES AND BUILDINGS.

ISSUE TYPE: 100% CD CHECKSET 5/20/16 PERMIT / BID LL APPROVAL

DRAWN BY: NR  
A&E JOB NO.: 16-5433

SHEET TITLE: WALL TYPE DETAILS & DESCRIPTIONS

SHEET NUMBER: G0-2.2