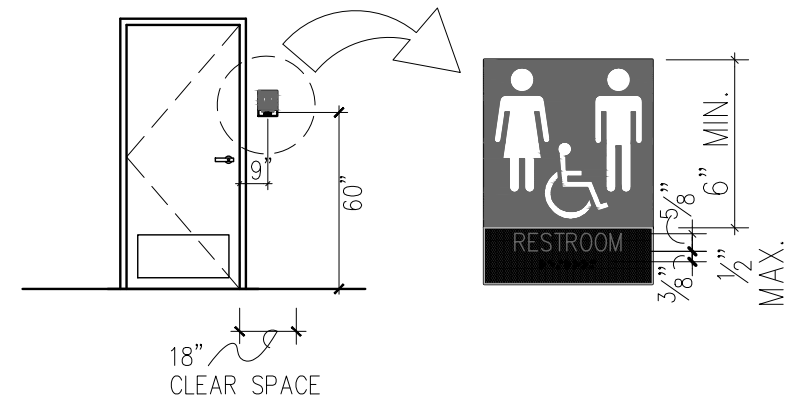


**1 WALKS AND SIDEWALKS**

- A. WALKS AND SIDEWALKS SHALL HAVE A CONTINUOUS COMMON SURFACE NOT INTERRUPTED BY STEPS OR BY ABRUPT CHANGES IN LEVEL EXCEEDING 1/4 INCH, AND SHALL BE A MINIMUM OF 4 FEET IN WIDTH.
- B. SURFACES WITH A SLOPE OF LESS THAN 6 PERCENT GRADIENT SHALL BE AT LEAST AS SLIP RESISTANT AS THAT DESCRIBED AS A MEDIUM SALTED FINISH.
- C. SURFACES WITH A SLOPE OF 6 PERCENT GRADIENT OR GREATER SHALL BE SLIP-RESISTANT.
- D. SURFACE CROSS SLOPES SHALL NOT EXCEED 1/4 INCH PER FOOT.
- E. WALKS, SIDEWALKS AND PEDESTRIAN WAYS SHALL BE FREE OF GRATING WHENEVER POSSIBLE. FOR GRATINGS LOCATED IN THE SURFACE OF ANY OF THESE AREAS, GRID OPENINGS IN GRATINGS SHALL BE PERPENDICULAR TO THE PROMINENT DIRECTION OF TRAVEL, AND A MAXIMUM OF 1/2" IN SIZE.
- F. WHEN THE SLOPE IN THE DIRECTION OF TRAVEL OF ANY WALK EXCEEDS 1 VERTICAL TO 20 HORIZONTAL IT SHALL COMPLY WITH THE PROVISIONS FOR PEDESTRIAN RAMPS.
- G. ABRUPT CHANGES IN LEVEL ALONG ANY ACCESSIBLE ROUTE SHALL NOT EXCEED 1/2 INCH. WHEN CHANGES IN LEVEL DO OCCUR, THEY SHALL BE BEVELED WITH A SLOPE NO GREATER THAN 1:2 EXCEPT THAT LEVEL CHANGES NOT EXCEEDING 1/4 INCH MAY BE VERTICAL. WHEN CHANGES IN LEVEL GREATER THAN 1/2 INCH ARE NECESSARY COMPLY WITH THE REQUIREMENTS FOR CURB RAMPS.
- H. WALKS SHALL BE PROVIDED WITH A LEVEL AREA NOT LESS THAN 60 INCHES BY 60 INCHES AT A DOOR OR GATE THAT SWINGS TOWARD THE WALK, AND NOT LESS THAN 48 INCHES WIDE BY 44 INCHES DEEP THAT A DOOR OR GATE THAT SWINGS AWAY FROM THE WALK. SUCH WALKS SHALL EXTEND 24 INCHES TO THE SIDE OF THE STRIKE EDGE OF A DOOR OR GATE THAT SWINGS TOWARD THE WALK.
- I. ABRUPT CHANGES IN LEVEL EXCEEDING 4 INCHES VERTICAL TO BE IDENTIFIED BY CURBS 6 INCHES MIN. IN HEIGHT OR GUARD RAILS TO WARN BLIND PERSONS OF A POTENTIAL DROP OFF. NO CURB REQUIRED IF GUARD IS PROVIDED.
- J. IF A WALK CROSSES OR ADJOINS A VEHICULAR WAY, AND THE WALKING SURFACES ARE NOT SEPARATED BY CURBS, RAILINGS OR OTHER ELEMENTS BETWEEN THE PEDESTRIAN AREAS AND VEHICULAR AREAS, THE BOUNDARY BETWEEN THE AREAS SHALL BE DEFINED BY A CONTINUOUS DETECTABLE WARNING WHICH IS 36 INCHES WIDE. SEE DETECTABLE WARNING TEXTURE DETAIL.

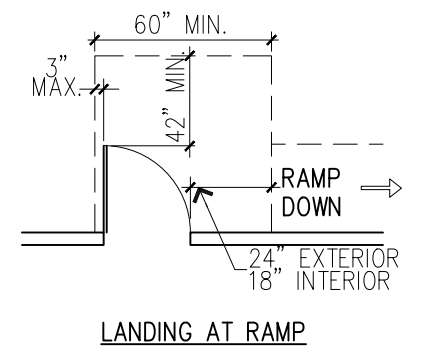
**2 TACTILE SIGNAGE**

- A. SIGNS IDENTIFYING PERMANENT ROOMS OR SPACES OR PROVIDING INFORMATION OR DIRECTIONS, TO INCLUDE RAISED CHARACTERS, CONTRACTED GRADE II BRAILLE AND PICTORIAL SYMBOLS.
- B. WHEN SIGNS IDENTIFY, OR GIVE INFORMATION ABOUT ACCESSIBLE ELEMENTS AND FEATURE OF A BUILDING OR SITE, THEY SHALL INCLUDE THE APPROPRIATE SYMBOL OF ACCESSIBILITY OR PICTOGRAM, WITH THE EQUIVALENT VISUAL AND TACTILE DESCRIPTION PLACED DIRECTLY BELOW THE PICTOGRAM. THE OUTSIDE BORDER OF THE PICTOGRAM SHALL BE MINIMUM 6" IN HEIGHT.
- C. VISUAL CHARACTERS SHALL BE UPPERCASE, STANDARD SANS SERIF FONT. VISUAL CHARACTERS TO HAVE A WIDTH-TO-HEIGHT RATION OF BETWEEN 3:5 AND 1:1 MEASURED BY THE WIDTH OF AN UPPERCASE O & THE HEIGHT OF AN UPPERCASE I & A STROKE WIDTH-TO-HEIGHT RATIO OF BETWEEN 1:5 & 1&10 MEASURED BY THE WIDTH OF AN UPPERCASE I. CHARACTERS AND SYMBOLS SHALL CONTRAST WITH THEIR BACKGROUND. CHARACTERS, SYMBOLS AND BACKGROUNDS SHALL HAVE A NON-GLARE FINISH.
- D. TACTILE CHARACTERS SHALL BE UPPERCASE, STANDARD SANS SERIF FONT, RAISED 1/32" OFF THE BACKGROUND. THE HEIGHT OF TACTILE CHARACTERS SHALL BE BETWEEN 5/8" AND 2". CHARACTERS SHALL BE ACCOMPANIED BY GRADE II BRAILLE LOCATED 3/8 MIN. BELOW BOTTOM EDGE OF CHARACTER.
- E. GRADE 2 BRAILLE SHALL HAVE DOMED OR ROUNDED DOTS RAISED 1/40" OFF THE BACKGROUND, WITH DOTS SPACED 1/10" WITH-IN CELLS, AND 2/10" BETWEEN CELLS.
- F. TACTILE SIGNS SHALL BE MOUNTED 48" MINIMUM, TO THE BASELINE OF THE LOWEST TACTILE LETTER, AND 60" MAXIMUM ABOVE THE FLOOR TO THE BASELINE OF THE HIGHEST TACTILE LETTER. AN 18" X 18" CLEAR SPACE IS REQUIRED IN FRONT OF THE TACTILE SIGN, BEYOND THE ARC OF ANY DOOR SWING, WHERE SIGNS ARE MOUNTED AT DOORS, THE SIGN SHALL BE ON THE LATCH SIDE OF THE DOOR, WHERE SIGNS ARE MOUNTED AT DOUBLE DOORS, OR WHERE THERE IS NO WALL SPACE, THE SIGN SHALL BE MOUNTED ON THE NEAREST ADJACENT WALL, PREFERABLY THE RIGHT SIDE.



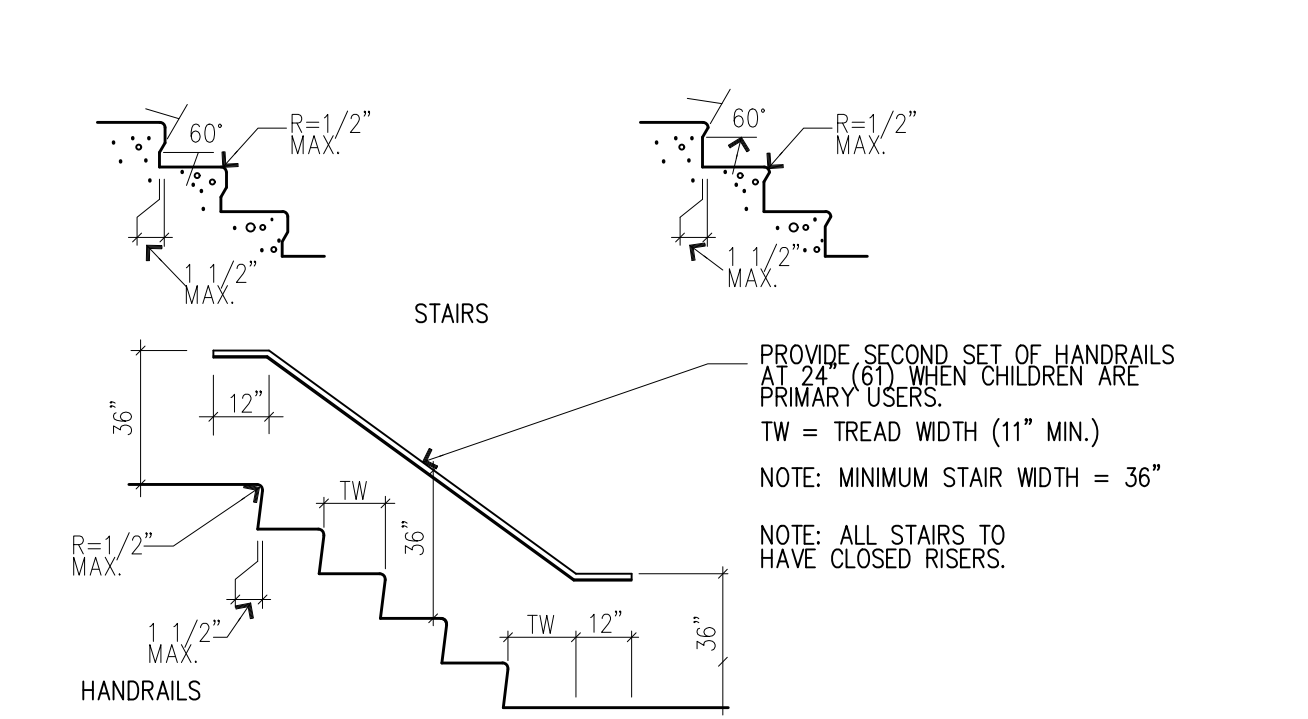
**3 RAMPS**

- A. ANY PATH OF TRAVEL SHALL BE CONSIDERED A RAMP IF ITS SLOPE IS GREATER THAN 1:20 (1:12 MAXIMUM)
- B. 1:12 SLOPED RAMPS WITH LENGTH GREATER THAN 72" SHALL HAVE HANDRAILS ON BOTH SIDES.
- C. THE TOP LANDINGS ON A RAMP MUST BE AT LEAST 60 INCHES IN DEPTH.
- D. IF A DOOR SWINGS ONTO A TOP LANDING, THE MIN. LANDING DIMENSION SHALL BE NOT LESS THAN 42 INCHES CLEAR PLUS THE WIDTH OF THE DOOR.
- E. THE TOP LANDING SHALL HAVE A WIDTH NOT LESS THAN ITS DEPTH.
- F. THE TOP LANDING SHALL EXTEND NOT LESS THAN 24-INCHES BEYOND THE STRIKE SIDE OF THE DOOR AT EXTERIOR RAMPS AND 18-INCHES AT INTERIOR RAMPS.
- G. THE BOTTOM LANDING SHALL BE NOT LESS THAN 60 INCHES DEEP
- H. INTERMEDIATE LANDINGS SHALL BE PROVIDED AT TURNS AND WHENEVER THE CHANGE IN LEVEL EXCEEDS 30 INCHES.
- I. INTERMEDIATE LANDINGS ON RAMPS SHALL HAVE A DEPTH OF NOT LESS THAN 5'-0", WHERE A CHANGE IN RAMP DIRECTION OCCURS, A MINIMUM 72" BY 72" LANDING SHALL BE PROVIDED.
- J. RAMPS SHALL BE NOT LESS THAN 4'-0" WIDE. RAMPS SERVING A PRIMARY ENTRANCE FOR AN OCCUPANT LOAD OF 300 OR MORE PEOPLE SHALL BE NOT LESS THAN 5'-0" WIDE.
- K. HANDRAILS SHALL BE PLACED ON EACH SIDE OF EACH RAMP AND SHALL BE CONTINUOUS THE FULL LENGTH OF THE RAMP. HANDRAILS SHALL BE 34 TO 38 INCHES ABOVE THE RAMP SURFACE AND EXTEND A MINIMUM OF 1 FOOT BEYOND THE TOP AND BOTTOM OF THE RAMP.
- L. SURFACES OF RAMPS SHALL BE SLIP-RESISTANT.
- M. RAMPS & LANDINGS WITH DROP OFFS SHALL HAVE CURBS, WALLS, RAILING OR PROJECTING SURFACES THAT PREVENT PEOPLE FROM SLIPPING OFF THE RAMP. CURB SHALL BE A MIN. 2" IN HEIGHT. MAXIMUM ELEVATION CHANGE BETWEEN LANDINGS IS 30"



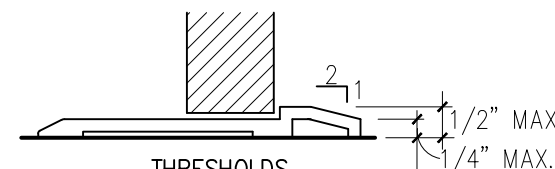
**4 STAIRS**

- A. STAIRWAYS SHALL HAVE HANDRAILS ON EACH SIDE. HANDRAILS MUST BE 1 1/4 INCHES TO 2 INCHES IN CROSS SECTIONAL DIMENSION AND 1 1/2 INCHES CLEAR FROM THE WALL. EDGES SHALL HAVE A MINIMUM RADIUS OF 1/8 INCH. HANDRAILS SHALL NOT ROTATE IN THEIR FITTINGS.
- B. EXTERIOR STAIRS: CAST IRON (NON-SKID) STAIR NOSINGS MIN. 2" WIDE CONTRASTING COLOR STRIPE AT UPPER APPROACH AND AT EVERY TREAD.
- C. INTERIOR STAIRS: MINIMUM 2 INCH WIDE CONTRASTING COLOR STRIPE AT UPPER APPROACH AND LOWER TREAD OF EACH FLIGHT OF STAIRS TO BE LOCATED 1 INCH FROM NOSING. STRIPE TO BE AS SLIP-RESISTANT AS STAIR TREADS.

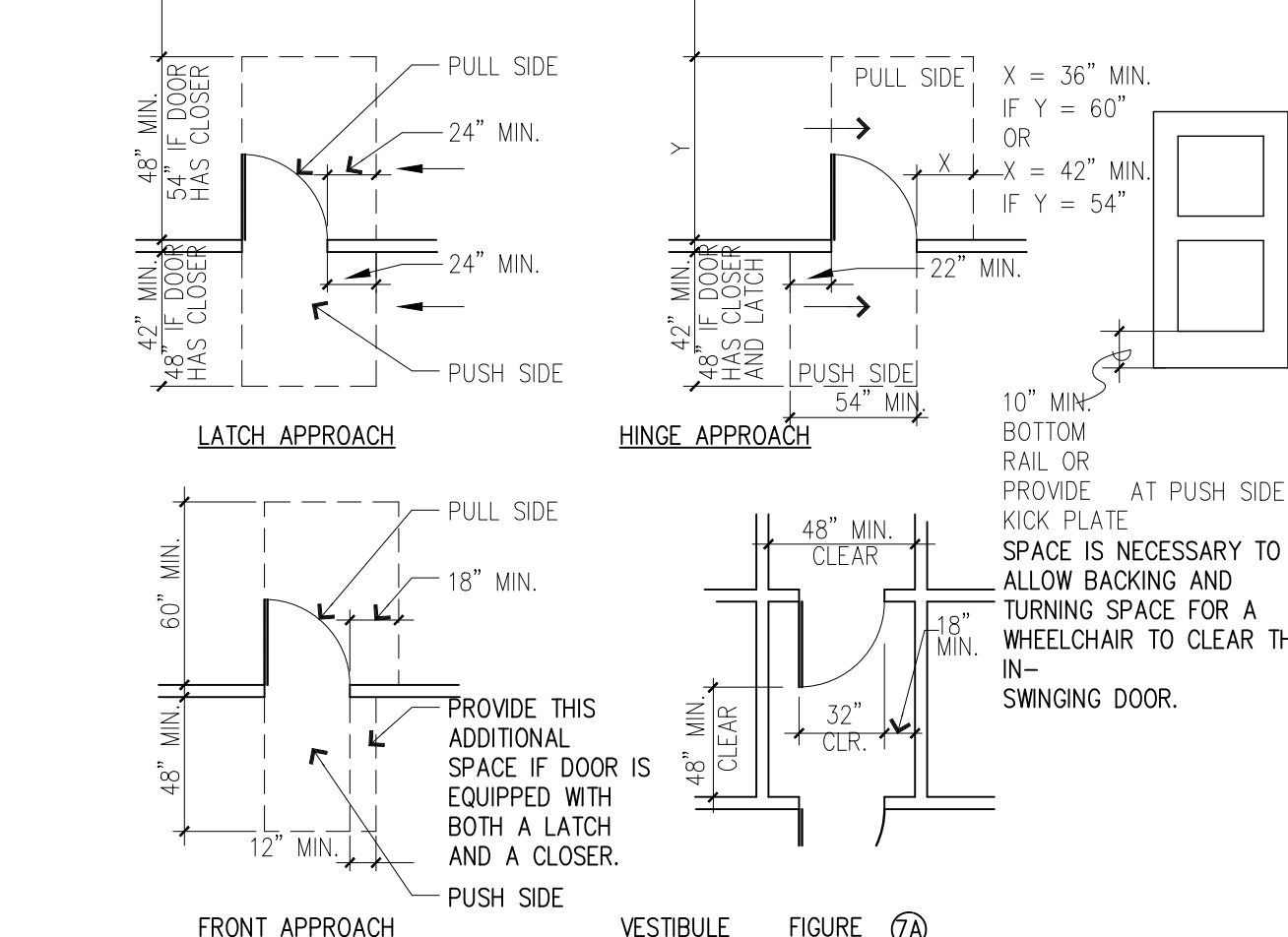


**5 DOORS**

- A. LATCHES AND LOCKSETS: PROVIDE LEVER TYPE, PUSH- PULL OR PANIC TYPE HARDWARE 34 INCHES TO 48 INCHES ABOVE FLOOR.
- B. ADJUSTABLE CLOSURE PROVIDED WITH MAXIMUM PRESSURE FOR OPENING DOORS AS FOLLOWS:  
 INTERIOR DOORS - 5 POUNDS PRESSURE  
 EXTERIOR DOORS - 8.5 POUNDS PRESSURE  
 FIRE DOORS - PER ADMINISTRATIVE AUTHORITY  
 DOOR CLOSURES TO BE ADJUSTED TO CLOSE FROM AN OPEN POSITION OF 90 DEG IN NOT LESS THAN 5 SECONDS TO A POINT 12" FROM LATCH. ADJUST CLOSURES AFTER INSTALLATION AND TEST DOOR COMPLIANCE.
- C. FLOOR LEVEL AT DOORS  
 THRESHOLDS: THE FLOOR OR LANDING SHALL NOT BE MORE THAN 1/2 INCH LOWER THAN THE THRESHOLD OF THE DOOR WAY. CHANGE IN LEVEL BETWEEN 1/4 INCH AND 1/2 INCH SHALL BE BEVELED WITH A SLOPE NO GREATER THAN 1:2. (SEE BELOW).



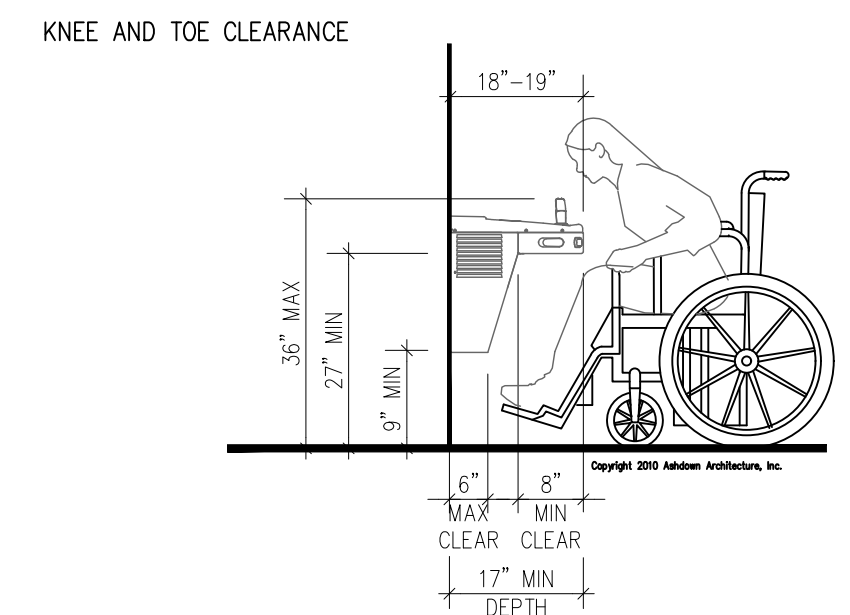
LEVEL FLOOR OR LANDING: THERE SHALL BE A LEVEL AND CLEAR AREA ON EACH SIDE OF AN EXIT DOOR. THE LEVEL AREAS SHALL BE AS SHOWN BELOW IN FIGURE 7A. THE SPACE BETWEEN TWO CONSECUTIVE DOOR OPENING (VESTIBULE) SHALL PROVIDE 48 INCHES OF CLEAR SPACE FROM ANY DOOR OPENING INTO SUCH SPACE (SEE BELOW).



- D. DOOR WIDTH & HEIGHT: 3 FEET WIDE AND 6 FEET 8 INCHES HIGH. CLEAR WIDTH: 32 INCHES MINIMUM WITH DOOR OPEN 90 DEG. MEASURED FROM THE FACE OF DOOR TO OPPOSITE STOP.
- E. THE BOTTOM 10 INCHES OF ALL DOORS EXCEPT AUTOMATIC AND SLIDING SHALL HAVE A SMOOTH UNINTERRUPTED SURFACE TO ALLOW THE DOOR TO BE OPENED BY A WHEELCHAIR FOOTREST WITHOUT CREATING A TRAP OR HAZARDOUS CONDITION.

**6 PROTRUDING OBJECTS**

- A. PROJECTIONS FROM WALLS WITH LEADING EDGE BETWEEN 27" AND 80" ABOVE FLOOR MAY PROJECT 4" MAXIMUM. LEADING EDGE AT OR BELOW 27" MAY PROJECT ANY AMOUNT. FREE STANDING PROJECTIONS WITH LEADING EDGE BETWEEN 27" AND 80" ABOVE FLOOR MAY PROJECT 12" MAX. PROJECTIONS MAY NOT REDUCE MANEUVERING SPACE, OR CLEAR WIDTH OF AN ACCESSIBLE ROUTE.
- B. HEAD ROOM: 80" MINIMUM.

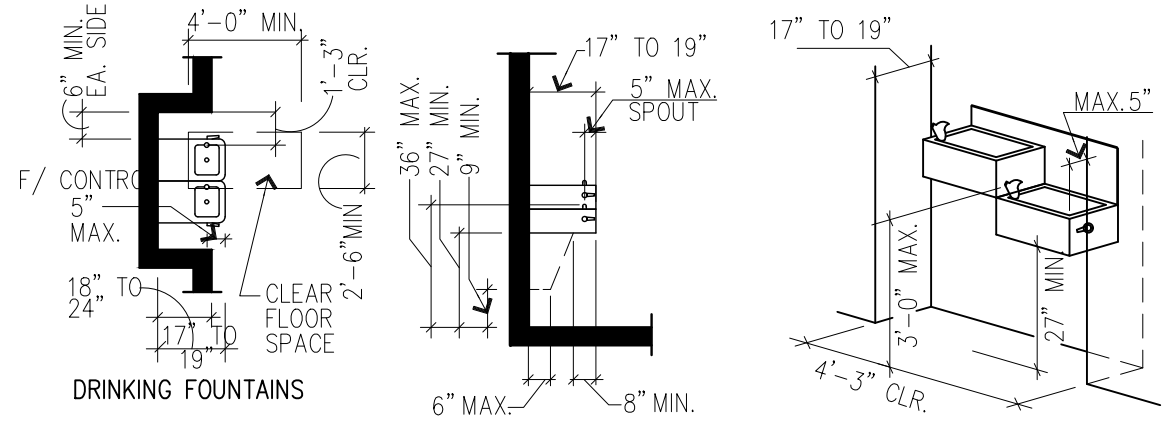


**7 ELECTRICAL**

- A. ELECTRICAL RECEPTACLES (15, 20 AND 30 AMPS) SHALL BE AT LEAST 15 INCHES ABOVE THE FLOOR.
- B. SWITCHES AND CONTROLS FOR LIGHTS, APPLIANCES, COOLING, HEATING AND VENTILATING EQUIPMENT SHALL BE NOT LESS THAN 3 FEET NOR MORE THAN 4 FEET ABOVE THE FLOOR.
- C. FIRE ALARM INITIATING DEVICES SHALL BE 48 INCHES MAX ABOVE THE FLOOR, GROUND OR SIDEWALK.

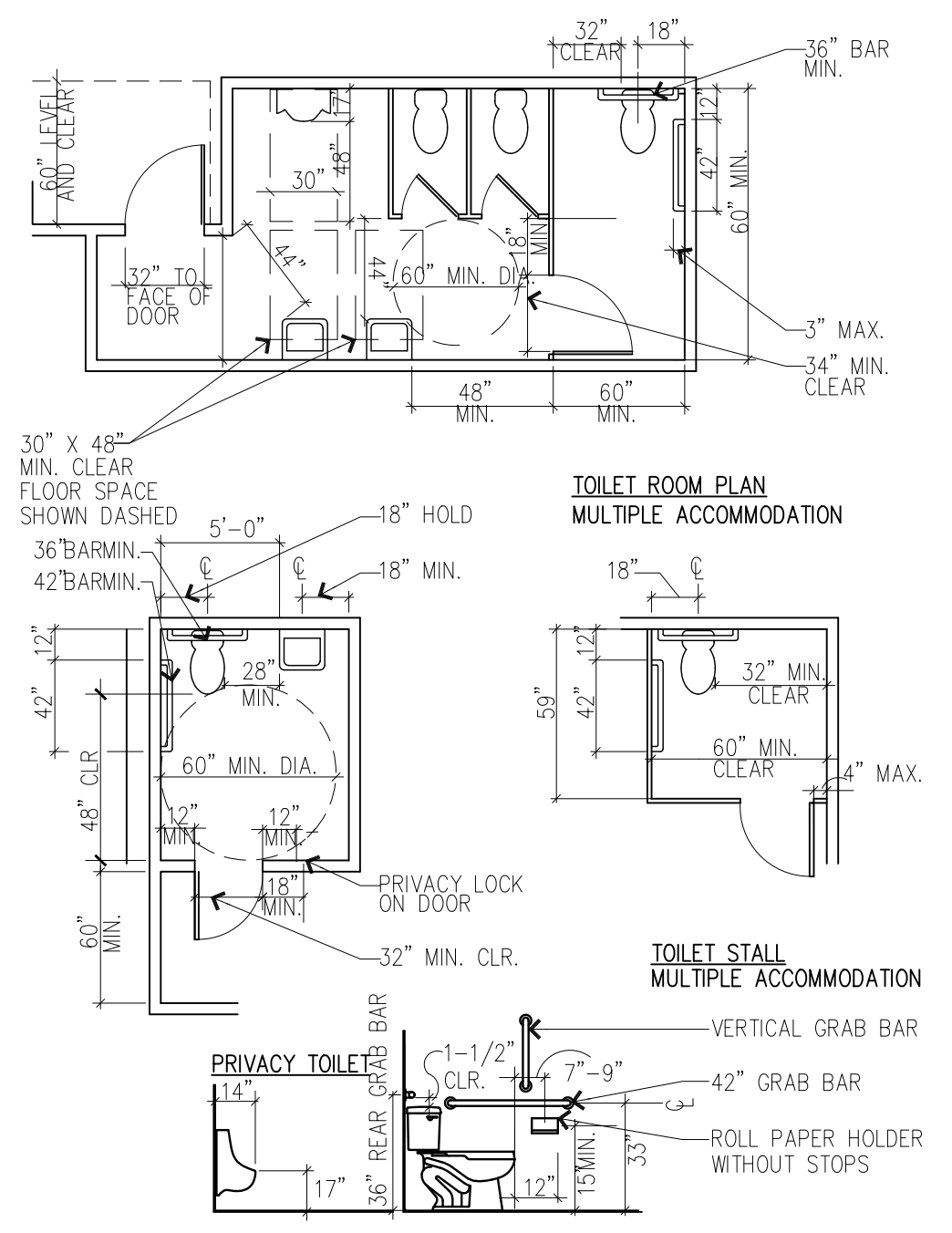
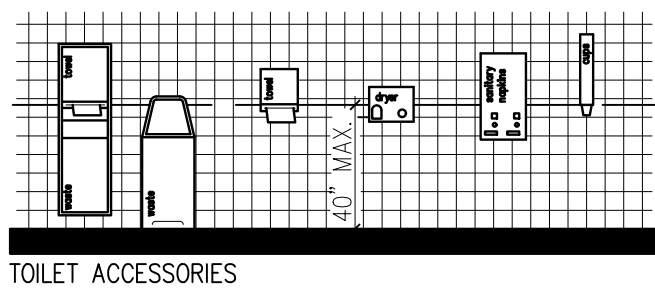
**8 DRINKING FOUNTAINS**

- A. PROVIDE HI-LOW DRINKING FOUNTAIN, 17 INCHES TO 19 INCHES IN DEPTH WITH CLEAR KNEE SPACE BETWEEN BOTTOM OF APRON AND FLOOR NOT LESS THAN 27 INCHES HIGH, 30 INCHES WIDE AND PROJECTING 8 INCHES UNDER FRONT EDGE OF FOUNTAIN.
- B. SPOUT OUTLET FOR LOWER FOUNTAIN TO BE 36 INCHES MAXIMUM ABOVE FLOOR. SPOUT OUTLET FOR UPPER FOUNTAIN TO BE BETWEEN 38 INCHES AND 43 INCHES ABOVE FLOOR.
- C. BUBBLER TO BE ACTIVATED BY A HAND OPERATED LEVER LOCATED WITHIN 6 INCHES OF THE FRONT OF THE FOUNTAIN OR BY A PUSH BAR ALONG THE FRONT OF THE FOUNTAIN.
- D. BUBBLER TO PROVIDE A FLOW OF WATER 4 INCHES HIGH AND BE LOCATED 5 INCHES MAXIMUM FROM FRONT OF UNIT.



**9 SANITARY FACILITIES**

- B. ACCESSIBLE COMPARTMENT DOORS SHALL BE EQUIPPED WITH AN AUTOMATIC CLOSING DEVICE. THE INSIDE AND OUTSIDE OF THE COMPARTMENT DOOR SHALL BE EQUIPPED WITH A LOOP OR U-SHAPED HANDLE IMMEDIATELY BELOW THE LATCH. THE LATCH SHALL BE FLIP-OVER STYLE, SLIDING, OR OTHER HARDWARE NOT REQUIRING THE USER TO GRASP OR TWIST.
- C. WATER CLOSET: FLUSH CONTROLS ARE TO BE OPERABLE BY AN OSCILLATING HANDLE WITH A MINIMUM OPERATING FORCE OF 5 LB/F OR BY A LOW VOLTAGE BUTTON. THE HANDLE OR BUTTON IS TO BE LOCATED ON THE WIDE SIDE SO AS TO BE OPERABLE WITHOUT REQUIRING EXCESSIVE BODY MOVEMENT.
- D. URINALS: PROVIDE ALL WALL HUNG URINALS WITH ELONGATED RIM. FLUSH CONTROLS ARE TO BE HAND OPERATED AND ARE TO MEET THE SAME REQUIREMENTS AS THE FLUSH CONTROLS FOR THE WATER CLOSET AND ARE TO BE A MAXIMUM OF 44 INCHES ABOVE THE FLOOR. RIM ELEVATION TO BE 17 INCHES MAX A.F.F. AND PROJECT A MINIMUM OF 13 1/2 INCHES FROM FACE OF WALL.
- E. LAVATORY: TO BE MOUNTED WITH RIM NO HIGHER THAN 34 INCHES ABOVE FINISH FLOOR. PROVIDE A CLEARANCE OF AT LEAST 27 INCHES FROM THE FLOOR TO THE BOTTOM OF THE APRON WITH KNEE CLEARANCE UNDER THE FRONT LIP EXTENDING A MINIMUM OF 30 INCHES WIDE, TO 8 INCHES MINIMUM DEPTH AT THE TOP. PROVIDE FOR CLEAR FLOOR SPACE 30 INCHES WIDE X 48 INCHES DEEP, TO 9 INCHES ABOVE THE FLOOR EXTENDING 19 INCHES MAX. UNDER FRONT OF LAVATORY. INSULATE SUPPLY AND DRAIN PIPES UNDER LAVATORIES. NO SHARP OR ABRASIVE SURFACES ARE ALLOWED UNDER LAVATORIES. FAUCET CONTROLS TO BE OPERABLE WITH ONE HAND AND NOT REQUIRE GRASPING, PINCHING, OR TWISTING OF THE WRIST. THE FORCE NECESSARY TO OPERATE CONTROLS IS NOT TO EXCEED 5 LB/F.
- F. ACCESSORIES: WHERE TOWEL, SANITARY NAPKIN AND WASTE RECEPTACLES AND SIMILAR DISPENSING AND DISPOSAL FIXTURES ARE PROVIDED, AT LEAST ONE OF EACH TYPE IS TO BE LOCATED WITH ALL OPERABLE PARTS, INCLUDING COIN SLOTS, WITHIN 40 INCHES FROM THE FLOOR.  
 MOUNT MIRRORS WITH THE BOTTOM EDGE OF THE REFLECTIVE SURFACE NO MORE THAN 40 INCHES FROM THE FLOOR WHEN OVER A LAVATORY OR COUNTER. MIRRORS NOT LOCATED ABOVE LAVATORIES OR COUNTERS SHALL BE MOUNTED NO MORE THAN 20" FROM THE FLOOR.  
 LOCATE TOILET TISSUE DISPENSERS ON THE WALL WITH THE CENTER OF THE DISPENSER 7" TO 9" MAX. FROM THE FRONT EDGE OF THE TOILET SEAT.
- G. THE STRUCTURAL STRENGTH OF GRAB BARS, FASTENERS, AND MOUNTING DEVICES SHALL MEET THE SPECIFICATIONS OF THE AMERICANS WITH DISABILITIES ACT.
- H. SINGLE ACCOMMODATION: A CLEAR FLOOR SPACE OF AT LEAST 60 INCHES IN DIAMETER IS REQUIRED FOR SINGLE ACCOMMODATION TOILET ROOMS.



NOTE: THESE FIGURES ARE ILLUSTRATIVE ONLY AND DO NOT DELINEATE THE ONLY MEANS OF COMPLIANCE. REFER TO PLANS FOR EXACT LAYOUT OF TOILET ROOMS.

**10 PUBLIC TELEPHONES**

- A. A CLEAR FLOOR OR GROUND SPACE AT LEAST 30 INCHES IN BY 48 INCHES THAT ALLOWS EITHER A FORWARD OR PARALLEL APPROACH BY A PERSON USING A WHEELCHAIR SHALL BE PROVIDED AT TELEPHONES, BASES, ENCLOSURES, AND FIXED SEATS SHALL NOT IMPEDE APPROACHES BY PEOPLE WHO USE WHEELCHAIRS.
- B. THE HIGHEST OPERABLE PART OF THE TELEPHONE SHALL BE NO HIGHER THAN 48 INCHES ABOVE FINISH FLOOR.

NEW STORE

**ATHLETA**

GAP INC.  
CORPORATE ARCHITECTURE  
1 HARRISON STREET  
SAN FRANCISCO, CA 94105

STORE NO.: 7641

STORE NAME: PORTLAND

STORE LOCATION:  
152 MIDDLE STREET  
PORTLAND, ME 04101

PROJ. I.D.: 0000053405

PROTOTYPE DATE: 09/4/15  
PROTOTYPE VERSION 4.1

CONSULTANT INFO:

PROFESSIONAL STAMP:

ARCHITECT INFO:  
**ChipmanDesign**  
Architecture Inc.  
7100 S. River Road, Suite 600  
Des Moines, Illinois 60018  
1-847-298-0850 Fax: 847-298-0854

I HEREBY CERTIFY THAT THESE PLANS HAVE BEEN PREPARED IN MY OFFICE AND UNDER MY SUPERVISION AND THAT TO THE BEST OF MY KNOWLEDGE, THE SAME COMPLY WITH ALL LOCAL, STATE, FEDERAL AND ORDINANCES OF PORTLAND, ME RELATING TO STRUCTURES AND BUILDINGS.

ISSUE TYPE:  
100% CD CHECKSET 5/20/16  
PERMIT / BID  
LL APPROVAL

DRAWN BY: NR  
A&E JOB NO: 16-5433

SHEET TITLE:  
ACCESSIBILITY COMPLIANCE

SHEET NUMBER:  
G0-1