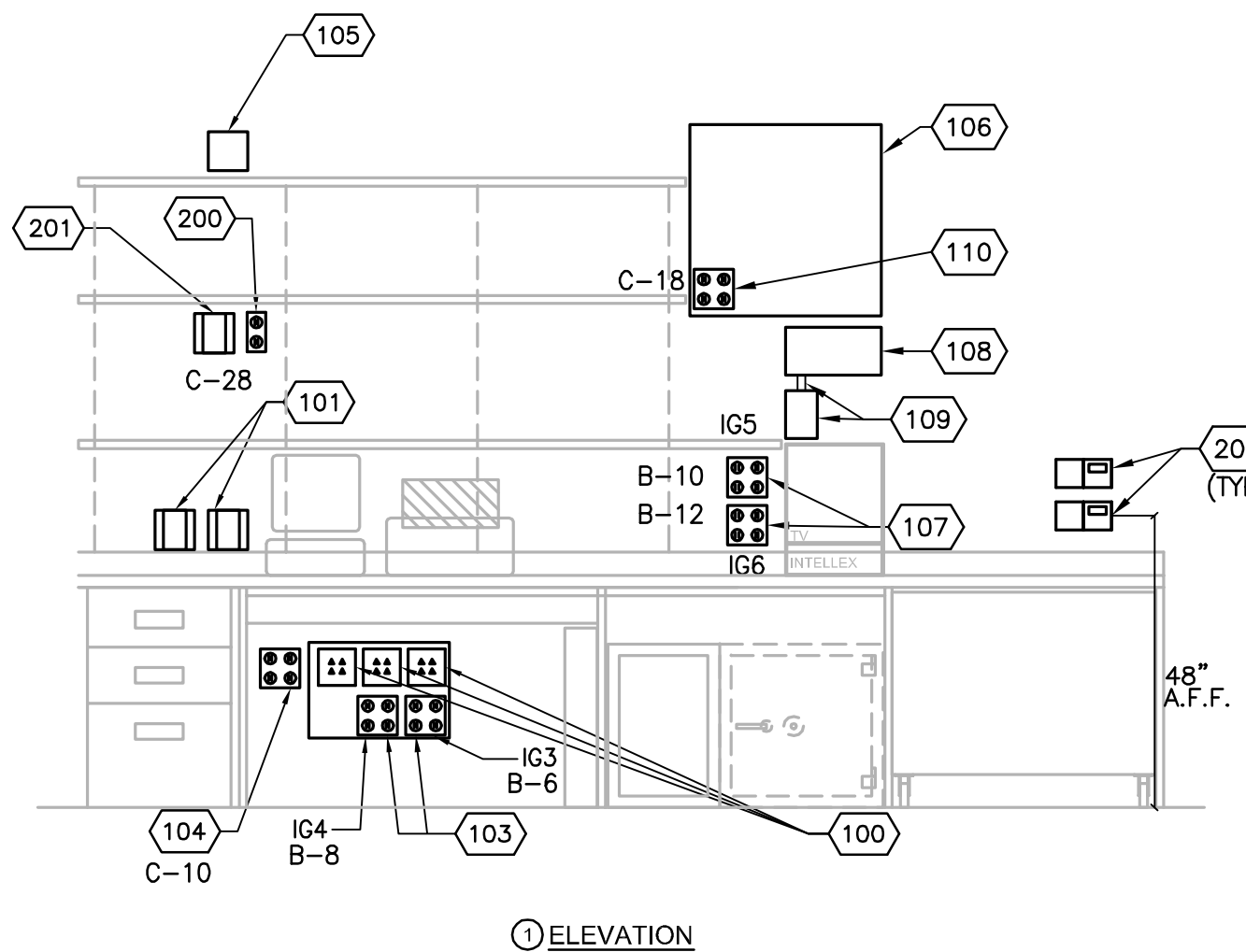


MANAGER'S OFFICE GENERAL NOTES

- REFER TO CONDUIT RISER DIAGRAM FOR EMPTY CONDUIT SIZES.
- FINAL CONNECTIONS, HUBS AND WIRING FOR POS AND TELEPHONE SYSTEMS ARE PROVIDED AND INSTALLED BY SPENCER ENGINEERING AND LUCENT TECHNOLOGY RESPECTIVELY.
- FINAL CONNECTIONS AND WIRING FOR MUSIC SYSTEM ARE PROVIDED AND INSTALLED BY PLAY NETWORK.



① ELEVATION

MANAGER'S DESK CODED NOTES

- ①00 4-PLY DATA JACK. INSTALL 4-11/16" SQ X 2-1/8" DEEP BOX WITH SINGLE GANG 1/2" PLASTER RING COVER. EXTEND CONDUIT FROM BOX TO NETWORK RACK.
- ①01 ACCESS POINT, DOWN THROUGH (2) SINGLE-GANG, 2-1/8" DEEP BOXES WITH PLASTER RING COVERS. EXTEND 3/4" CONDUIT FROM EACH BOX TO NETWORK RACK.
- ①03 ISOLATED GROUND QUADRAPLEX RECEPTACLE FOR NETWORK RACK. INSTALL IN 4" SQ X 2-1/8" DEEP BOX WITH TWO GANG 1/2" PLASTER RING COVER. LABEL "POS ONLY" AND CIRCUIT AS INDICATED ON POWER PLAN AND PANEL SCHEDULE.
- ①04 CONVENIENCE QUADRAPLEX RECEPTACLE FOR GENERAL USE POWER. INSTALL IN 4" SQ X 2-1/8" DEEP BOX WITH TWO GANG 1/2" PLASTER RING COVER. LABEL "CONVENIENCE" AND CIRCUIT AS INDICATED ON POWER PLAN AND PANEL SCHEDULE.
- ①05 CARLON BUZZER UNIT ON WALL.
- ①06 2'x2' CCTV BACKBOARD.
- ①07 ISOLATED GROUND RECEPTACLES FOR CCTV EQUIPMENT. INSTALL IN 4" SQ X 2-1/8" DEEP BOX WITH TWO GANG 1/2" PLASTER RING COVER. LABEL "CCTV" AND CIRCUIT AS INDICATED ON POWER PLAN AND PANEL SCHEDULE.
- ①08 12" X 12" X 6" J-BOX TO RECEIVE CONDUIT FROM SURVEILLANCE CAMERAS.
- ①09 (1) 2" CONDUIT LINE RUN TO A RECESSED J-BOX 6"x6"x4". LOCATED ABOVE WORK SURFACE (38" A.F.F.). PROVIDE (1) PULLWIRE BETWEEN J-BOXES.
- ①10 RECEPTACLE FOR CAMERA EQUIPMENT ABOVE MANAGERS ROOM. LOCATE 4"x4"x2-1/8" DEEP BOX WITH 1/2" PLASTER RING COVER ABOVE OR JUST OUTSIDE THE MANAGERS ROOM UP IN STOCK ROOM AREA AROUND 12' AFF. LABEL "CCTV" AND CIRCUIT TO SINGLE DEDICATED CIRCUIT AS INDICATED ON POWER PLAN AND PANEL SCHEDULE.
- ②00 DUPLEX RECEPTACLE FOR STEREO SYSTEM EQUIPMENT. LABEL RECEPTACLE AS "STEREO", AND CIRCUIT AS INDICATED ON POWER PLAN AND PANEL SCHEDULE.
- ②01 INSTALL 4" SQ. X 2-1/8" DEEP BOX FOR STEREO SYSTEM WIRE WITH 1" CONDUIT AND PULLWIRE STUBBED UP TO ACCESSIBLE CEILING. VERIFY EXACT LOCATION WITH G.C. PRIOR TO ROUGH-IN.
- ②02 2" x 4" J-BOX FOR THERMOSTAT FOR HVAC EQUIPMENT. INSTALL J-BOX IN THE HORIZONTAL POSITION. ENSURE APPROXIMATELY 4" VERTICAL AND APPROXIMATELY 5" HORIZONTAL BETWEEN J-BOXES. INSTALL 1/2" CONDUIT WITH BUSHINGS AND PULLWIRE TO ABOVE CEILING FOR CONTROL WIRING. REFER TO SHEET E1-GA FOR LOCATION. COORDINATE LOCATION WITH G.C. PRIOR TO ROUGH-IN. VERIFY EXACT QUANTITY AND REQUIREMENTS WITH MECHANICAL DRAWINGS PRIOR TO ROUGH-IN.

MANAGERS DESK ELEVATIONS

NOT TO SCALE
200

DOOR BUZZER DETAIL

NOT TO SCALE
203

NEW STORE



GAP INC.
CORPORATE ARCHITECTURE
1 HARRISON STREET
SAN FRANCISCO, CA 94105

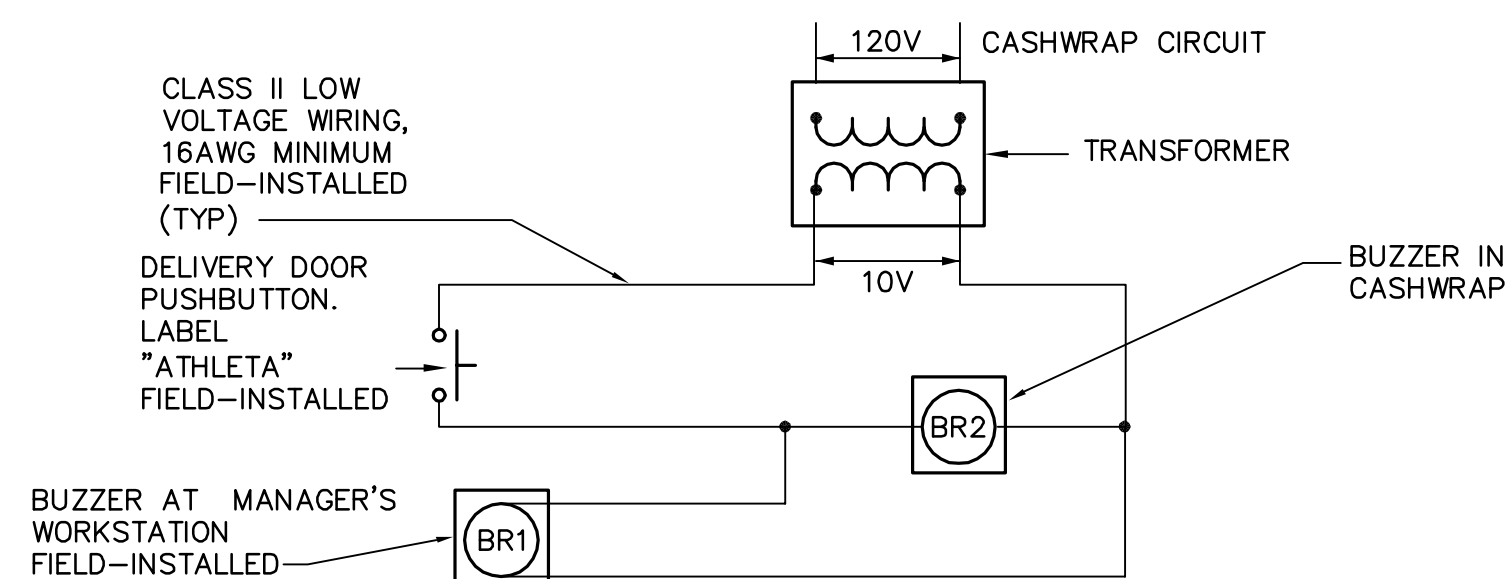
STORE NO.: 7641

STORE NAME:
PORTLAND

STORE LOCATION:
152 MIDDLE STREET
PORTLAND, ME 04101

PROJ. I.D.: 0000053405

PROTOTYPE DATE: 09/4/15
PROTOTYPE VERSION 4.1

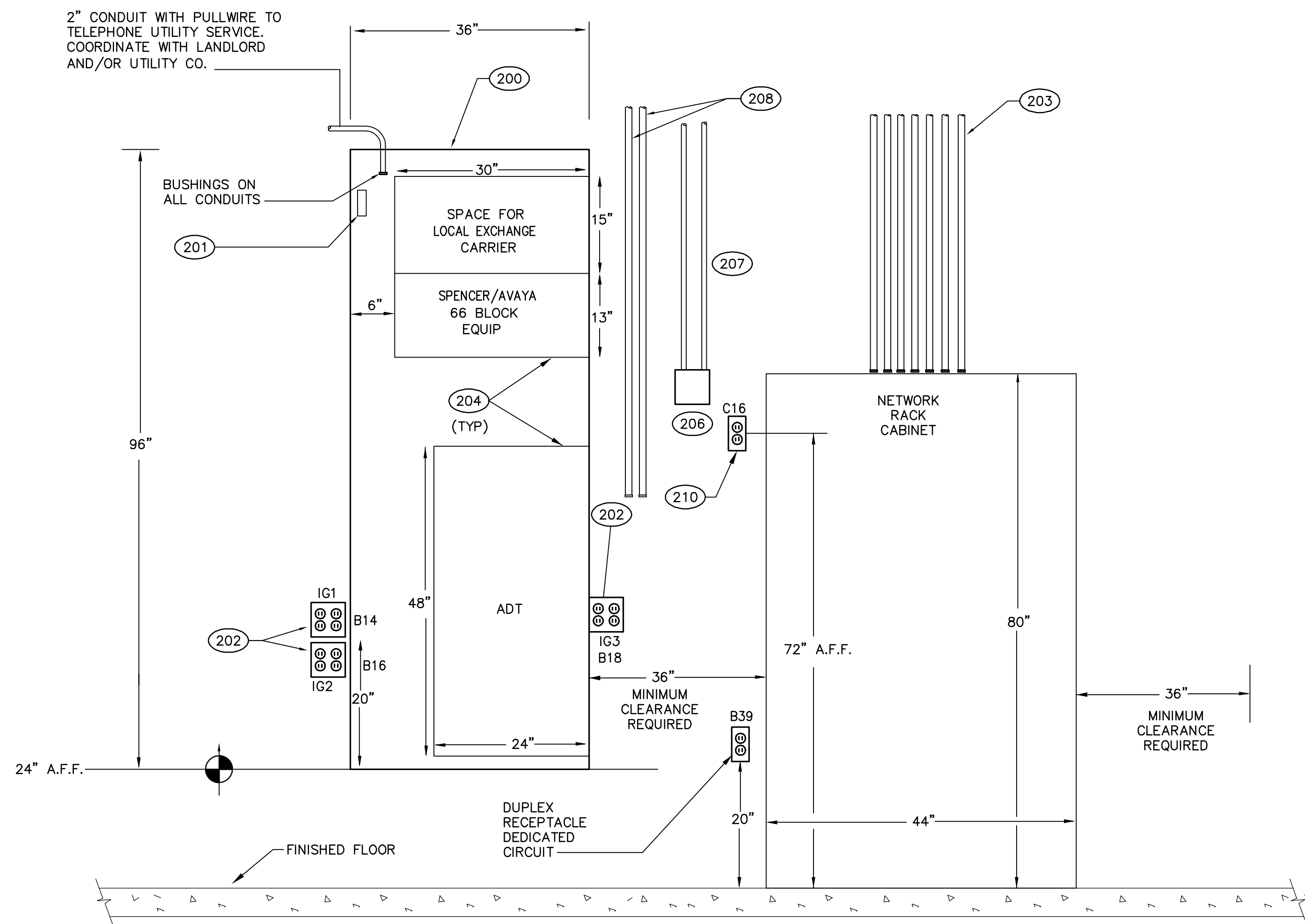


BUZZER SYSTEM NOTES:
DOOR BUZZER SYSTEM COMPONENTS SHALL BE FURNISHED BY THE ELECTRICAL CONTRACTOR. ELECTRICAL CONTRACTOR SHALL INSTALL A TRANSFORMER AND ONE BUZZER IN THE CASHWRAP, A BUZZER IN MANAGER'S OFFICE AND A PUSHBUTTON OUTSIDE THE DELIVERY DOOR. THE ELECTRICAL CONTRACTOR SHALL PROVIDE AND INSTALL ALL NECESSARY JUNCTION BOXES, CONDUIT AND WIRE FOR A COMPLETE AND FULLY OPERATIONAL DELIVERY DOOR BUZZER SYSTEM. INSTALL COMPLETE SYSTEM IN CONDUIT IF REQUIRED BY CODE.

- A. BUZZERS (2) CARLON DH-920 (8-16 VOLT): LOCATE FIRST BUZZER UNDER SWITCH PLATE AT +7'-0" A.F.F. IN STOCK ROOM AREA ABOVE MANAGER'S WORKSTATION, OR AS DIRECTED BY GAP'S REPRESENTATIVE (PAINT PLATE TO MATCH WALL COLOR). SECOND BUZZER AND TRANSFORMER SHALL BE INSTALLED IN THE CASHWRAP AND WIRED BY THE G.C..
- B. PUSHBUTTON (1): CARLON DH-1201L, OR EQUAL. LOCATE PUSHBUTTON OUTSIDE DELIVERY DOOR. +48" A.F.F.
- C. TRANSFORMER (1) CARLON DH-905, INSTALLED IN THE CASHWRAP AND WIRED BY THE G.C.

TELEPHONE SYSTEM DETAIL NOTES:

- ②00 3/4" THICK PLYWOOD TELEPHONE BOARD. SIZE AS INDICATED.
- ②01 PHONE SYSTEM GROUND. DEDICATED ISOLATED #12 AWG SOLID COPPER GROUNDING WIRE OF LENGTH NOT TO EXCEED 35 FEET TO A "GE POWERMARK GOLD" EQUIPMENT GROUND BUS BAR CATALOG NUMBER TKG12 OR EQUAL. IF WIRE EXCEEDS 35 FEET, PROVIDE #10 AWG SOLID COPPER GROUNDING WIRE WITH REDUCING CLIP AT BUS BAR.
- ②02 DEDICATED QUADRAPLEX RECEPTACLE CIRCUITED WITH AN ISOLATED GROUND. REFER TO POWER PLAN FOR CIRCUIT NUMBER.
- ②03 CONDUIT WITH PULL WIRE. REFER TO CONDUIT RISER DIAGRAM FOR QUANTITIES AND SIZES. TERMINATE CONDUIT NO LOWER THAN 119" A.F.F. TO ALLOW PROPER MOUNTING HEIGHT OF NETWORK RACK.
- ②04 IDENTIFY BOUNDARY LINES AND SPACE USE WITH PAINT OR PERMANENT MARKER AS INDICATED.
- ②06 4" X 4" X 1/2" JUNCTION BOX FOR PLAY NETWORK MUSIC SYSTEM.
- ②07 (2) 3/4" CONDUITS FOR SPEAKER WIRE AND ADDITIONAL PLAY NETWORK EQUIPMENT.
- ②08 (2) 3/4" CONDUIT TO ADT DEVICES.
- ②10 NEMA 5-20R DUPLEX RECEPTACLE FOR OWNER FURNISHED UPS. FOR FLOOR MOUNTED IT CABINET DIMENSIONS 24" DEEP X 80" HIGH X 44" WIDE.



TELECOM BACKBOARD DETAIL

SF: 1.00 PR JH: 1/16/15.07 FN: 7641_E03

NOT TO SCALE
201

ARCHITECT INFO:



ISSUE TYPE:
100% CD CHECKSET 5/20/16
PERMIT / BID
LL APPROVAL

DRAWN BY: PR
A&E JOB NO.: 16-5433

SHEET TITLE:
ELECTRICAL DETAILS

SHEET NUMBER:

E9-5