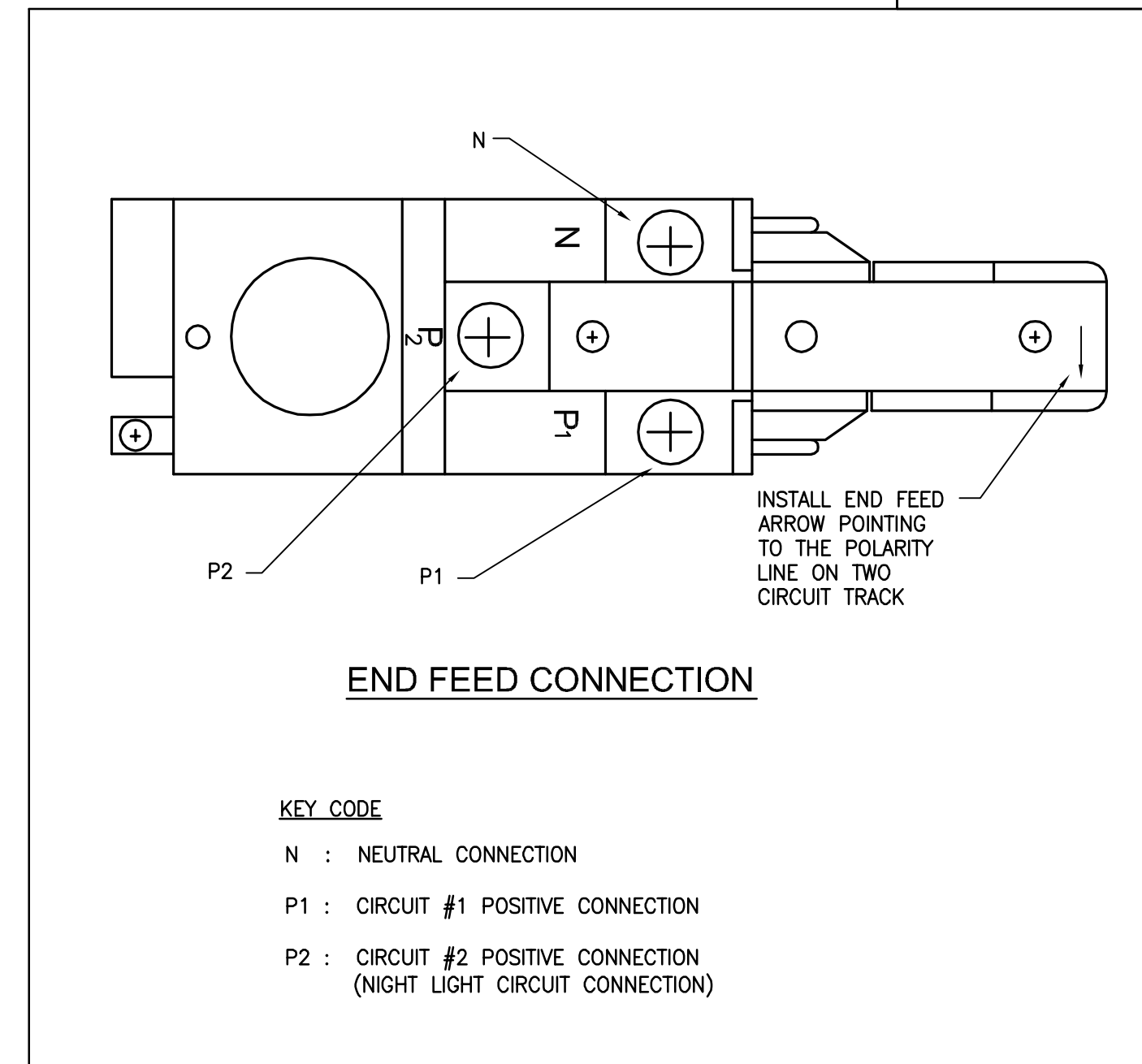


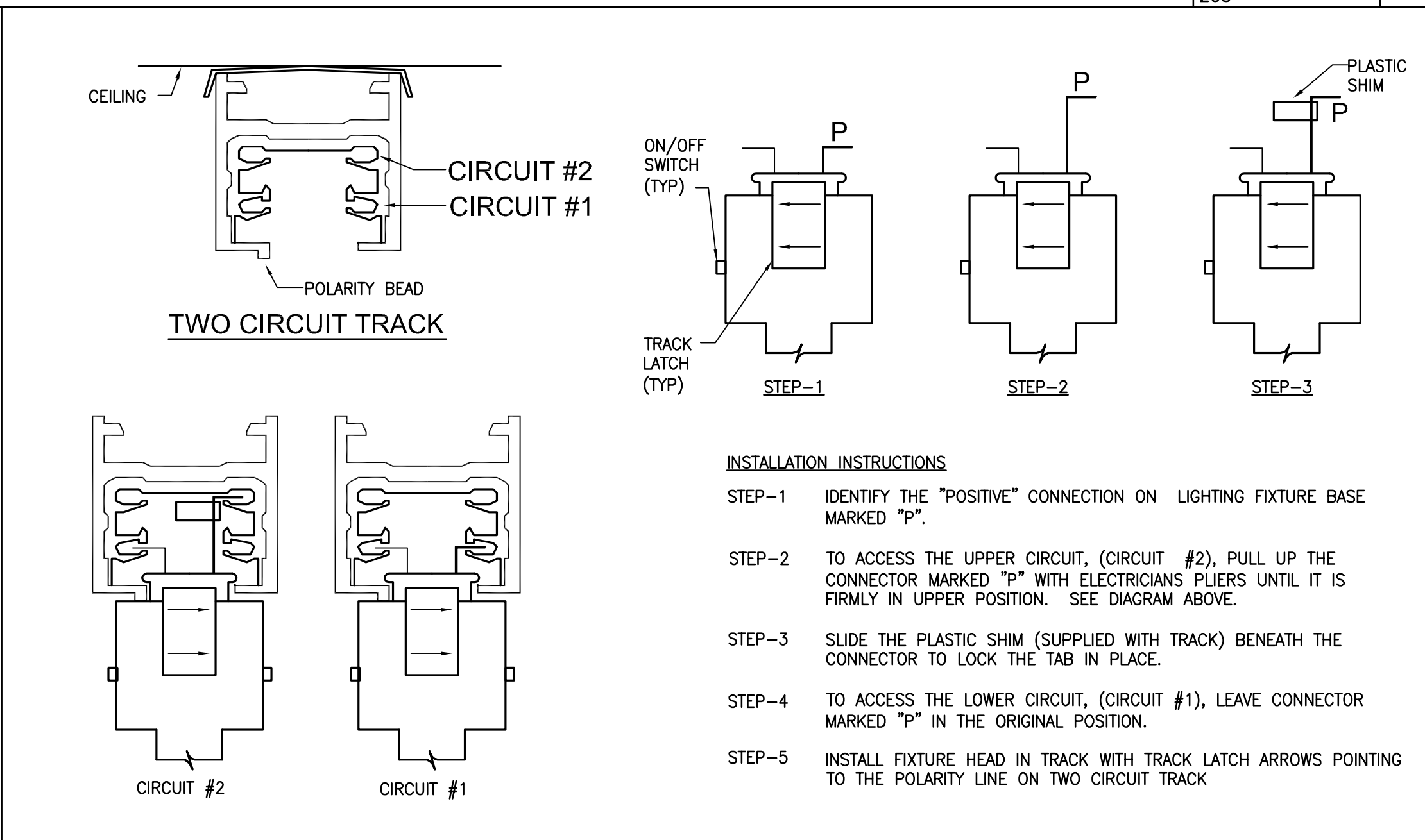
CONDUIT RISER DIAGRAM

NOT TO SCALE
203



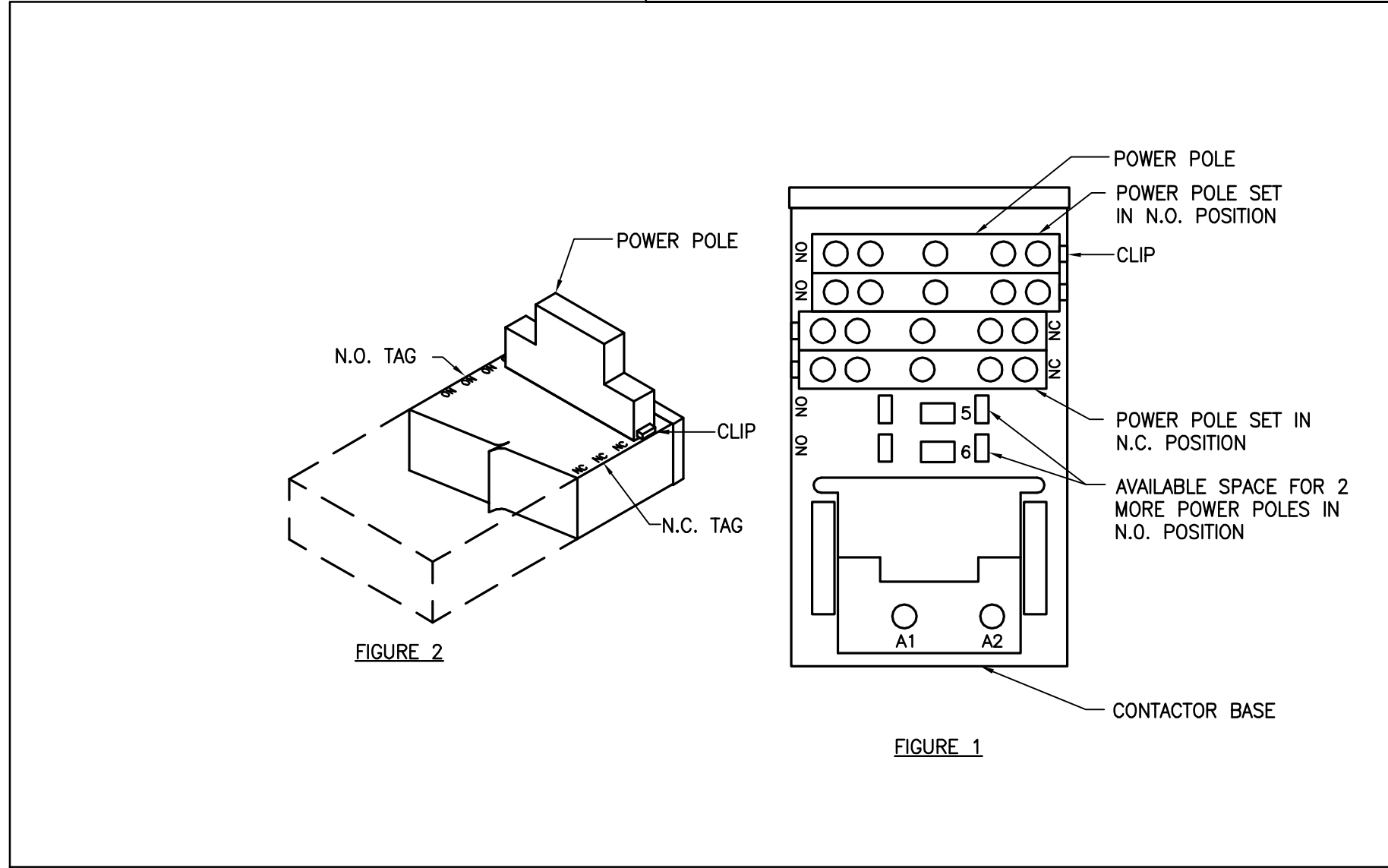
TWO CIRCUIT TRACK END FEED CONNECTION

NOT TO SCALE
201



TWO CIRCUIT TRACK INSTALLATION INSTRUCTIONS

NOT TO SCALE
200



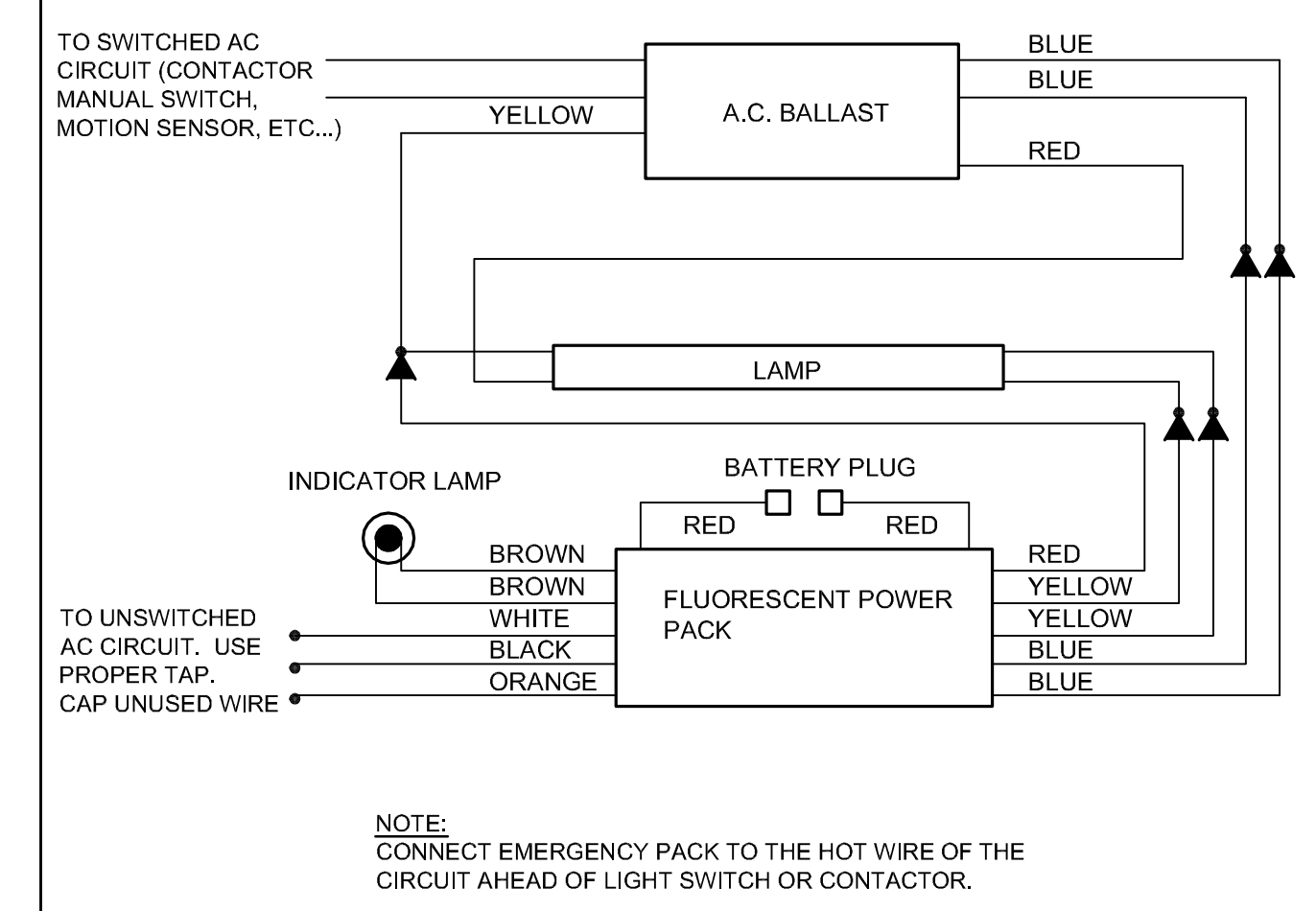
LIGHTING CONTACTOR DETAIL

DESCRIPTION

THE GE CR460 SERIES CONTACTOR ARE CONFIGURED TO SUPPORT UP TO TWELVE NORMALLY OPEN, "N.O.", POLES, WITH A MAXIMUM OF EIGHT NORMALLY CLOSED, "N.C.", POLES. POSITIONS "1" TO "4" ON BASE CAN BE CONFIGURED AS EITHER N.O. OR N.C. WHILE POSITIONS "5" AND "6" CAN BE CONFIGURED AS N.O. ONLY.

INSTALLATION INSTRUCTIONS

- STEP-1 LOCATE THE RELEASE CLIP AT ONE END OF THE POWER POLE. (SEE FIGURE 2)
- STEP-2 INSTALL POLE BY SLIDING FOOT INTO SLOT; PULL THE CLIP, AND POSITION POLE ONTO CONTACTOR BASE. RELEASE THE CLIP FOR INSTALLATION.
- STEP-3 CHECK FOR THE LETTERING ON THE BASE. N.O. SHOULD BE VISIBLE IF POWER POLE IS ASSEMBLED AS NORMALLY OPEN. N.C. SHOULD BE VISIBLE IF POWER POLE IS ASSEMBLED AS NORMALLY CLOSED. (SEE FIGURE 1)
- STEP-4 IF INSTALLED IN WRONG POSITION, REMOVE POWER POLE BY PULLING CLIP. ROTATE POWER POLE 180 DEGREES TO CONVERT TO N.O. OR N.C. POSITION.



EMERGENCY WIRING LIGHTING DIAGRAM

NOT TO SCALE
100

DICKERSON ENGINEERING, INC.
Professional Electrical Engineers
8101 NORTH MILWAUKEE AVENUE
NILES, ILLINOIS 60714
TEL (847) 966-0290

PROFESSIONAL STAMP:

ARCHITECT INFO:
 Chipman Design
Architecture Group P.C.
2105 S. River Road, Suite 400
Chicago, Illinois 60616
Tel: 773.288.4900 Fax: 773.288.4944

ISSUE TYPE:
100% CD CHECKSET 5/20/16
PERMIT / BID
LL APPROVAL

DRAWN BY: PR
A&E JOB NO.: 16-5433

SHEET TITLE:
LIGHT FIXTURE DETAILS

SHEET NUMBER: