

EAS GENERAL NOTES

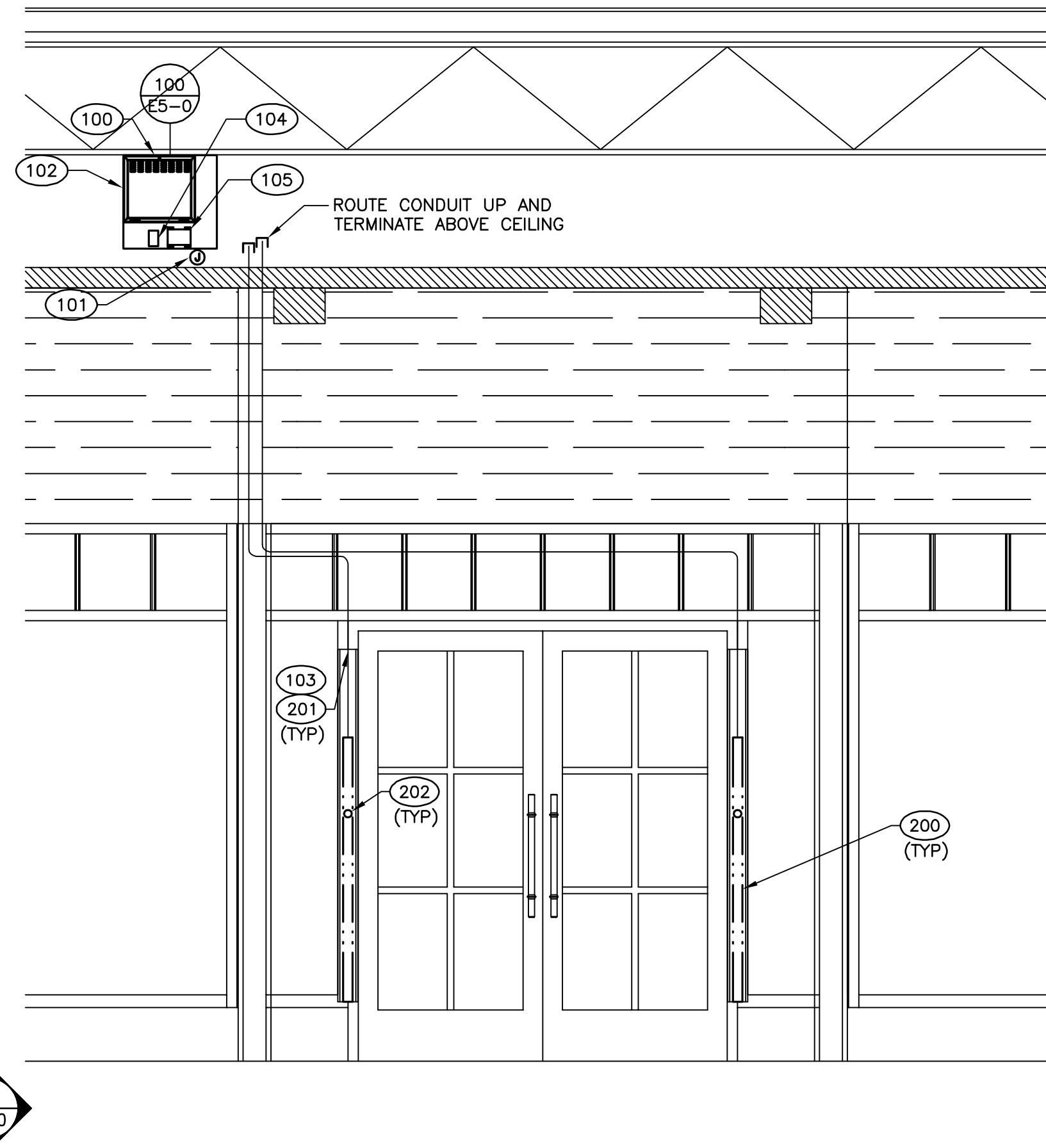
- CONTRACTOR SHALL PROVIDE ALL CONDUIT, PULL WIRE, JUNCTION BOXES FOR EAS SYSTEM.
- ALL LOW VOLTAGE WIRING AND EAS EQUIPMENT TO BE INSTALLED, BY VENDOR.

EAS CODED NOTES

- 100 3/4" THICK, GRADE A PLYWOOD EAS BACKBOARD. SIZE AS INDICATED, SEE ARCH DRAWINGS FOR LOCATION.
- 101 JUNCTION BOX FOR EAS EQUIPMENT. MOUNT AT 6" ABOVE CEILING NEXT TO PLYWOOD BACKBOARD. VERIFY LOCATION WITH G.C. PRIOR TO ROUGH IN.
- 102 EVOLVE S10 ELECTRONICS ENCLOSURE (E.E.). (MUST BE WITHIN 50 LINEAR FEET OF THE FURTHEST S10 ANTENNA. ONE (1) E.E. PER TWO (2) S10 ANTENNAS.)
- 103 EAS - S10 CABLE ASSEMBLY (MAX 50 LINEAR FT FROM THE ELECTRONICS UNIT).
- 104 J-BOX FOR CONNECTION TO SECONDARY BACKBOARD (IF REQUIRED.) PROVIDE 3/4" CONDUIT WITH PULLSTRING BACK TO SECONDARY BACKBOARD.
- 105 POWER SUPPLIE(S). ONE (1) POWER SUPPLY PER ONE (1) S10 ELECTRONICS ENCLOSURE (E.E.). MOUNT EQUIPMENT TO PLYWOOD BACKBOARD. VERIFY EXACT LOCATION WITH G.C. PRIOR TO ROUGH IN.
- 200 EVOLVE S10 ANTENNA. MOUNTED TO DOOR FRAME / MULLION.
- 201 3/4" FLEX CONDUIT WITH (2) PULLSTRINGS DOWN THROUGH PORTAL WALL TO 54" AFF CAVITY.
- 202 1" DIAMETER HOLE AT 54" AFF. ROUTE CONDUIT (201) TO THE HOLES ON THE DOOR FRAME / MULLION.

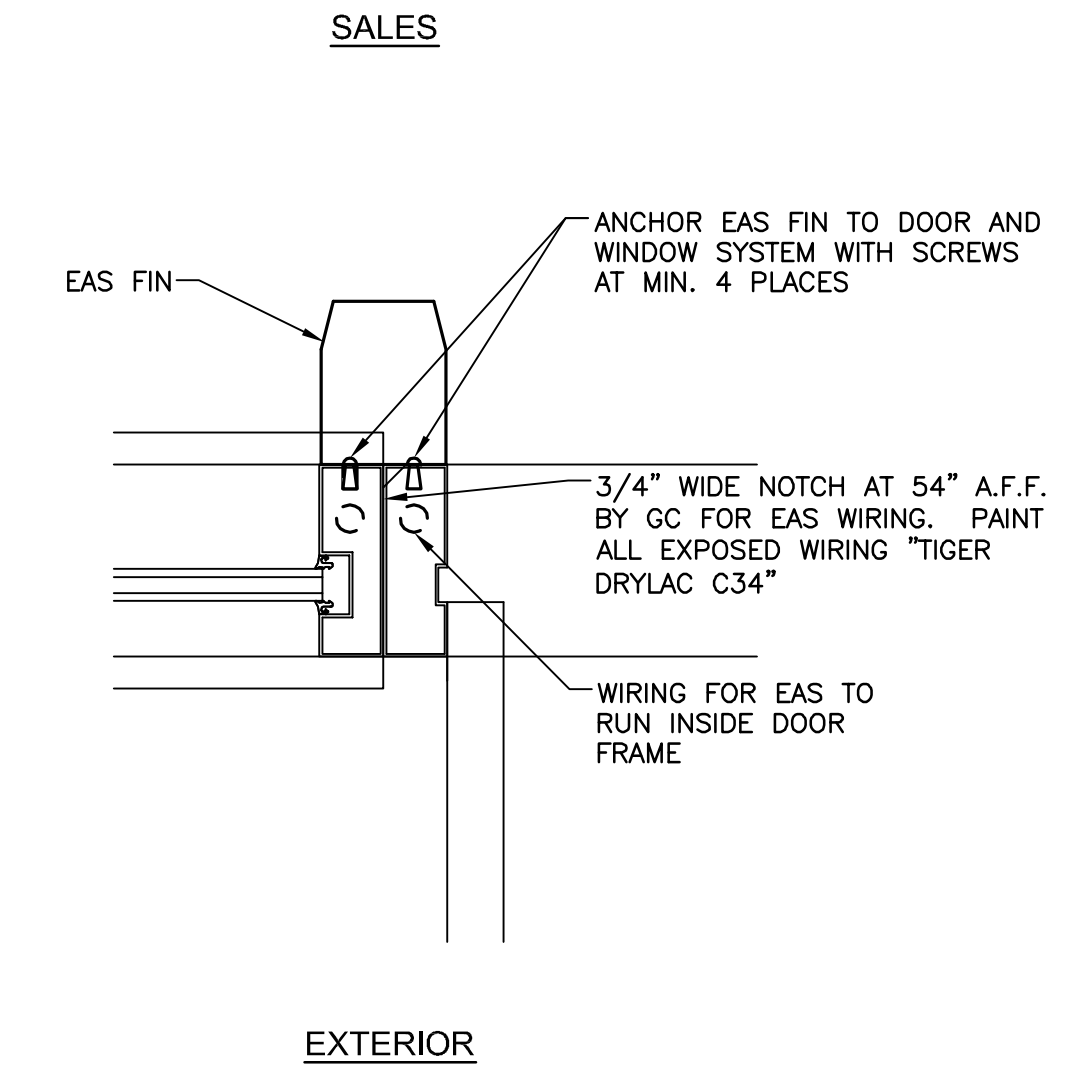
EAS WIRING LEGEND

---	LOW VOLTAGE WIRE
---	EAS EQUIPMENT
---	CONDUIT
---	CONDUIT (UNDERSLAB)
---	CONDUIT BURRIED IN WALL OR DOOR JAMB
○	CONDUIT TERMINATION



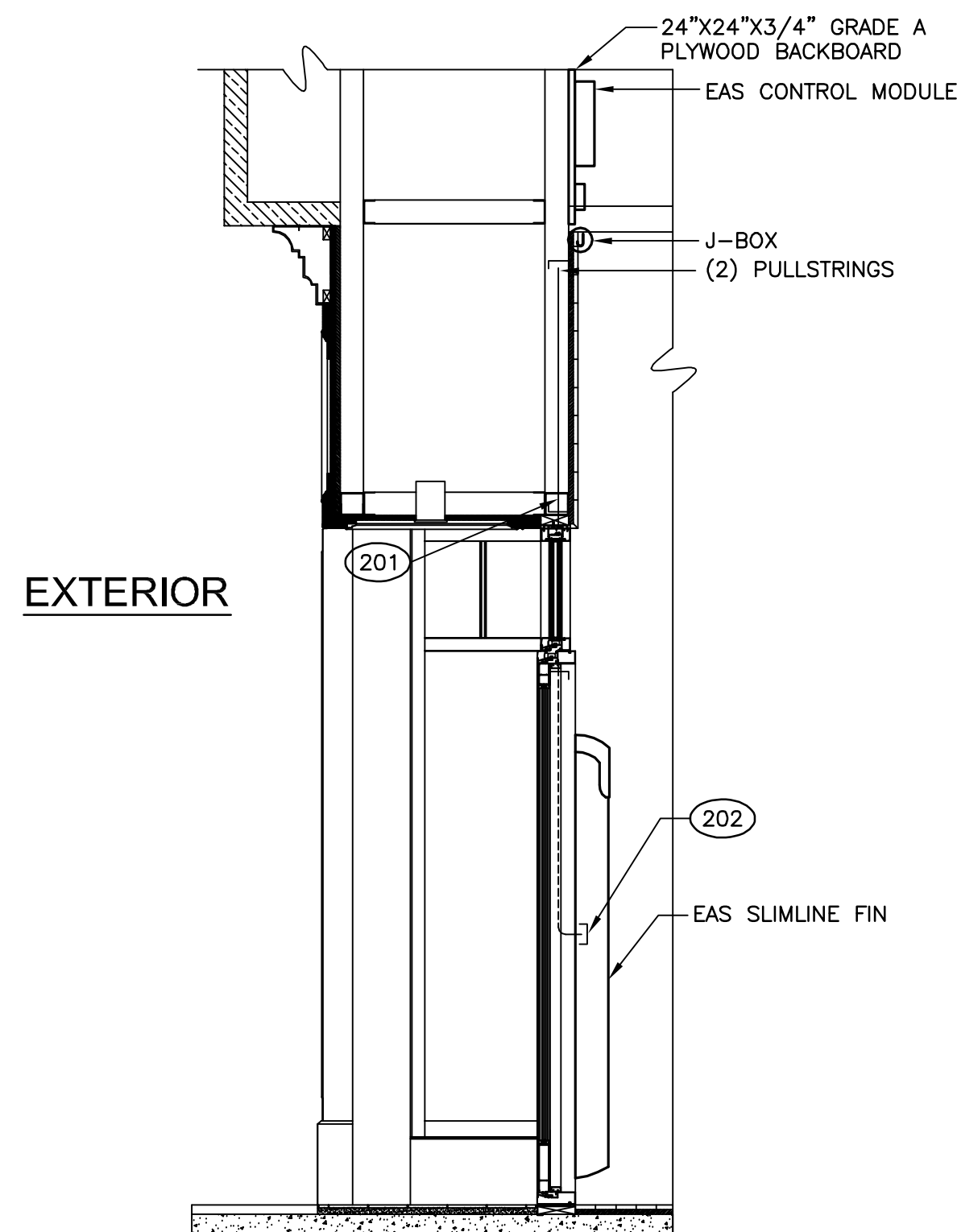
6'-0" DOOR OPENING ELEVATION - SLIMLINE FIN WITH TRANSOM

NOT TO SCALE
202



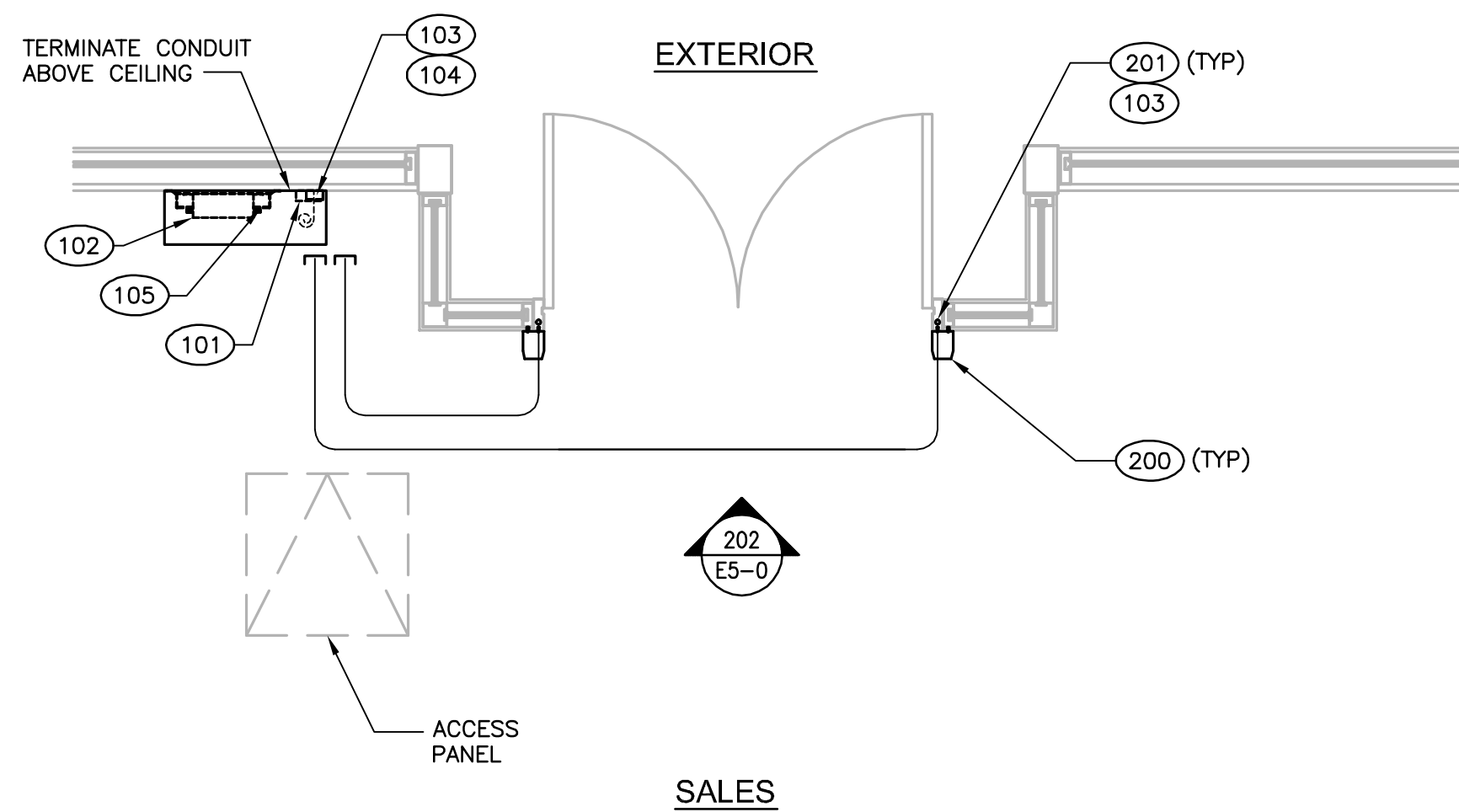
DOOR JAMB DETAIL

NOT TO SCALE
201



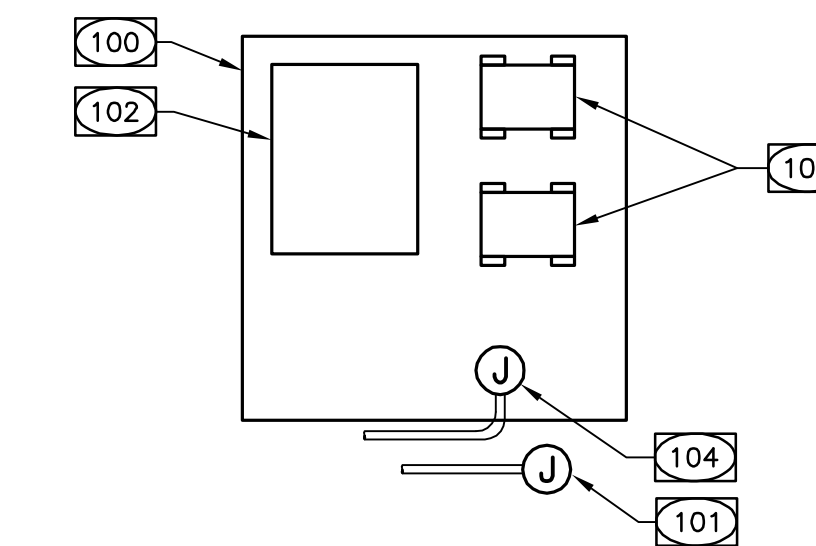
ENTRY SECTION-SLIMLINE FIN

NOT TO SCALE
212



6'-0" DOOR OPENING - SLIMLINE FIN

NOT TO SCALE
200



EAS SYSTEM GENERAL NOTES

- LOCATE "D-BLAZE" FIRE RETARDANT TREATED PLYWOOD BACKBOARD 6" ABOVE EAS RECEPTACLE. BACKBOARD NOT TO EXCEED 15'-0" A.F.F.
- ACCESS PANEL TO BE WITHIN 2'-0" MAX. OF EAS BACKBOARD. COORDINATE EXACT LOCATION WITH G.C. PRIOR TO ROUGH-IN.
- BACKBOARD TO HAVE A FLAME SPREAD OR SMOKE RATING OF 25 OR LESS.

EAS SYSTEM CODED NOTES

- 100 3/4" THICK, GRADE A PLYWOOD EAS BACKBOARD. SIZE AS INDICATED, SEE ARCH DRAWINGS FOR LOCATION.
- 101 J-BOX.
- 102 S10 ELECTRONICS ENCLOSURE
- 104 PROVIDE J-BOX FOR CONNECTION TO SECONDARY BACKBOARD (IF REQUIRED.) MOUNT J-BOX ON PLYWOOD BOARD. PROVIDE 3/4" CONDUIT WITH PULLSTRING TO SECONDARY BACKBOARD.
- 105 POWER SUPPLIES.

EAS CONDUIT REQUIREMENTS

SYSTEM	SIZE
EAS ANTENNA	3/4"
REMOTE ALARM	1/2"
(1) EAS PEDESTAL	1/2"
(2) EAS PEDESTAL	3/4"
SATELLITE RECEIVERS	1/2"

- NOTES:
1. CONDUIT NOT TO EXCEED DIMENSIONS.

EAS BACKBOARD DETAIL

NOT TO SCALE
100

NEW STORE



GAP INC.
CORPORATE ARCHITECTURE
1 HARRISON STREET
SAN FRANCISCO, CA 94105

STORE NO.: 7641

STORE NAME:
PORTLAND

STORE LOCATION:
152 MIDDLE STREET
PORTLAND, ME 04101

PROJ. I.D.: 0000053405

PROTOTYPE DATE: 09/4/15
PROTOTYPE VERSION 4.1



DICKERSON ENGINEERING, INC.
Professional Electrical Engineers
8101 NORTH MILWAUKEE AVENUE
NILES, ILLINOIS 60714
TEL (847) 966-0290

PROFESSIONAL STAMP:

ARCHITECT INFO:



ISSUE TYPE:
100% CD CHECKSET 5/20/16
PERMIT / BID
LL APPROVAL

DRAWN BY: PR

A&E JOB NO.: 16-5433

SHEET TITLE:
EAS DETAILS

SHEET NUMBER:

E5-0