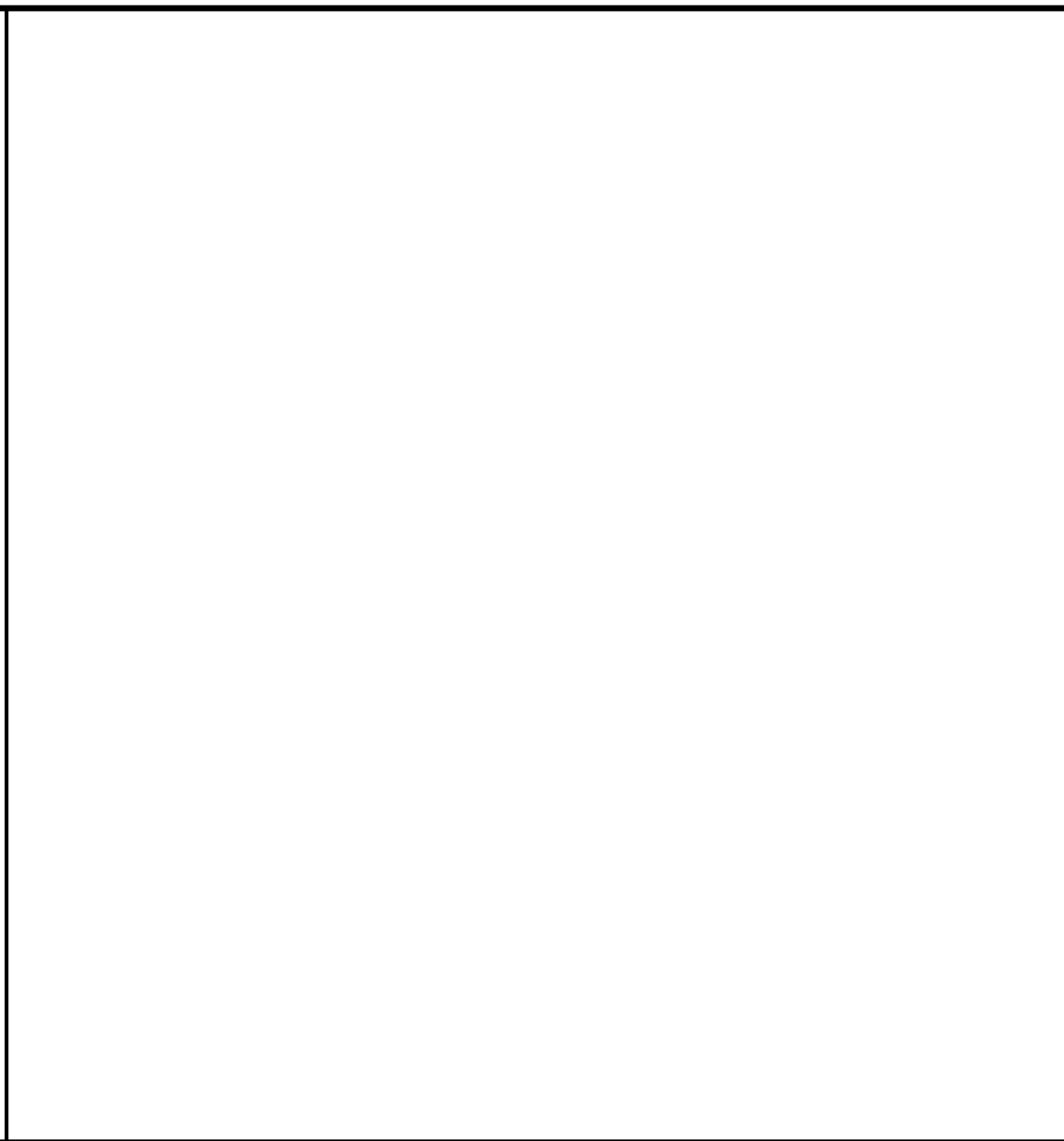
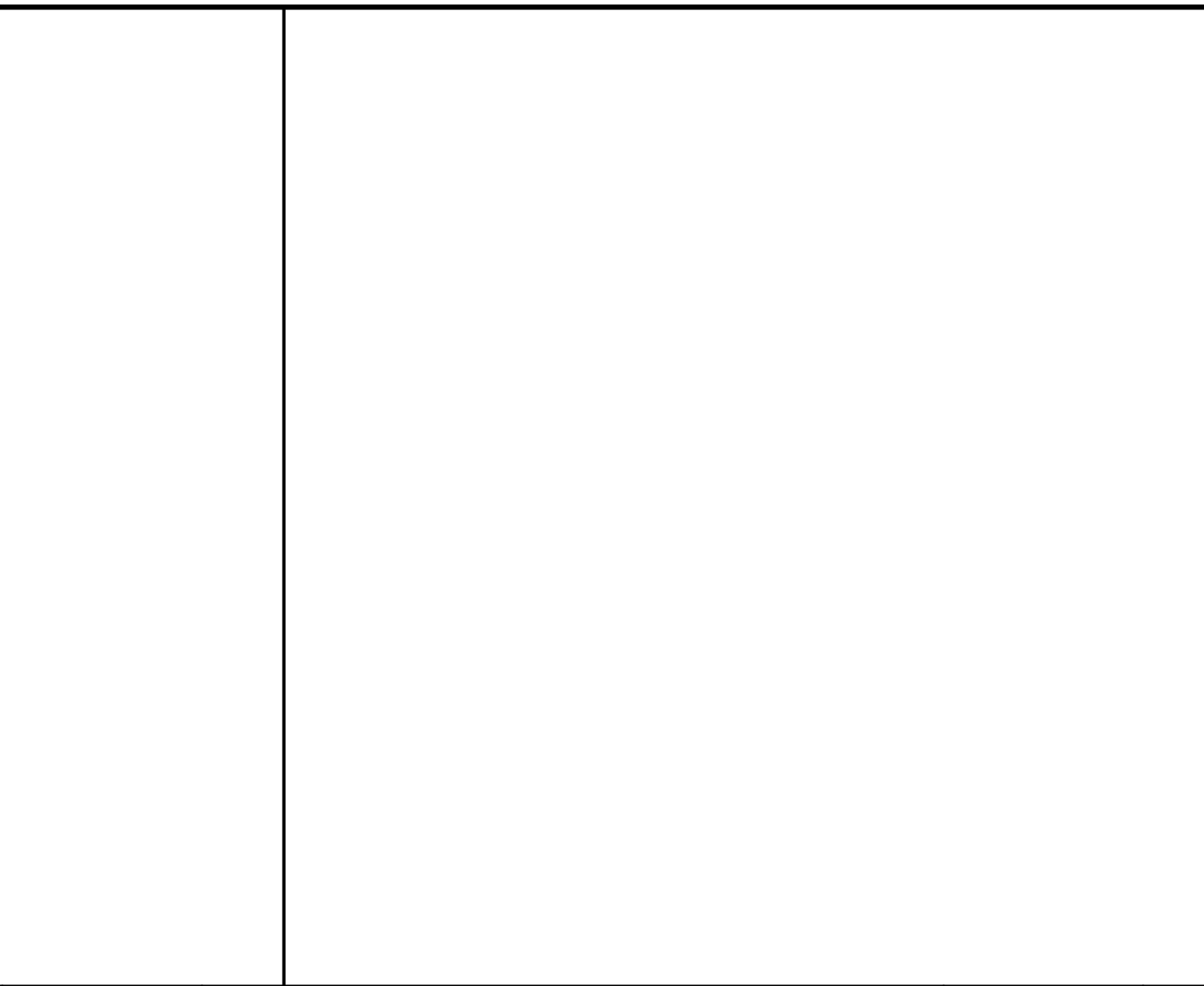


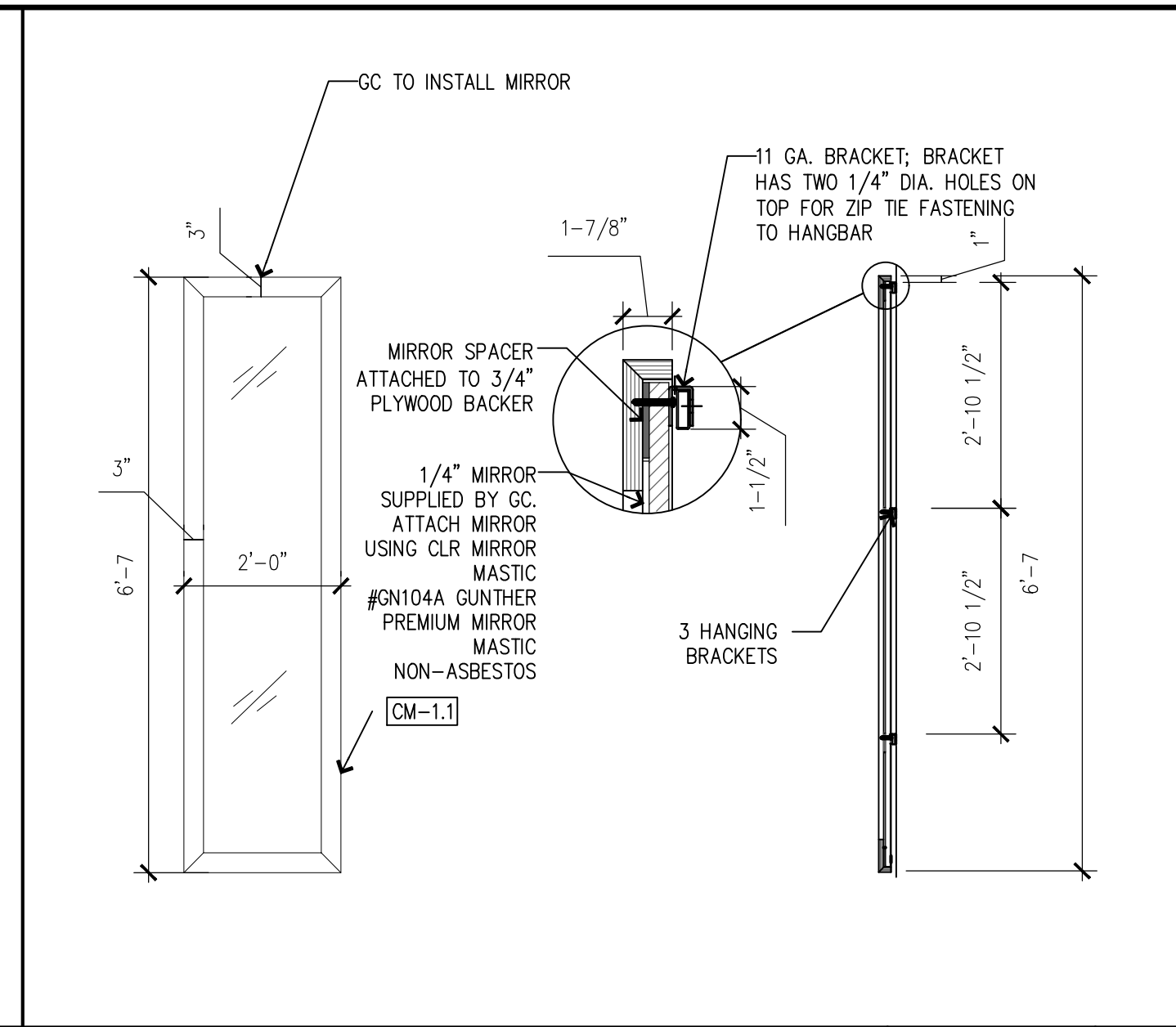
NOT USED SCALE: 1"=1'-0" 12



NOT USED SCALE: 1/2"=1'-0" 9



NOT USED SCALE: 1"=1'-0" 6



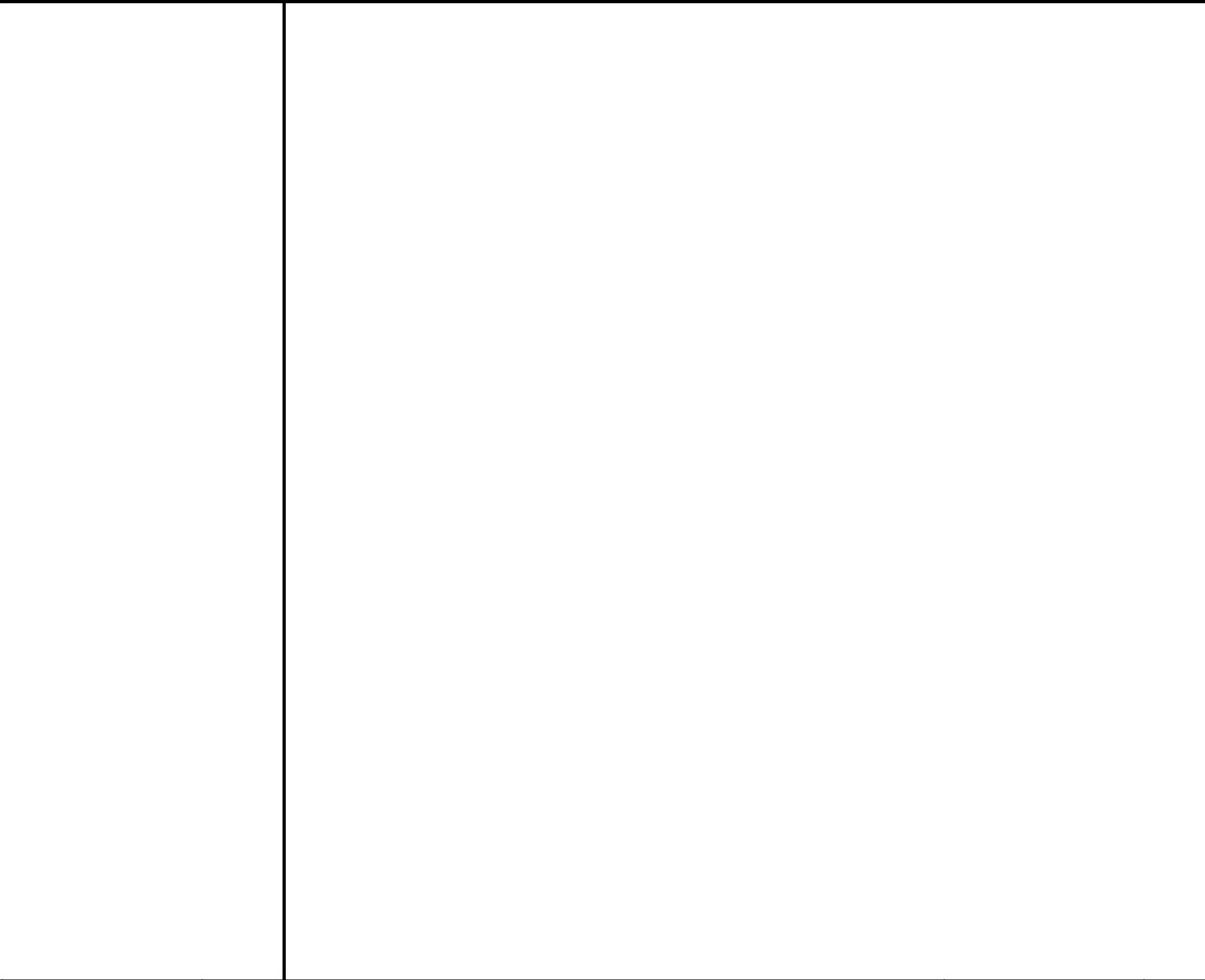
MIRROR AND MOUNTING DETAIL WITH STANDARDS SCALE: 1/2"=1'-0" 3



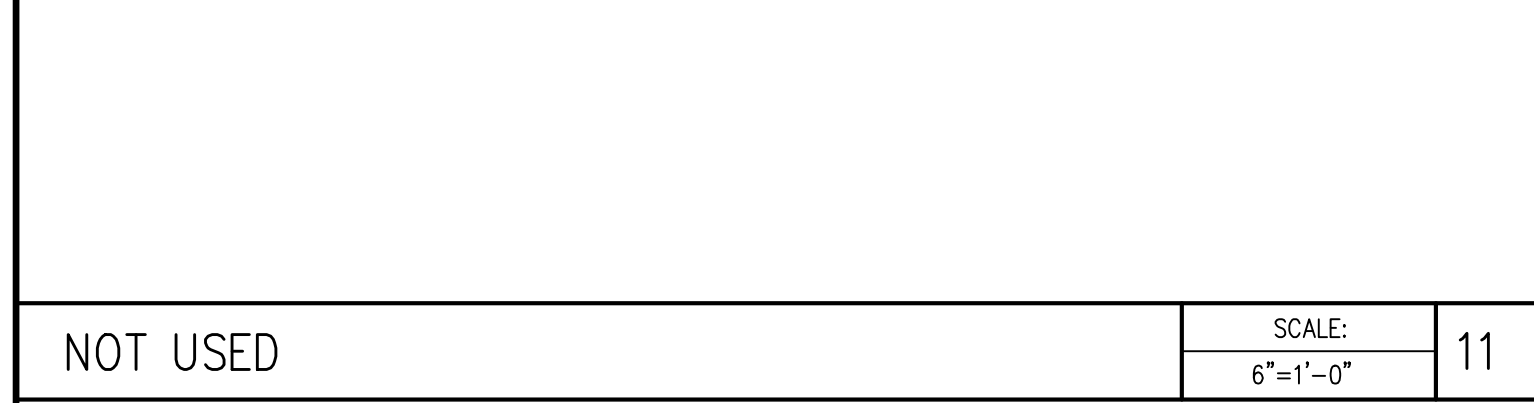
NOT USED SCALE: 3"=1'-0" 8



NOT USED SCALE: 6"=1'-0" 5



FLOOR STRIPE DETAIL SCALE: 1/2"=1'-0" 2



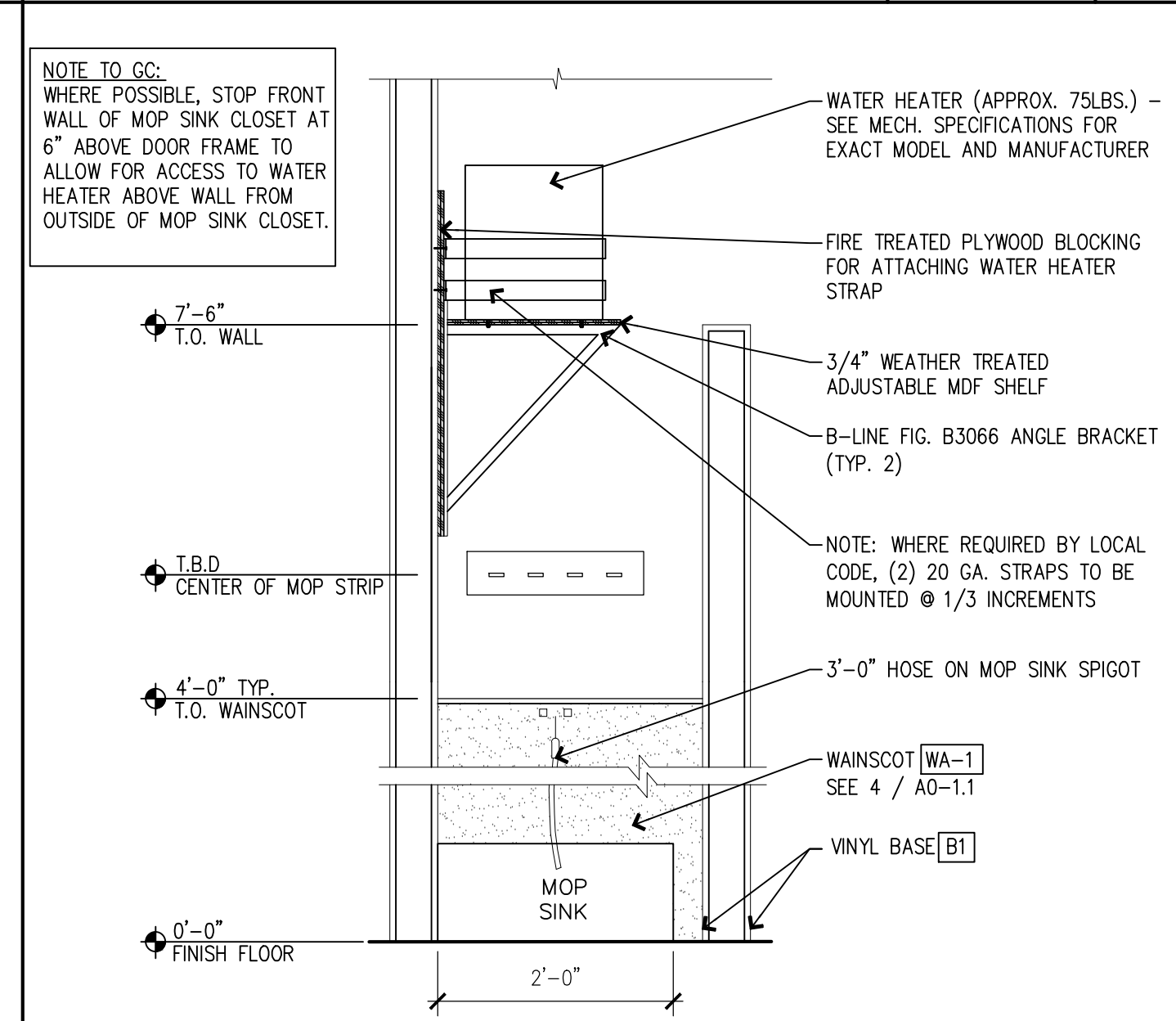
NOT USED SCALE: 6"=1'-0" 11



NOT USED SCALE: 1/2"=1'-0" 7



WATER HEATER SUPPORT SCALE: 1 1/2"=1'-0" 4



WATER HEATER SUPPORT SCALE: 3/4"=1'-0" 1

NEW STORE  
**ATHLETA**  
 GAP INC.  
 CORPORATE ARCHITECTURE  
 1 HARRISON STREET  
 SAN FRANCISCO, CA 94105  
 STORE NO.: 7641  
 STORE NAME:  
 PORTLAND  
 STORE LOCATION:  
 152 MIDDLE STREET  
 PORTLAND, ME 04101

PROJ. I.D.: 0000053405  
 PROTOTYPE DATE: 09/4/15  
 PROTOTYPE VERSION 4.1

CONSULTANT INFO:

PROFESSIONAL STAMP:

ARCHITECT INFO:  
**ChipmanDesign**  
 Architecture Inc.  
 7100 S. River Road, Suite 600  
 Oak Park, Illinois 60455  
 708.296.4500 Fax: 708.296.4504

ISSUE TYPE:  
 100% CD CHECKSET 5/20/16  
 PERMIT / BID  
 LL APPROVAL

DRAWN BY: NR  
 A&E JOB NO.: 16-5433

SHEET TITLE:  
 MISCELLANEOUS DETAILS

SHEET NUMBER:  
**A7-1**