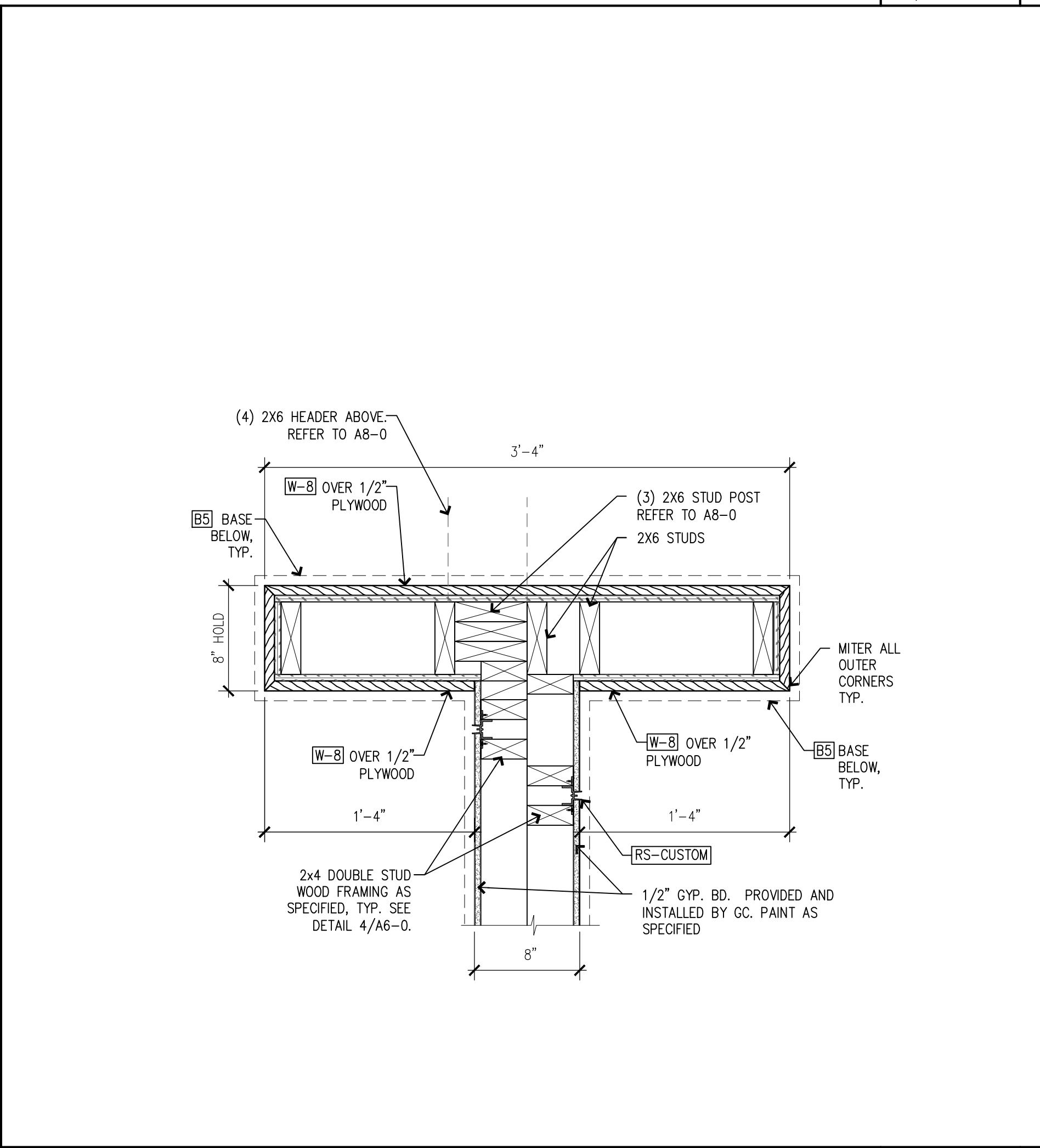
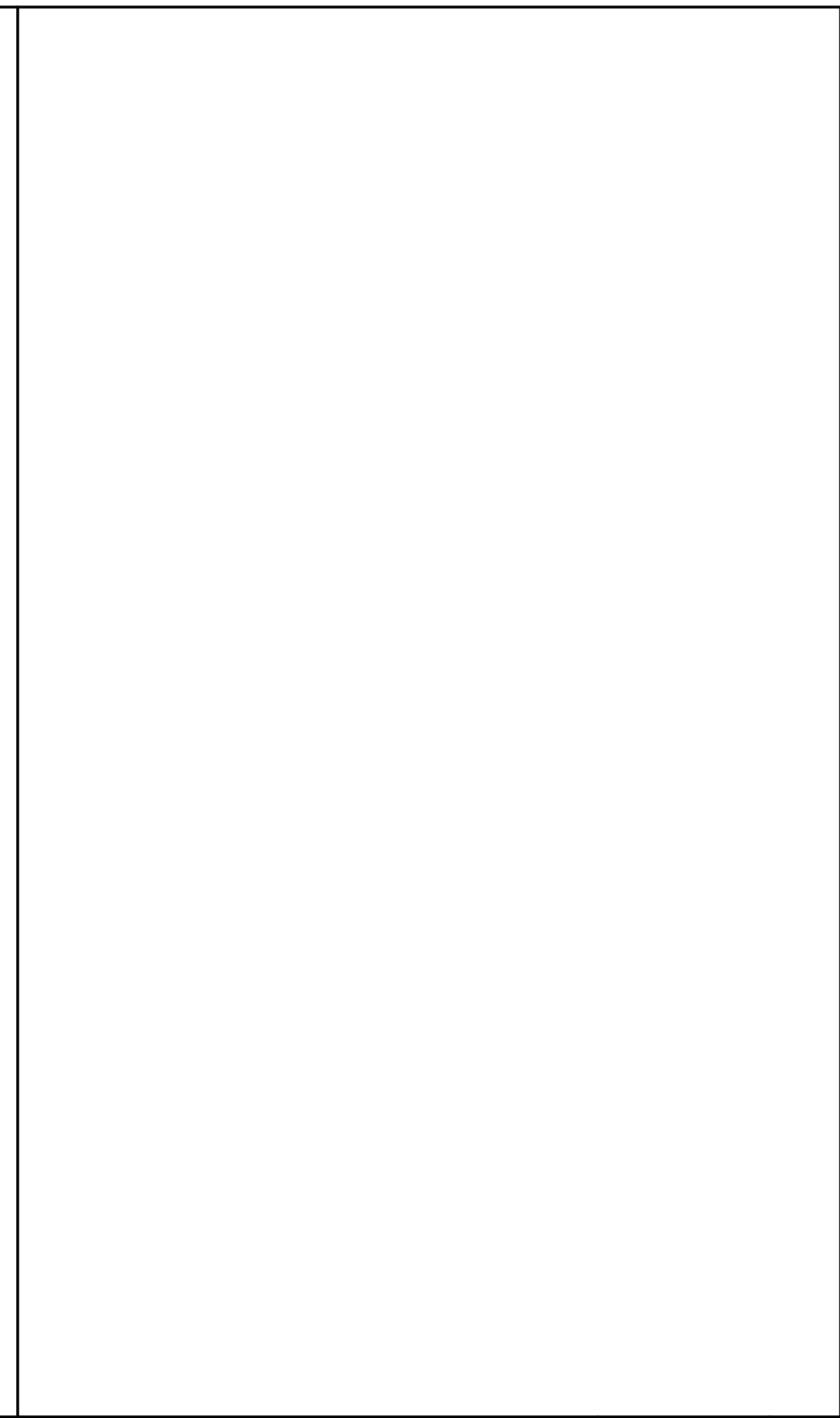
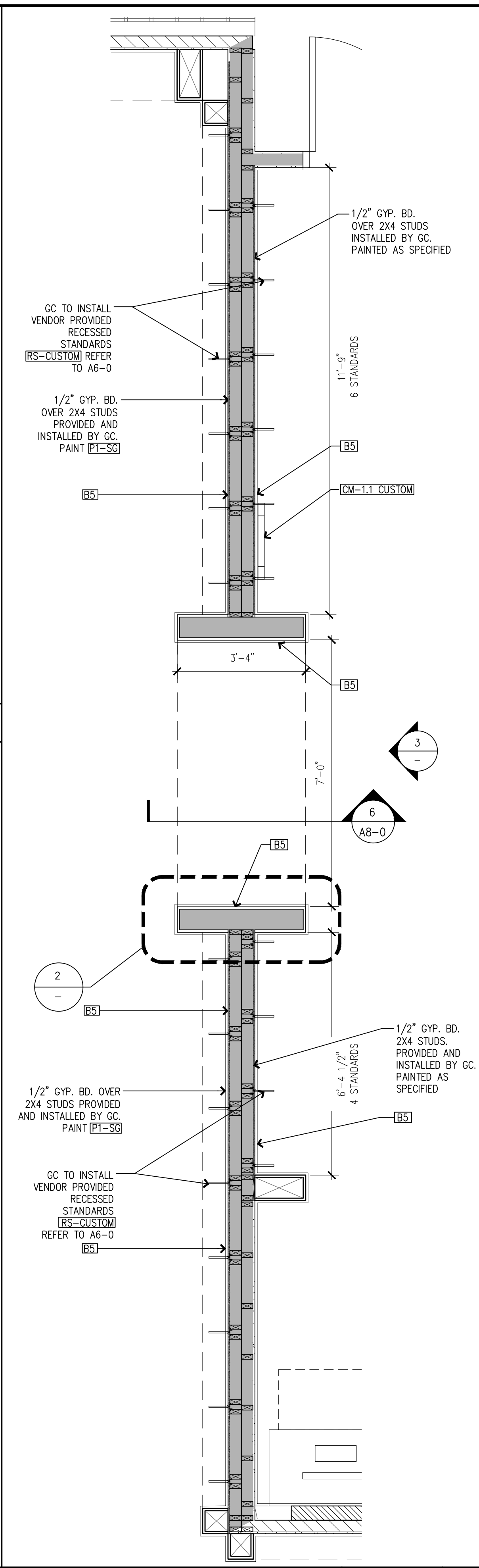


DIVIDER WALL ELEVATION

SCALE:
1/2" = 1'-0" 3



SCALE:
1-1/2" = 1'-0" 2



SCALE:
1/2" = 1'-0" 1

DIVIDER WALL ENLARGED PLAN

NEW STORE

ATHLETA

GAP INC.
CORPORATE ARCHITECTURE
1 HARRISON STREET
SAN FRANCISCO, CA 94105

STORE NO.: 7641

STORE NAME:
PORTLAND

STORE LOCATION:
152 MIDDLE STREET
PORTLAND, ME 04101

PROJ. I.D.: 0000053405

PROTOTYPE DATE: 09/4/15
PROTOTYPE VERSION 4.1

CONSULTANT INFO:

PROFESSIONAL STAMP:

ARCHITECT INFO:

ChipmanDesign
Architecture Inc.
7100 S. River Road, Suite 400
Des Plaines, Illinois 60018
1-847-296-0500 Fax 847-296-0504

HEREBY CERTIFY THAT THESE PLANS HAVE BEEN PREPARED IN MY OFFICE AND UNDER MY SUPERVISION AND THAT TO THE BEST OF MY KNOWLEDGE, THE SAME COMPLY WITH ALL LAWS, RULES, REGULATIONS AND ORDINANCES OF PORTLAND, ME RELATING TO STRUCTURES AND BUILDINGS.

ISSUE TYPE:
100% CD CHECKSET 5/20/16
PERMIT / BID
LL APPROVAL

DRAWN BY: NR
A&E JOB NO.: 16-5433

SHEET TITLE:
ENLARGED DIVIDER WALL
PLAN, DETAILS &
ELEVATIONS

SHEET NUMBER:
A6-2.2

NOT USED

SCALE:
NTS 5

NOT USED

SCALE:
NTS 4

SECTION AT PASS THRU

SCALE:
1-1/2" = 1'-0" 2

DIVIDER WALL ENLARGED PLAN

SCALE:
1/2" = 1'-0" 1