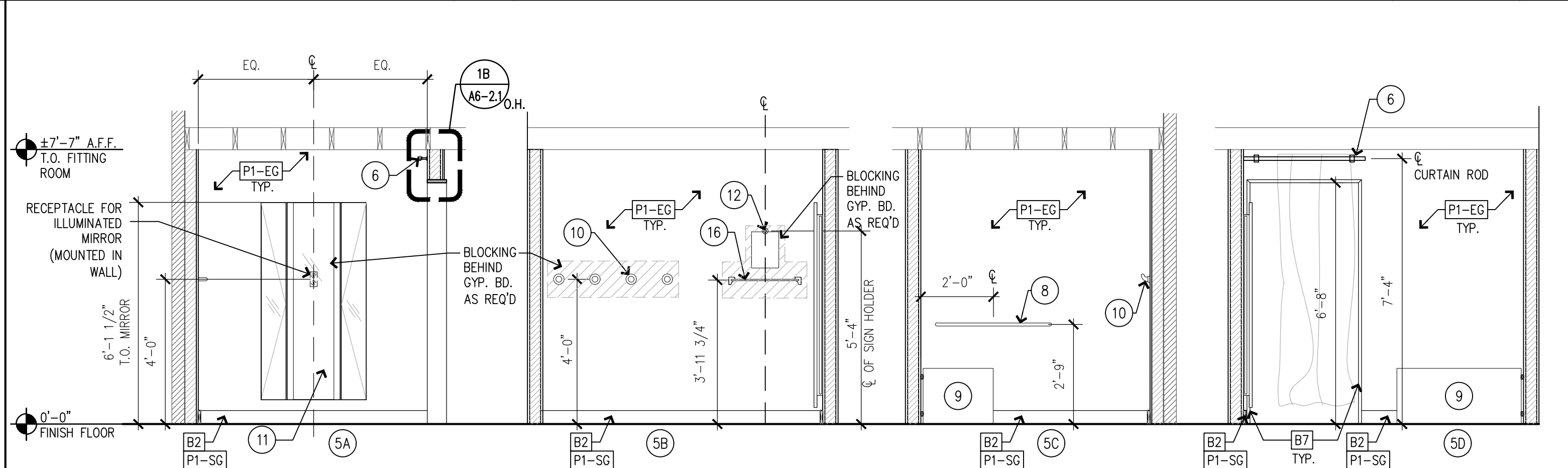
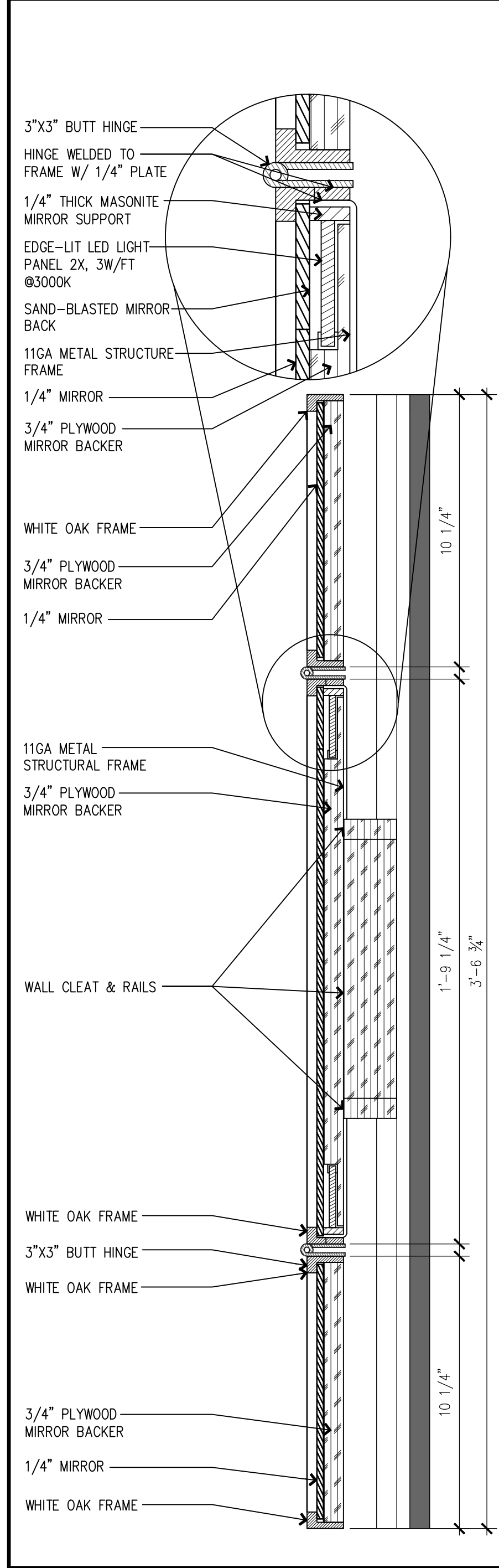
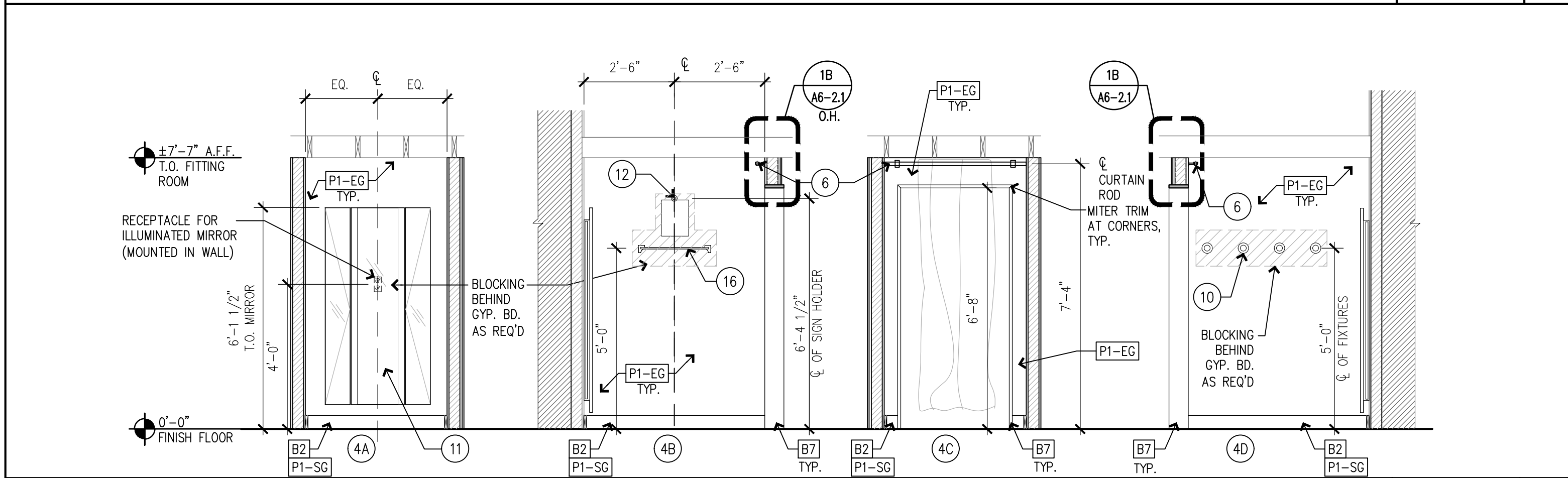


KEY	DESCRIPTION	CODE	REF.
1	EXISTING STRUCTURAL COLUMN TO REMAIN		
2	WEB KIOSK COUNTER - ADA - SHELF W/ GROMMET.	WK-2.1 CUSTOM	3/A6-0
3	SURFACE APPLIED IMAGE BOARD ON MAGNETIC FRAME MOUNTED TO FRONT OF PROCESSING AREA	IG-5.2	6/A6-2.1
4	FITTING ROOM - GC BUILT WALLS W/ GC PROVIDED & INSTALLED GYP. BD.		
5	ACCESSIBLE FITTING ROOM		
6	CENTER CURTAIN ROD BEHIND HEADER. REFER TO SHOP DRAWINGS AND PROJECT MANUAL, GC TO CUT CURTAIN ROD WHERE NEEDED.	CB-6	
7	NOT USED		
8	GRAB BAR @ 2'-9". PROVIDE BLOCKING, TYP.	HB-2	
9	H.C. ACCESSIBLE BENCH	AB-3	3/A6-2.1
10	PEG HOOKS. HOOK TYPE TO BE THE SAME WITHIN EACH FITTING ROOM; ALTERNATE HOOK TYPES BETWEEN EACH FITTING ROOM.	PH-4	
11	3-WAY ILLUMINATED MIRROR FRAME AT FITTING ROOM.	SM-1.1	7/-
12	SIGN HOLDER	SH-1	
13	PARTITION WALL FROM VENDOR. GC TO ASSEMBLE IN FIELD PER STRUCTURAL DRAWINGS (B2) BY GC.	PP-3.1	
14	MECHANICALLY FASTEN EDGE OF CURTAIN TO INSIDE TRIM OF FITTING ROOM. METAL SO THAT SPINE OF CURTAIN WILL SPACE INTERIOR OF FITTING ROOM.	CB-6	
15	FITTING ROOM CURTAIN HOOK - GC TO INSTALL PER SHOP DRAWINGS - MATCH HEIGHT OF CURTAIN GROMMET. INSTALL CURTAIN FIRST AND KIOSK HOOK WITH CURTAIN GROMMET.	PH-3	
16	2'-0" HANGBAR - GC TO INSTALL PER PROJECT MANUAL	HG-2	

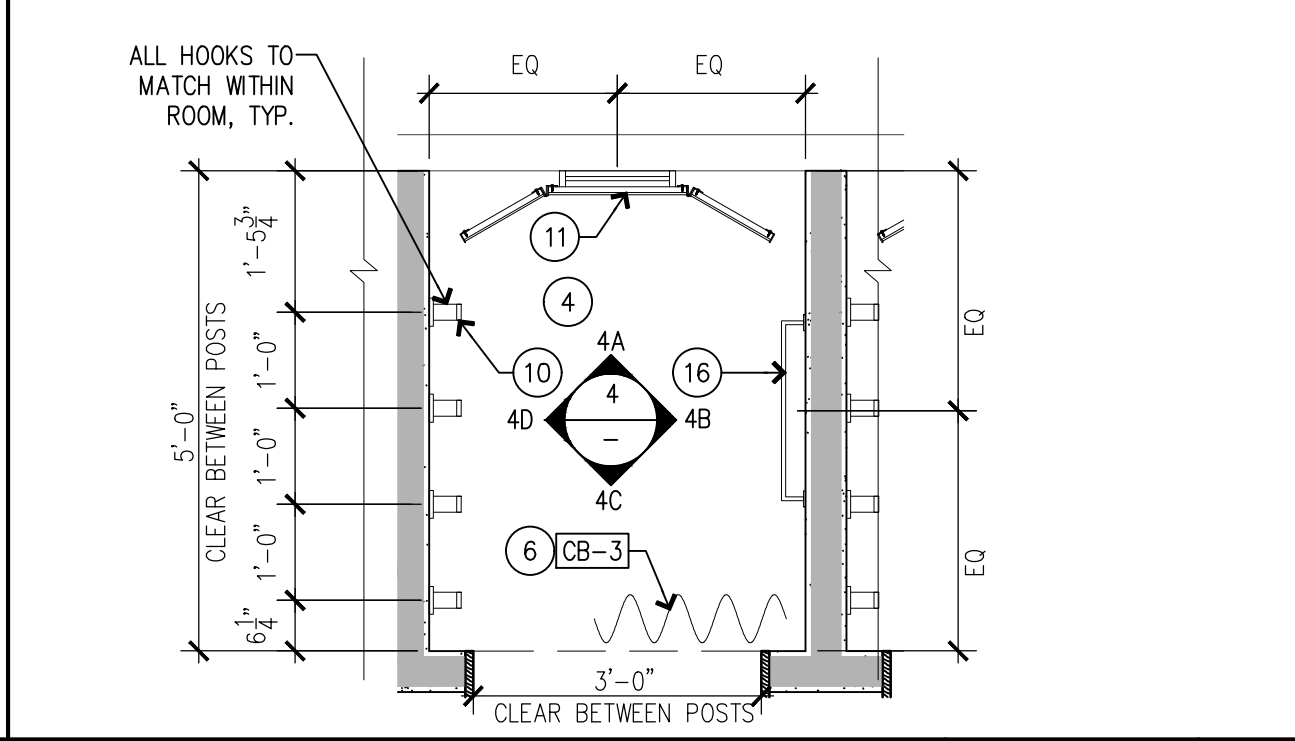
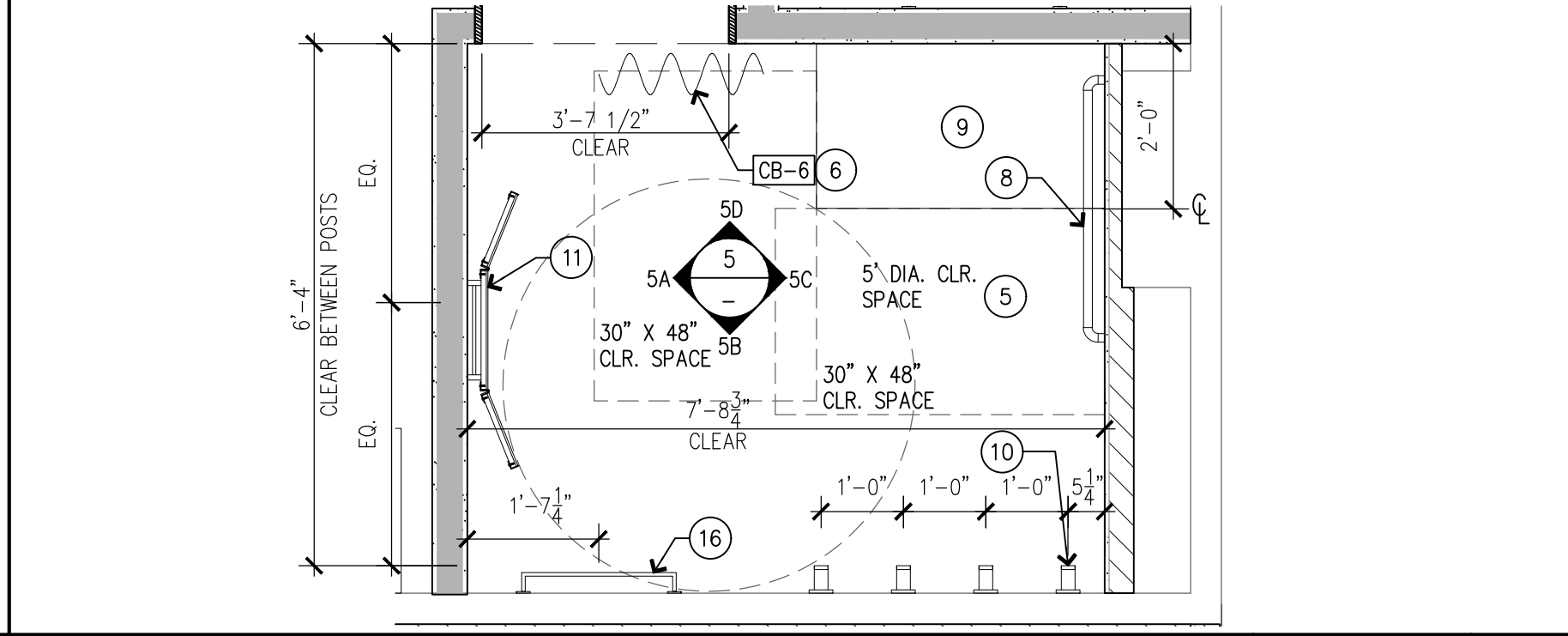
KEYNOTES	8	NOT USED	SCALE: N.T.S.	6
----------	---	----------	------------------	---



ACCESSIBLE FITTING ROOM ELEVATIONS SCALE: 3/8" = 1'-0" 5



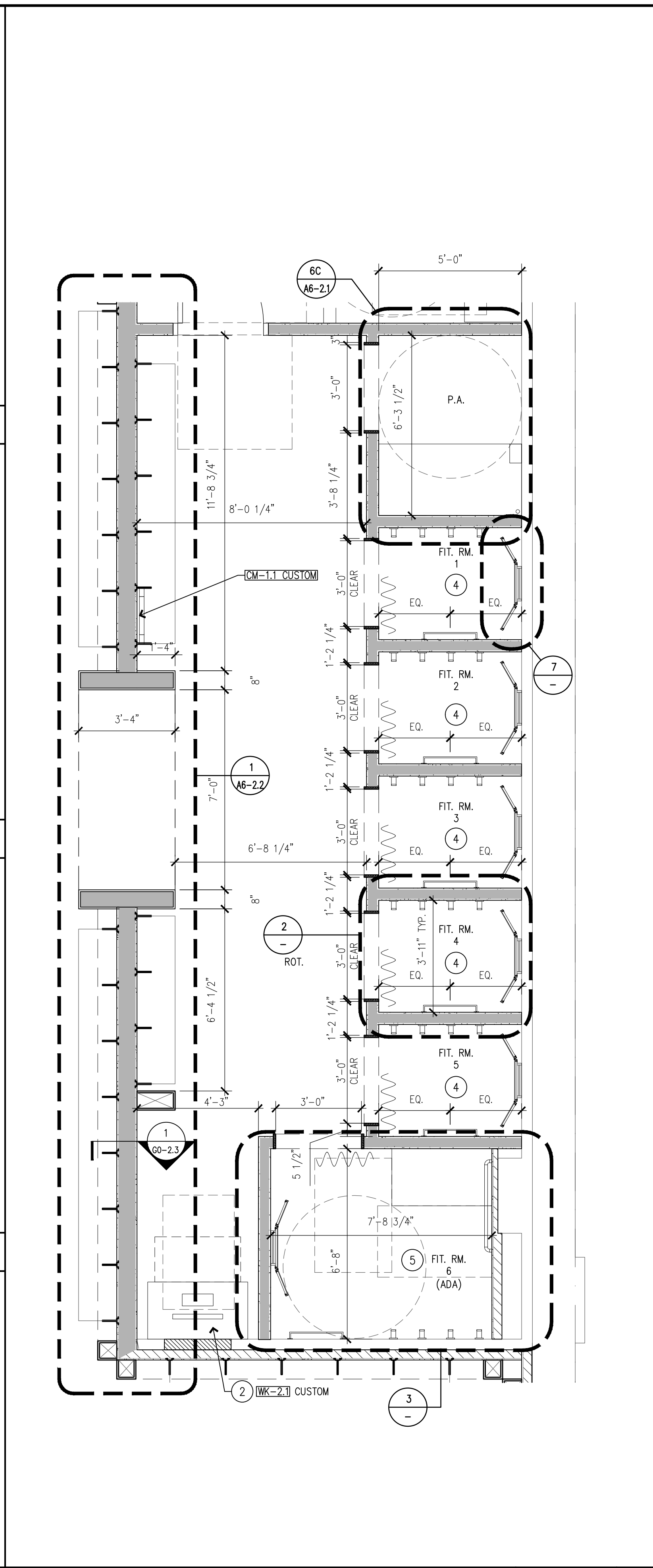
TYPICAL FITTING ROOM ELEVATIONS SCALE: 3/8" = 1'-0" 4



3 WAY MIRROR DETAIL SCALE: 3" = 1'-0" 7

ACCESSIBLE FITTING ROOM PLAN SCALE: 1/2" = 1'-0" 3

FITTING ROOM ENLARGED PLAN SCALE: 1/2" = 1'-0" 2



FITTING AREA ENLARGED PLAN SCALE: 3/8" = 1'-0" 1

**NEW STORE**

**ATHLETA**

GAP INC.  
CORPORATE ARCHITECTURE  
1 HARRISON STREET  
SAN FRANCISCO, CA 94105

STORE NO.: 7641

STORE NAME:  
PORTLAND

STORE LOCATION:  
152 MIDDLE STREET  
PORTLAND, ME 04101

PROJ. I.D.: 0000053405

PROTOTYPE DATE: 09/4/15  
PROTOTYPE VERSION 4.1

CONSULTANT INFO:

PROFESSIONAL STAMP:

ARCHITECT INFO:  
**ChipmanDesign**  
Architecture Inc.  
7100 S. River Road, Suite 600  
Des Plaines, Illinois 60018  
Tel: 847.486.7400 Fax: 847.486.7401

HEREBY CERTIFY THAT THESE PLANS HAVE BEEN PREPARED IN MY OFFICE AND UNDER MY SUPERVISION AND THAT TO THE BEST OF MY KNOWLEDGE, THE SAME COMPLY WITH ALL LAWS, RULES, REGULATIONS AND ORDINANCES OF PORTLAND, ME RELATING TO STRUCTURES AND BUILDINGS.

ISSUE TYPE:  
100% CD CHECKSET 5/20/16  
PERMIT / BID  
LL APPROVAL

DRAWN BY: NR  
A&E JOB NO.: 16-5433

SHEET TITLE:  
ENLARGED FITTING ROOM  
PLAN AND DETAILS

SHEET NUMBER:  
A6-2