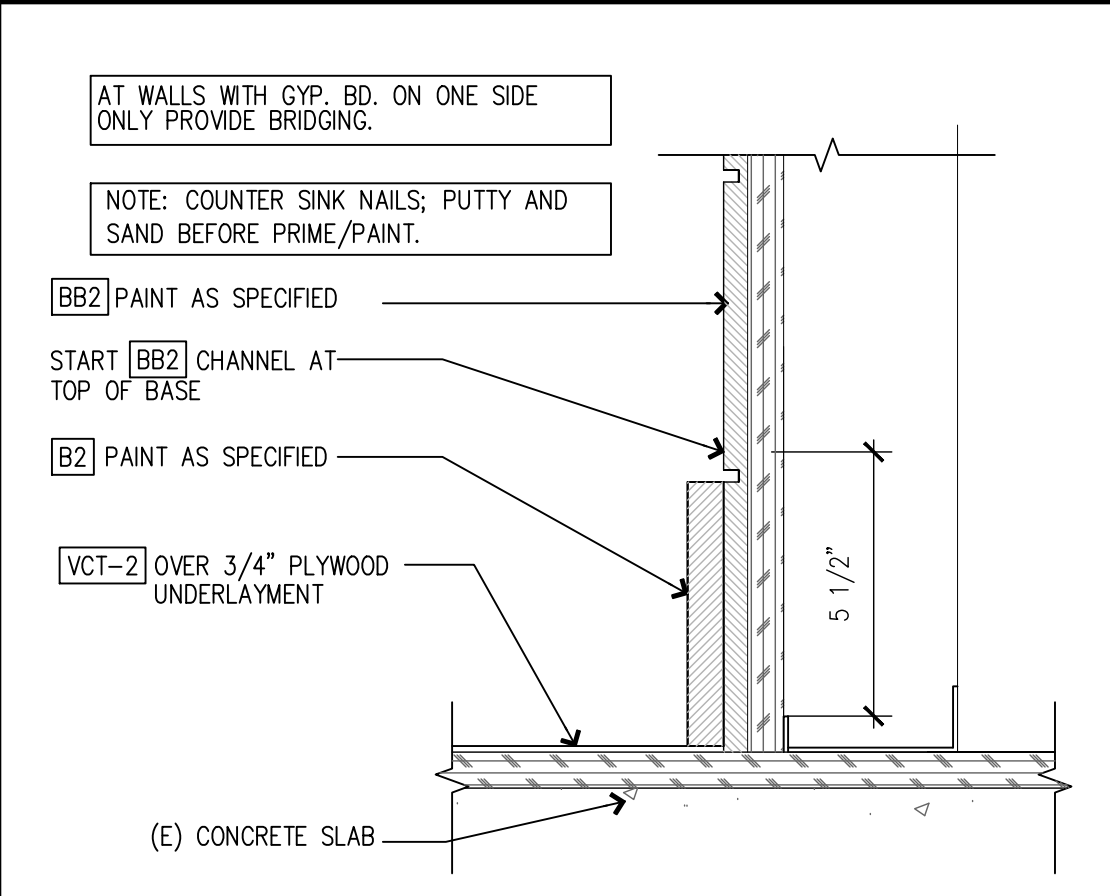
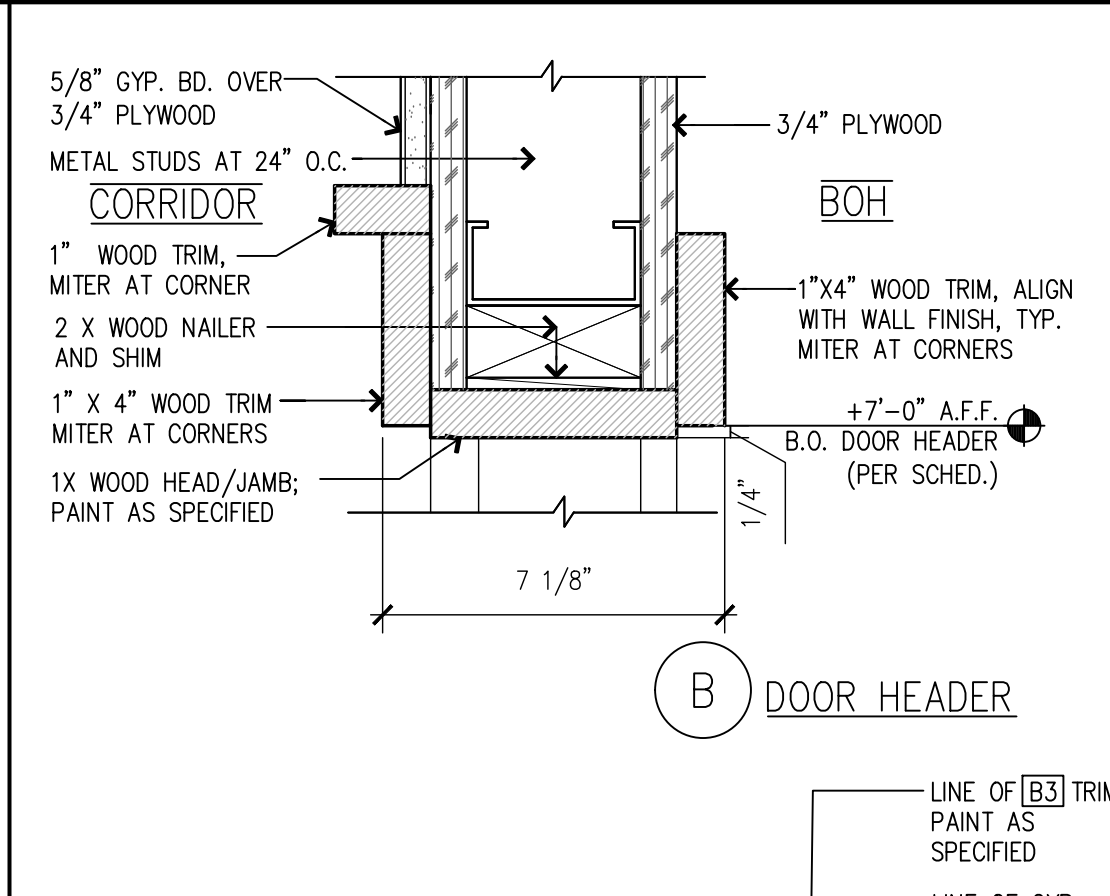


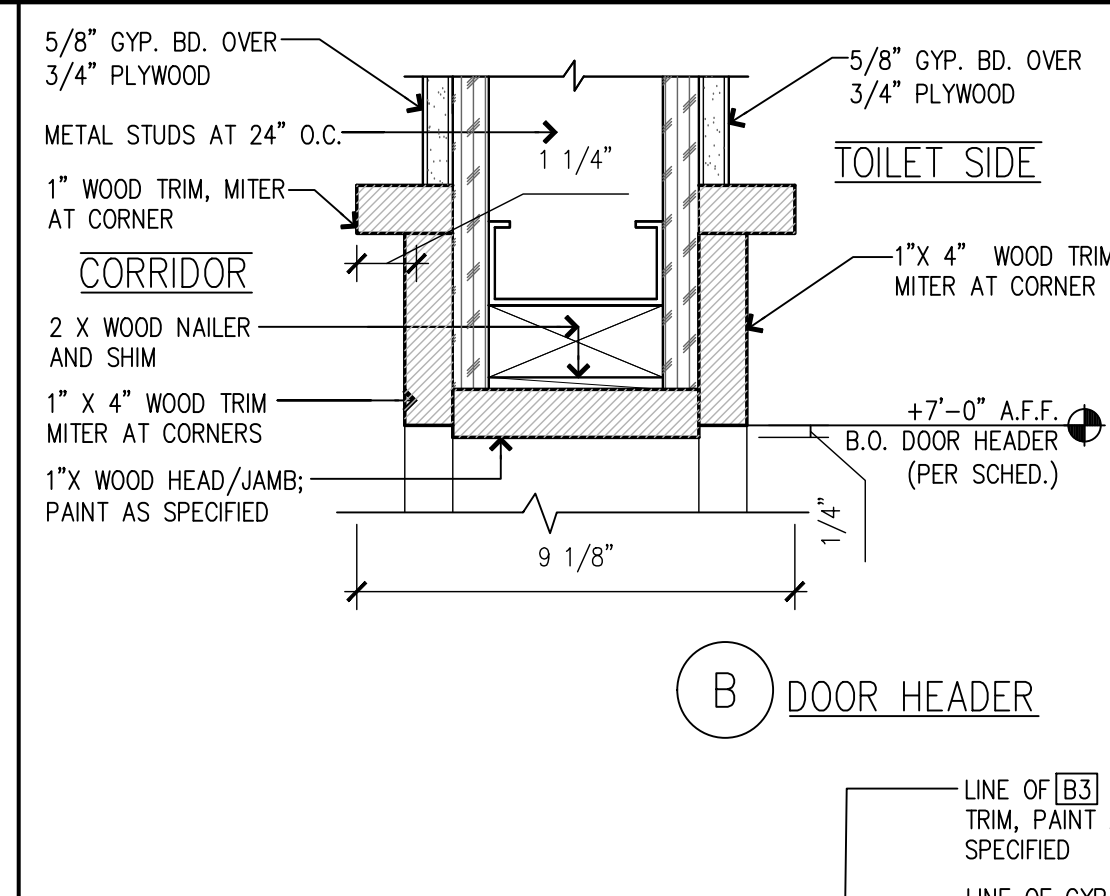
VINYL BASE SCALE: 3" = 1'-0" 4



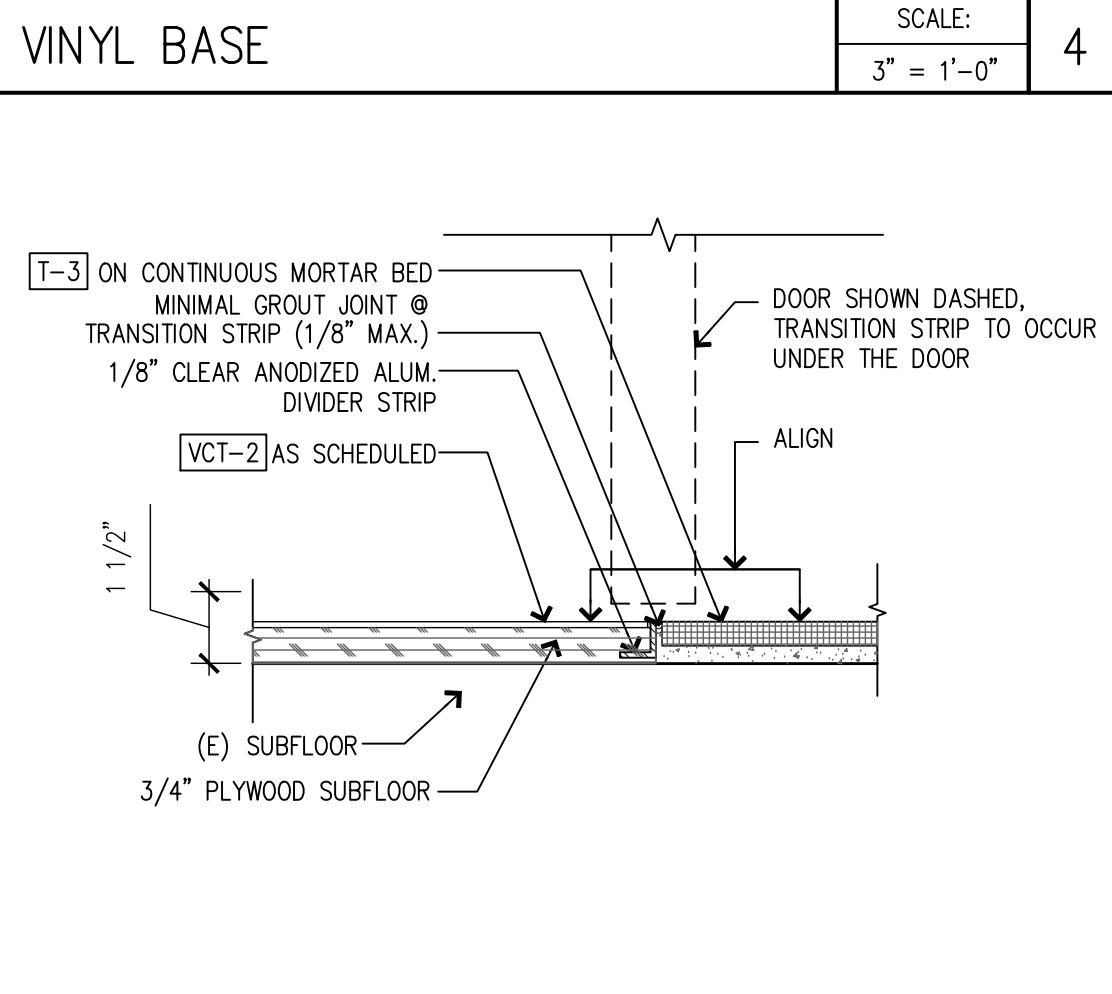
WOOD BASE AT FIT STUDIO SCALE: 3" = 1'-0" 8



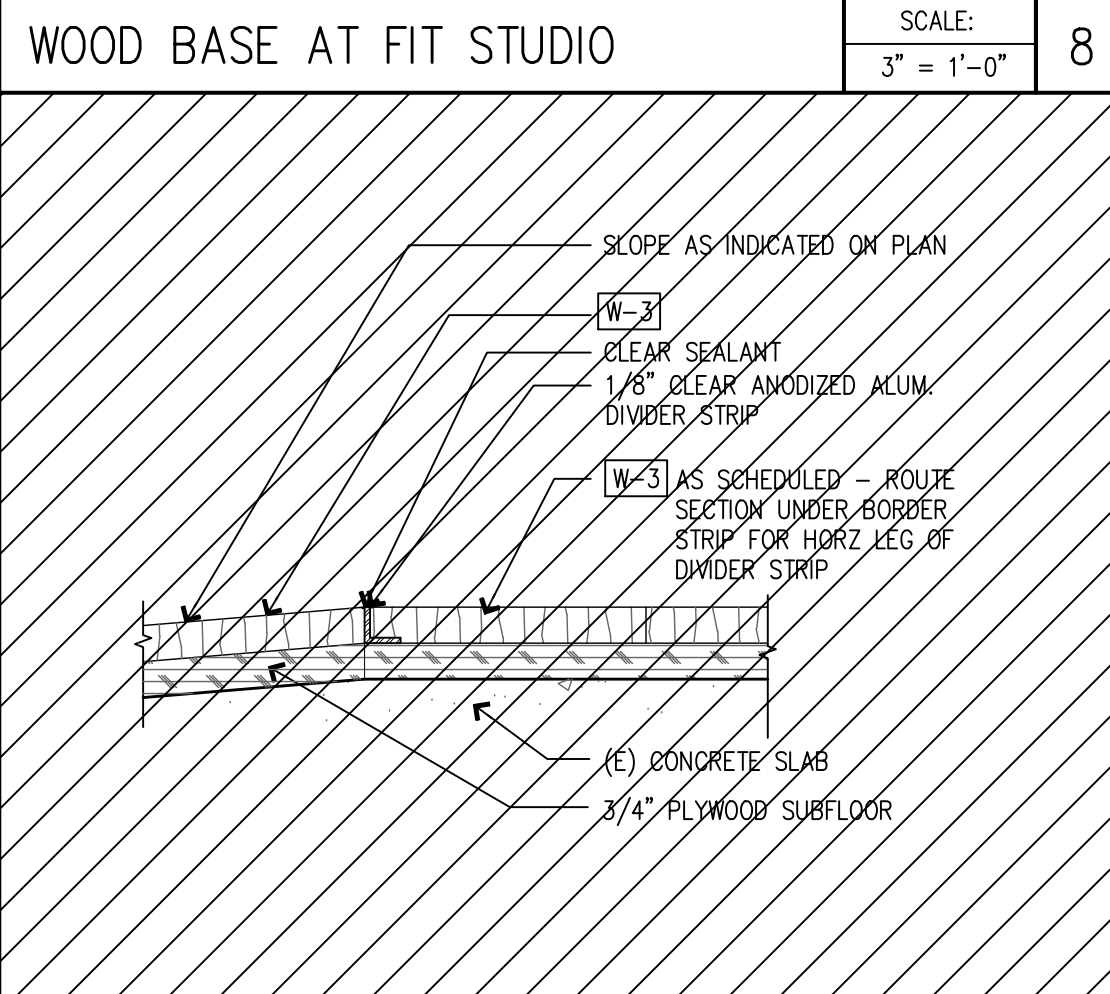
WOOD DOOR HEAD / JAMB SCALE: 3" = 1'-0" 11



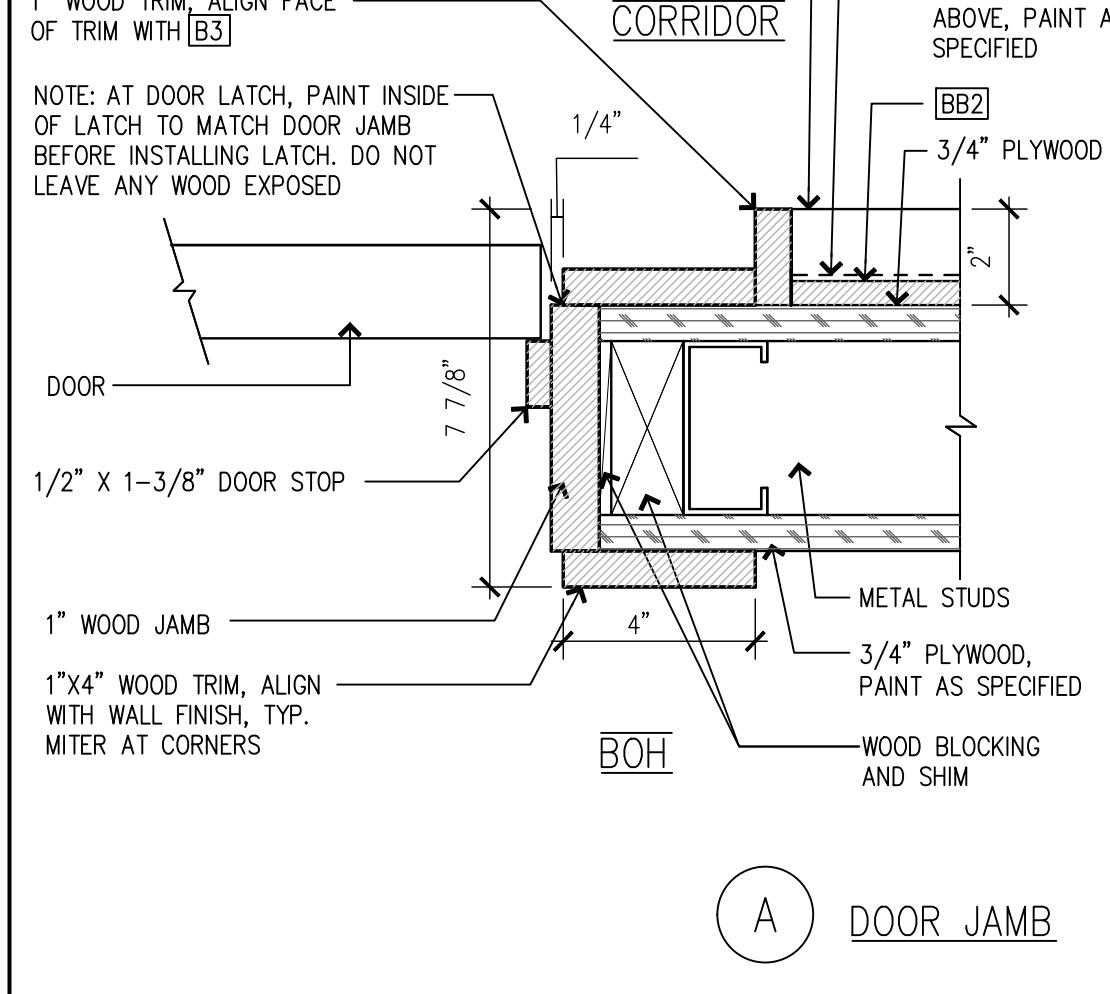
WOOD DOOR HEAD / JAMB SCALE: 3" = 1'-0" 13



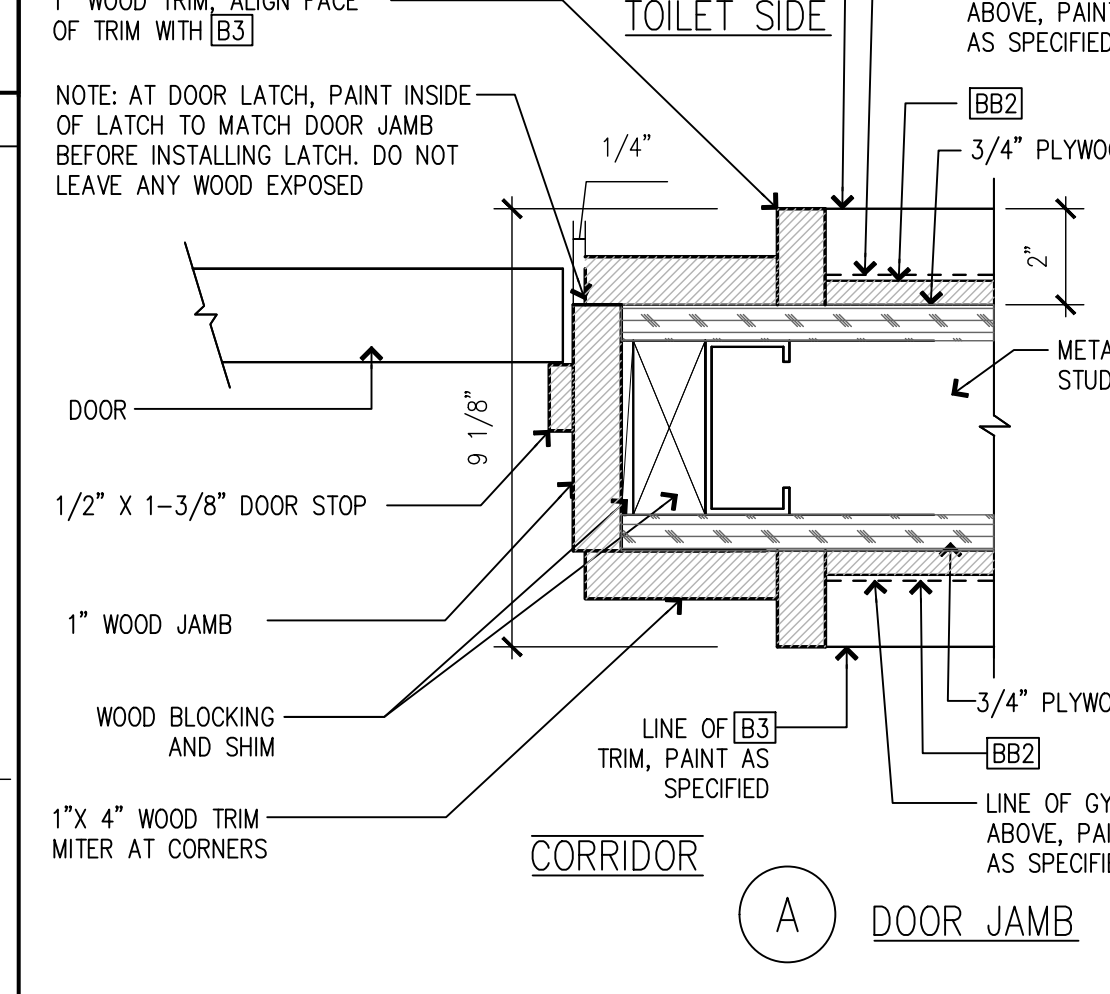
VCT TO TILE TRANSITION SCALE: 3" = 1'-0" 3



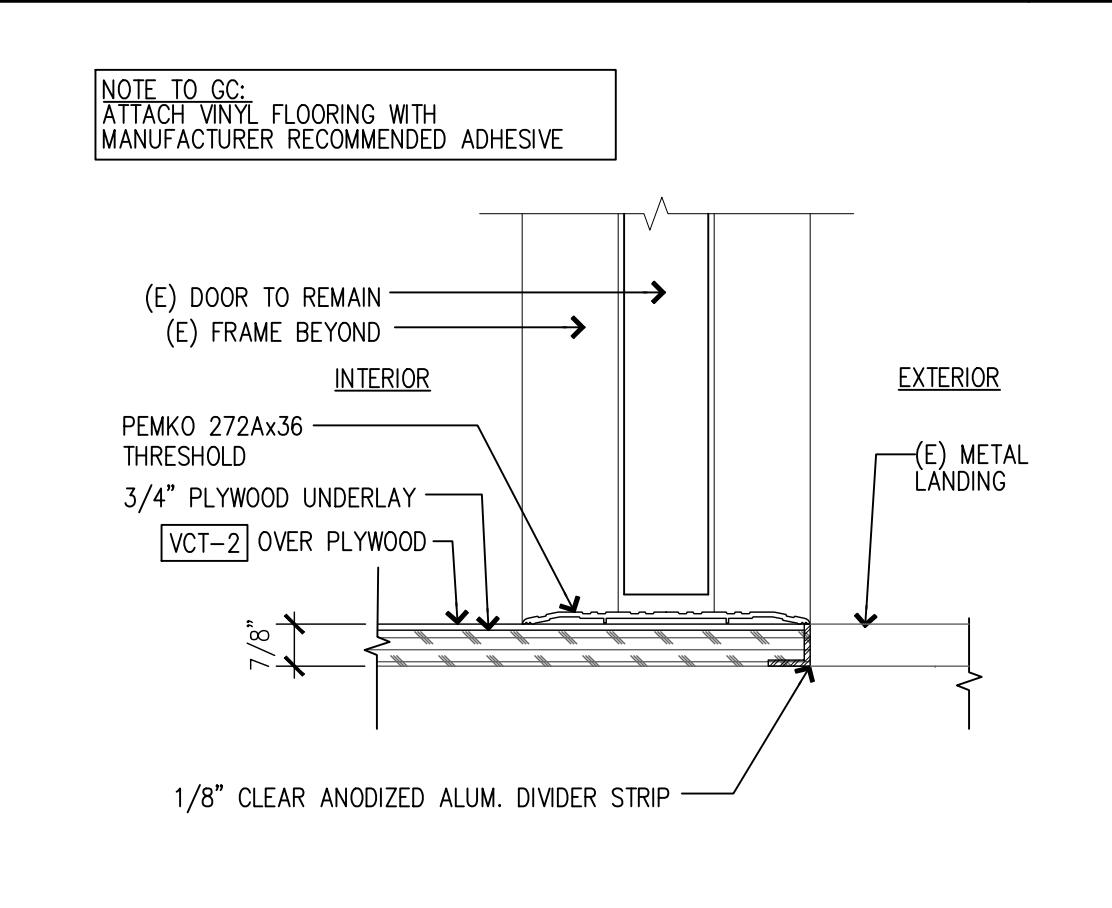
WD TO WD TRANSITION AT RAMP SCALE: 3" = 1'-0" 7



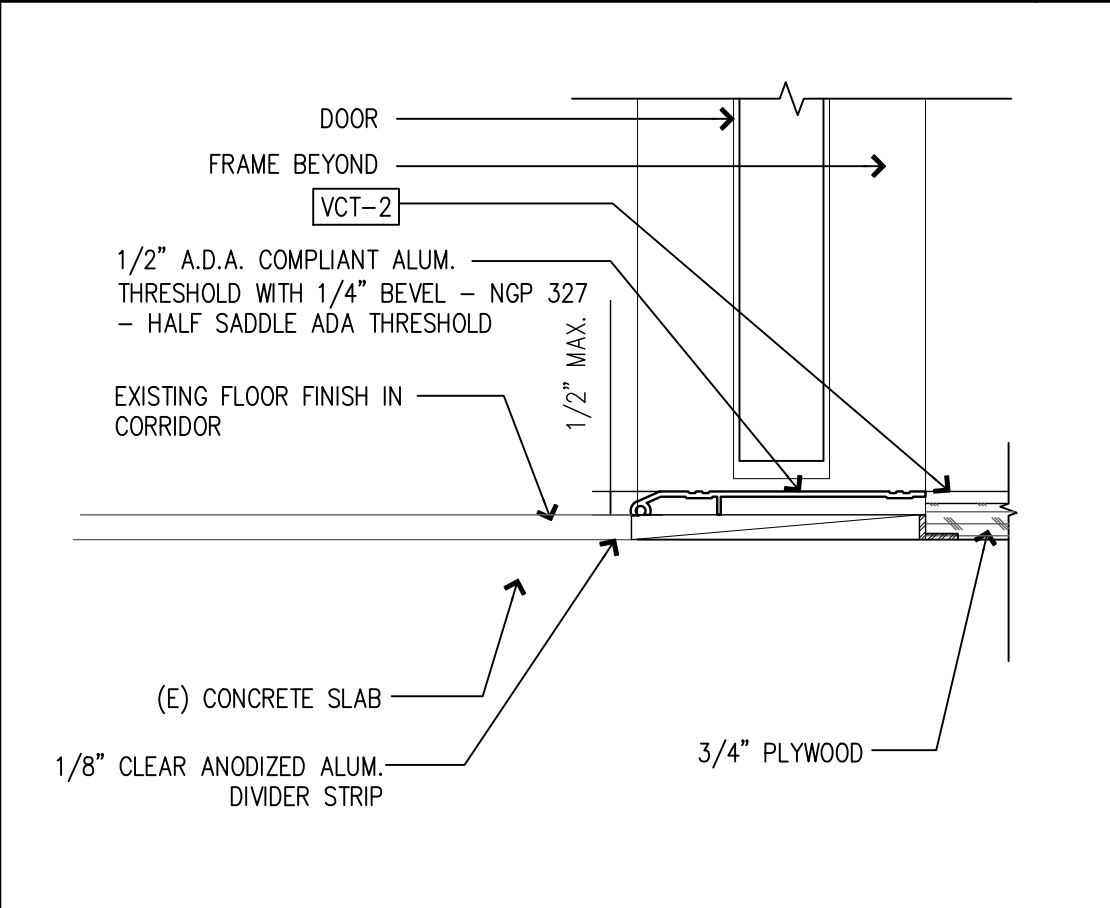
WOOD DOOR HEAD / JAMB SCALE: 3" = 1'-0" 15



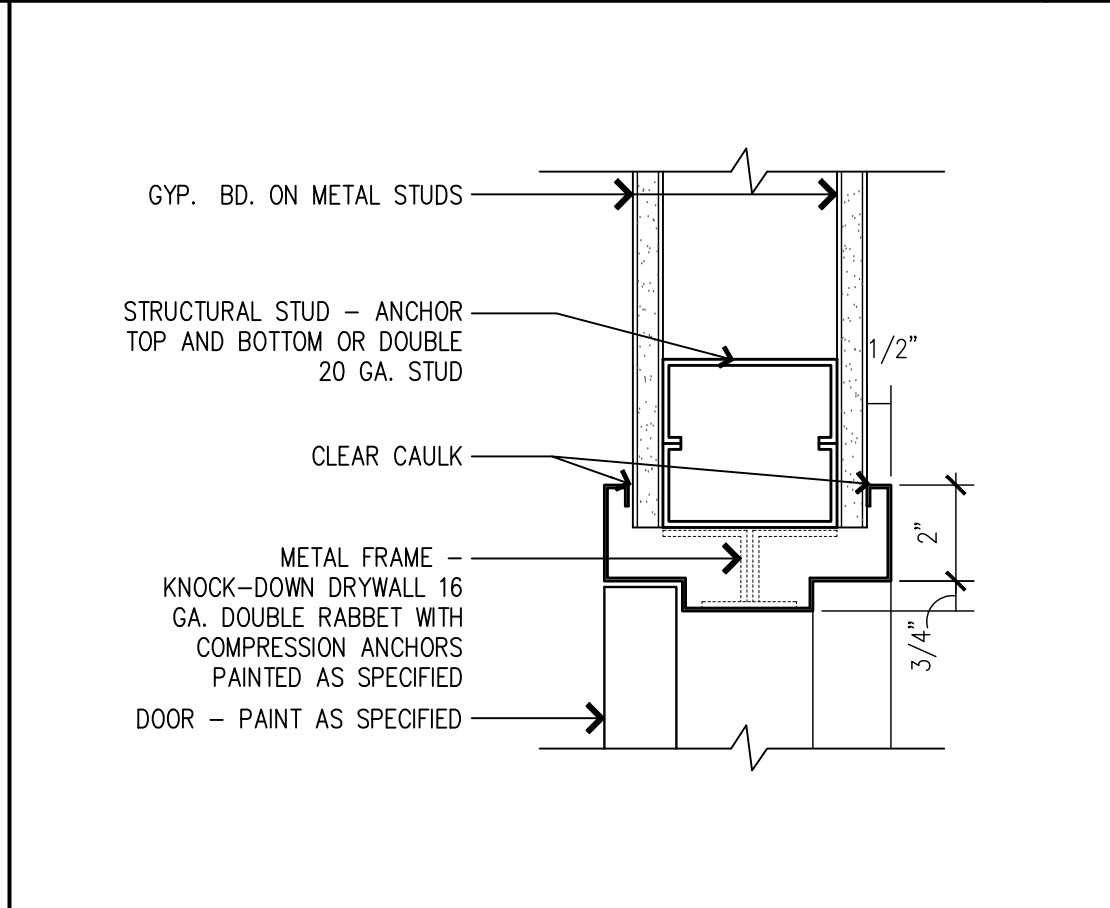
WOOD DOOR HEAD / JAMB SCALE: 3" = 1'-0" 14



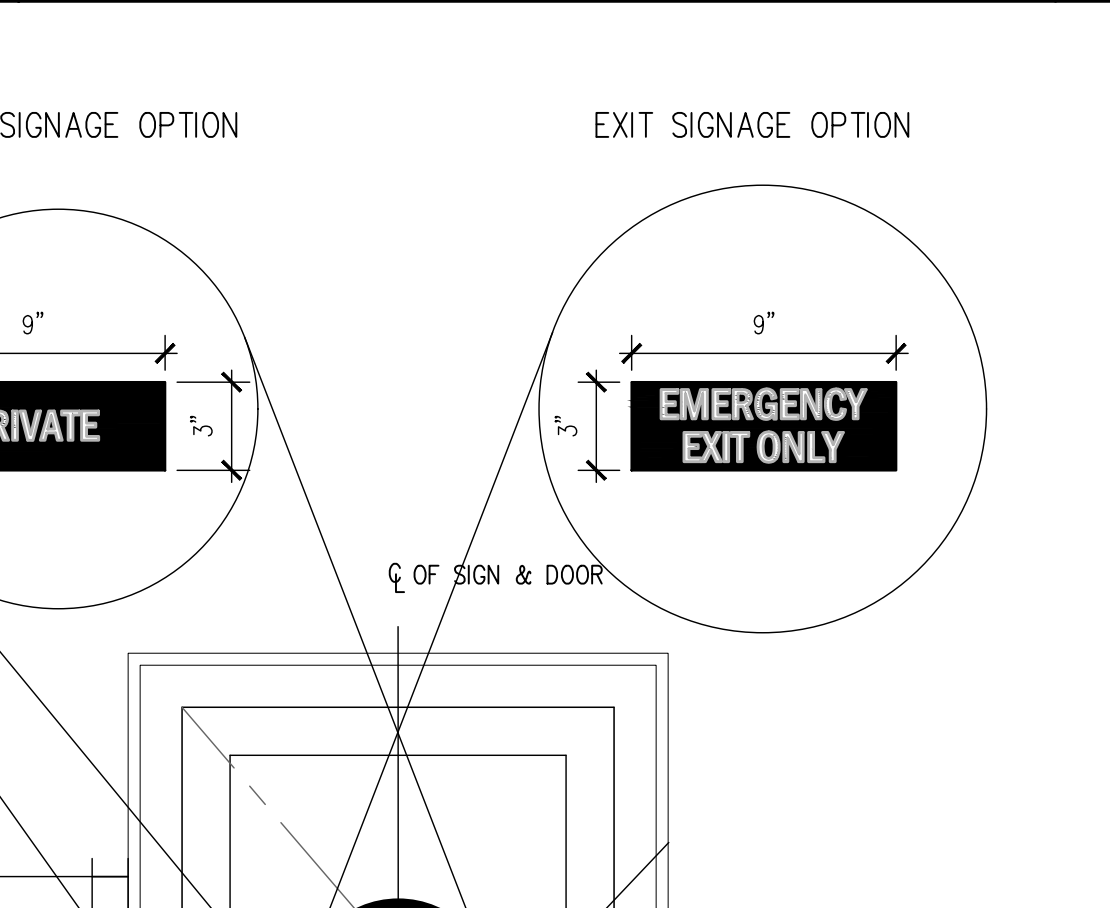
ENTRY THRESHOLD (EXTERIOR CONDITION) SCALE: 3" = 1'-0" 2



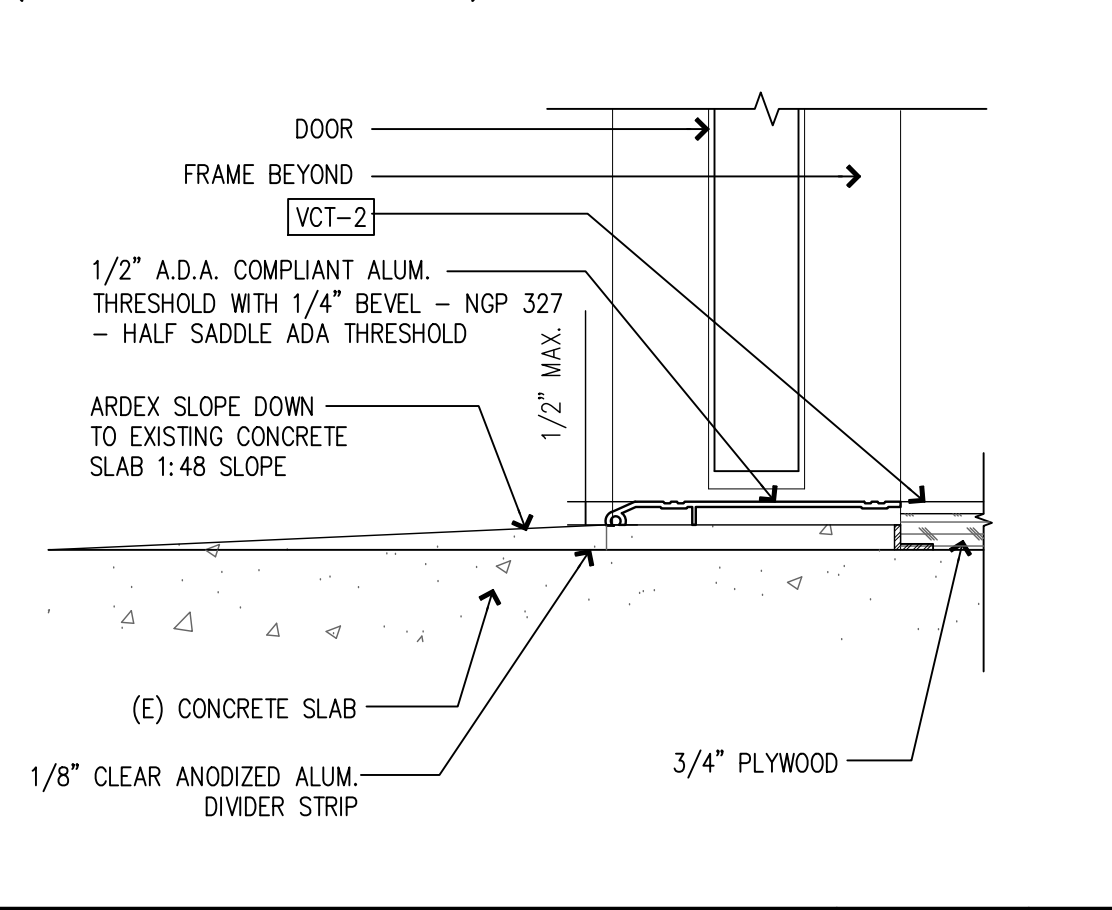
VCT TO (E) CORRIDOR SCALE: 3" = 1'-0" 9



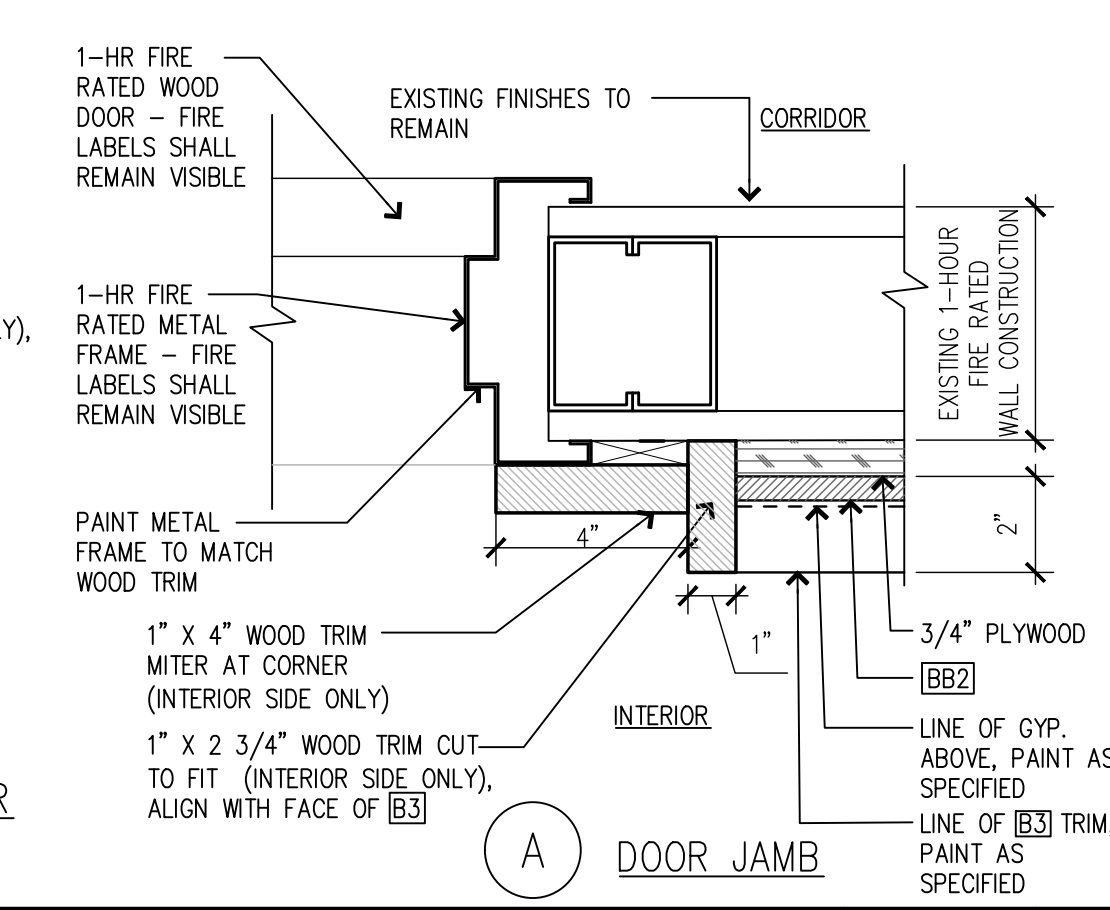
HEAD/JAMB KNOCK DOWN FR. SCALE: 3" = 1'-0" 10



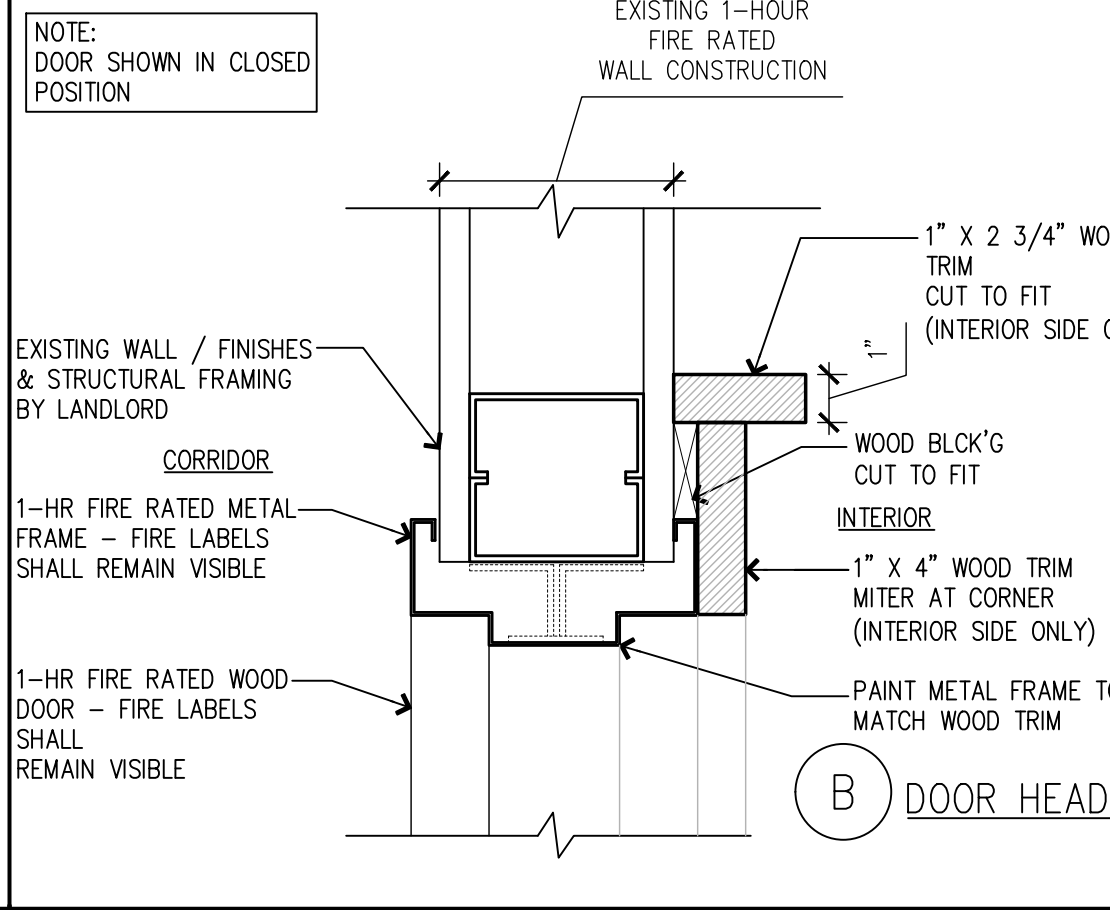
WOOD DOOR HEAD / JAMB SCALE: 3" = 1'-0" 12



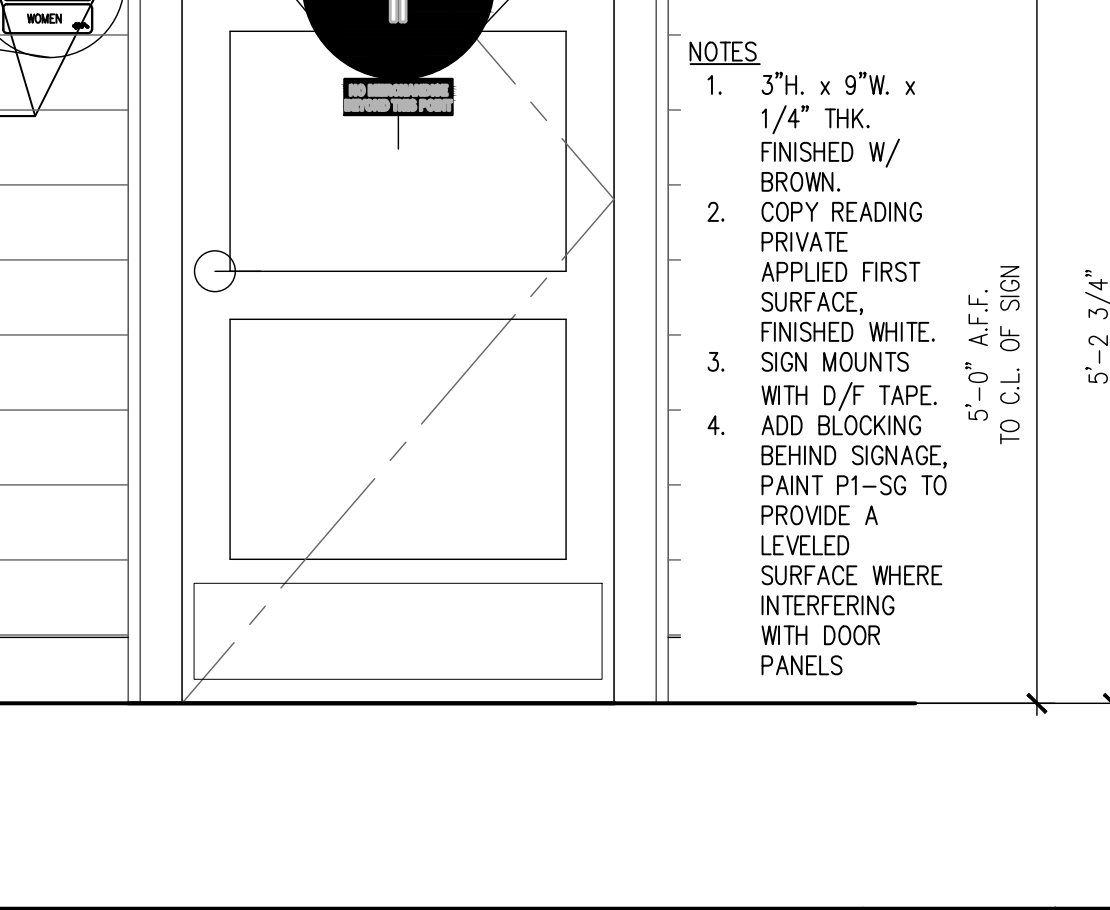
VCT TO CONCRETE SCALE: 3" = 1'-0" 1



FIRE RATED WOOD DOOR HEAD / JAMB SCALE: 3" = 1'-0" 5



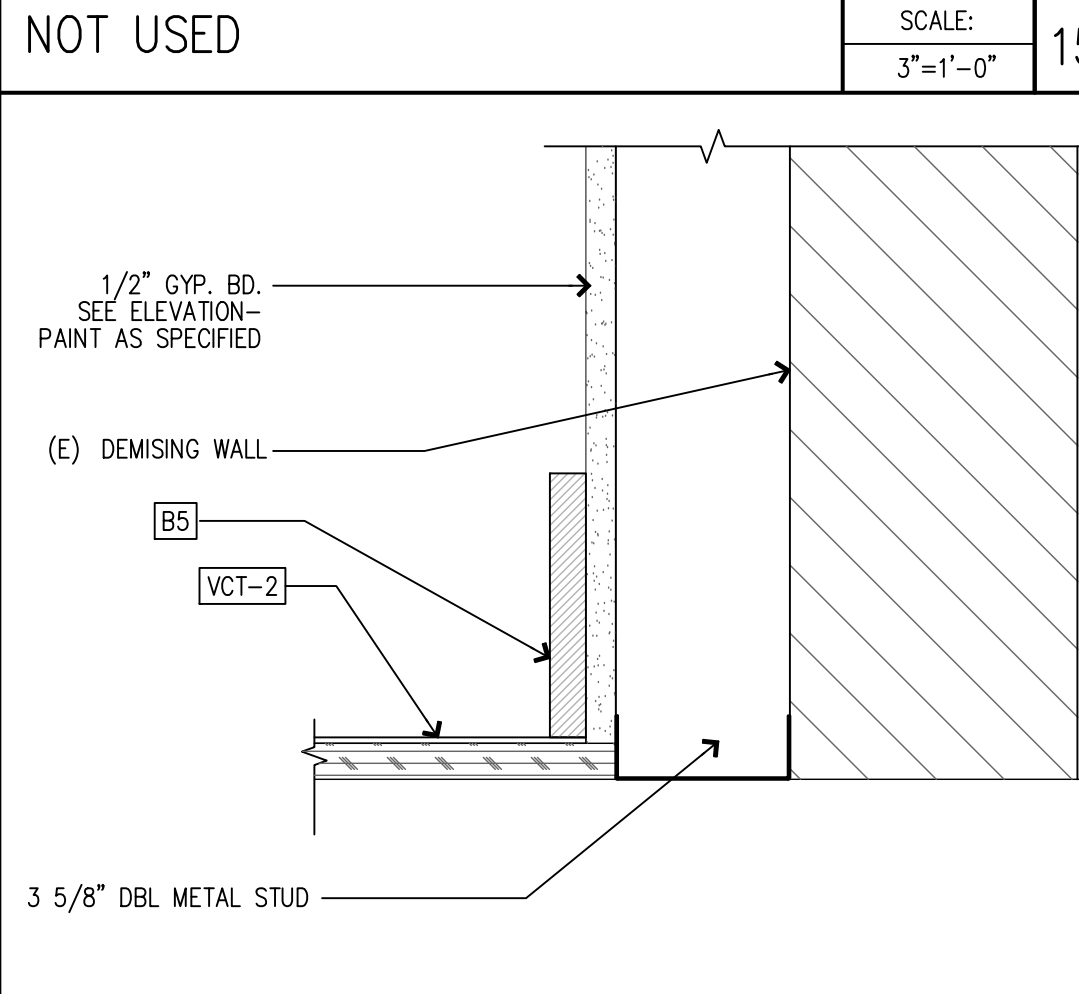
WOOD DOOR HEAD / JAMB SCALE: 3" = 1'-0" 12



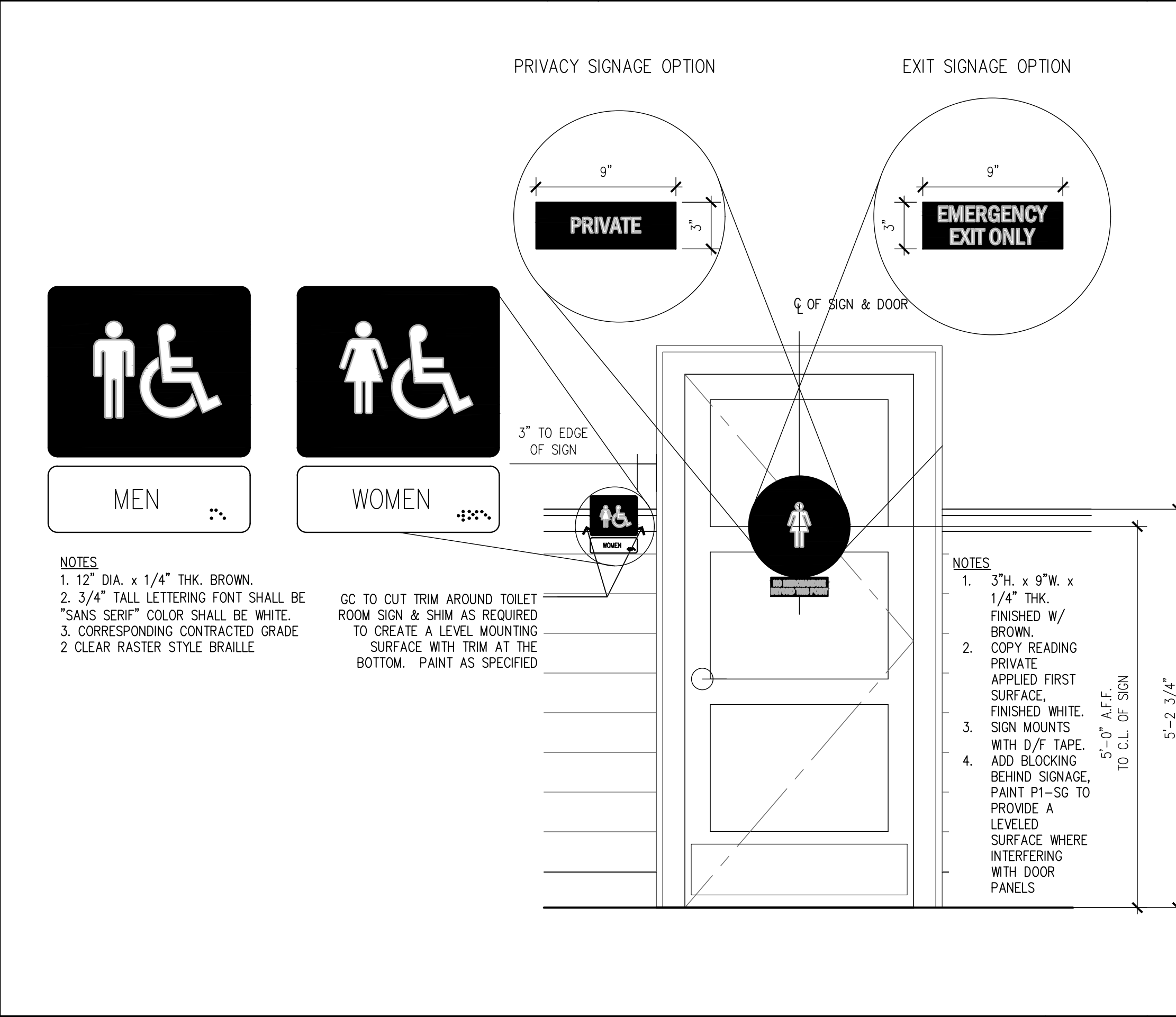
WOOD DOOR HEAD / JAMB SCALE: 3" = 1'-0" 12



WOOD DOOR HEAD / JAMB SCALE: 3" = 1'-0" 15

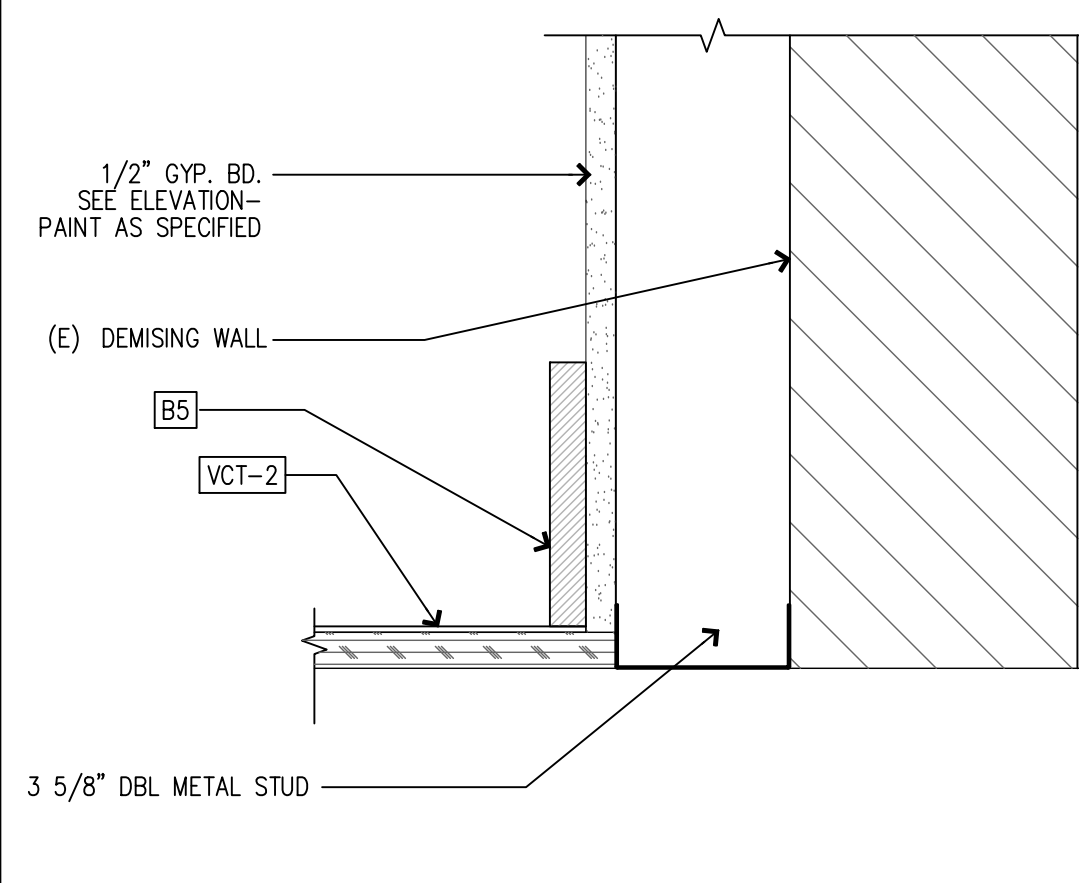


WOOD BASE AT SALES WALL & WOOD COLUMN SCALE: 3" = 1'-0" 14



WOMEN'S/MEN'S TOILET ROOM AND EXIT SIGNAGE SCALE: 3/4" = 1'-0" 12

NOT USED



WOOD DOOR HEAD / JAMB SCALE: 3" = 1'-0" 14