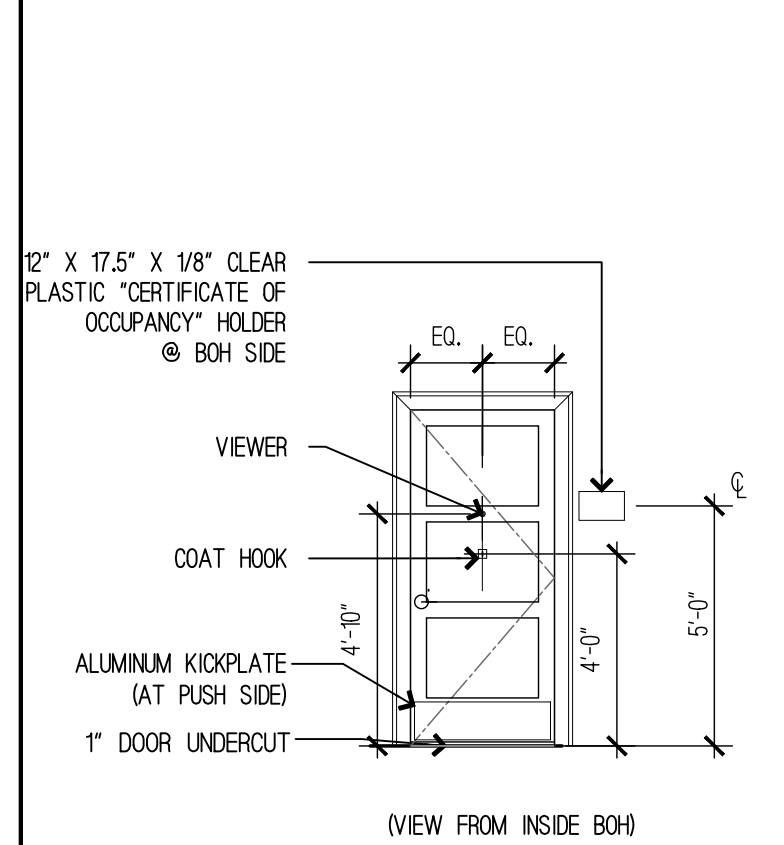
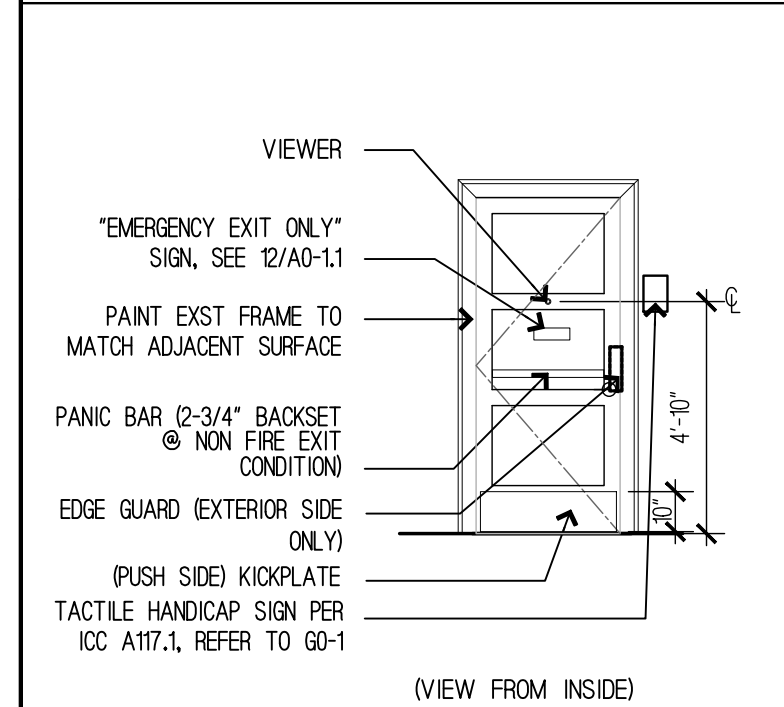


DOOR TYPE E - STOCKROOM/ EMPLOYEE/ MANAGER'S OFFICE (BY GC)



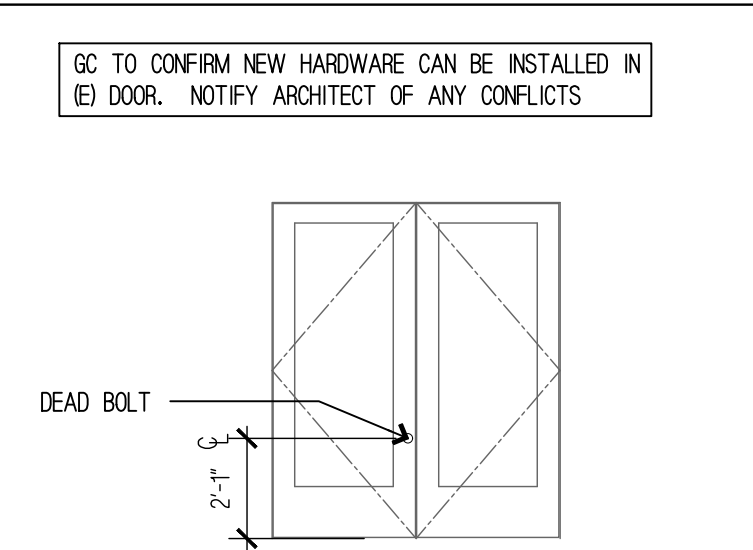
DOOR AND FRAME INFORMATION										
DOOR INFORMATION				FRAME INFORMATION				LOCK CORE	FIRE RATING LABEL	
NOMINAL SIZE (WxHxD)	MATERIAL	KICK PLATE		MATERIAL	JAMB	HEAD	SILL			
3'-0" X 7'-0" X 1-3/4"	WOOD	1		WOOD	13/A0-11	13/A0-11	-	1	NONE	
SIMPSON DOOR (OR APPROVED EQUAL) OVATION SERIES - 87516: 3-PANEL, FLAT PANEL, SHAKER MOLDING PAINT [PFS3]										
COMMENTS: (1) GC TO APPLY ATHLETA NAME AND SPACE NUMBER ON EXTERIOR SIDE OF EXIT DOOR; (2) PAINT PER ELEVATIONS										
DOOR HARDWARE INFORMATION										
QTY.	ITEM	DESCRIPTION								
3	HINGES	STA FBB179 4.5 X 4.5, 619 FINISH								
1	CLOSER	NORTON 8501XSN, ALUMINUM FINISH, 90 DEGREE HOLD OPEN								
3	SILENCERS	IVES SR66, 619 FINISH								
1	KICKPLATE	9" X 34" W X .05" THICK ALUMINUM KICKPLATE, 630 FINISH, PUSH SIDE ONLY								
1	WALL BUMPER	DON JO, #1407 2 1/2" DIA. WALL BUMPER, 619 FINISH OR IVES 2 1/2" DIA. WALL BUMPER WS401CCV-1/2, 619 FINISH - INSTALL ON WALL BEHIND DOOR AT SAME HEIGHT AS DOOR KNOB								
1	LOCKSET	TRILOGY LOCKSET - DL 2700 IC, 626 FINISH, WITH BEST IC 17626								
1	VIEWER	IVES U698 ONE WAY WIDE ANGLE, 619 FINISH MOUNT @ 4'-10" A.F.F.								
1	CLEAR PLASTIC CERTIFICATE HOLDER	12" X 17.5" X 1/8" MOUNT HORIZONTALLY, CENTER @ 5'-6" A.F.F.								
1	PRIVACY SIGN	SCOTT AP MOLDED PLAQUE 3"x6" CUSTOM "PRIVATE", COLOR: SLATE								
1	COAT HOOK	[CH-2] BY OWNER: MOUNT AT 4'-0" A.F.F. INTERIOR OF MANAGER'S OFFICE, BY OWNER								

DOOR TYPE C - EMERGENCY EXIT (BY GC) -



DOOR AND FRAME INFORMATION										
DOOR INFORMATION				FRAME INFORMATION				LOCK CORE	FIRE RATING LABEL	
NOMINAL SIZE (WxHxD)	MATERIAL	KICK PLATE		MATERIAL	JAMB	HEAD	SILL			
3'-0" X 7'-0" X 1-3/4"	WOOD	1		FL METAL	5/A0-11	5/A0-11	-	NONE	1HR	
SIMPSON DOOR (OR APPROVED EQUAL) OVATION SERIES - 87516: 3-PANEL, FLAT PANEL, SHAKER MOLDING PAINT [PFS3]										
COMMENTS: (1) GC TO APPLY ATHLETA NAME AND SPACE NUMBER ON EXTERIOR SIDE OF EXIT DOOR; (2) PAINT PER ELEVATIONS										
DOOR HARDWARE INFORMATION										
QTY.	ITEM	DESCRIPTION								
2	HINGES	STA FBB179 4.5 X 4.5 NRP, 619 FINISH								
1	PANIC	PRE FL2103 X 4903A X ALW - HARDWIRED - 619 FINISH SHOULD ACCEPT BEST 7-PIN CORE								
1	CLOSER	NORTON 8501XSN, ALUMINUM FINISH, 90 DEGREE HOLD OPEN								
1	MORT CYLINDER	BEST IE74, 619 FINISH								
1	RIM CYLINDER	BEST IE72, 619 FINISH								
1	GASKET (SMOKE SEAL)	PEMKO S88017								
1	THRESHOLD	PEMKO 272A X 36, 619 FINISH								
1	VIEWER	IVES U698 B26D, 619 FINISH								
3	SILENCERS	IVES SR66, 619 FINISH								
1	KICKPLATE	9" X 34" W X .05" THICK ALUMINUM KICKPLATE, 619 FINISH, PUSH SIDE ONLY								
1	EDGE GUARD	DON JO NLP-210: INSTALL ON LATCH SIDE PAINT TO MATCH DOOR AND FRAME								
1	ELECTRIC HINGES	STA FBB179 4.5 X 4.5 NRP ETW-4, 619 FINISH								
1	WIRING HARNESS	STA WH495								
1	EXIT DEVICE	WITH EMPLOYEE OVERRIDE (BOTH SIDES) - APEX 2100, W 1700A TRIM, AND EXIT ALARM KIT: 619 FINISH								

DOOR TYPE A - EXISTING ENTRY (EXISTING DOORS & HARDWARE TO REMAIN)

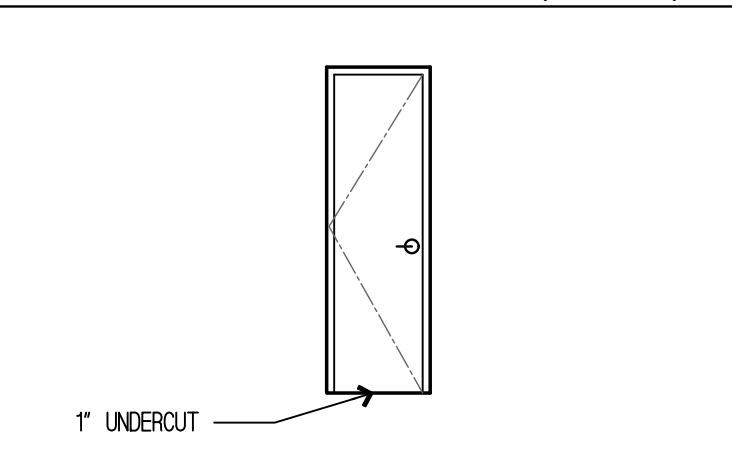


DOOR AND FRAME INFORMATION										
DOOR INFORMATION				FRAME INFORMATION				LOCK CORE	FIRE RATING LABEL	
NOMINAL SIZE (WxHxD)	MATERIAL	KICK PLATE		MATERIAL	JAMB	HEAD	SILL			
(E) 2 - 2'-8" X 11'-0" X 1 3/4"	WD	NONE		ALUM.				2	EXISTING TO REMAIN	
COMMENTS: GC TO CONFIRM (E) HARDWARE IS IN GOOD WORKING ORDER & REPLACE AS REQUIRED										
DOOR HARDWARE INFORMATION										
QTY.	ITEM	DESCRIPTION								
4 EA	HINGES	(E) TO REMAIN								
1 EA	LOCKS	ADAMS RITE MS-1851-A-3PT M40-86, BRUSHED NICKEL FINISH								
2 EA	CLOSERS	(E) TO REMAIN								
2 SETS	DOOR PULLS	(E) TO REMAIN								
1 EA	HANDICAPPED SIGNAGE	SPECIALIZED BUILDERS HDWR #60: 6"X6" ACCESSIBLE DECAL, BROWN BY GC								
6 EA	SILENCERS	IVES SR66, DARK GREY FINISH								
1 EA	MORT CYLINDER	BEST IE74 C81, GC TO RETROFIT TO ACCEPT 7-PIN CORE US26D FINISH								
1 EA	THRESHOLD	(E) TO REMAIN								
1 EA	THUMBTURN	CALIBRE DOOR CLOSERS - #183, CY-3 1 5/32 DIA THUMB TURN, US26D FINISH								
1 EA	SIGN	CLEAR WITH WHITE LETTERS TO READ "THESE DOORS TO REMAIN UNLOCKED WHEN BUILDING IS OCCUPIED" BY GC								
1 EA		(E) TO REMAIN								

DOOR & HARDWARE SCHEDULE

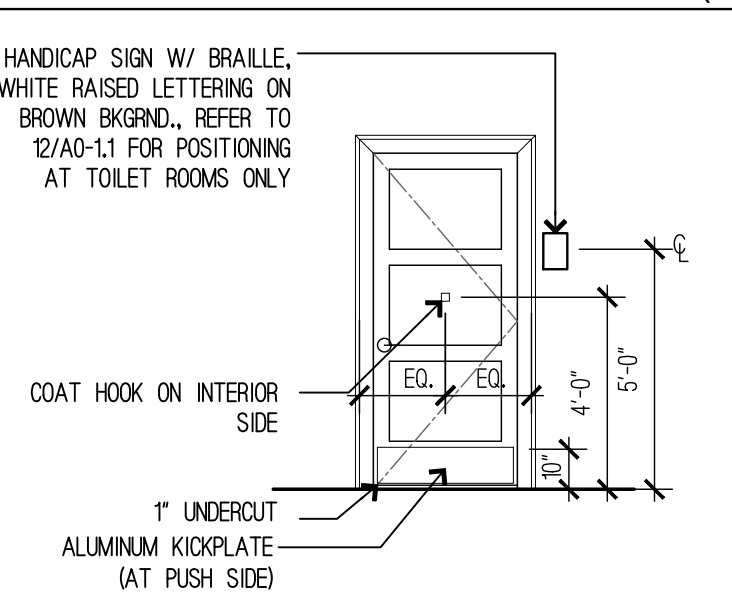
DOOR HARDWARE INFORMATION		DOOR TYPE	PROVIDED BY	INSTALLED BY
MARK	LOCATION			
(1)	ENTRY	TYPE A	(E)	G
(2)	EXIT	TYPE C	G	G
(3)	STOCK ROOM / EMPLOYEE AREA / MANAGER'S OFFICE	TYPE E	G	G
(4)	MENS TOILET	TYPE H	G	G
(5)	WOMENS TOILET	TYPE H	G	G
(6)	MOP SINK	TYPE D	G	G

DOOR TYPE D - MOP SINK (BY GC)



DOOR AND FRAME INFORMATION										
DOOR INFORMATION				FRAME INFORMATION				LOCK CORE	FIRE RATING LABEL	
NOMINAL SIZE (WxHxD)	MATERIAL	KICK PLATE		MATERIAL	JAMB	HEAD	SILL			
2'-0" X 7'-0" X 1-3/4"	HM	1		HM	10/A0-11	10/A0-11	-	-	NONE	
COMMENTS:										
DOOR HARDWARE INFORMATION										
QTY.	ITEM	DESCRIPTION								
1	LATCHSET	BEST 73K CON 150 S3, 619 FINISH								
3	HINGES	STA FBB179 4.5 X 4.5, 619 FINISH								
1	CLOSER	NORTON 8501XSN, ALUMINUM FINISH								
3	SILENCERS	IVES SR66, 619 FINISH								

DOOR TYPE H - RESTROOM DOOR (BY GC)



DOOR AND FRAME INFORMATION										
DOOR INFORMATION				FRAME INFORMATION				LOCK CORE	FIRE RATING LABEL	
NOMINAL SIZE (WxHxD)	MATERIAL	KICK PLATE		MATERIAL	JAMB	HEAD	SILL			
3'-0" X 7'-0" X 1-3/4"	WOOD	1		WOOD	13/A0-11	13/A0-11	-	1	NONE	
SIMPSON DOOR (OR APPROVED EQUAL) OVATION SERIES - 87516: 3-PANEL, FLAT PANEL, SHAKER MOLDING PAINT [PFS3]										
DOOR HARDWARE INFORMATION										
QTY.	ITEM	DESCRIPTION								
1	LOCKSET W/ INDICATOR	BEST 45H716H-VIN, 619 FINISH								
3	HINGES	STA FBB179 4.5 X 4.5, 619 FINISH								
1	CLOSER	NORTON 8501XSN, ALUMINUM FINISH								
1	COAT HOOK	[CH-2] BY OWNER: MOUNT AT 4'-0" A.F.F. INTERIOR OF TOILET ROOMS, BY OWNER								
3	SILENCERS	IVES SR66, 619 FINISH								
1	WALL BUMPER	DON JO, #1407 2 1/2" DIA. WALL BUMPER, 619 FINISH OR IVES 2 1/2" DIA. WALL BUMPER WS401CCV-1/2, 619 FINISH - INSTALL ON WALL BEHIND DOOR AT SAME HEIGHT AS DOOR KNOB								
1	KICKPLATE	9" X 34" W X .05" THICK ALUMINUM KICKPLATE, FINISH 630, PUSH SIDE ONLY								