



29 BLACK POINT ROAD
SCARBOROUGH, MAINE 04074
207-883-6397
WWW.GAWRONTURGEON.COM

**GAWRON
TURGEON**
ARCHITECTS, P.C.

cPort Credit Union
35 Middle & 50 India Street
Portland, Maine

REVISIONS

#	DATE	DESCRIPTION
A	09.14.17	PERMIT SET
B	09.29.17	ISSUED FOR CONSTRUCTION

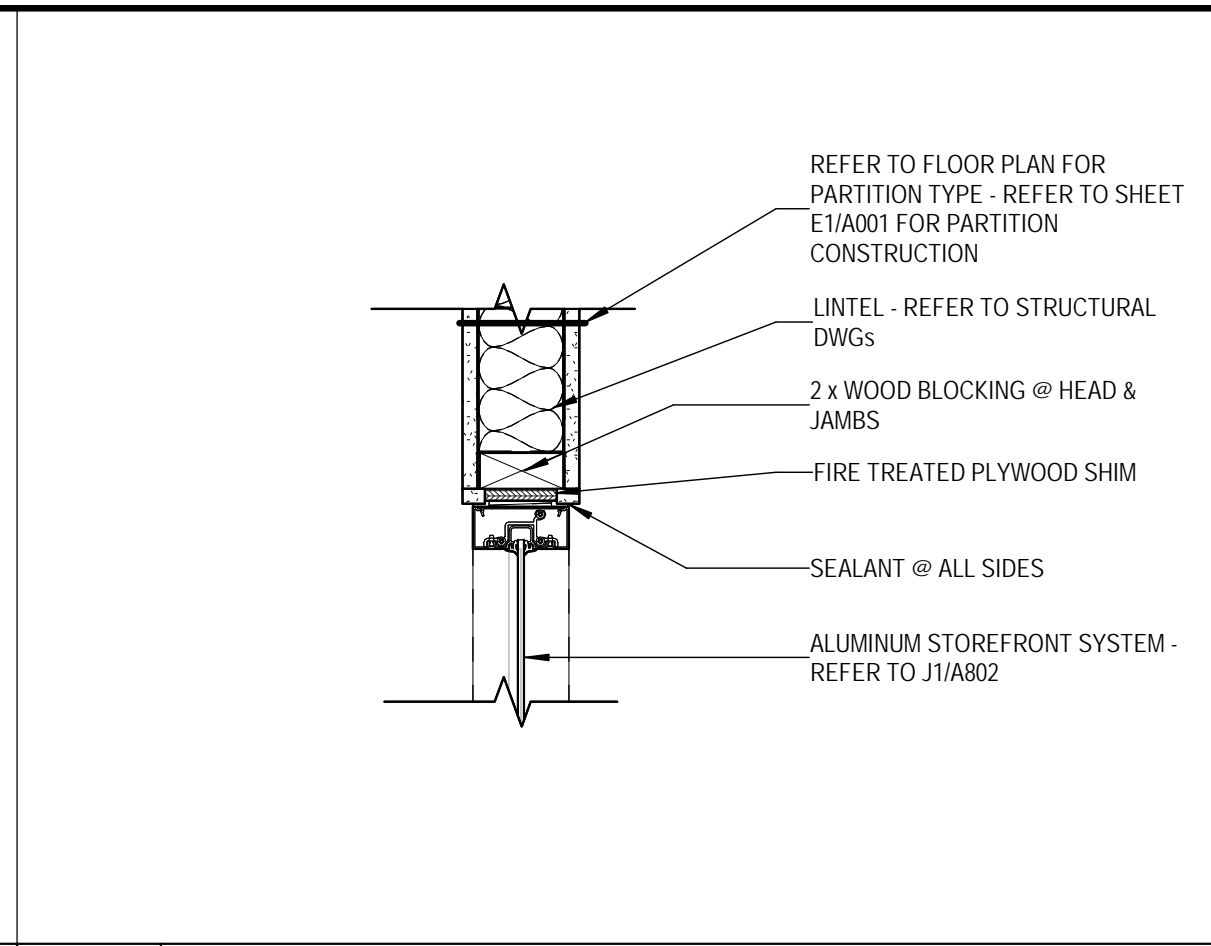
DATE:	09.29.17
PROJECT #	010416
DRAWN BY:	DMR
CHECKED BY:	SWG
DRAWING SCALE	As indicated

SHEET TITLE

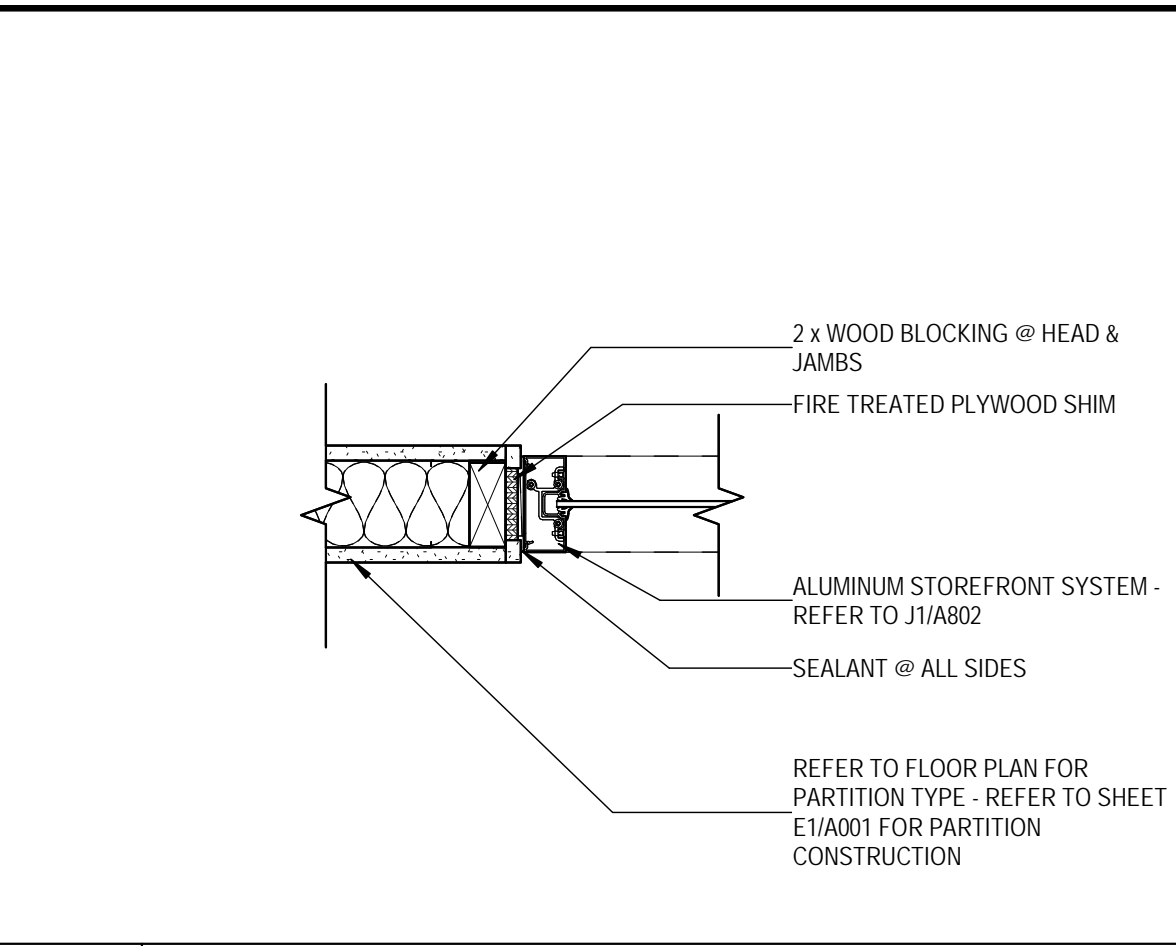
WINDOW TYPES

A802

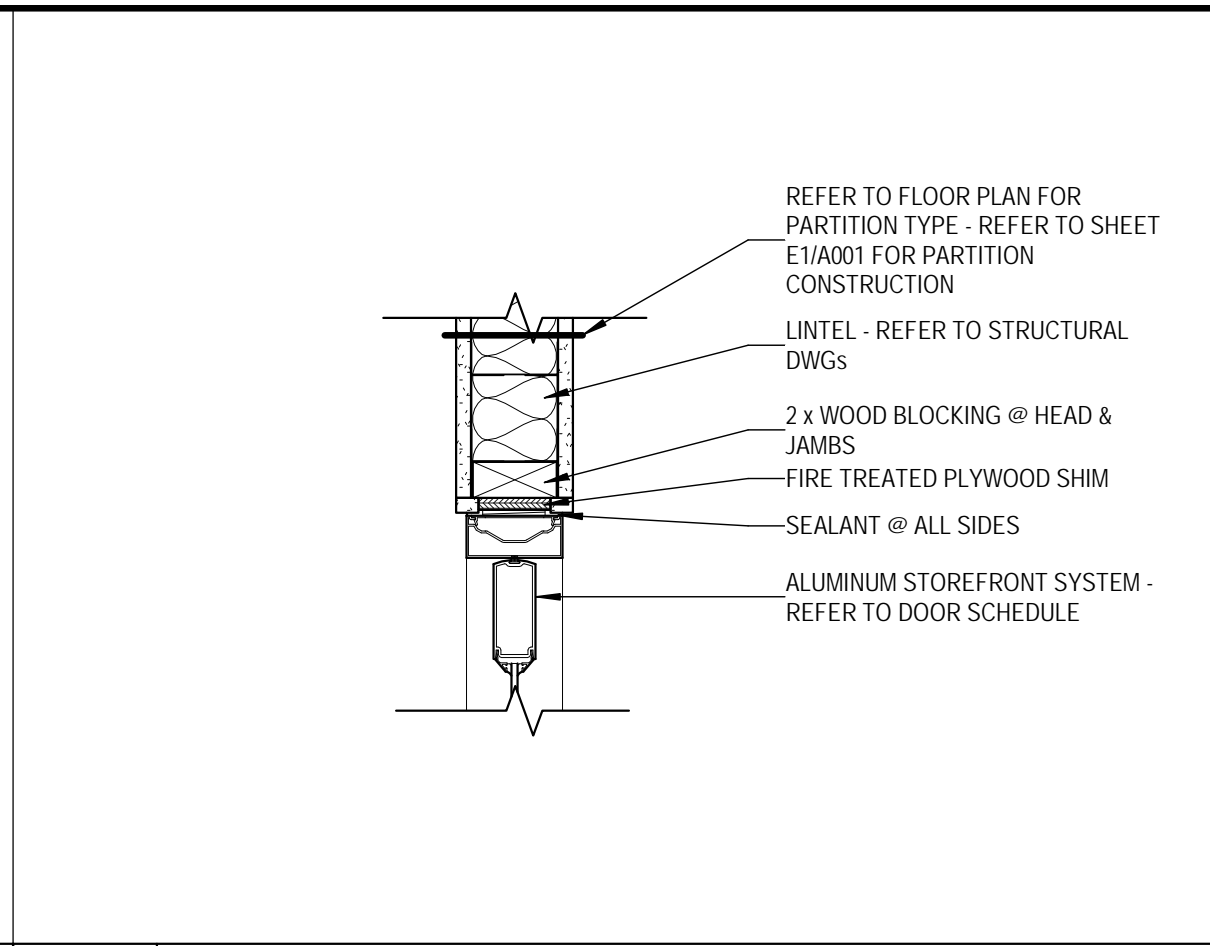
© COPYRIGHT 1985-2017
REPRODUCTION OR RESUE OF
THIS DOCUMENT WITHOUT
THE WRITTEN PERMISSION OF
GAWRON ARCHITECTS IS PROHIBITED



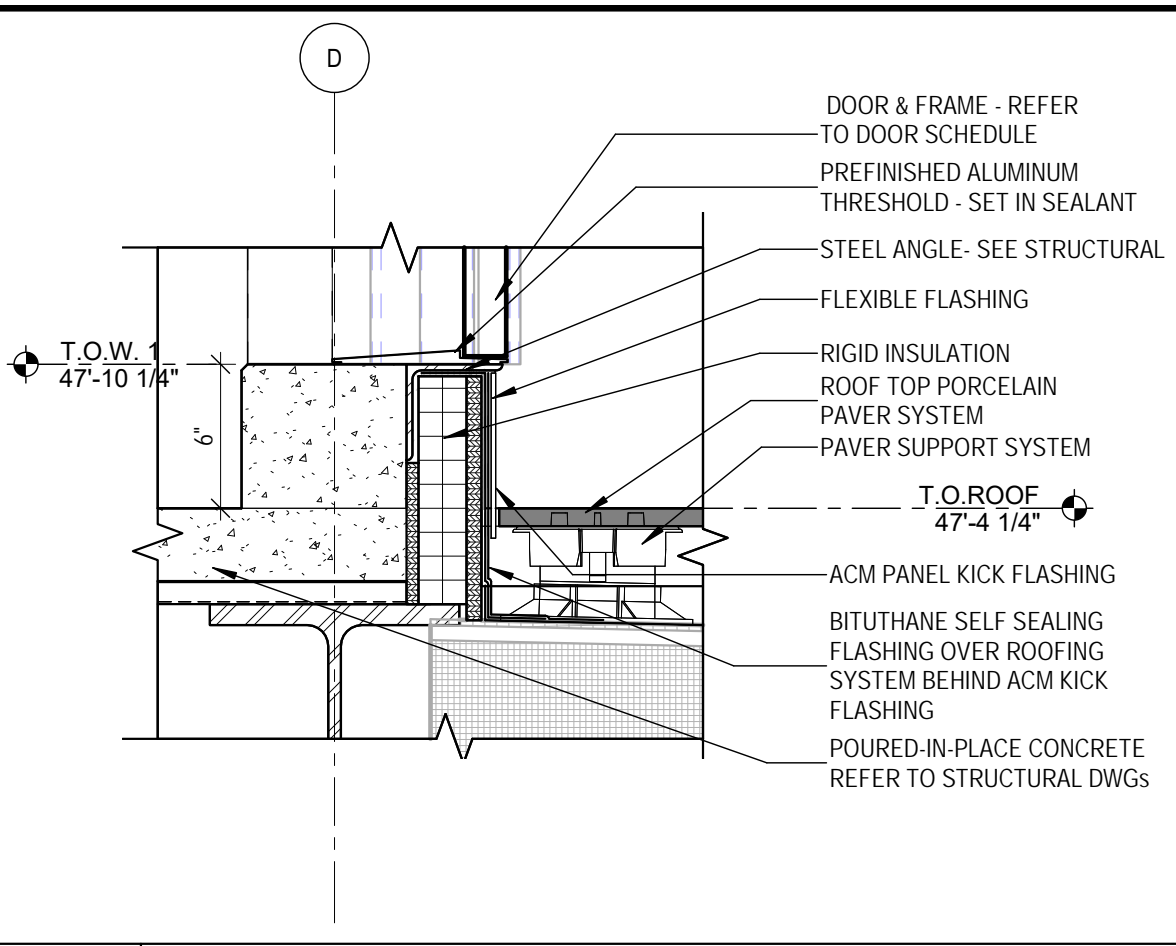
N17 WINDOW DETAIL - SF HEAD
1 1/2" = 1'-0"



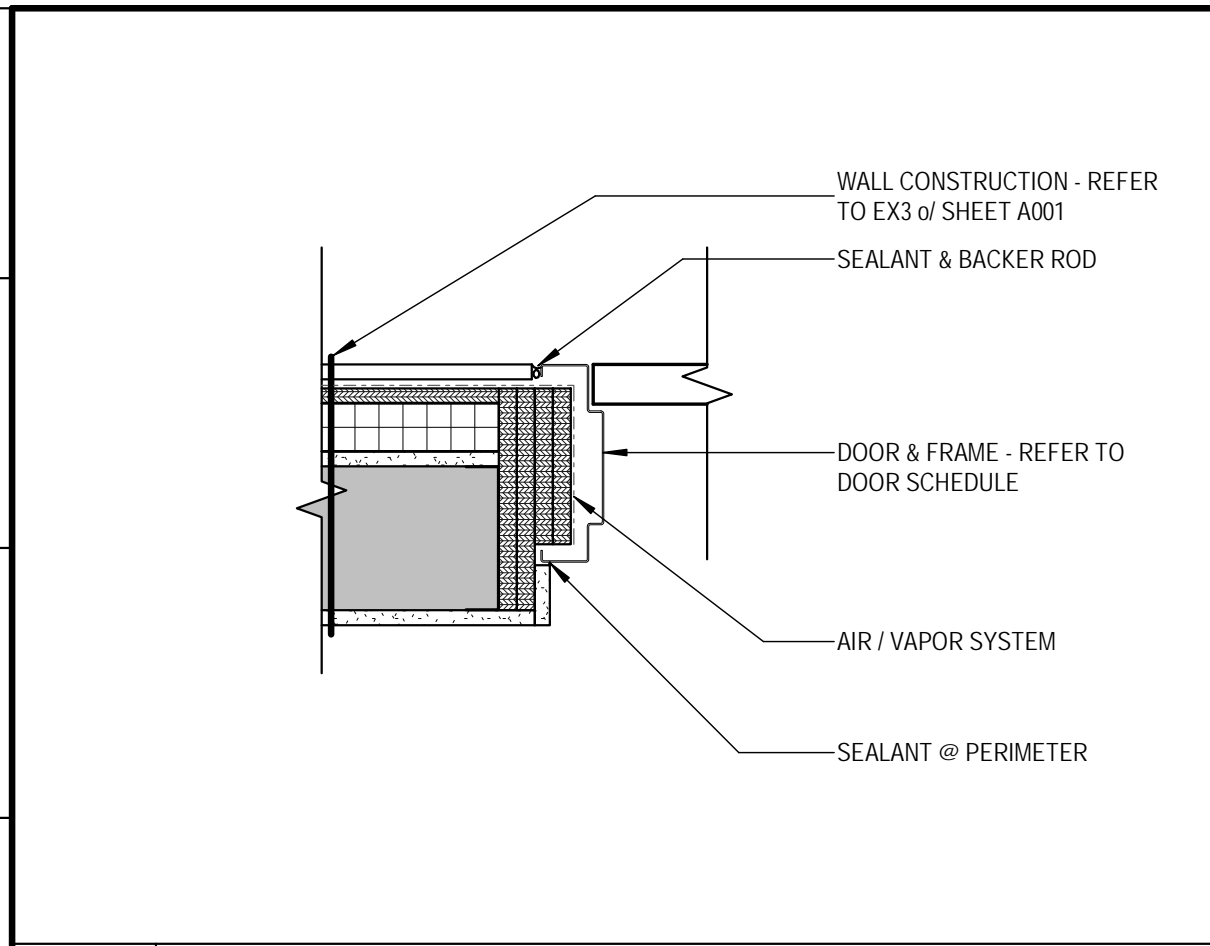
N13 WINDOW DETAIL - SF JAMB
1 1/2" = 1'-0"



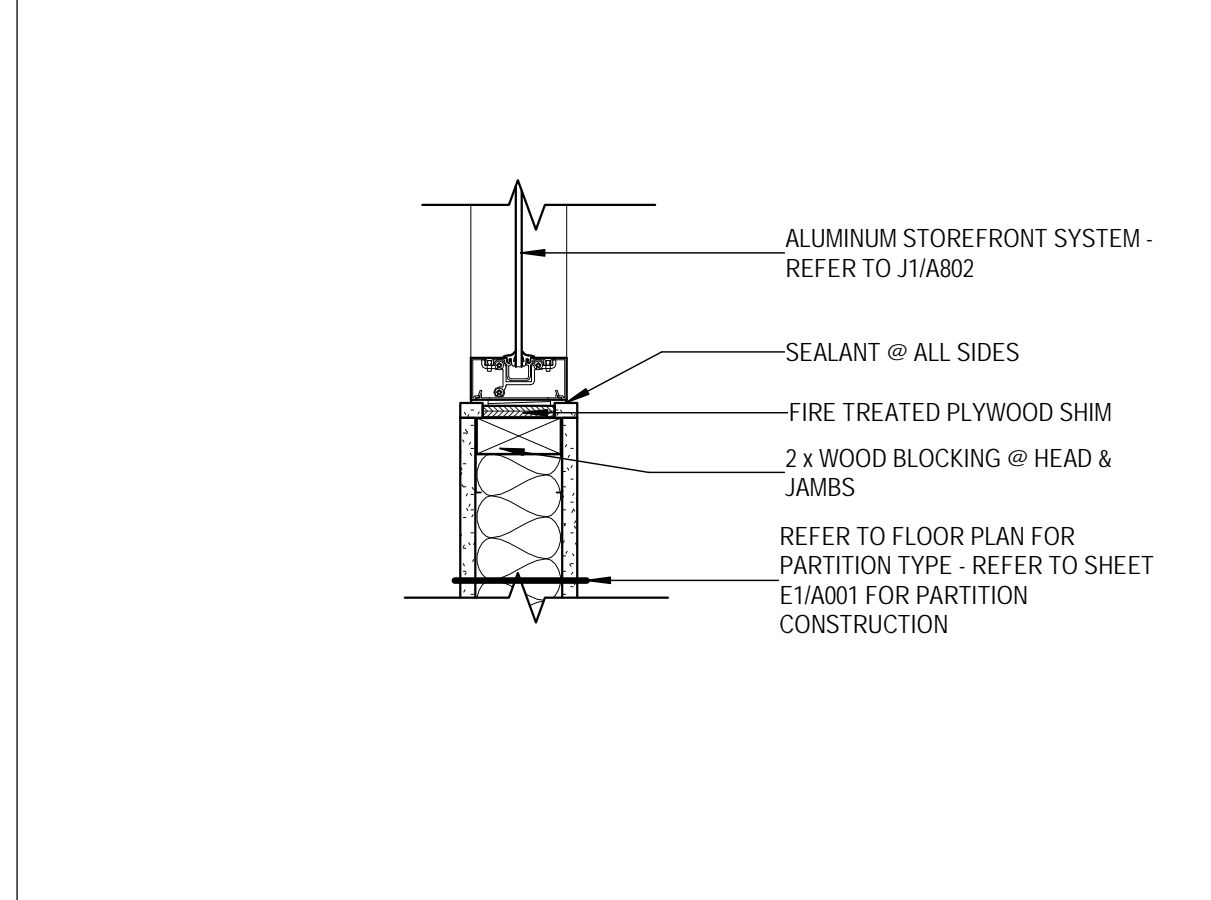
N9 DOOR DETAIL - SF HEAD
1 1/2" = 1'-0"



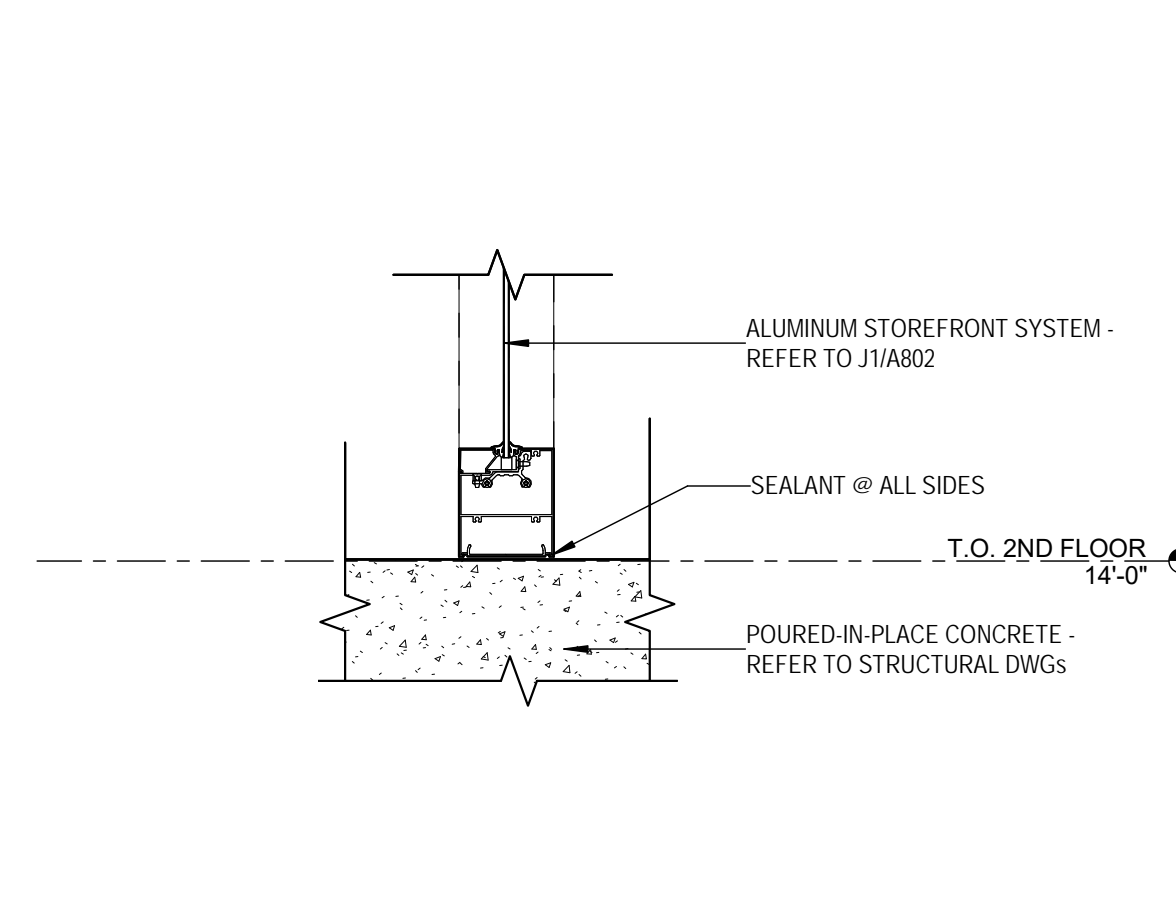
N5 DOOR DETAIL - SILL @ ROOF
1 1/2" = 1'-0"



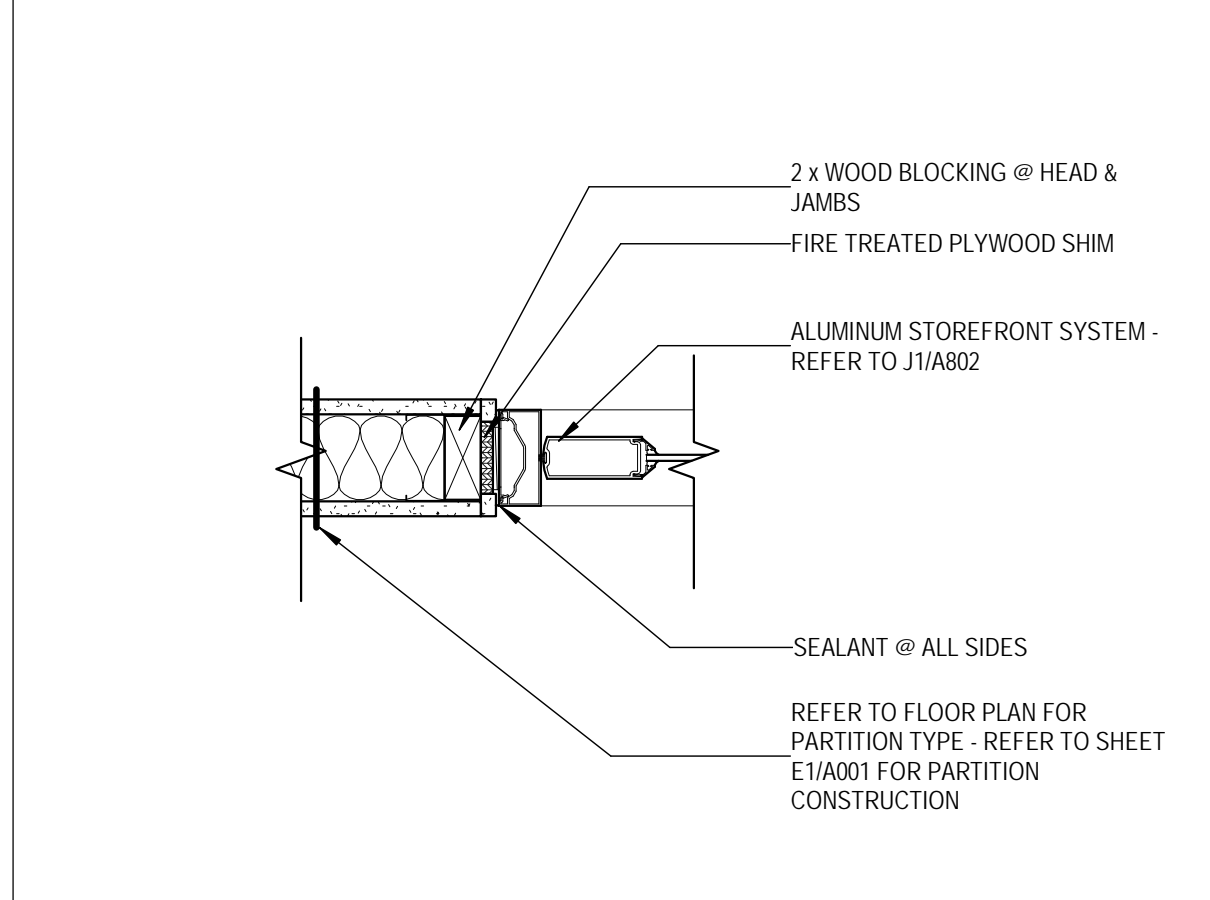
N1 DD - HM JAMB @ NICHIA
1 1/2" = 1'-0"



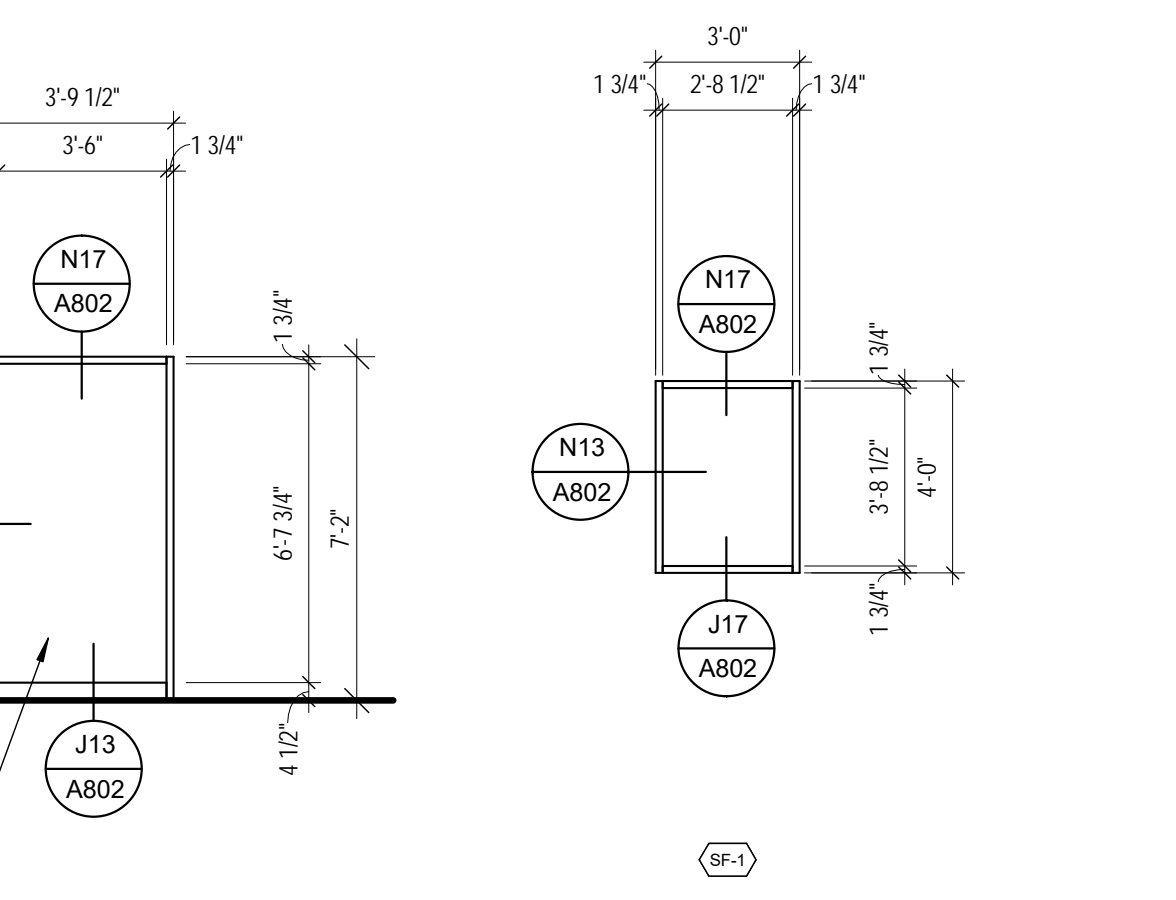
J17 WINDOW DETAIL - SF SILL
1 1/2" = 1'-0"



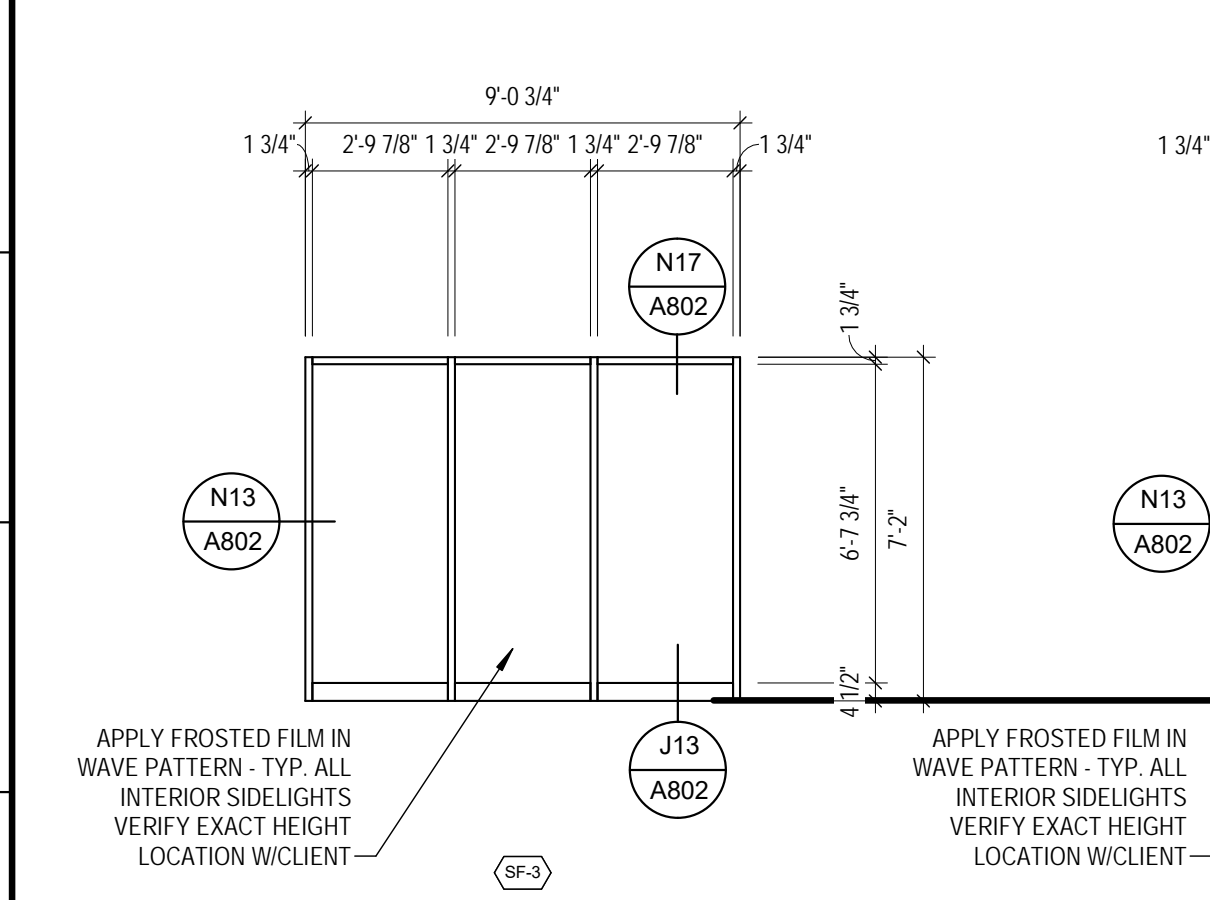
J13 WINDOW DETAIL - SF 4 1/2" SILL
1 1/2" = 1'-0"



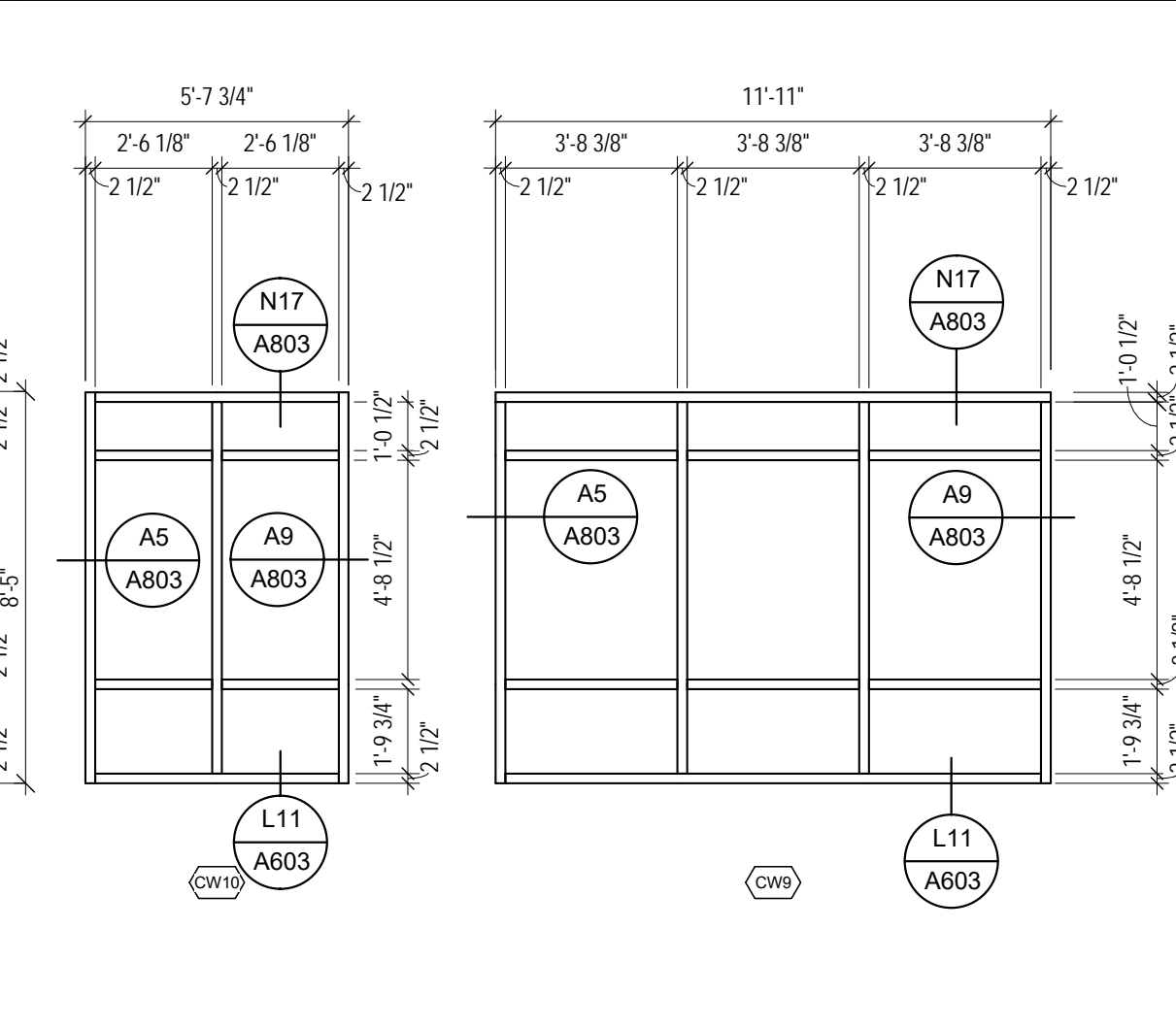
J9 DOOR DETAIL - SF JAMB
1 1/2" = 1'-0"



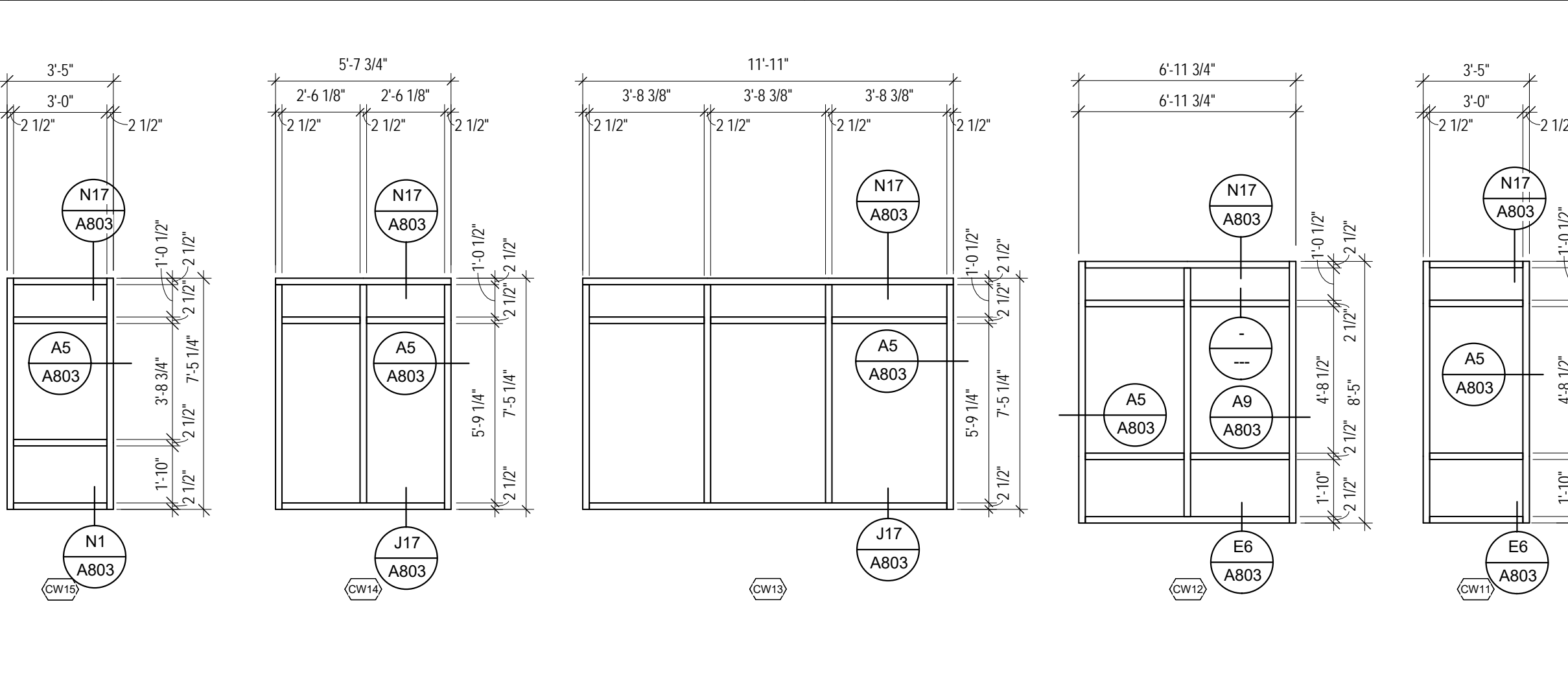
J1 STOREFRONT TYPES
1/4" = 1'-0" ALL GLAZING SHALL BE TEMPERED GLASS



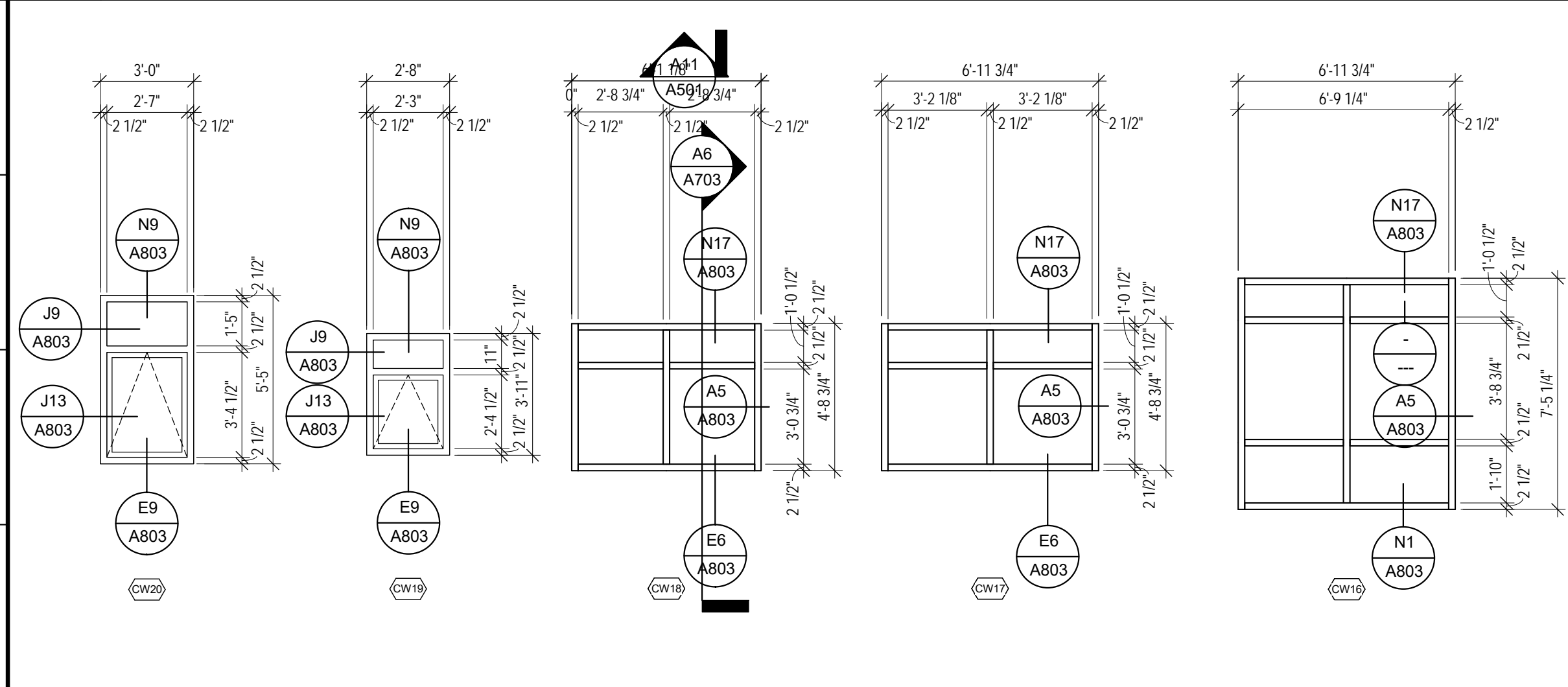
J1 STOREFRONT TYPES
1/4" = 1'-0" ALL GLAZING SHALL BE TEMPERED GLASS



A1 CURTAIN WALL TYPES
1/4" = 1'-0" ALL GLAZING SHALL BE TEMPERED GLASS



A1 CURTAIN WALL TYPES
1/4" = 1'-0" ALL GLAZING SHALL BE TEMPERED GLASS



A1 CURTAIN WALL TYPES
1/4" = 1'-0" ALL GLAZING SHALL BE TEMPERED GLASS

10/20/17 8:00:41 DMR