

the power of

MINI-MICRO™ RECESSED DOWNLIGHT™

PROJECT:	
TYPE:	
CATALOG NUMBER:	
SOURCE:	
NOTES:	

CATALOG NUMBER LOGIC

DM
LED

Example: S - DM - LED - e71 - SP - MAC - 13 - 11

Material _____
 Blank - Aluminum
 B - Brass
 S - Stainless Steel

Series _____
 DM - Mini-Micro™ Recessed Downlight™

Source _____
 LED - 'e' Technology with Integral Driver
Designed for use with remote 12VAC BKSSSL™ transformers.

LED Type _____
 e70 - 3WLED/2.7K e72 - 3WLED/4K
 e71 - 3WLED/3K e73 - 3WLED/Amber

Optics* _____
 NSP - Narrow Spot (Red Indicator) SP - Spot (Green Indicator) MFL - Medium Flood (Yellow indicator) ASY - Asymmetrical (Purple Indicator)

Finish _____

Aluminum Finish			Brass Finish		Premium Finish						
Powder Coat Color	Satin	Wrinkle	Machined	MAC	ABP	Antique Brass Powder	CMG	Cascade Mountain Granite	RMG	Rocky Mountain Granite	
Bronze	BZP	BZW	Polished	POL	AMG	Aleutian Mountain Granite	CRI	Cracked Ice	SDS	Sonoran Desert Sandstone	
Black	BLP	BLW	Mitique™	MIT	AQW	Antique White	CRM	Cream	SMG	Sierra Mountain Granite	
White (Gloss)	WHP	WHW	Stainless Finish			BCM	Black Chrome	HUG	Hunter Green	TXF	Textured Forest
Aluminum	SAP	—	Machined	MAC	BGE	Beige	MDS	Mojave Desert Sandstone	WCP	Weathered Copper	
Verde	—	VER	Polished	POL	BPP	Brown Patina Powder	NBP	Natural Brass Powder	WIR	Weathered Iron	
			Brushed	BRU <small>Inter-use only</small>	CAP	Clear Anodized Powder	OCP	Old Copper	<i>Also available in RAL Finishes See submittal SUB-1439-00</i>		

Lens Type _____
 12 - Soft Focus Lens 13 - Rectilinear Lens

Shielding _____
 11 - Honeycomb Baffle

LM79 DATA

BK No.	CCT (Typ.)	Input Watts (Typ.)	CRI
e70	2700K	3	80
e71	3000K	3	80
e72	4000K	3	80
e73	Amber (590nm)	3	~

L70 DATA

Minimum Rated Life (hrs.) 70% of initial lumens (L70)
50,000
50,000
50,000
50,000

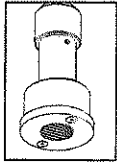
*OPTICAL DATA

Beam Type	Angle	CBCP	Visual Indicator
NSP-Narrow Spot	6°	1585	Red Indicator
SP-Spot	15°	781	Green Indicator
MFL-Medium Flood	25°	616	Yellow Indicator
ASY-Asymmetrical	6x25°	721	Purple Indicator

B-K LIGHTING	40429 Brickyard Drive • Madera, CA 93636 • USA 559.438.5800 • FAX 559.438.5900 www.bklighting.com • info@bklighting.com	RELEASED 01-29-16	DRAWING NUMBER SUB000935
---------------------	---	----------------------	-----------------------------

THIS DOCUMENT CONTAINS PROPRIETARY INFORMATION OF B-K LIGHTING, INC. AND ITS RECEIPT OR POSSESSION DOES NOT CONVEY ANY RIGHTS TO REPRODUCE, DISCLOSE ITS CONTENTS, OR TO MANUFACTURE, USE OR SELL ANYTHING IT MAY DESCRIBE. REPRODUCTION, DISCLOSURE OR USE WITHOUT SPECIFIC WRITTEN AUTHORIZATION OF B-K LIGHTING, INC. IS STRICTLY FORBIDDEN.

602 INDIA FIXTURE 'A'

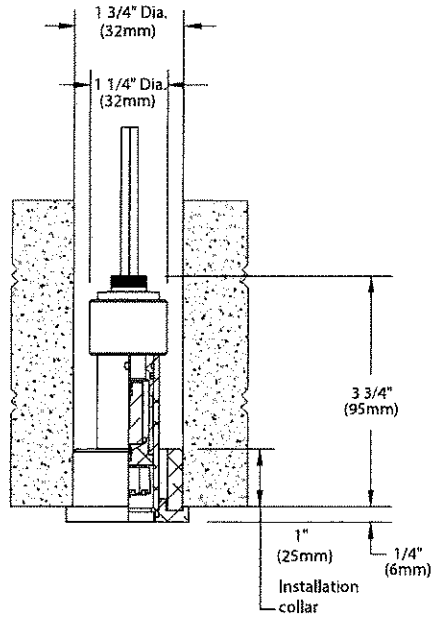


the power of

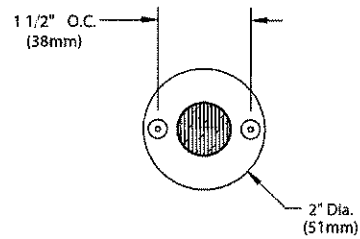
MINI-MICRO™ RECESSED DOWNLIGHT™

PROJECT:	
TYPE:	

SIDE VIEW

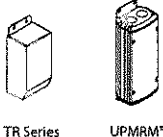


FACEPLATE DETAIL



Accessories (Configure separately)

Remote options:



All dimensions indicated on this submittal are nominal. Contact Technical Sales if you require more stringent specifications.

SPECIFICATIONS

GreenSource Initiative™

Metal and packaging components are made from recycled materials. Manufactured using renewable solar energy, produced on site. Returnable to manufacturer at end of life to ensure cradle-to-cradle handling. Packaging contains no chlorofluorocarbons (CFC's). Use of this product may qualify for GreenSource efficacy and recycling rebate(s). Consult www.bklighting.com/greensource for program requirements.

Materials

Furnished in Copper-Free Aluminum (Type 6061-T6), Brass (Type 360) or Stainless Steel (Type 304).

Body

Fully machined from solid billet. Unibody design provides enclosed, water-proof wireway and integral heat sink for maximum component life. High temperature, silicone 'O' Ring provides water-tight seal. Provided with hard-coat (Type III) black anodize finish for maximum corrosion resistance. Weather-tight cable connector with 5'0," 18Ga., 2 wire low voltage cable.

Faceplate

Fully machined from solid billet. Countersunk holes provide for flush hardware mounting (by others). Accommodates [1] lens or louver media.

Lens

Shock resistant, tempered, glass lens is factory adhered to faceplate and provides hermetically sealed optical compartment. Specify soft focus (#12) or rectilinear (#13) lens.

BKSSL®

Integrated solid state system with 'e' technology. High power, forward throw source complies with ANSI C78.377 binning requirements. Exceeds ENERGY STAR® lumen maintenance requirements. LM-80 certified components.

Integral non-dimming driver. Minimum 50,000 hour rated life at 70% of initial lumens (L70). BKSSL technology provides long life, significant energy reduction and exceptional thermal management.

Optics

OPTIKIT™ modules are color-coded for easy reference: Narrow Spot (NSP) = Red, Spot (SP) = Green. Medium Flood (MFL) = Yellow and Asymmetrical (ASY) = Purple.

Installation

Fixture provided with installation collar machined from solid, copper-free aluminum. Epoxy provided to facilitate fixture mounting directly into architecture eliminating the need for anchors. [2] threaded holes for faceplate installation. 1-3/4" dia. hole required for slip fit.

Remote Transformer

For use with 12VAC BKSSL remote transformer or magnetic transformers only. B-K Lighting cannot guarantee performance with third party manufacturers' transformers.

Wiring

Teflon® coated, 18AWG, 600V, 250° C rated and certified to UL 1659 standard. Anti-Siphon Valve (ASV™) prevents "wicking" through conductor insulation.

Hardware

Tamper-resistant, stainless steel hardware. Mounting hardware by others. Faceplate screws are additionally black oxide treated for additional corrosion resistance.

Finish

StarGuard®, our exclusive RoHS compliant, 15 stage chromate-free process cleans and conversion coats aluminum components prior to application of Class 'A' TGIC polyester powder coating. Brass components are available in powder coat or handcrafted metal finish. Stainless steel components are available in handcrafted metal finish. (Brushed finish for interior use only).

Warranty

5 year limited warranty.

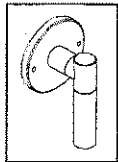
Certification and Listing

ITL tested to IESNA LM-79. UL Listed. Certified to CAN/CSA/ANSI Standards. RoHS compliant. Suitable for indoor or outdoor use. Suitable for installation in combustible materials (Type Non-IC). Suitable for use in wet locations. Suitable for installation within 4" of the ground. IP65 Rated. Made in USA.



*Teflon is a registered trademark of DuPont Corporation.
Energy Star is a registered trademark of the United States Environmental Protection Agency.

B-K LIGHTING	40429 Brickyard Drive • Madera, CA 93636 • USA 559.438.5800 • FAX 559.438.5900 www.bklighting.com • info@bklighting.com	RELEASED 01-29-16	DRAWING NUMBER SUB000935
	FIXTURE 'A'		

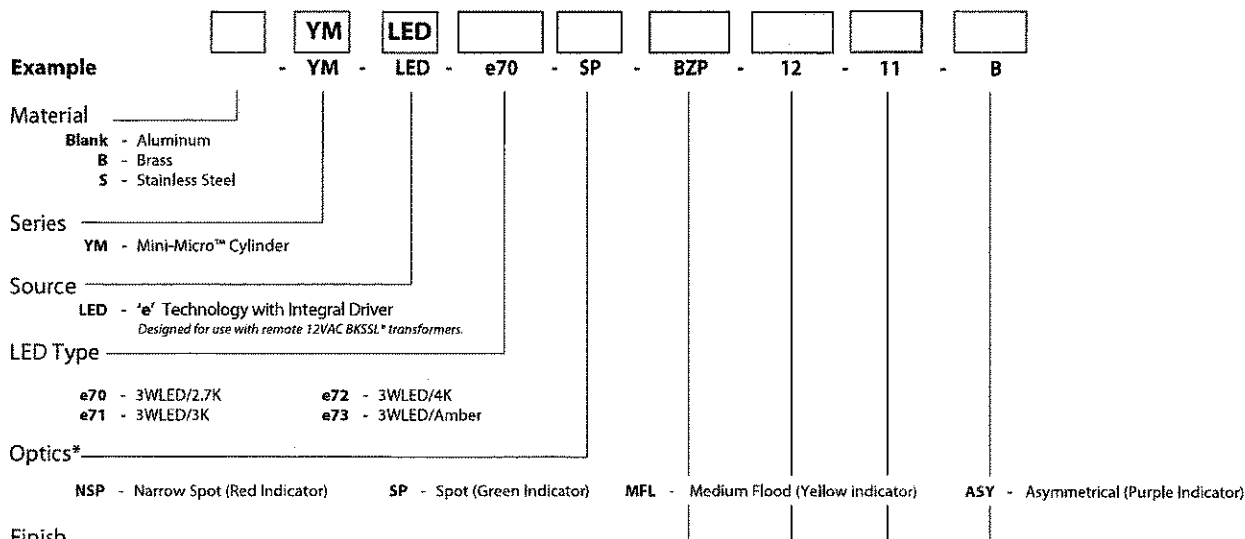


the power of

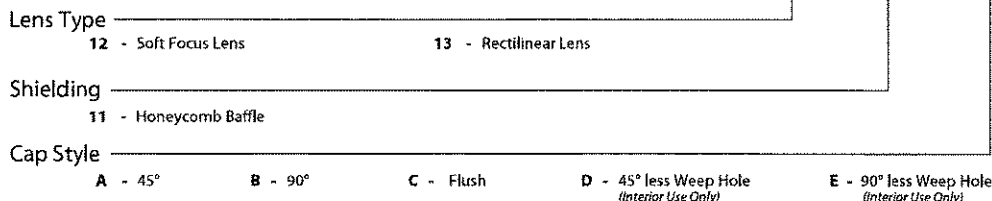
MINI-MICRO™ CYLINDER

PROJECT:	
TYPE:	
CATALOG NUMBER:	
SOURCE:	
NOTES:	

CATALOG NUMBER LOGIC



Aluminum Finish			Brass Finish		Premium Finish		
Powder Coat Color	Satin	Wrinkle	Machined	MAC	ABP	CMG	RMG
Bronze	BZP	BZW	Polished	POL	AMG	CRI	SDS
Black	BLP	BLW	Mitique™	MIT	AQW	CRM	SMG
White (Gloss)	WHP	WHW	Stainless Finish		BCM	HUG	TXF
Aluminum	SAP	—	Machined	MAC	BGE	MDS	WCP
Verde	—	VER	Polished	POL	BPP	NBP	WIR
			Brushed	BRU <small>Interior use only</small>	CAP	OCP	<i>Also available in RAL Finishes See submittal SUB-1439-00</i>



LM79 DATA

BK No.	CCT (Typ.)	Input Watts (Typ.)	CRI
e70	2700K	3	80
e71	3000K	3	80
e72	4000K	3	80
e73	Amber (590nm)	3	~

L70 DATA

Minimum Rated Life (hrs.) 70% of initial lumens (L70)
50,000
50,000
50,000
50,000

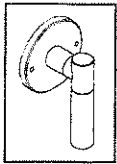
*OPTICAL DATA


Beam Type	Angle	CBCP	Visual Indicator
NSP-Narrow Spot	6°	1585	Red Indicator
SP-Spot	15°	781	Green Indicator
MFL-Medium Flood	25°	616	Yellow Indicator
ASY-Asymmetrical	6x25°	721	Purple Indicator

B-K LIGHTING	40429 Brickyard Drive • Madera, CA 93636 • USA 559.438.5800 • FAX 559.438.5900 www.bklighting.com • info@bklighting.com	RELEASED 01-29-16	DRAWING NUMBER SUB000965
---------------------	---	----------------------	-----------------------------

THIS DOCUMENT CONTAINS PROPRIETARY INFORMATION OF B-K LIGHTING, INC. AND ITS RECEIPT OR POSSESSION DOES NOT CONVEY ANY RIGHTS TO REPRODUCE, DISCLOSE ITS CONTENTS, OR TO MANUFACTURE, USE OR SELL ANYTHING IT MAY DESCRIBE. REPRODUCTION, DISCLOSURE OR USE WITHOUT SPECIFIC WRITTEN AUTHORIZATION OF B-K LIGHTING, INC. IS STRICTLY FORBIDDEN.

62 INDIA FIXTURE 'B'

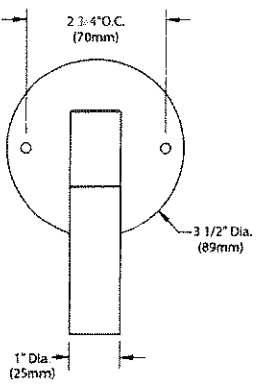


the power of 

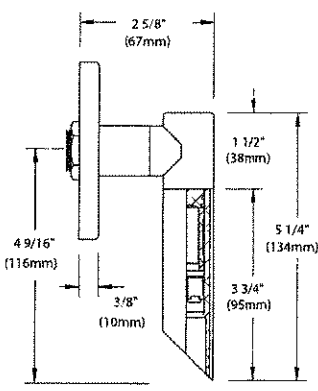
MINI-MICRO™ CYLINDER

PROJECT:	
TYPE:	

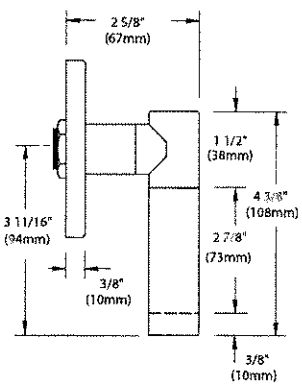
FRONT VIEW



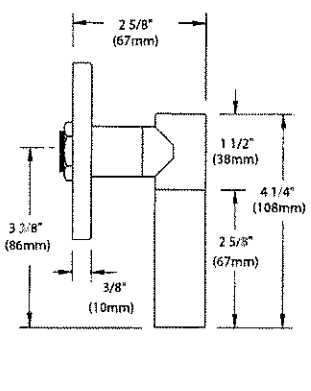
"A/D" CAP



"B/E" CAP



"C" CAP

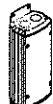


Accessories (Configure separately)

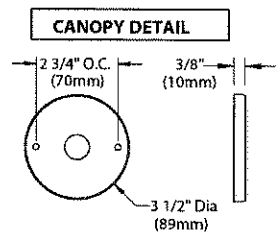
Remote options:



TR Series



UPARM™



All dimensions indicated on this submittal are nominal. Contact Technical Sales if you require more stringent specifications.

SPECIFICATIONS

GreenSource Initiative™

Metal and packaging components are made from recycled materials. Manufactured using renewable solar energy, produced on site. Returnable to manufacturer at end of life to ensure cradle-to-cradle handling. Packaging contains no chlorofluorocarbons (CFC's). Use of this product may qualify for GreenSource efficacy and recycling rebate(s). Consult www.bklighting.com/greensource for program requirements.

Materials

Furnished in Copper-Free Aluminum (Type 6061-T6), Brass (Type 360) or Stainless Steel (Type 316).

Body

Fully machined from solid billet. Unibody design provides enclosed, water-proof wireway and integral heat sink for maximum component life. High temperature, silicone 'O' Ring provides water-tight seal.

Cap

Fully machined. Accommodates [1] lens or louver media. Choose from 45° cutoff ('A' or 'D'), 3/8" deep bezel with 90° cutoff ('B' or 'E'), or flush lens ('C') cap styles. 'A' and 'B' caps include weep-hole for water and debris drainage. 'D' and 'E' caps exclude weep-hole and are for interior use only.

Lens

Shock resistant, tempered, glass lens is factory adhered to fixture cap and provides hermetically sealed optical compartment. Specify soft focus (#12) or rectilinear (#13) lens.

BKSSL®

Integrated solid state system with 'e' technology. High power, forward throw source complies with ANSI C78.377 binning requirements. Exceeds ENERGY STAR® lumen maintenance requirements. LM-80 certified components.

Integral non-dimming driver. Minimum 50,000 hour rated life at 70% of initial lumens (L70). BKSSL technology provides long life, significant energy reduction and exceptional thermal management.

Optics

OPTIKIT™ modules are color-coded for easy reference: Narrow Spot (NSP) = Red, Spot (SP) = Green, Medium Flood (MFL) = Yellow and Asymmetrical (ASY) = Purple.

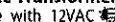
Installation

3-1/2" dia., machined canopy permits mounting to 3" octagonal junction box or 4" junction box with mud ring (by others). Suitable for upright or downlight installation.

Wiring

Teflon® coated, 18AWG, 600V, 250° C rated and certified to UL 1659 standard.

Remote Transformer

For use with 12VAC  remote transformer or magnetic transformers only. B-K Lighting cannot guarantee performance with third party manufacturers' transformers.

Hardware

Tamper-resistant, stainless steel hardware. Canopy mounting screws are additionally black oxide treated for additional corrosion resistance.

Finish

StarGuard®, our exclusive RoHS compliant, 15 stage chromate-free process cleans and conversion coats aluminum components prior to application of Class 'A' TGIC polyester powder coating. Brass components are available in powder coat or handcrafted metal finish. Stainless steel components are available in handcrafted metal finish. (Brushed finish for interior use only).

Warranty

5 year limited warranty.

Certification and Listing

ITL tested to IESNA LM-79. UL Listed. Certified to CAN/CSA/ANSI Standards. RoHS compliant. Suitable for indoor or outdoor use. Suitable for use in wet locations. IP66 Rated. Made in USA.



*Teflon is a registered trademark of DuPont Corporation.
*Energy Star is a registered trademark of the United States Environmental Protection Agency.

B-K LIGHTING

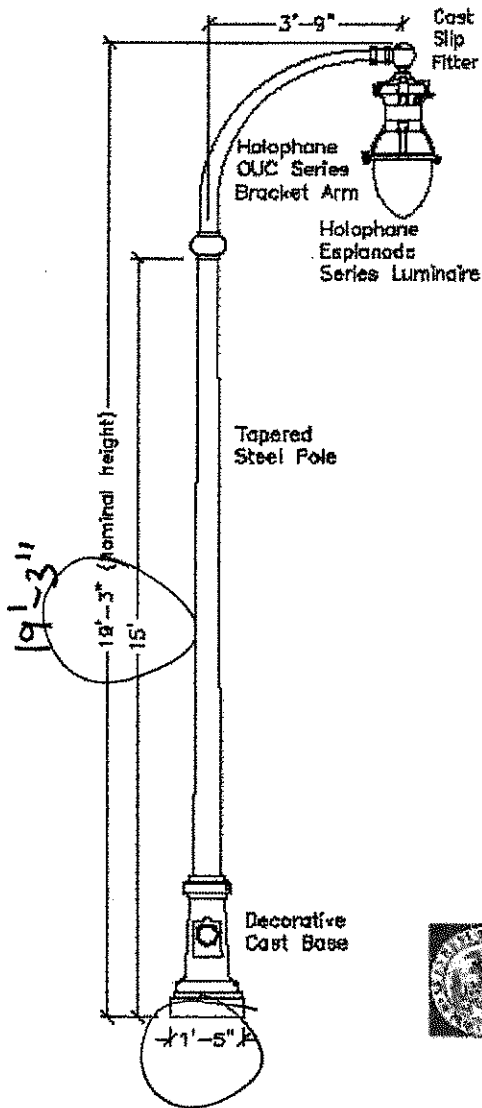
40429 Brickyard Drive • Madera, CA 93636 • USA
559.438.5800 • FAX 559.438.5900
www.bklighting.com • info@bklighting.com

RELEASED
01-29-16

DRAWING NUMBER
SUB000965

FIXTURE B

(3) fixtures on
Newbury St.



LUMINAIRE

Holophane Lighting model ESU175MH12A4-R
Luminaire shall be furnished and installed by The Central Maine Power Company under the municipal lease agreement for street lighting.
Luminaire shall be manufacturer's standard black color.

LAMP

Holophane Lighting model S-M175/U 64471
Vertical mounted, 175 watt mogul base clear metal halide lamp.

BRACKET ARM

Holophane Lighting model OUC 6063-TB
Aluminum crossarm with a post-top fitting for a 3-1/2" by 6" tenon.
Bracket arm shall be manufacturer's standard black color.

SLIP FITTER

Holophane Lighting model BHLF200-SCA/AS (Boston Harbor Series)
2-3/8" O.D. with swivel cast fitter.
Slip fitter shall be manufacturer's standard black color.

LIGHTING POLE

Tapered steel pole shaft rated for a 90mph wind load with a 1.3 gust factor. Provide four hot-dipped galvanized steel L-type anchor bolts.
Lighting pole shall be manufacturer's standard black color.

DECORATIVE POLE BASE

Holophane Lighting model Cambridge Series
Decorative clamshell cast aluminum base.
Hardware shall be stainless steel.
Decorative pole base shall be manufacturer's standard black color.

APPLICATION

Street/Sidewalk lighting for two-way streets with parking on one side, or one-way streets.
Suggested layout:
80-100 ft on center (one side only)
150-200 ft on center (staggered pattern both sides)

City of Portland, Maine

Street & Sidewalk Lighting
WATERFRONT COMMERCIAL DISTRICT
Medium Scale Lighting Pole


02/05/07



DATE: AUGUST 2009	CITY OF PORTLAND, MAINE TECHNICAL STANDARDS MANUAL	MUNICIPAL STREET LIGHTING STANDARDS SECTION X	FIGURE:
REVISED:	EASTERN WATERFRONT DISTRICT MEDIUM SCALE LIGHTING POLE		X-5C

62 INDIA FIXTURE C'

62 INDA FIXTURE D (GARAGE)

ENDURA SERIES SURFACE/CEILING/GARAGE	Cat.#	Type	
	Job		

SPECIFICATIONS

Intended Use:

The Endura is a ceiling surface mounted or pendant mounted parking structure luminaire with a field replaceable LED light-engine & optical bezel system. Internal components are totally enclosed in a rain-tight and corrosion-resistant die cast aluminum housing. The Endura Luminaire is CSA listed and suitable for damp locations (wet location available on request).

Construction:

- Die cast aluminum two-piece housing
- Shape of the top housing is designed as a bird nesting deterrent
- Die cast main (thermal) housing provides direct-heat exchange between the LED light engine and the cool outdoor air by drawing heat through integral heat channels and out to the sculptured and functional luminaire surface.
- LED drivers are thermally isolated from the main housing, mechanically attached and heat-sunk to the top housing.
- Main housing is designed with heat dissipating fins for LED thermal management without the use of metallic screens, cages, or fans
- Main and top housings are designed to hinge open for easy mounting and easy access

LED/Optics:

- Endura luminaire is supplied with an Optical one piece cartridge system consisting of an LED engine, LED lamps, optics, gasket and stainless steel bezel
- Cartridge is held together with internal brass standoffs soldered to the board so that it can be field replaced as a one piece optical system.
- Two-piece silicone and polycarbonate foam gasket ensures a weather-proof seal around each individual LED and allows the Endura luminaire to be rated for high-pressure hose down applications.
- Optical cartridge is secured to the extruded housing with fasteners and a heat pad to ensure thermal conductivity. The optics are held in place without the use of adhesives and the complete assemble is gasketed for high pressure hose down cleaning.
- Cartridge assembly is available in various lighting distributions using TIR designed Acrylic optical lenses over each LED.

Electrical:

- 120V through 277V, 50 Hz to 60 Hz.
- Endura comes standard with 70 CRI.
- Power factor is min 0.92 at full load.
- All electrical components are rated at 50,000 hours at full load and 40°C ambient conditions per MIL-217F Notice 2 .
- Optional 0 to 10 volt dimming drivers are available upon request.
- Component-to-component wiring within the luminaire may carry no more than 80% of rated load and is listed by UL for use at 600VAC at 50°C or higher.
- Plug disconnects are listed by UL for use at 600 VAC, 15A or higher. 15A rating applies to primary (AC) side only.

Controls/Options:

- Endura is available with an optional passive infrared (PIR) motion sensor capable of detecting motion 360° around the luminaire. When no motion is detected for the specified time, the Motion Response system reduces the wattage down to a factory preset level, reducing light level accordingly. When motion is detected, the luminaire returns to full wattage and full light output. Please contact Beacon Products if project requirements vary from the standard configurations.
- Available with Energeni for optional set dimming with simple delay, or timed dimming based on hours of operation or time of night (see Energeni product page for more details www.beaconproducts.com/products/energeni)
- Also available with **Beaconconnect** Wireless Control System (see **Beaconconnect** product page for more details www.beaconproducts.com/products/beaconconnect).

Installation:

- Top housing is designed with various bolt patterns for mounting to a recessed, surface or rigid-pendant hung 4" junction box and rigid stem provided by others)
- After mounting the top housing to the junction box, the main housing is designed to hang and hinge closed after connecting the male and female quick connectors
- Mounting design permits a simple retrofit to existing parking structure luminaires that utilize surface mount or recessed junction boxes

Finish:

- Beacote V polyester powder-coat electrostatically applied and thermocured.
- Beacote V finish consists of a five stage iron phosphate chemical pretreatment regimen with a polymer primer sealer, oven-dry off, and top coated with a thermoset super TGIC polyester powder coat finish.
- The finish meets the AAMA 605.2 performance specification which includes passing a 3000 hour salt spray test for corrosion resistance and resists cracking or loss of adhesion per ASTM D522 and resists surface impacts of up to 160 inch-pounds.

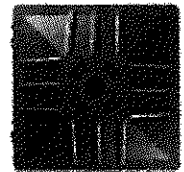
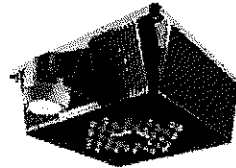
Listings:

The luminaire shall bear a CSA label and be marked suitable for damp locations (standard). Luminaire may be specified for wet locations.

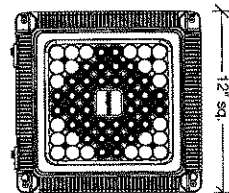
Warranty:

Five year limited warranty (for more information visit: <http://www.hubbellighting.com/resources/warranty>).

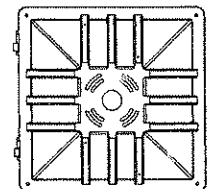
PRODUCT IMAGE(S)



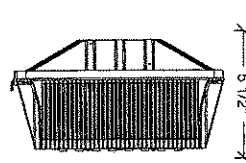
DIMENSIONS



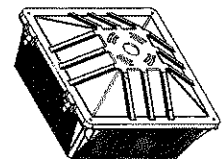
Bottom



Top

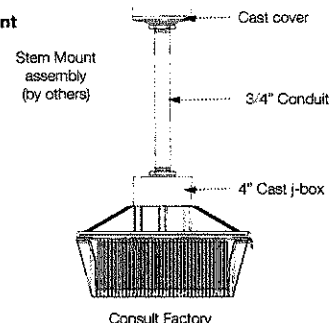


Side



Isometric

Ceiling Mount



CERTIFICATIONS/LISTINGS

