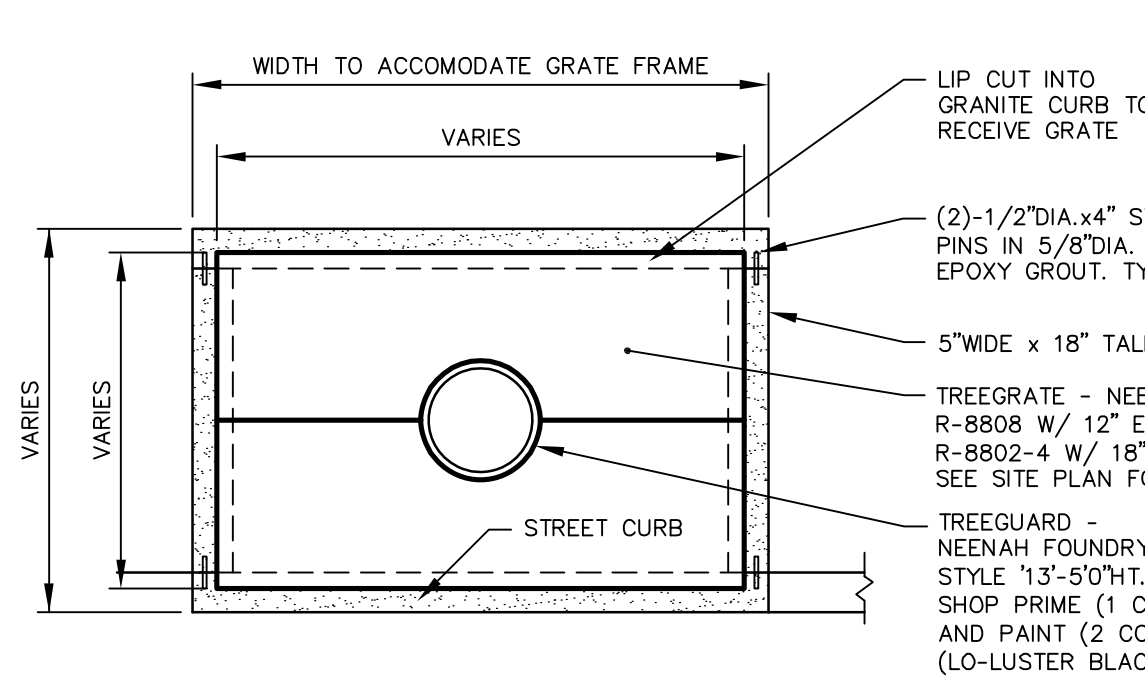
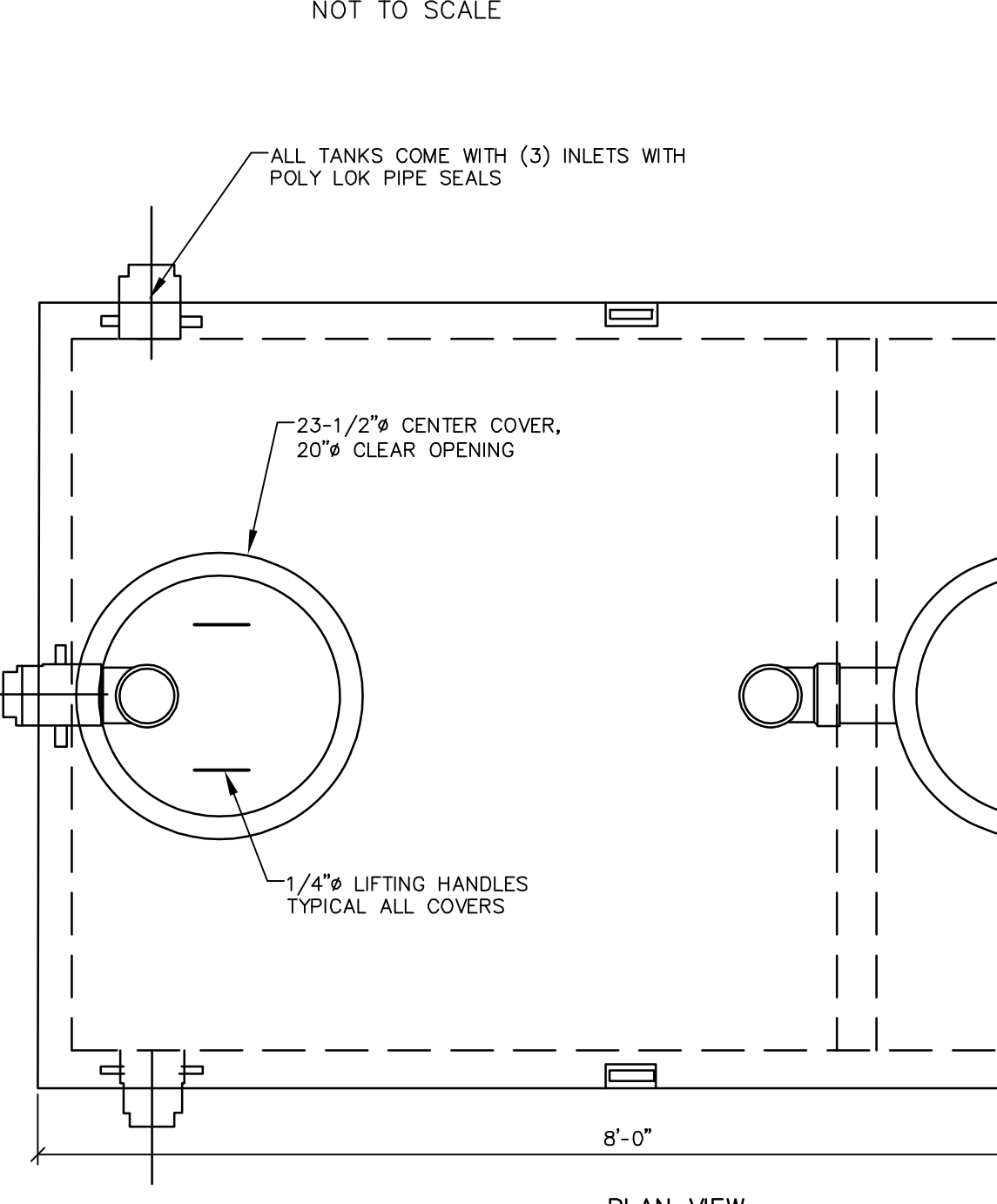


- NOTES:**
- CONTRACTOR SHALL SUBMIT SHOP DRAWING FOR APPROVAL BY ENGINEER.
 - CONCRETE SHALL BE 4,000 P.S.I. AFTER 28 DAYS.
 - CIRCUMFERENTIAL REINFORCEMENT SHALL BE 0.12 SQ. IN PER LINEAR FT. IN ALL SECTION AND SHALL BE PLACED IN THE CENTER THIRD OF THE WALL.
 - THE TONGUE OF THE GROOVE OF THE JOINT SHALL CONTAIN ONE LINE OF CIRCUMFERENTIAL REINFORCEMENT EQUAL TO 0.12 SQ. IN PER LINEAR FT.
 - EACH PRECAST SECTION TO HAVE LIFTING HOLES CAST IN.
 - COORDINATE CONNECTION WITH PORTLAND WATER DISTRICT DISTRICT MINIMUM 7 DAYS PRIOR TO WORK.

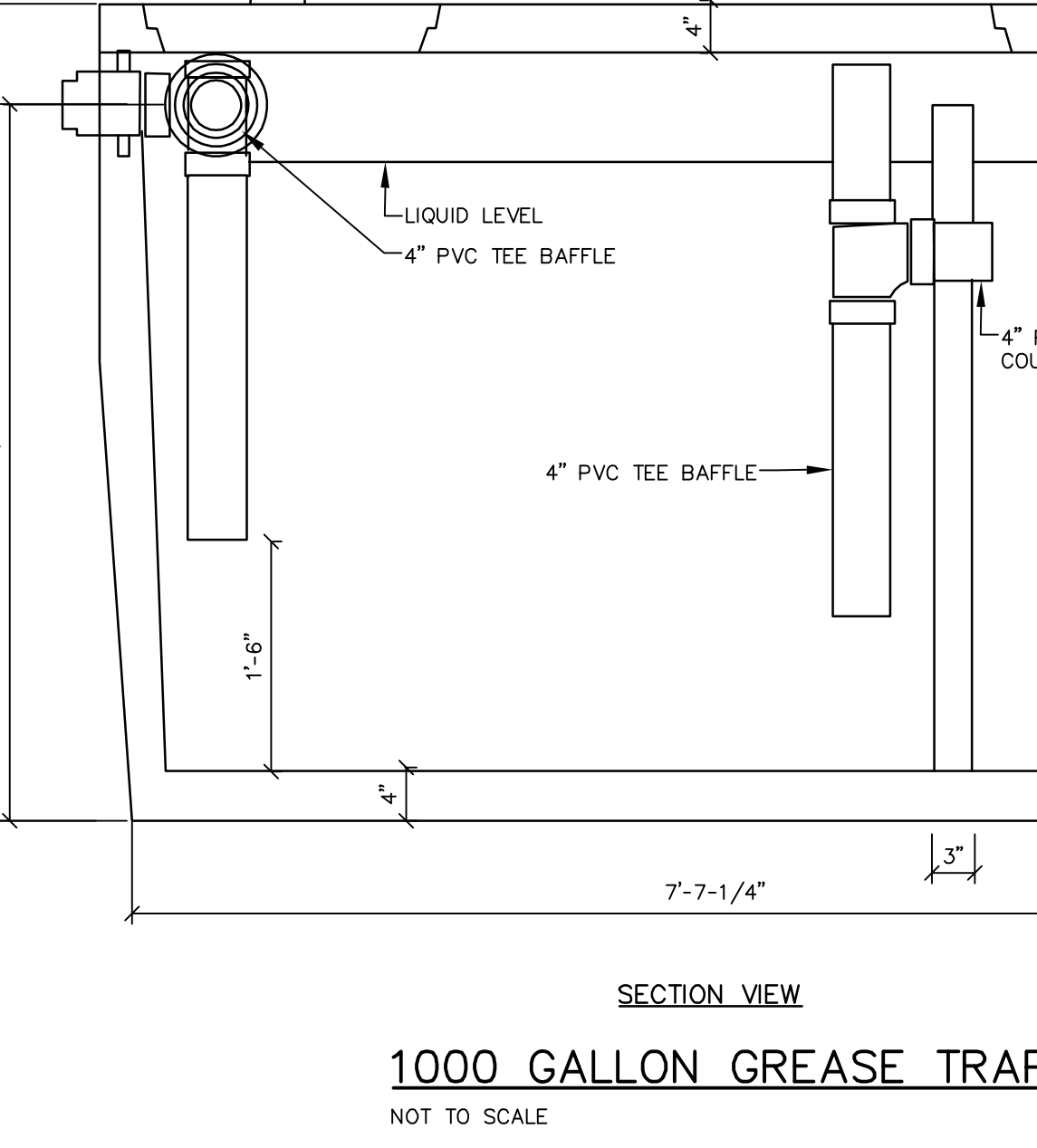
SEWER MANHOLE DOGHOUSE STRUCTURE
NOT TO SCALE



TREE GRATE DETAIL
NOT TO SCALE



1000 GALLON GREASE TRAP
NOT TO SCALE



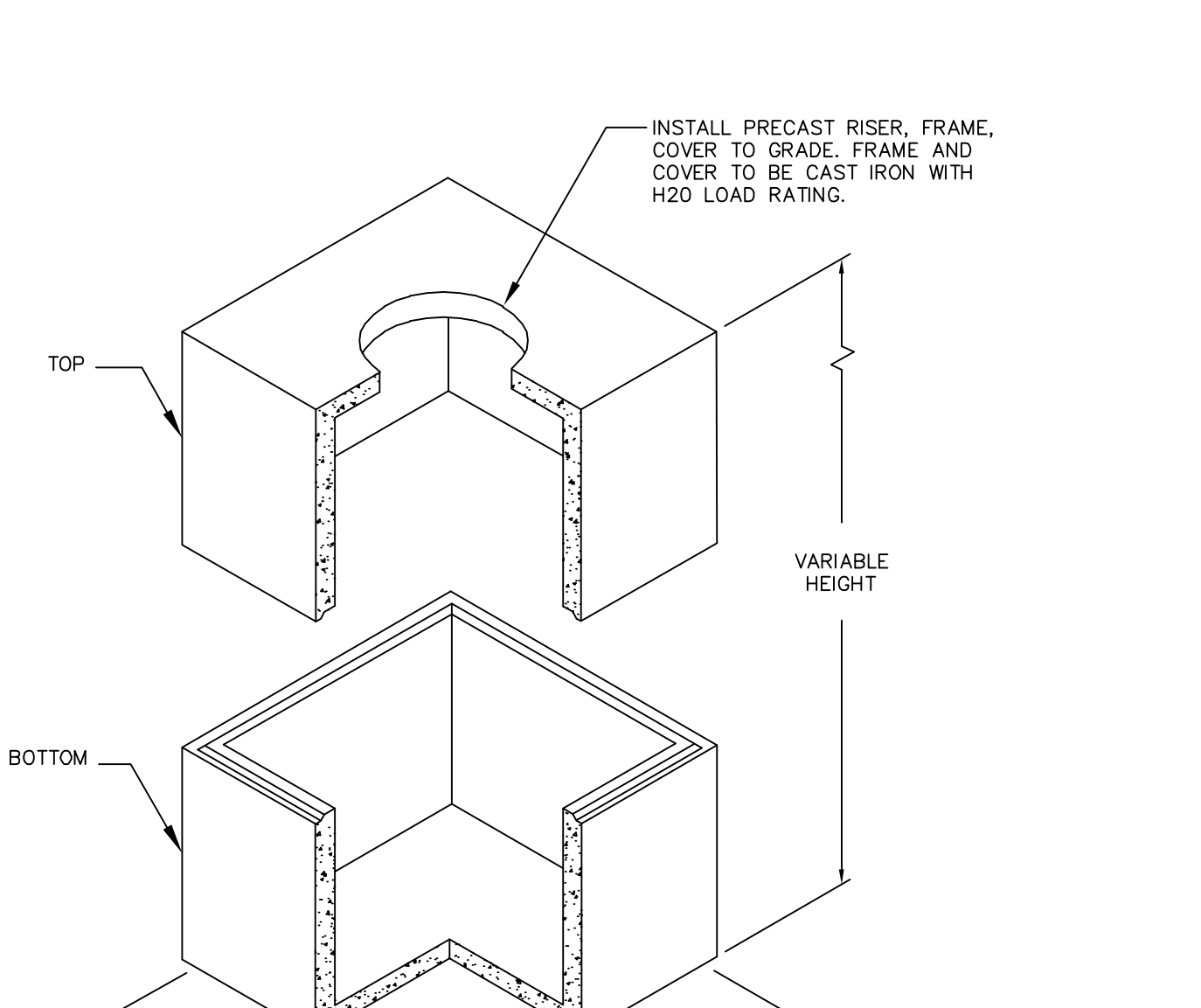
DECIDUOUS TREES
2" TO 4" CALIPER
NOT TO SCALE

CONCRETE SPECIFICATIONS:

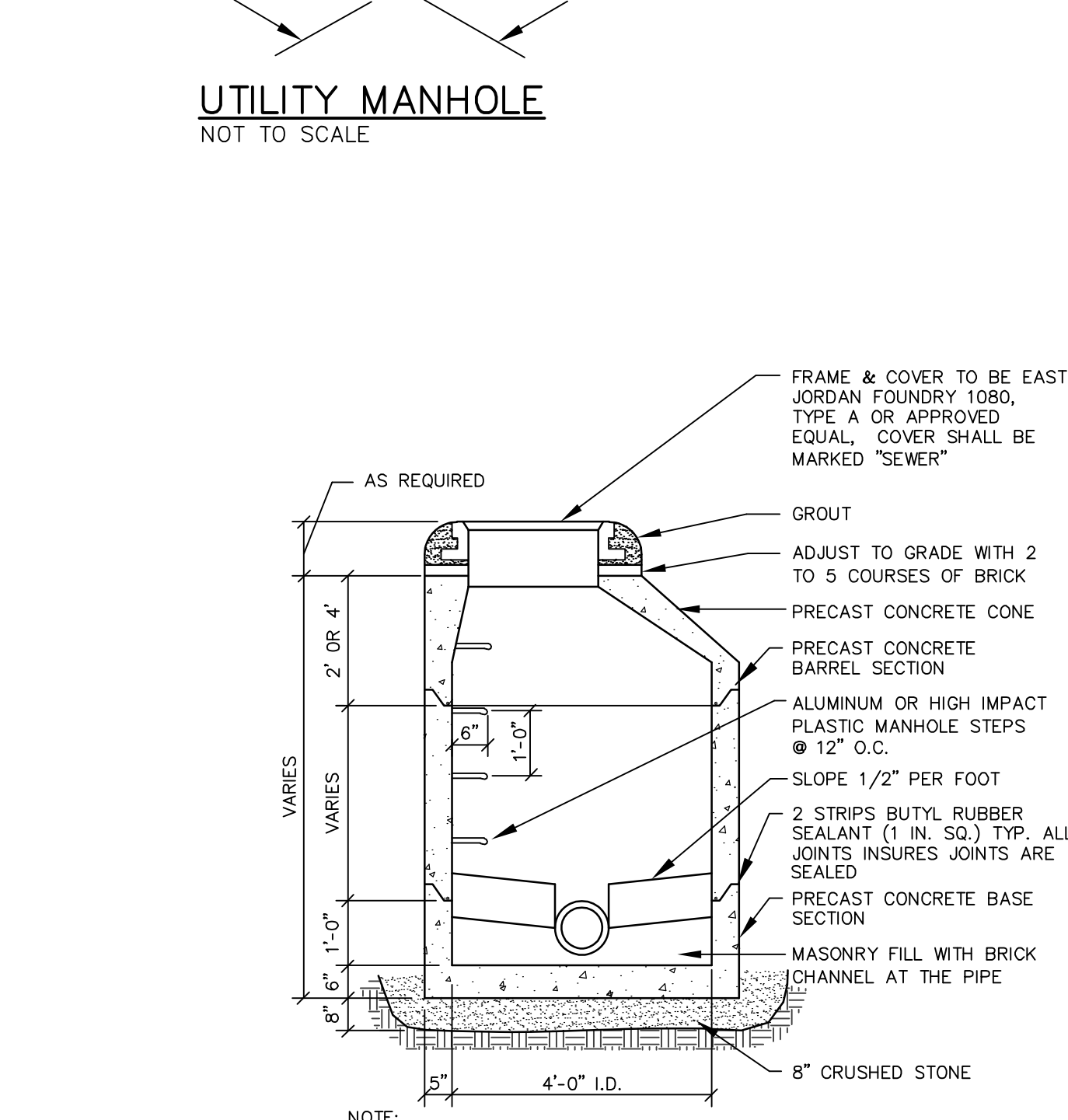
- 4,000 PSI @ 28 DAYS
- 4% MIN. EXTRA DRY AIR
- TANK PENETRATIONS ARE INTEGRALLY CAST
- ALL JOINTS SEALED WITH BUTYL RUBBER JOINT SEALANT

GREASE TRAP INFORMATION:

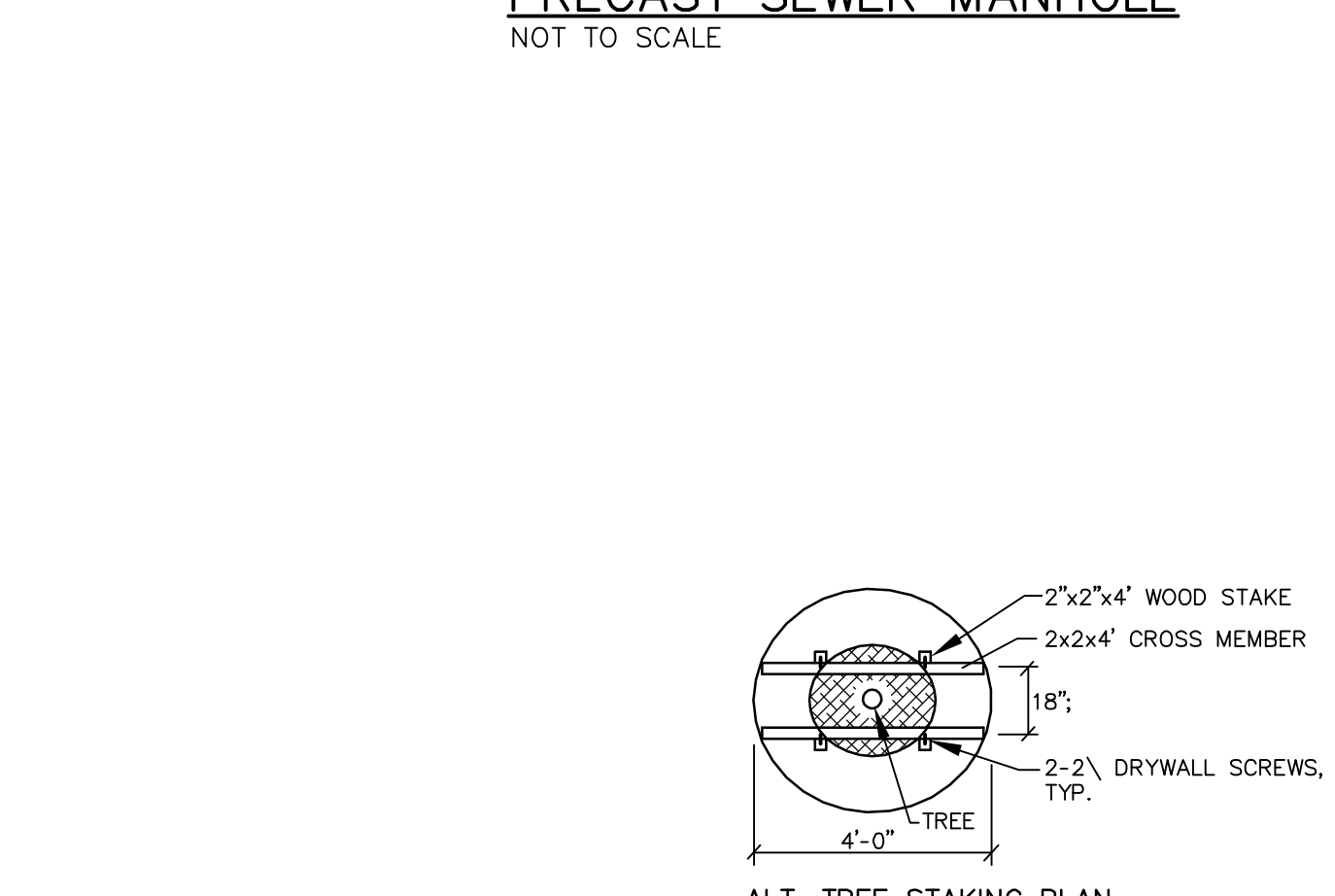
- TANKS SHOULD BE PUMPED AS NEEDED
- ACCESS COVERS SHOULD HAVE RISERS TO BEING COVER ACCESS TO GRADE
- TANKS CAN BE VACUUM TESTED AT AN ADDITIONAL COST



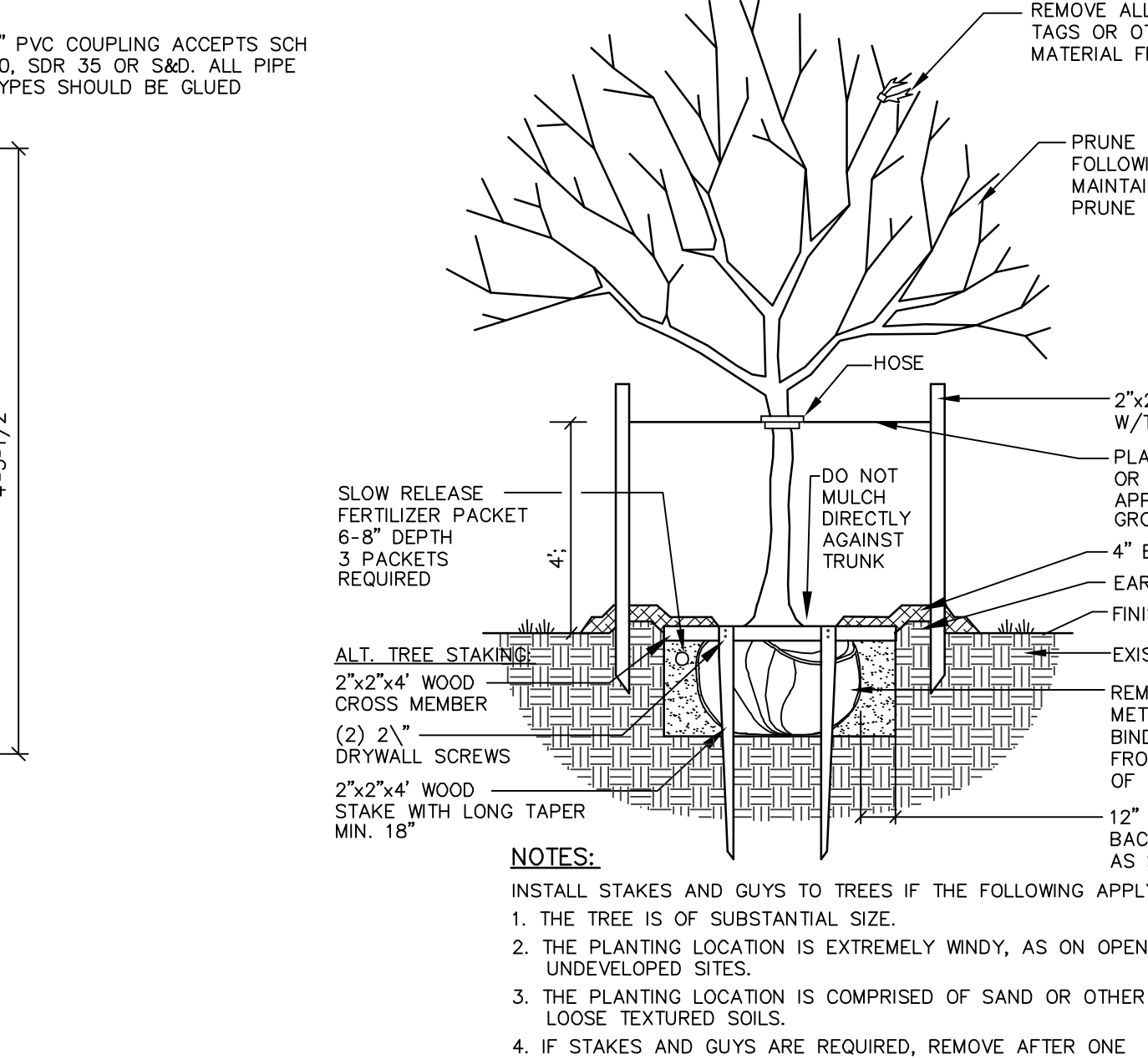
UTILITY MANHOLE
NOT TO SCALE



PRECAST SEWER MANHOLE
NOT TO SCALE



OIL / GRIT SEPARATOR
NOT TO SCALE



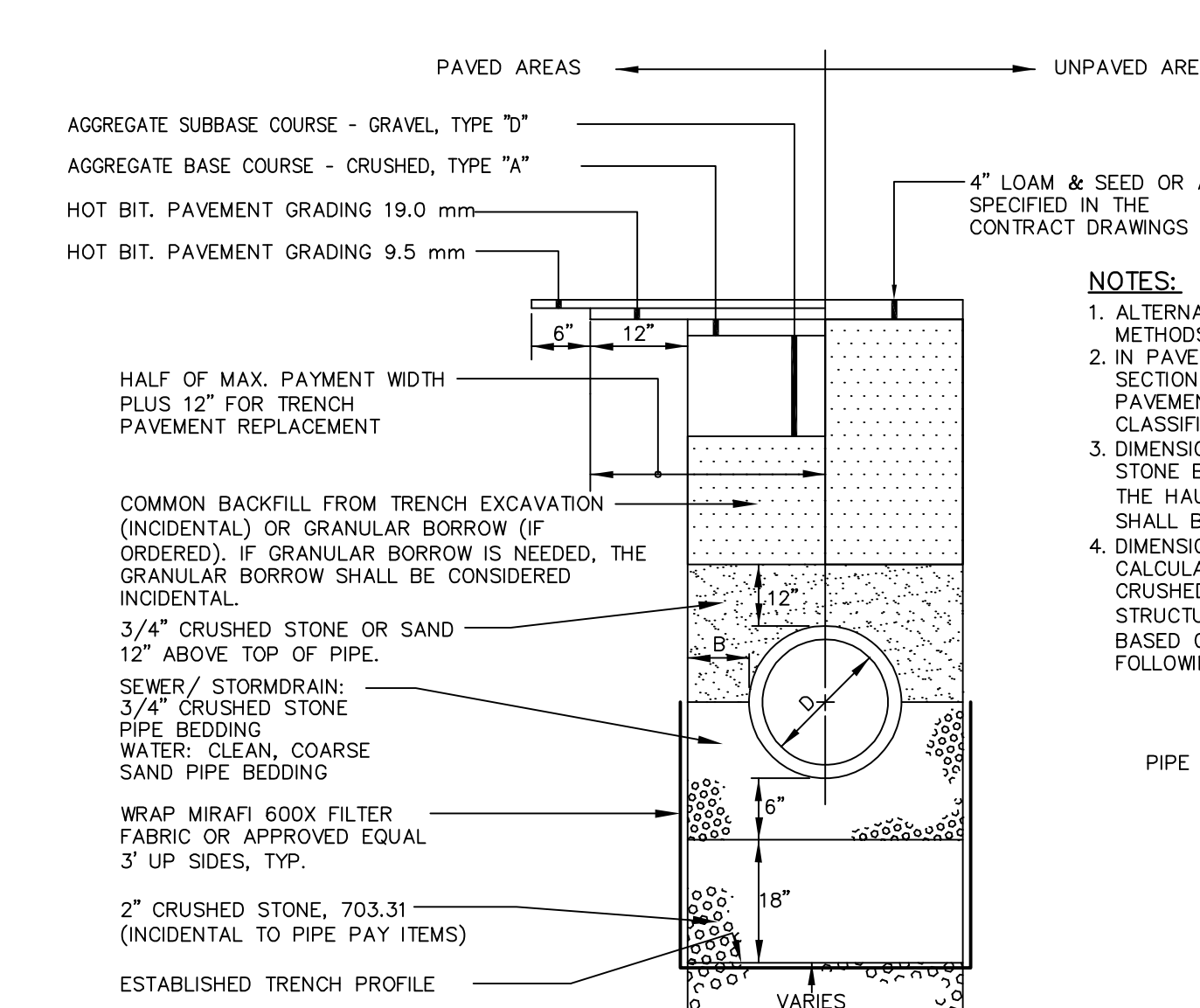
DECIDUOUS TREES
2" TO 4" CALIPER
NOT TO SCALE

CONCRETE SPECIFICATIONS:

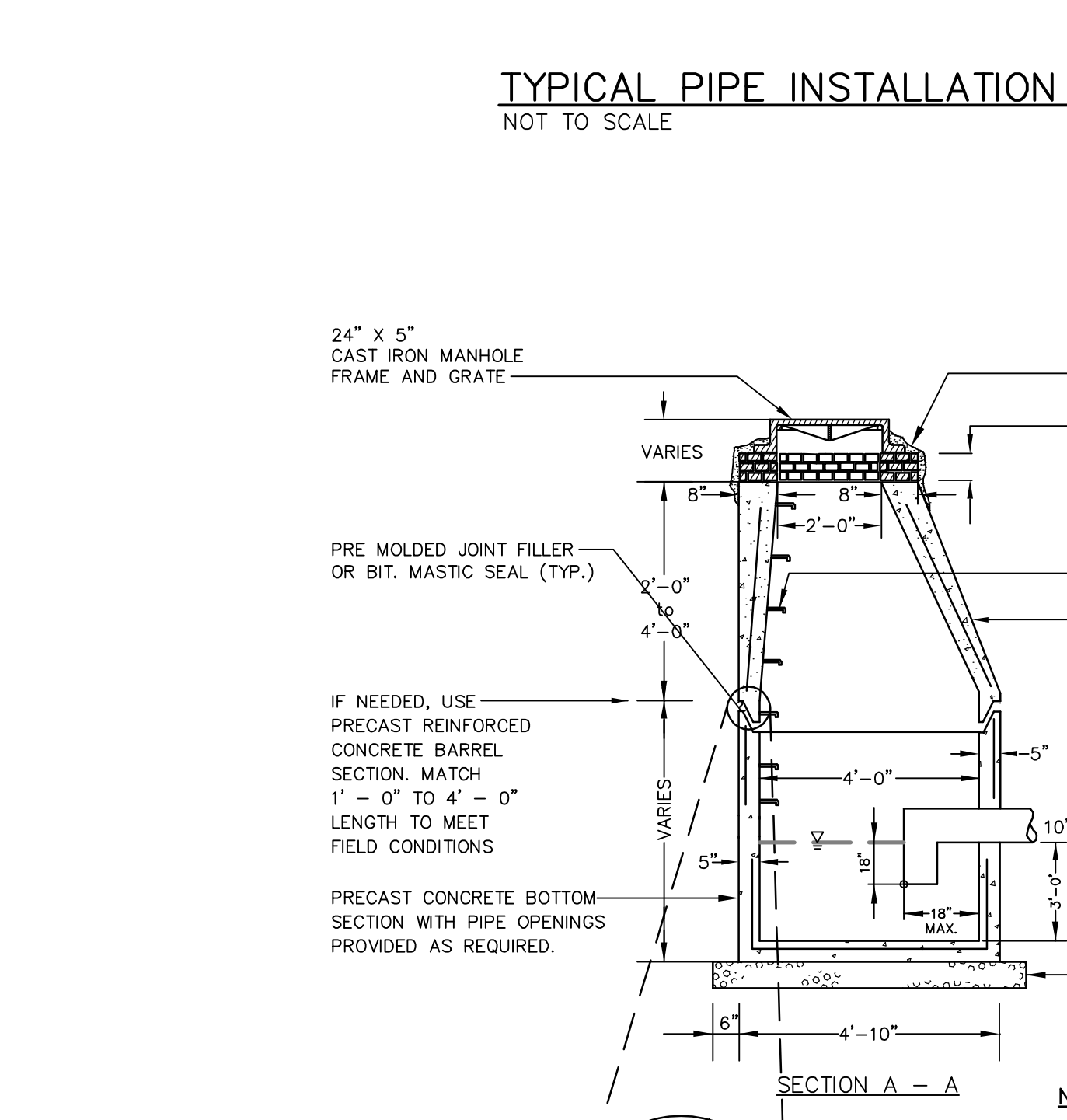
- 4,000 PSI @ 28 DAYS
- 4% MIN. EXTRA DRY AIR
- TANK PENETRATIONS ARE INTEGRALLY CAST
- ALL JOINTS SEALED WITH BUTYL RUBBER JOINT SEALANT

GREASE TRAP INFORMATION:

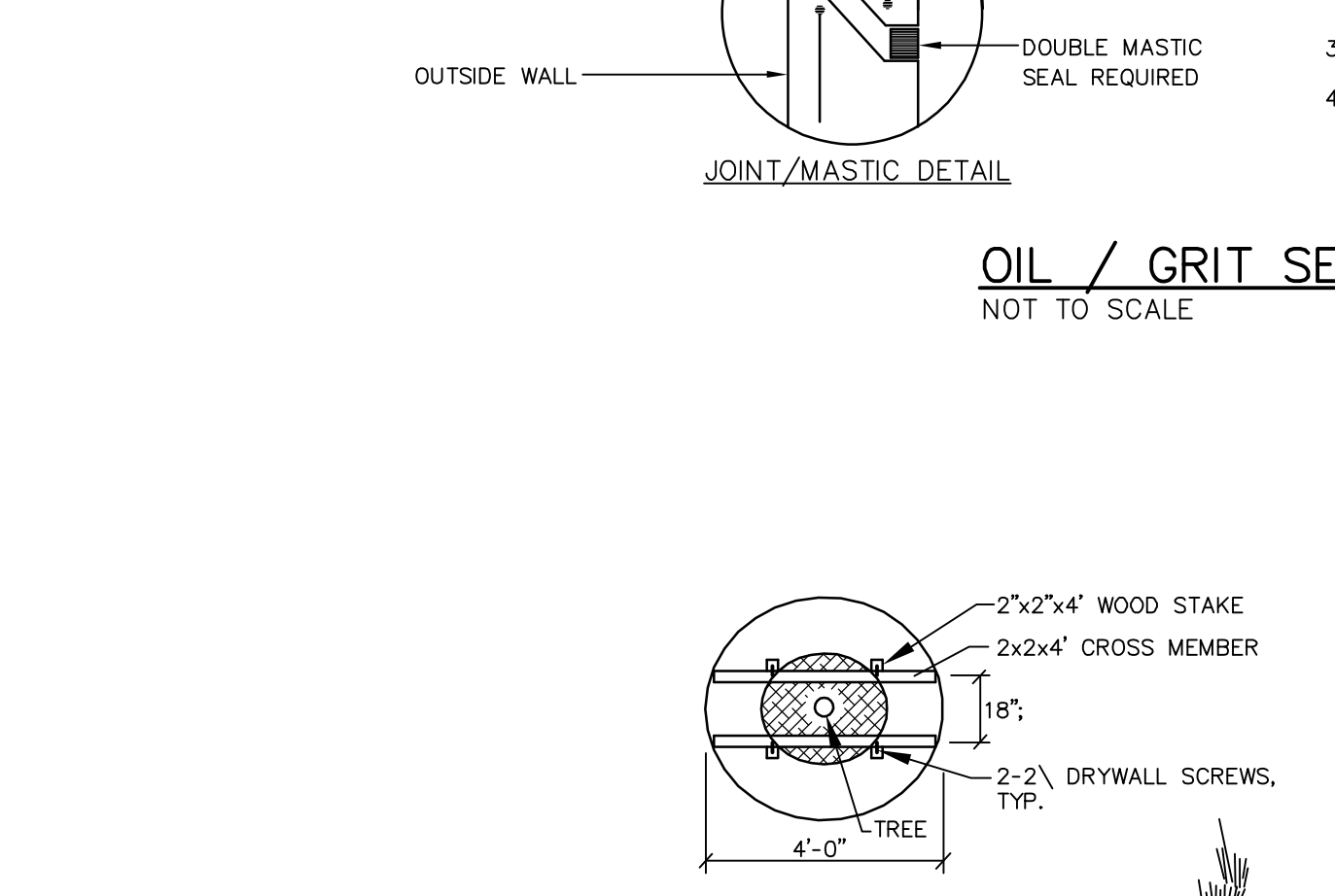
- TANKS SHOULD BE PUMPED AS NEEDED
- ACCESS COVERS SHOULD HAVE RISERS TO BEING COVER ACCESS TO GRADE
- TANKS CAN BE VACUUM TESTED AT AN ADDITIONAL COST



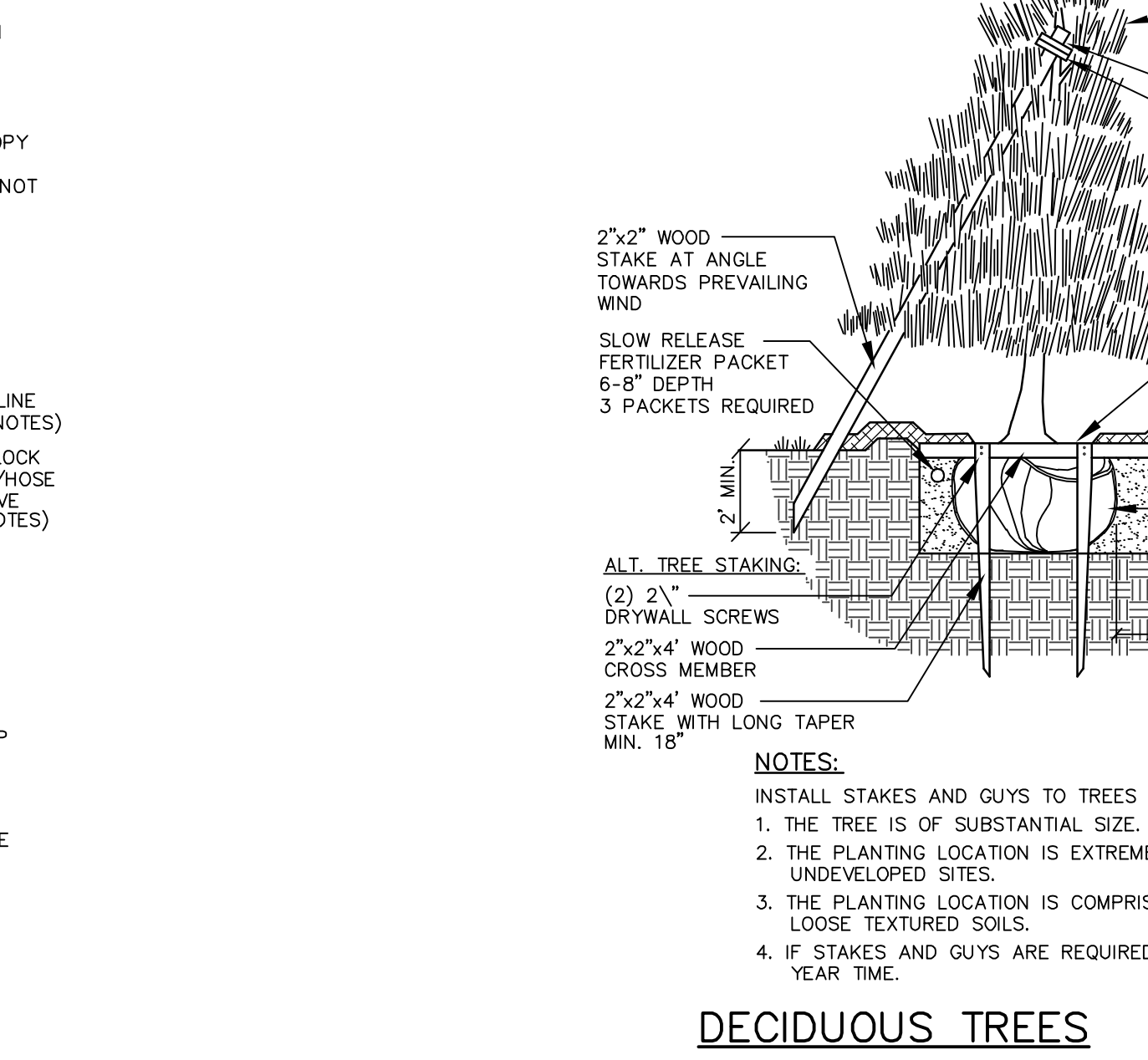
TYPICAL PIPE INSTALLATION DETAIL
NOT TO SCALE



PRECAST SEWER MANHOLE
NOT TO SCALE



OIL / GRIT SEPARATOR
NOT TO SCALE



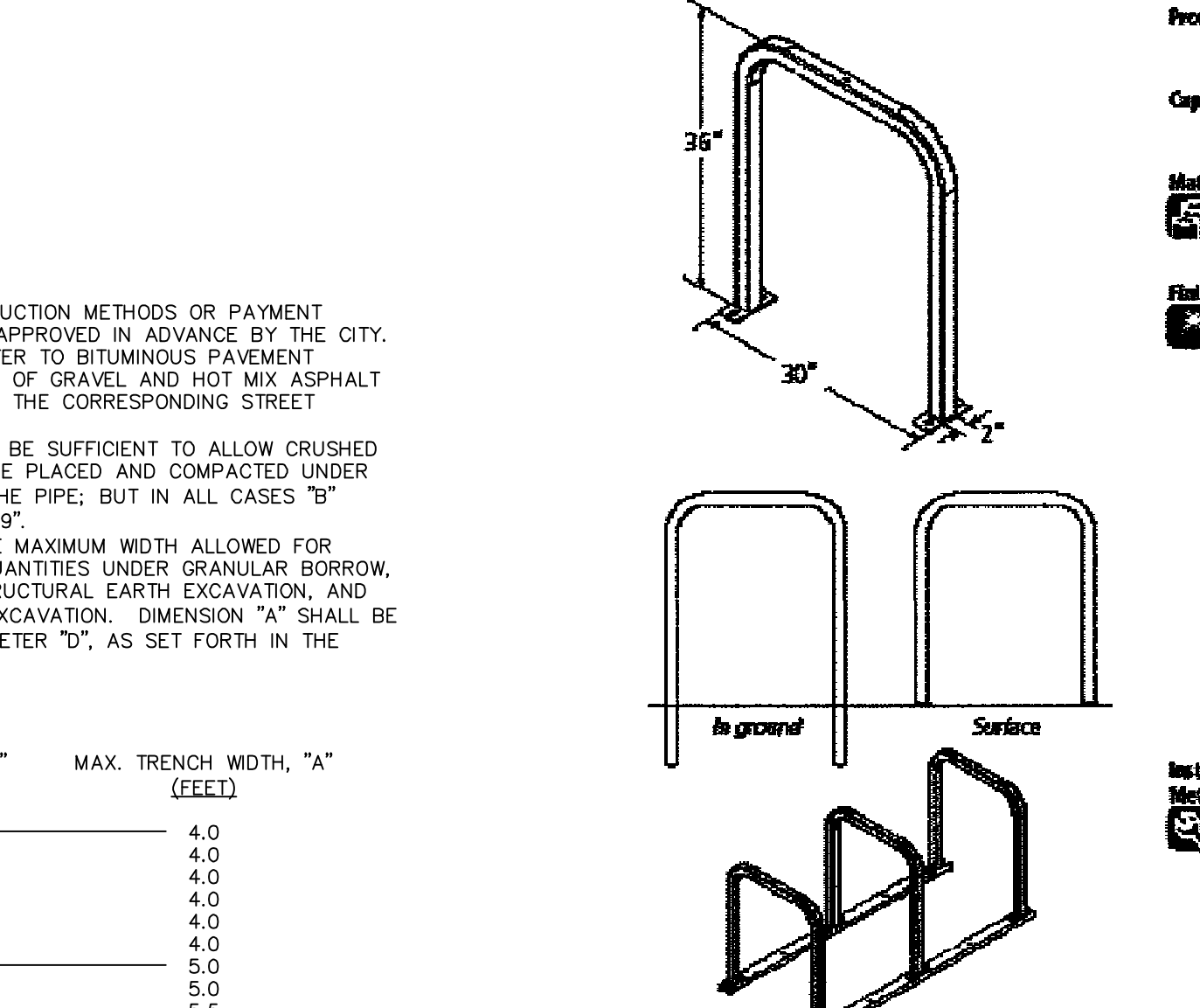
DECIDUOUS TREES
2" TO 4" CALIPER
NOT TO SCALE

CONCRETE SPECIFICATIONS:

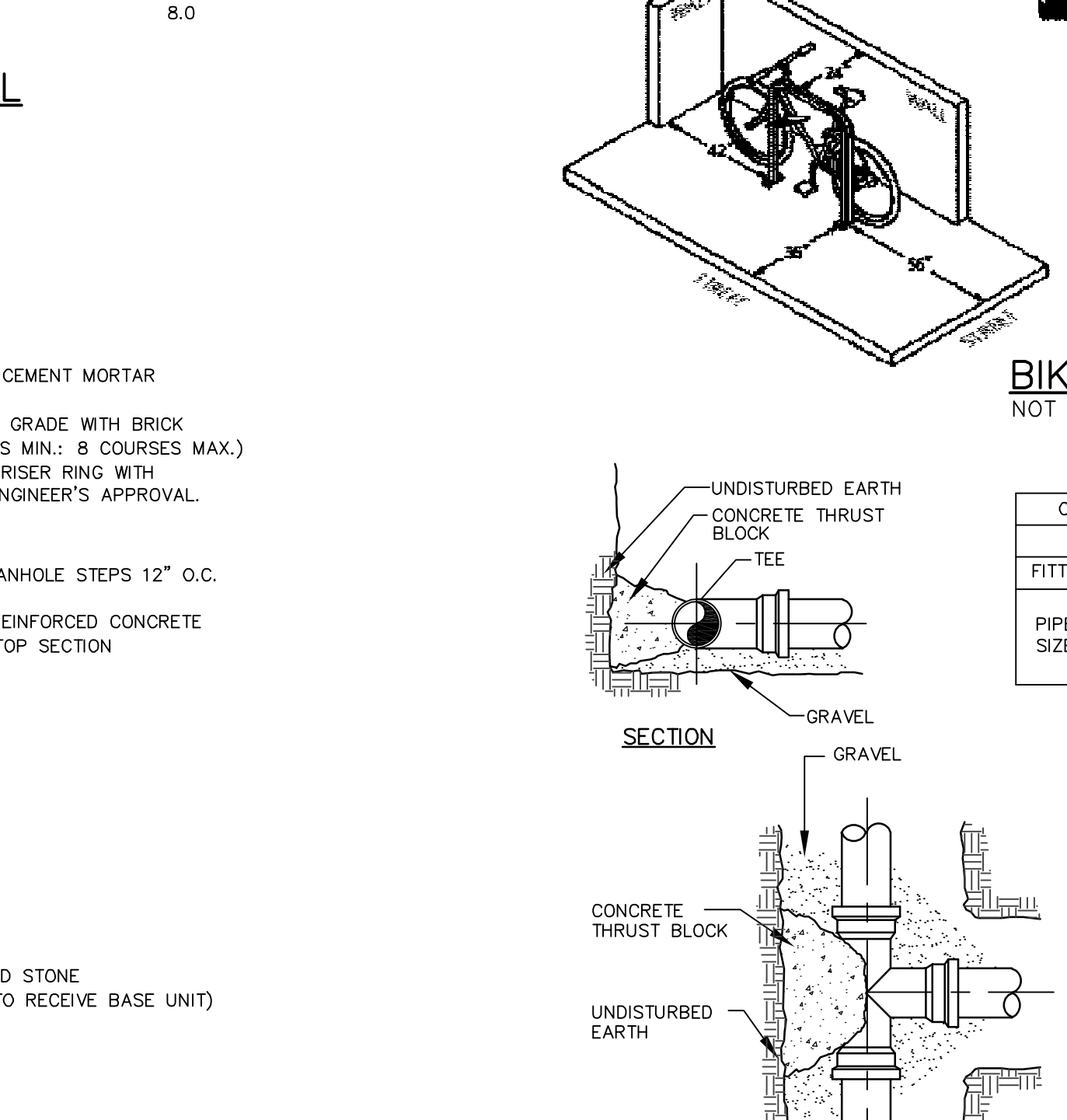
- 4,000 PSI @ 28 DAYS
- 4% MIN. EXTRA DRY AIR
- TANK PENETRATIONS ARE INTEGRALLY CAST
- ALL JOINTS SEALED WITH BUTYL RUBBER JOINT SEALANT

GREASE TRAP INFORMATION:

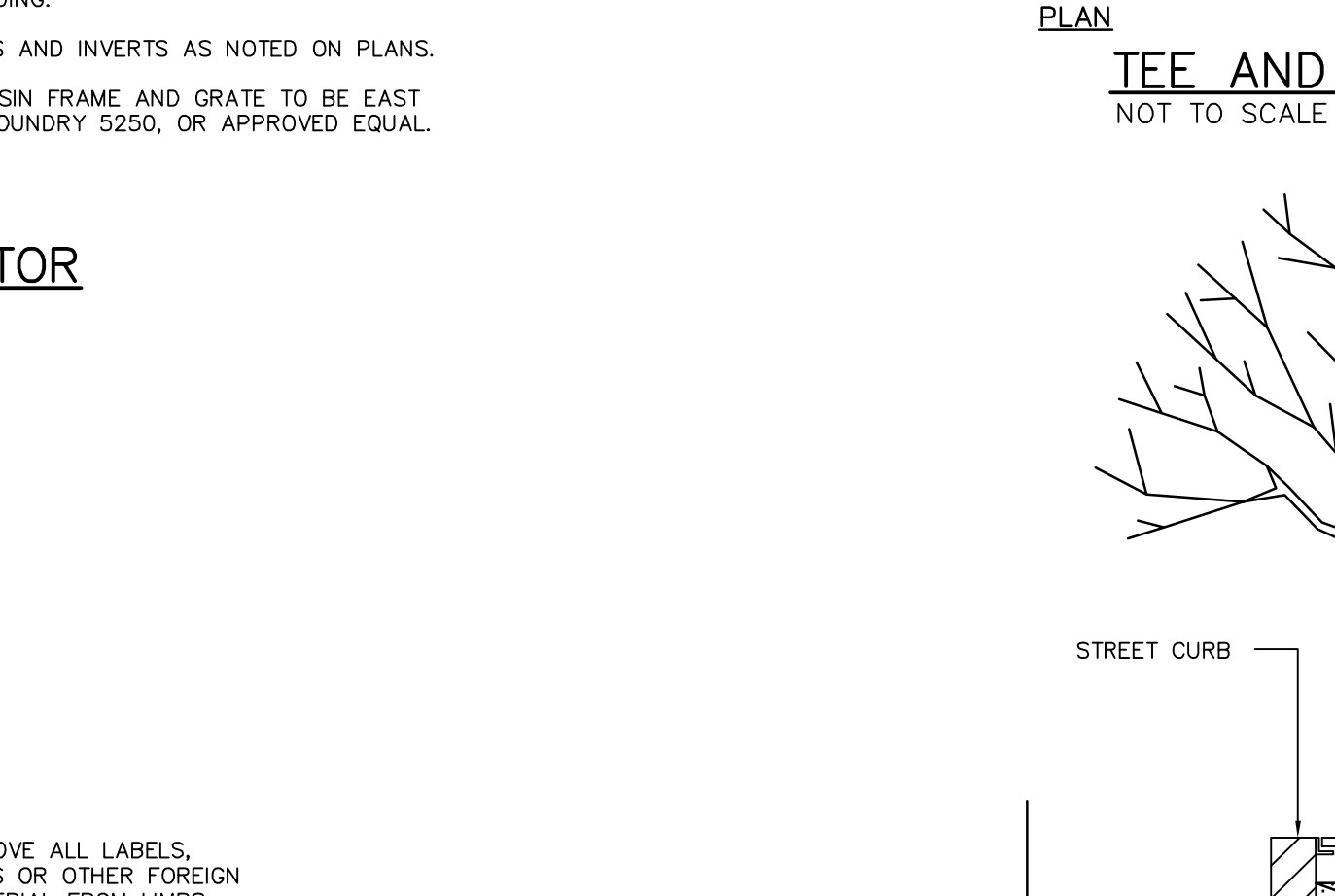
- TANKS SHOULD BE PUMPED AS NEEDED
- ACCESS COVERS SHOULD HAVE RISERS TO BEING COVER ACCESS TO GRADE
- TANKS CAN BE VACUUM TESTED AT AN ADDITIONAL COST



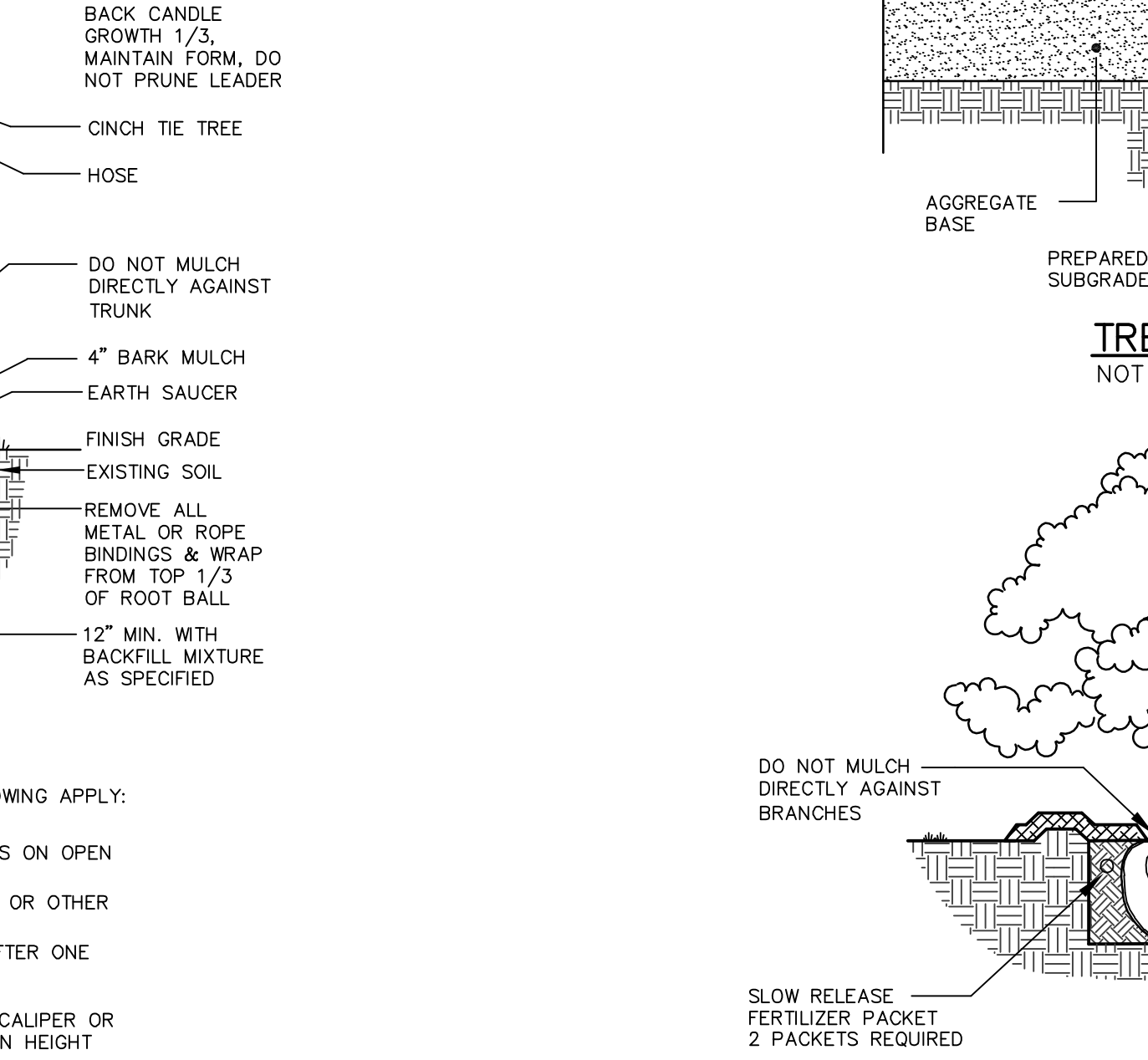
BIKE RACK DETAIL
NOT TO SCALE



TREE PIT DETAIL
NOT TO SCALE



DECIDUOUS TREES
2" TO 4" CALIPER
NOT TO SCALE



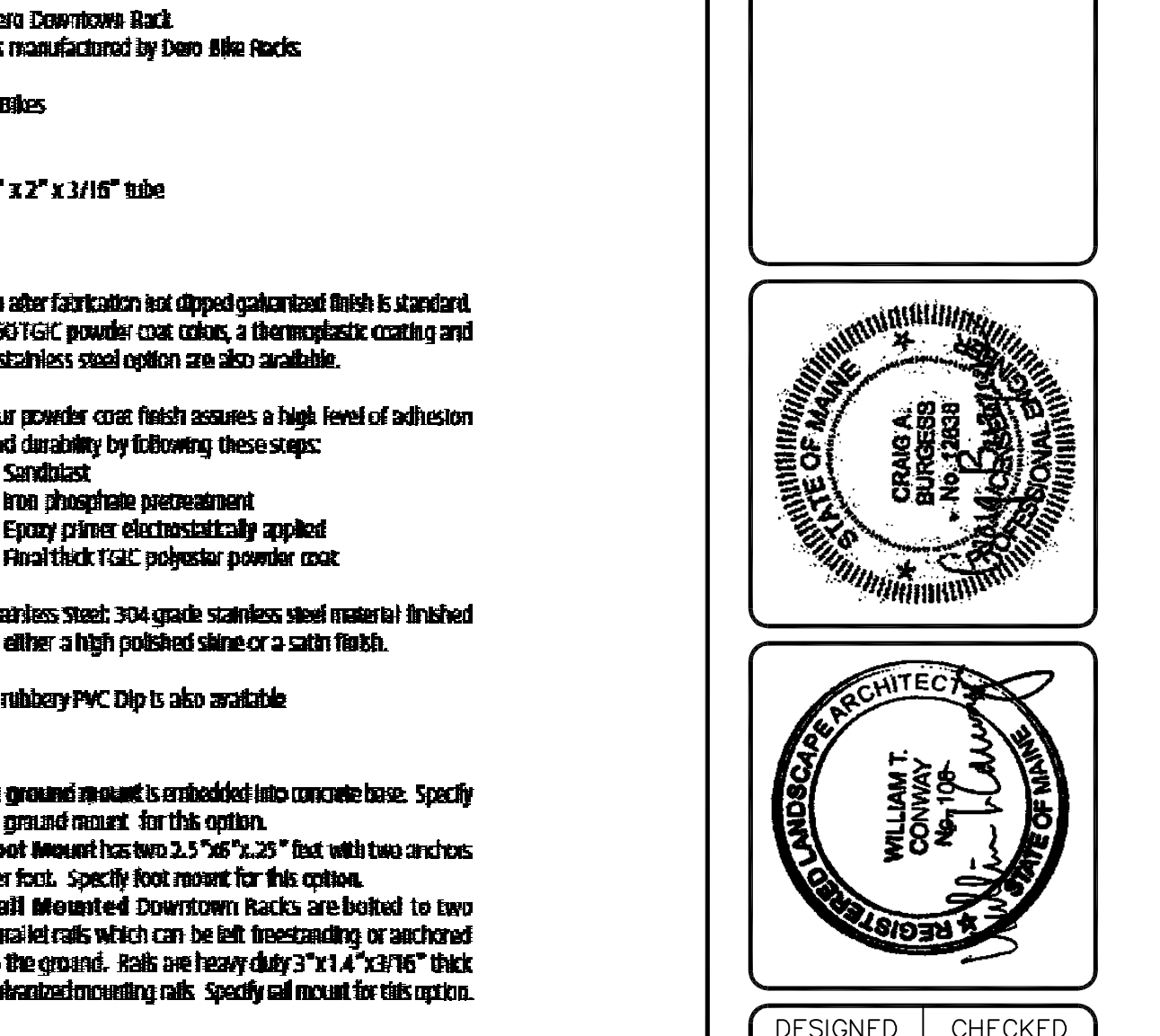
DECIDUOUS & EVERGREEN SHRUB
NOT TO SCALE

CONCRETE SPECIFICATIONS:

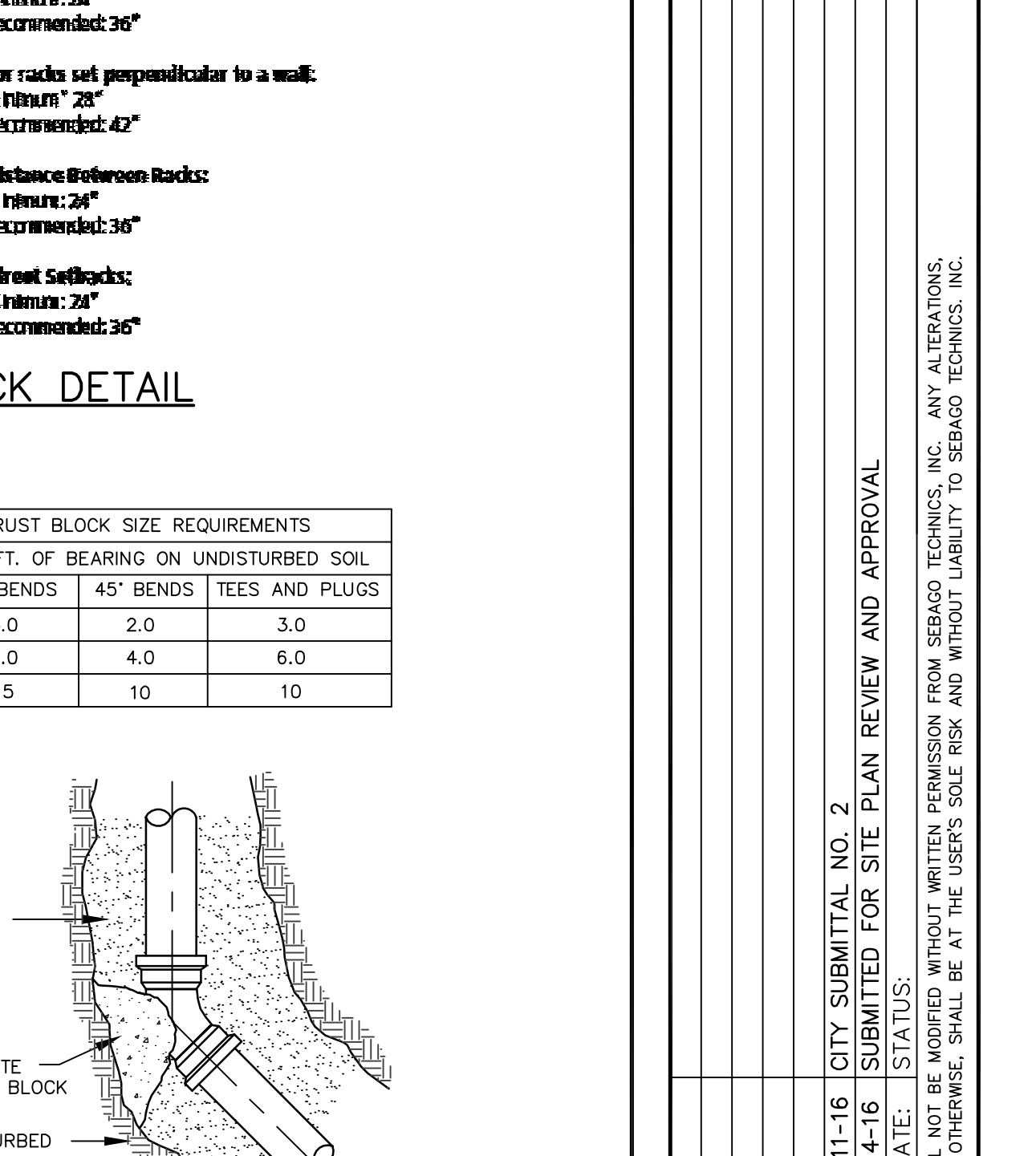
- 4,000 PSI @ 28 DAYS
- 4% MIN. EXTRA DRY AIR
- TANK PENETRATIONS ARE INTEGRALLY CAST
- ALL JOINTS SEALED WITH BUTYL RUBBER JOINT SEALANT

GREASE TRAP INFORMATION:

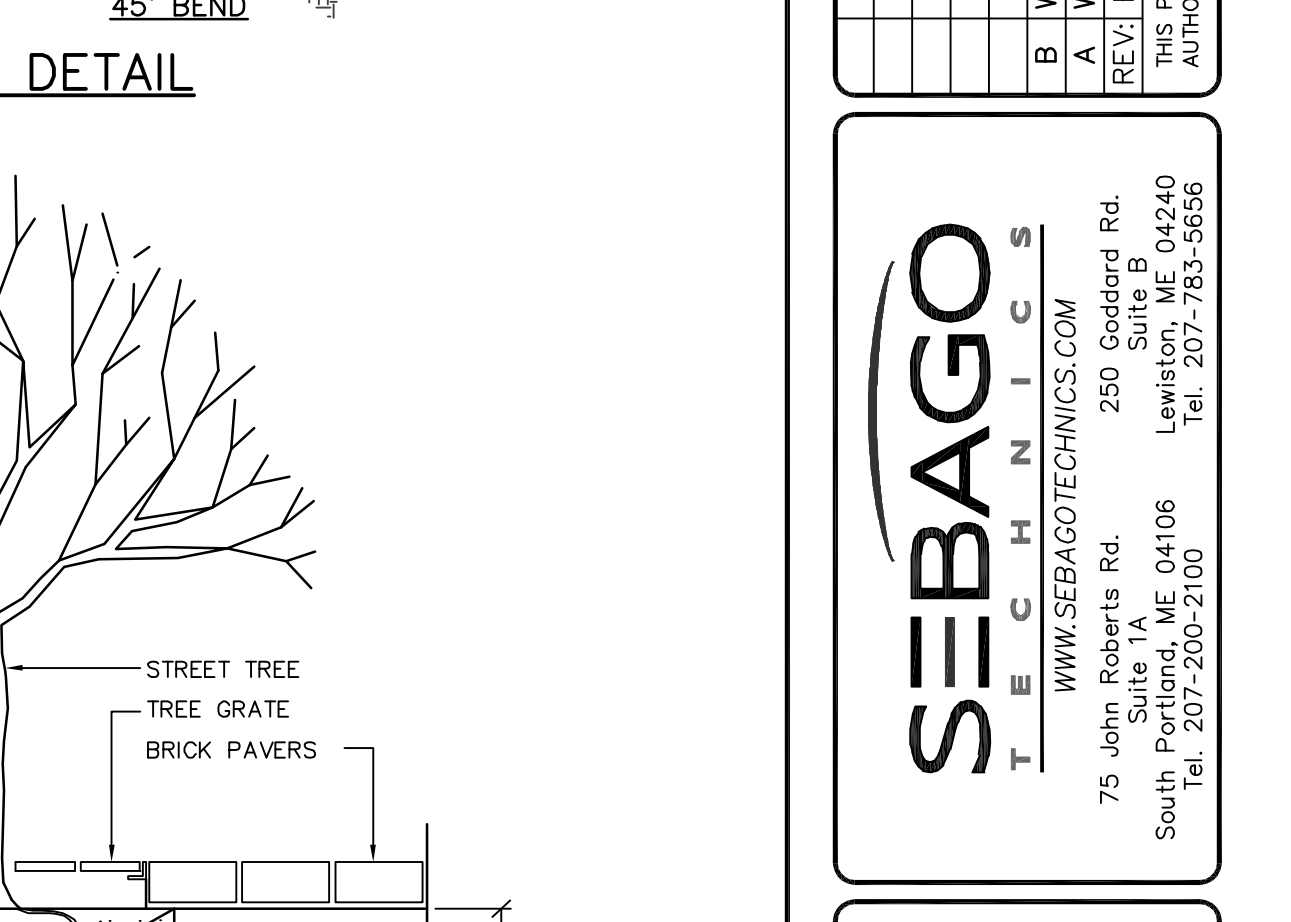
- TANKS SHOULD BE PUMPED AS NEEDED
- ACCESS COVERS SHOULD HAVE RISERS TO BEING COVER ACCESS TO GRADE
- TANKS CAN BE VACUUM TESTED AT AN ADDITIONAL COST



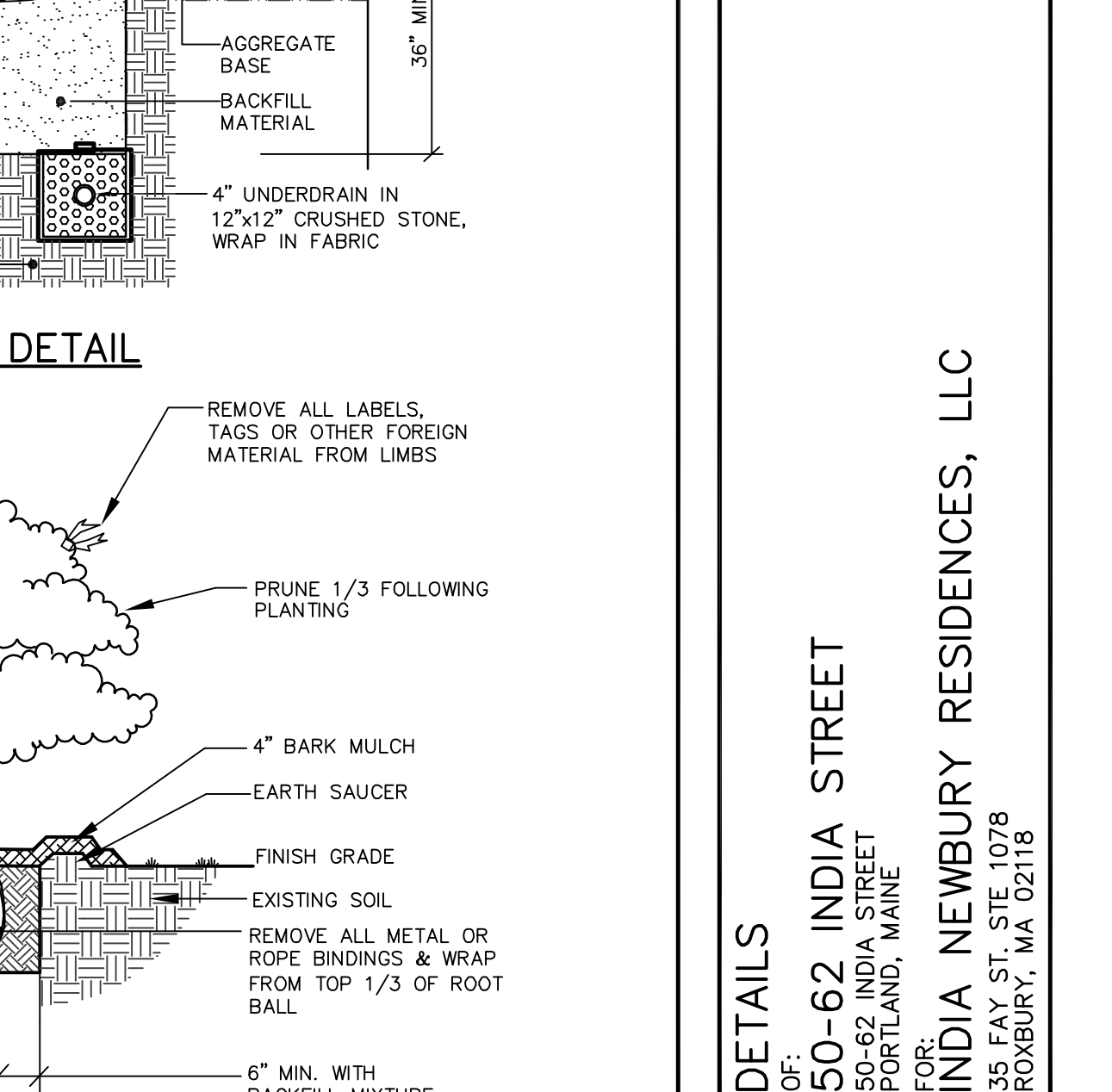
BIKE RACK DETAIL
NOT TO SCALE



TREE PIT DETAIL
NOT TO SCALE



DECIDUOUS TREES
2" TO 4" CALIPER
NOT TO SCALE



DECIDUOUS & EVERGREEN SHRUB
NOT TO SCALE

CONCRETE SPECIFICATIONS:

- 4,000 PSI @ 28 DAYS
- 4% MIN. EXTRA DRY AIR
- TANK PENETRATIONS ARE INTEGRALLY CAST
- ALL JOINTS SEALED WITH BUTYL RUBBER JOINT SEALANT

GREASE TRAP INFORMATION:

- TANKS SHOULD BE PUMPED AS NEEDED
- ACCESS COVERS SHOULD HAVE RISERS TO BEING COVER ACCESS TO GRADE
- TANKS CAN BE VACUUM TESTED AT AN ADDITIONAL COST

DESIGNED: WTC CHECKED: WTC

PROJECT NO. 2024-11-16

CITY SUBMITTAL NO. 2

DATE: 11/16/24

STATUS: Awaiting Approval

WWW.SEBAGOTECHNICS.COM

75 John Jay Street, 2nd Floor
South Portland, ME 04106
Tel: 207-200-2100

SEBAGO

WWW.SEBAGOTECHNICS.COM

75 John Jay Street, 2nd Floor
South Portland, ME 04106
Tel: 207-200-2100

DETAILS

OF: 50-62 INDIA STREET
PORTLAND, MAINE

FOR: INDIA NEWBURY RESIDENCES, LLC

35 FAIR ST., STE. 107B
ROSBURY, MA 02119

PROJECT NO. SCALE

14164 NTS

SHEET 110F 11