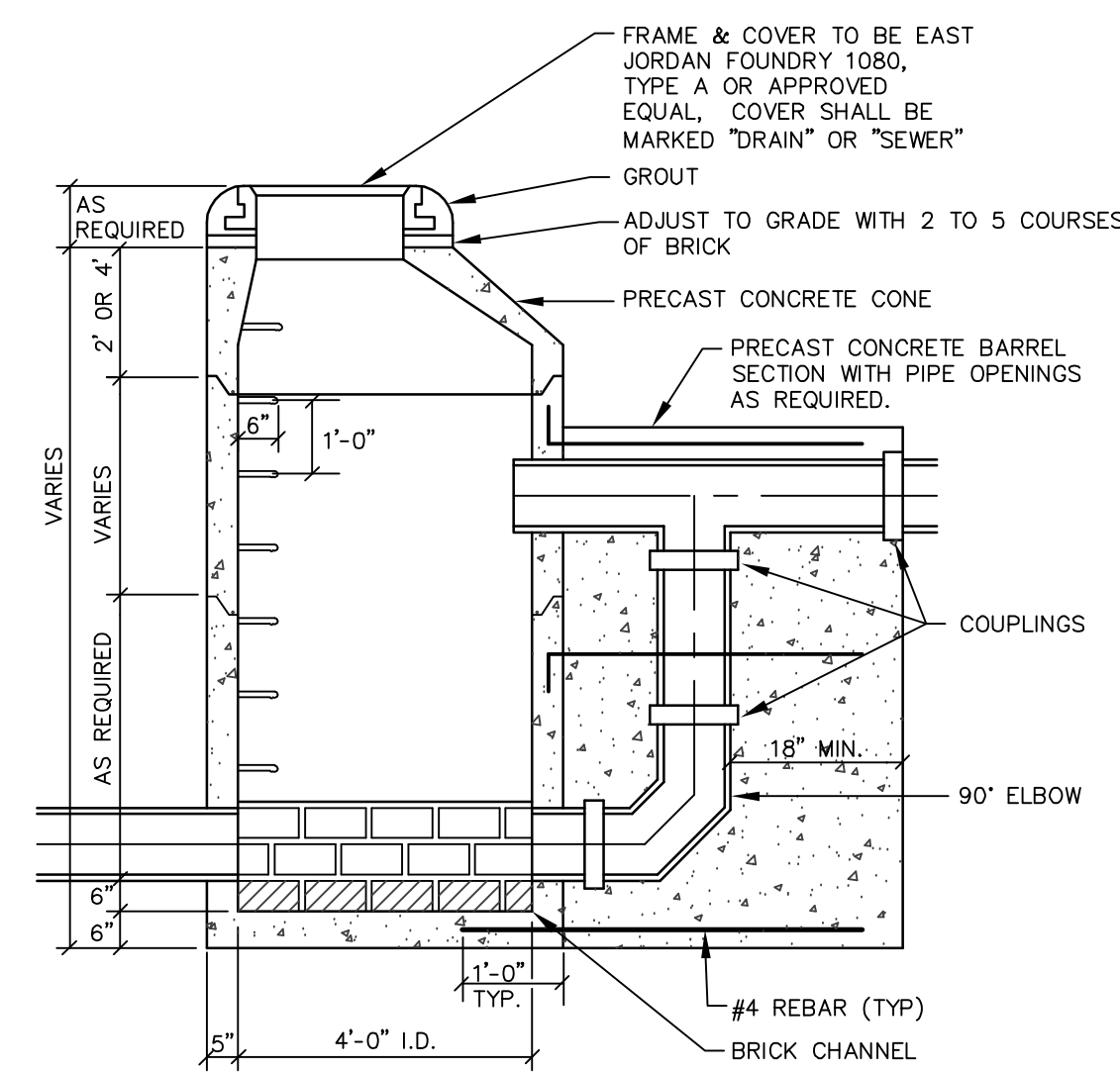
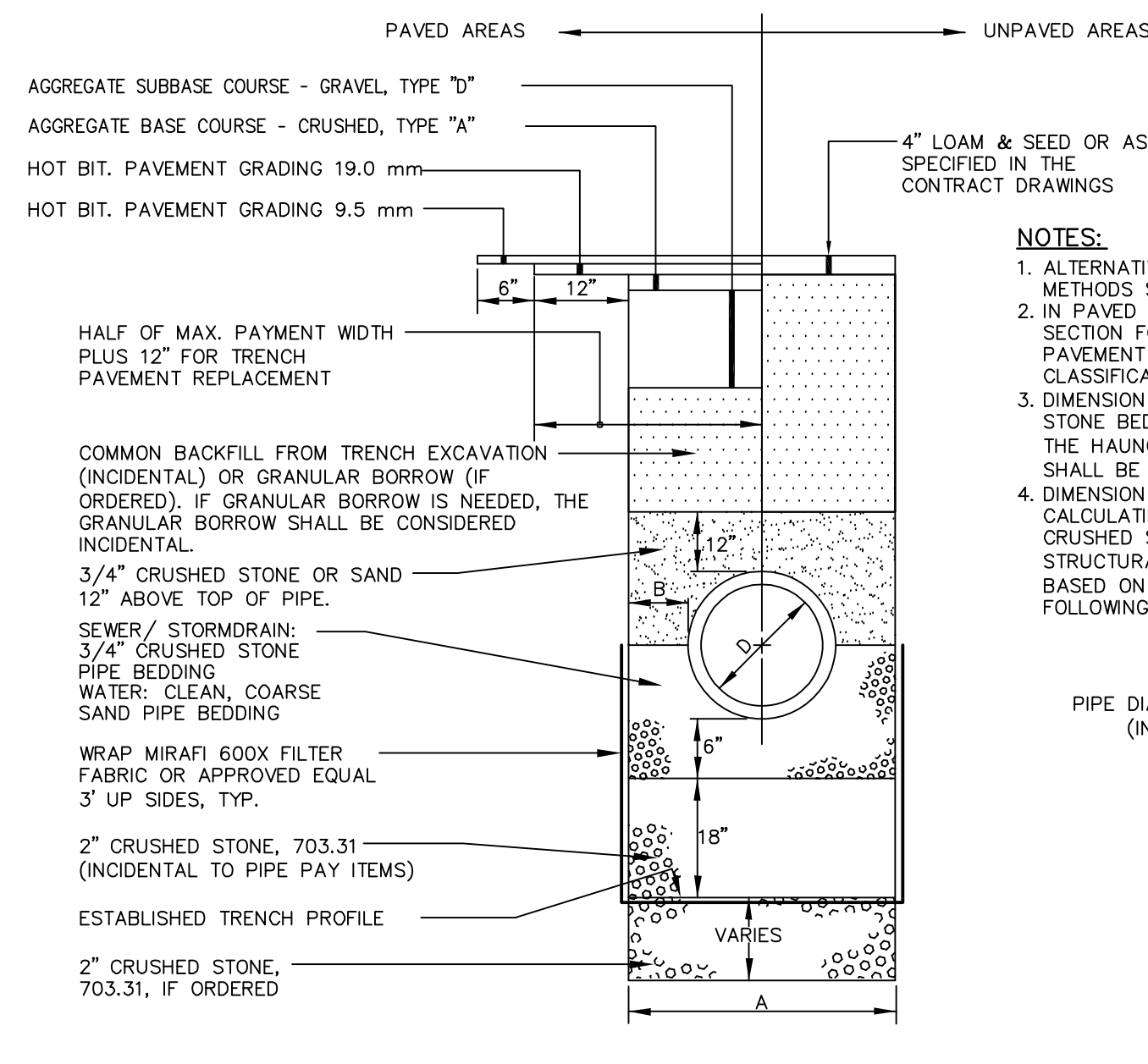


TEE AND BEND DETAIL
NOT TO SCALE

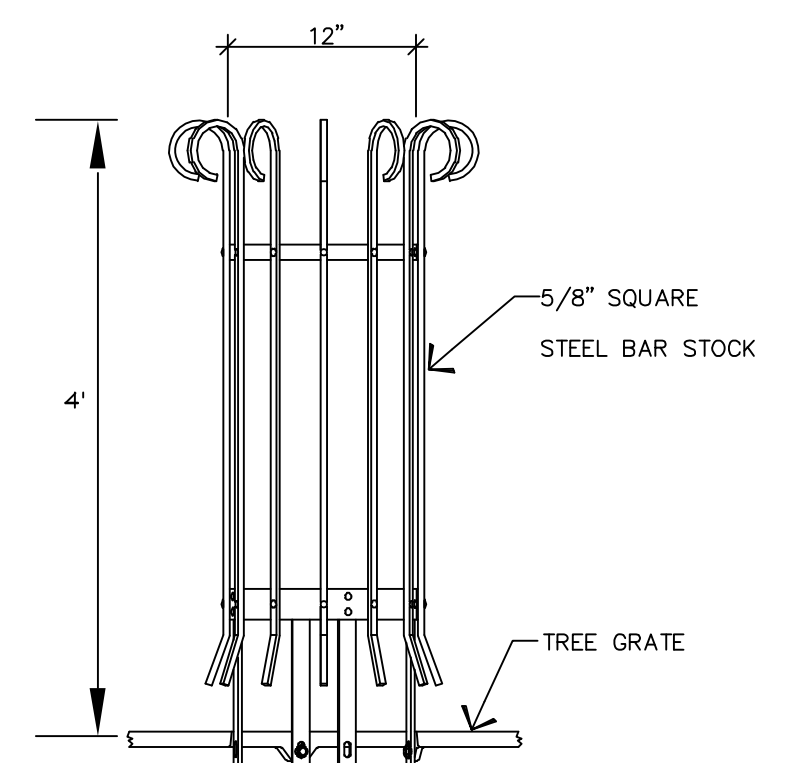


SANITARY DROP MANHOLE
NOT TO SCALE

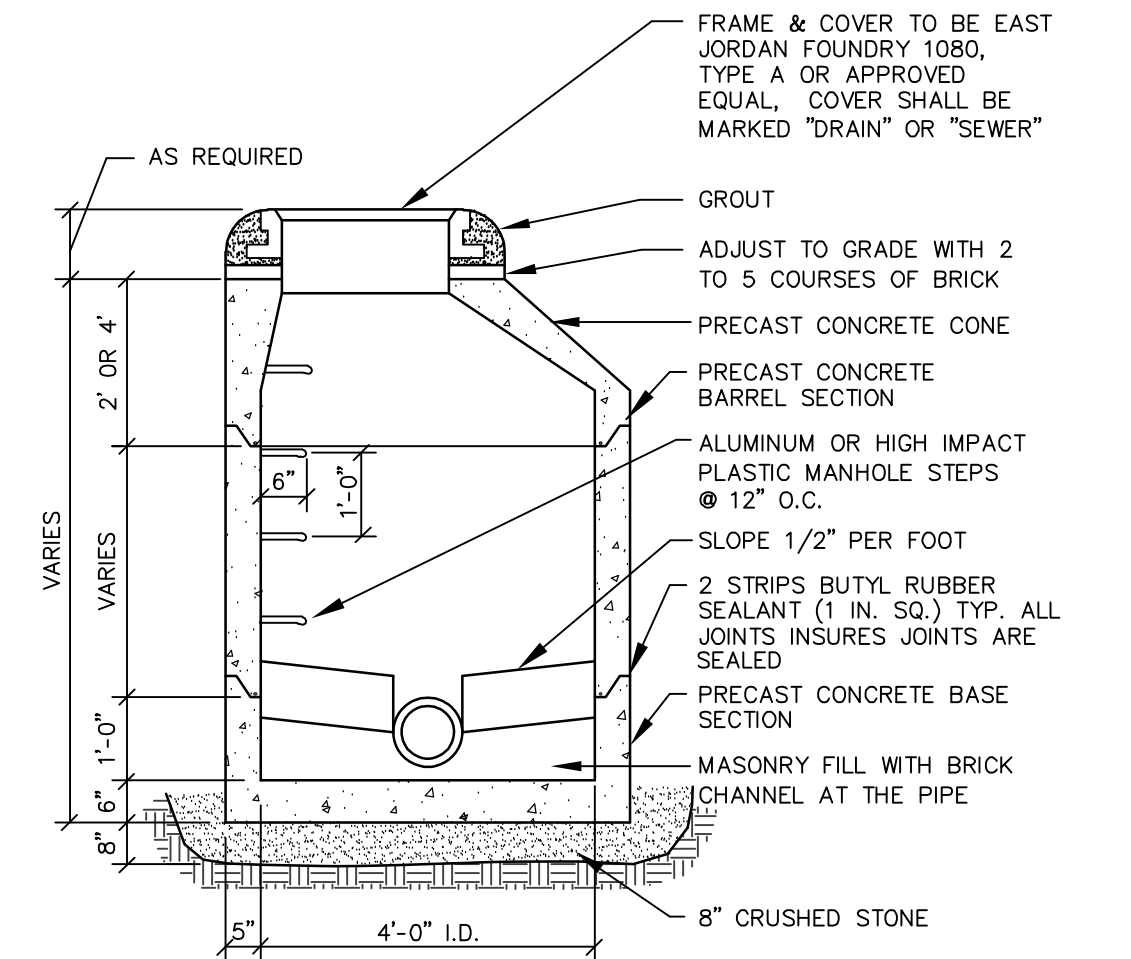


TYPICAL PIPE INSTALLATION DETAIL
NOT TO SCALE

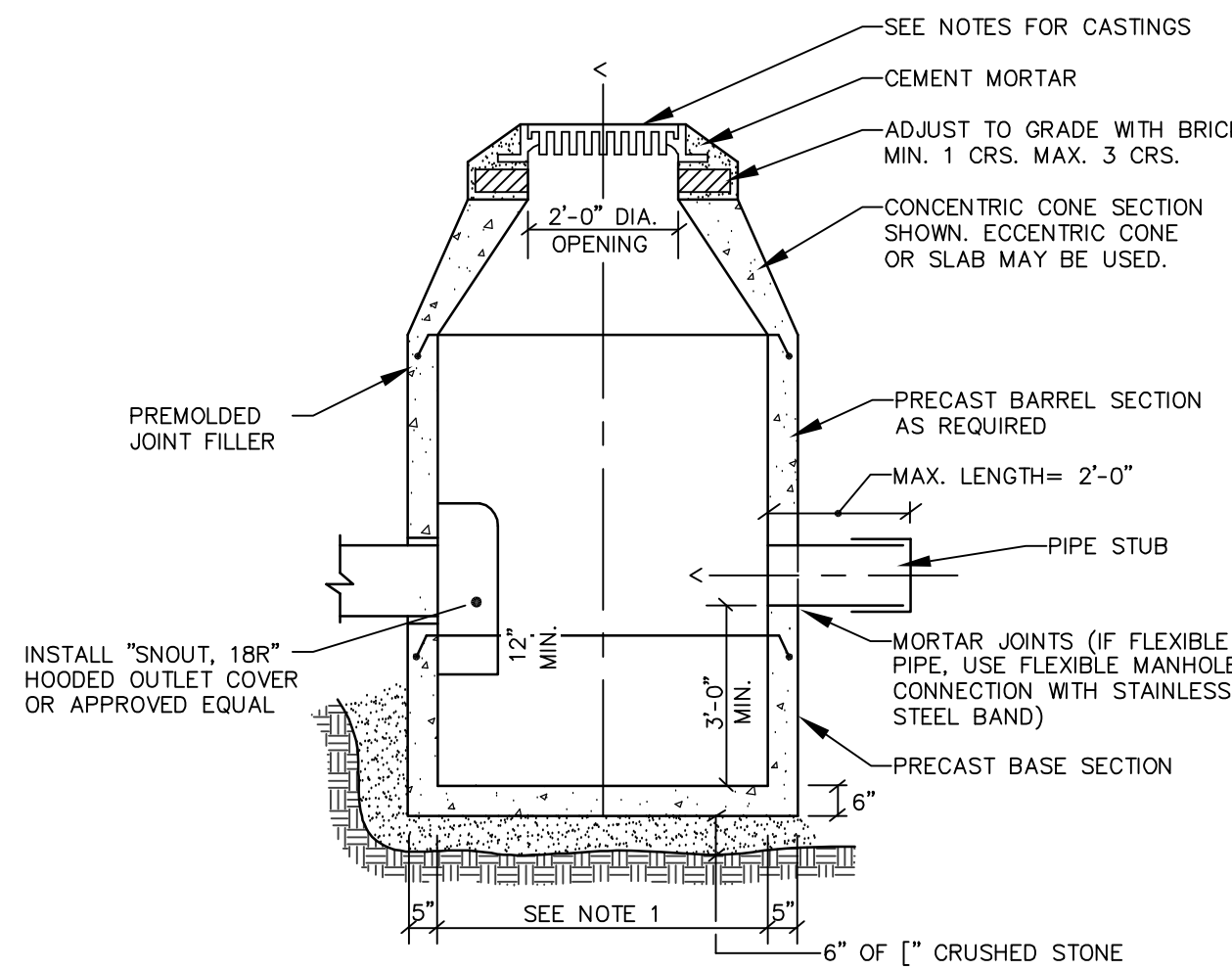
PIPE DIAMETER, "D" (INCHES)	MAX. TRENCH WIDTH, "A" (FEET)
4	4.0
6	4.0
8	4.0
10	4.0
12	4.0
15	4.0
18	5.0
21	5.0
24	5.5
27	6.0
30	6.0
36	7.0
42	8.0
48	8.0



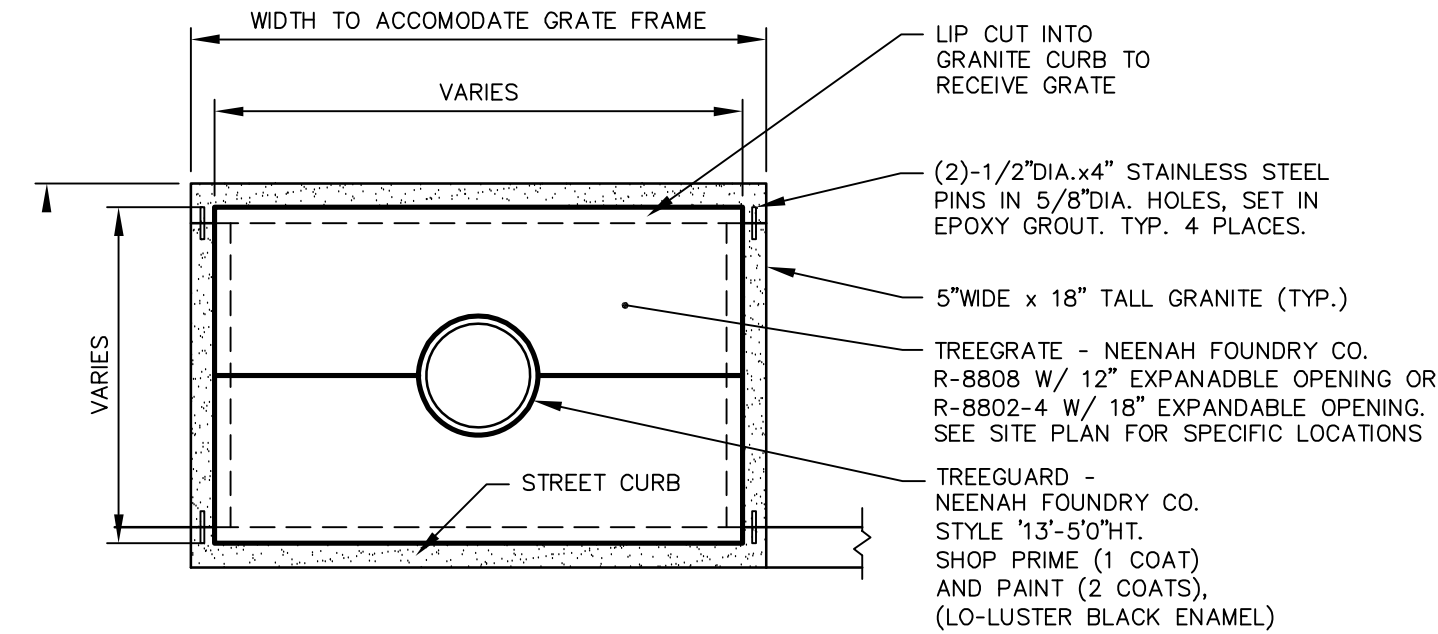
TYPICAL TREE GUARD
NOT TO SCALE



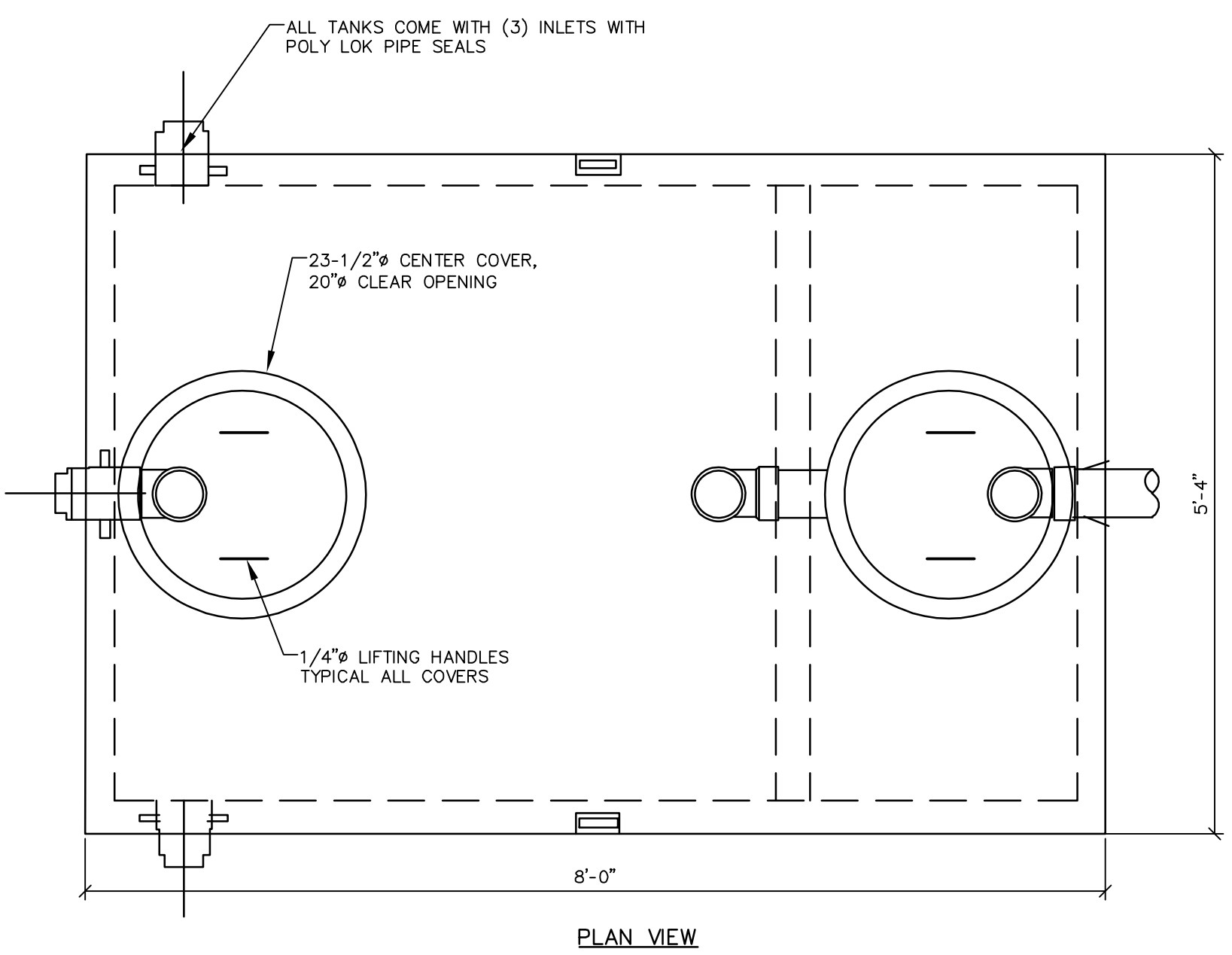
PRECAST MANHOLE
NOT TO SCALE



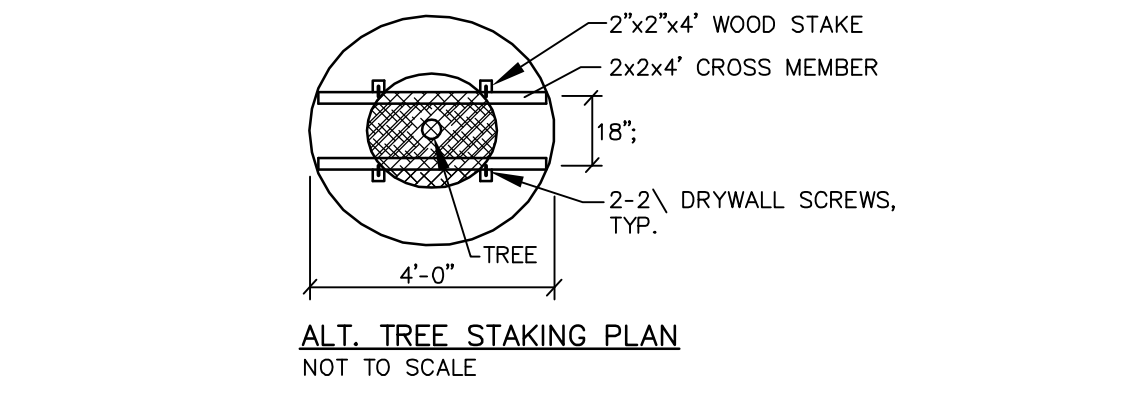
TYPICAL DRAINAGE
MANHOLE/CATCH BASIN
NOT TO SCALE



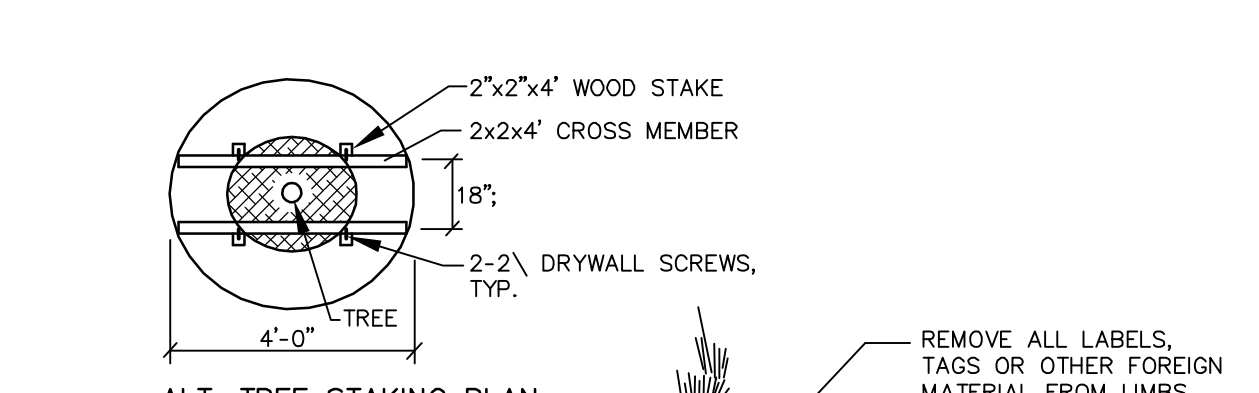
TREE GRATE DETAIL
NOT TO SCALE



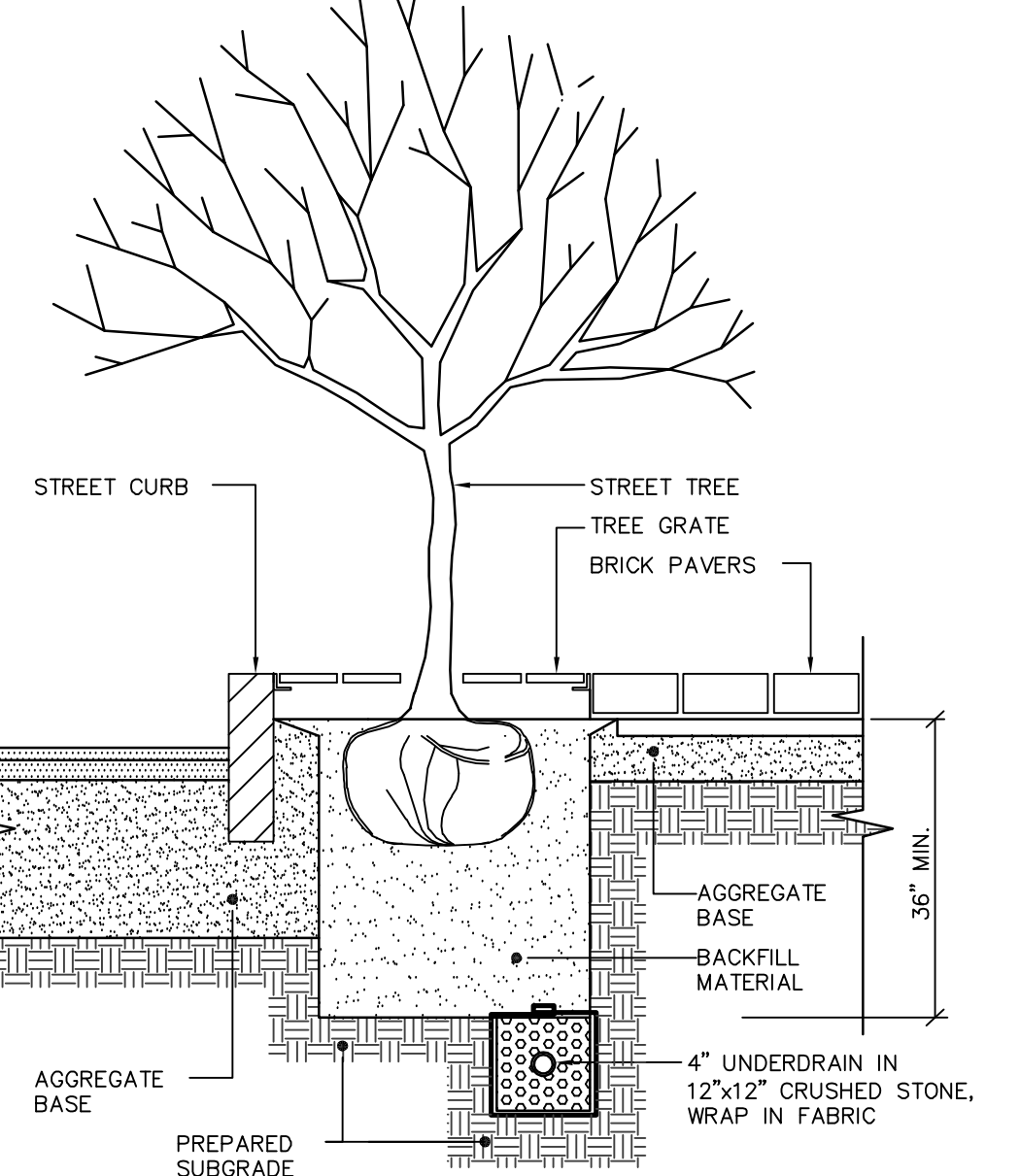
1000 GALLON GREASE TRAP
NOT TO SCALE



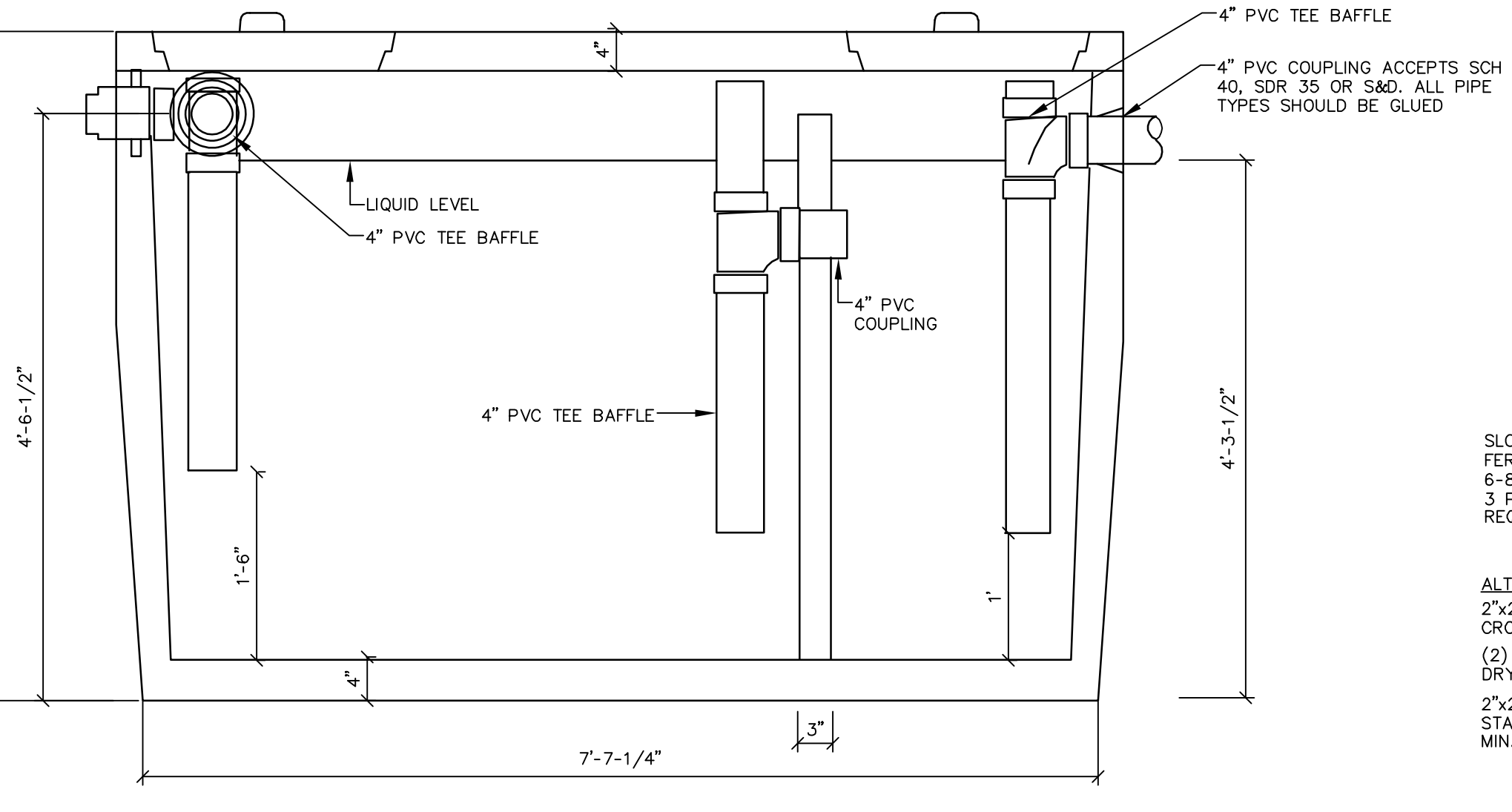
ALT. TREE STAKING PLAN
NOT TO SCALE



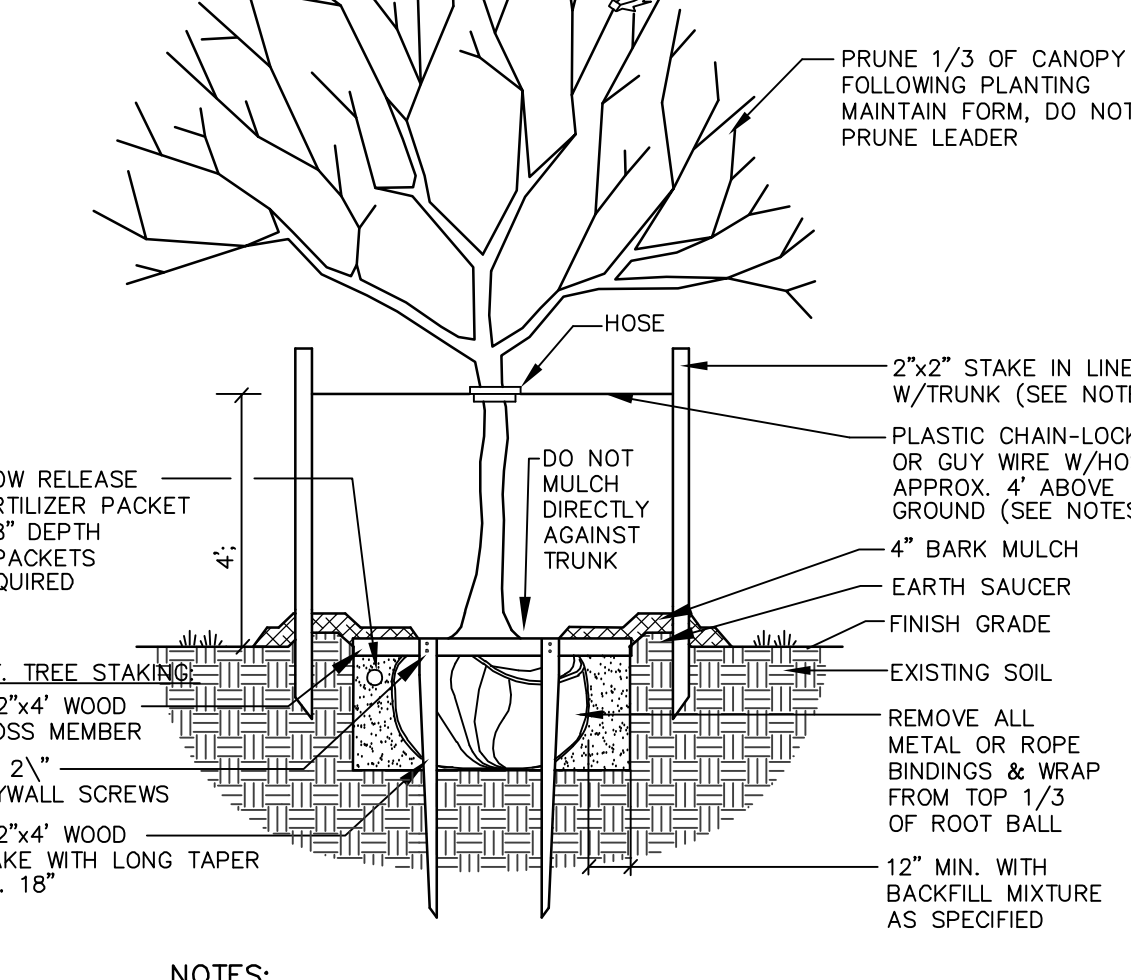
ALT. TREE STAKING PLAN
NOT TO SCALE



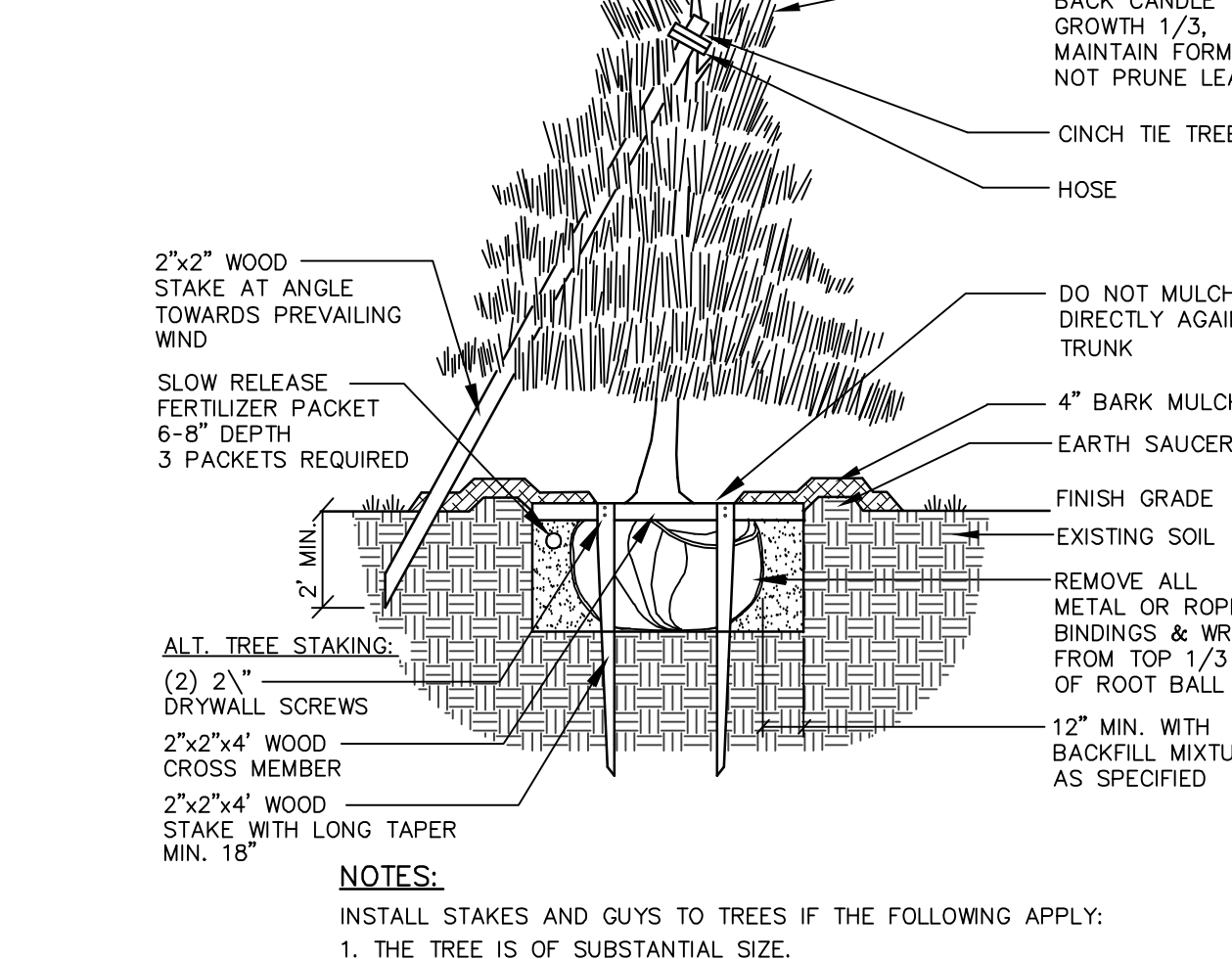
TREE PIT DETAIL
NOT TO SCALE



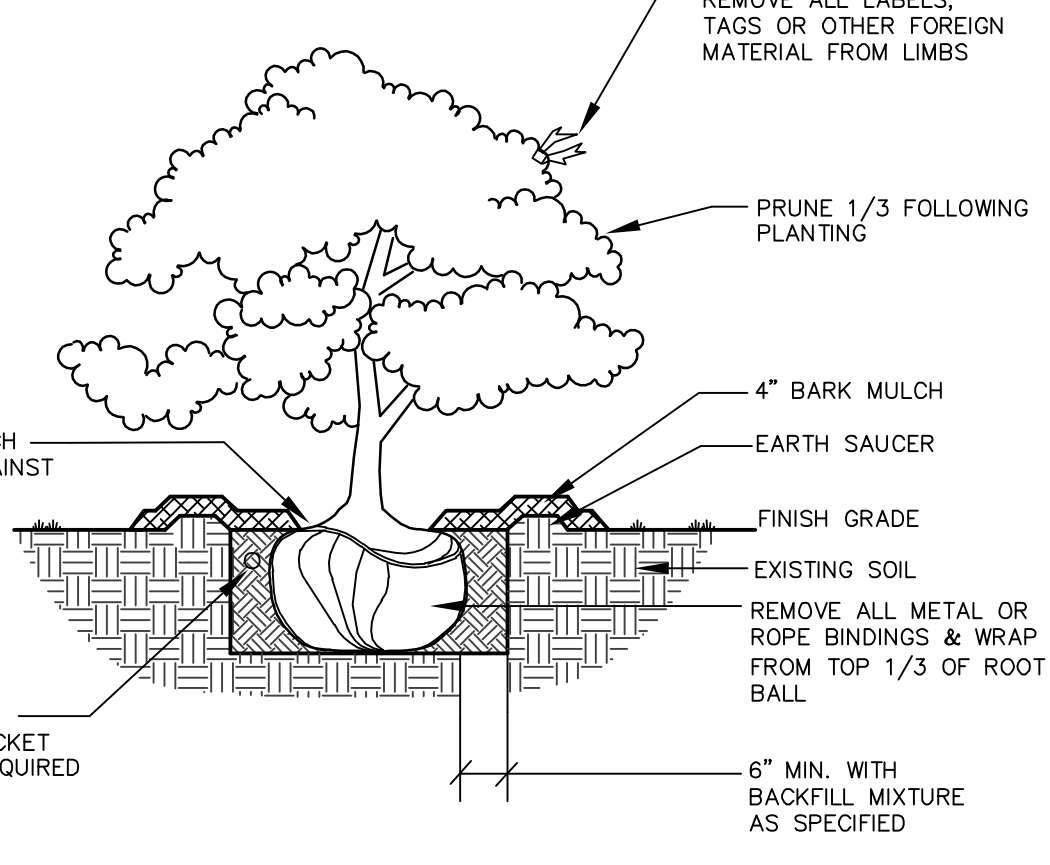
SECTION VIEW
1000 GALLON GREASE TRAP
NOT TO SCALE



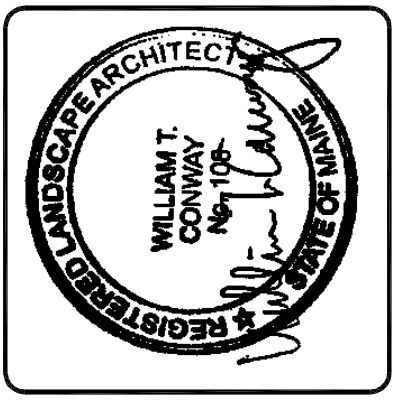
DECIDUOUS TREES
NOT TO SCALE



DECIDUOUS & EVERGREEN SHRUB
NOT TO SCALE



DECIDUOUS & EVERGREEN SHRUB
NOT TO SCALE



DESIGNED	CHECKED
WTC	WTC
SUBMITTED FOR SITE PLAN REVIEW AND APPROVAL	
A. WTC	3/4/16
DATE:	3/4/16
BY:	WTC



DETAILS OF: 50-62 INDIA STREET, PORTLAND, MAINE
FOR: INDIA NEWBURY RESIDENCES, LLC
35 FAY ST., LEWISTON, ME 04240
ROBURY, MA 02118

PROJECT NO.	SCALE
14164	NTS