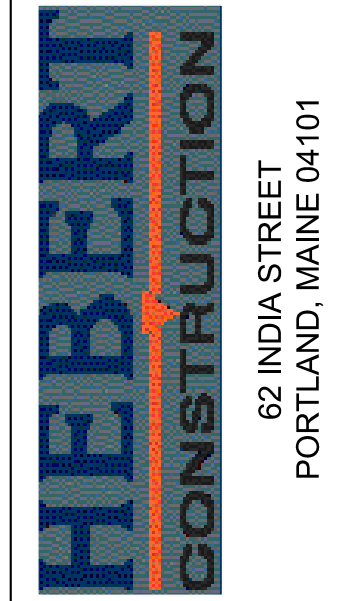


**MARK
MUELLER
ARCHITECTS**
A.I.A.
100 Commercial Street
Suite 205
Portland, Maine 04101
Phone: 207.774.9057
Email:
rfi@muellerarchitects.com

© COPYRIGHT 2017
MARK MUELLER ARCHITECTS



TENANT FIT-UP FOR:

REFLECTED CEILING PLAN
& ADA RESTROOMS

REVISIONS
DATE
OCT. 2017
PROJECT
INDIA STREET
DRAWN BY
MRP
CHECK BY
MAM

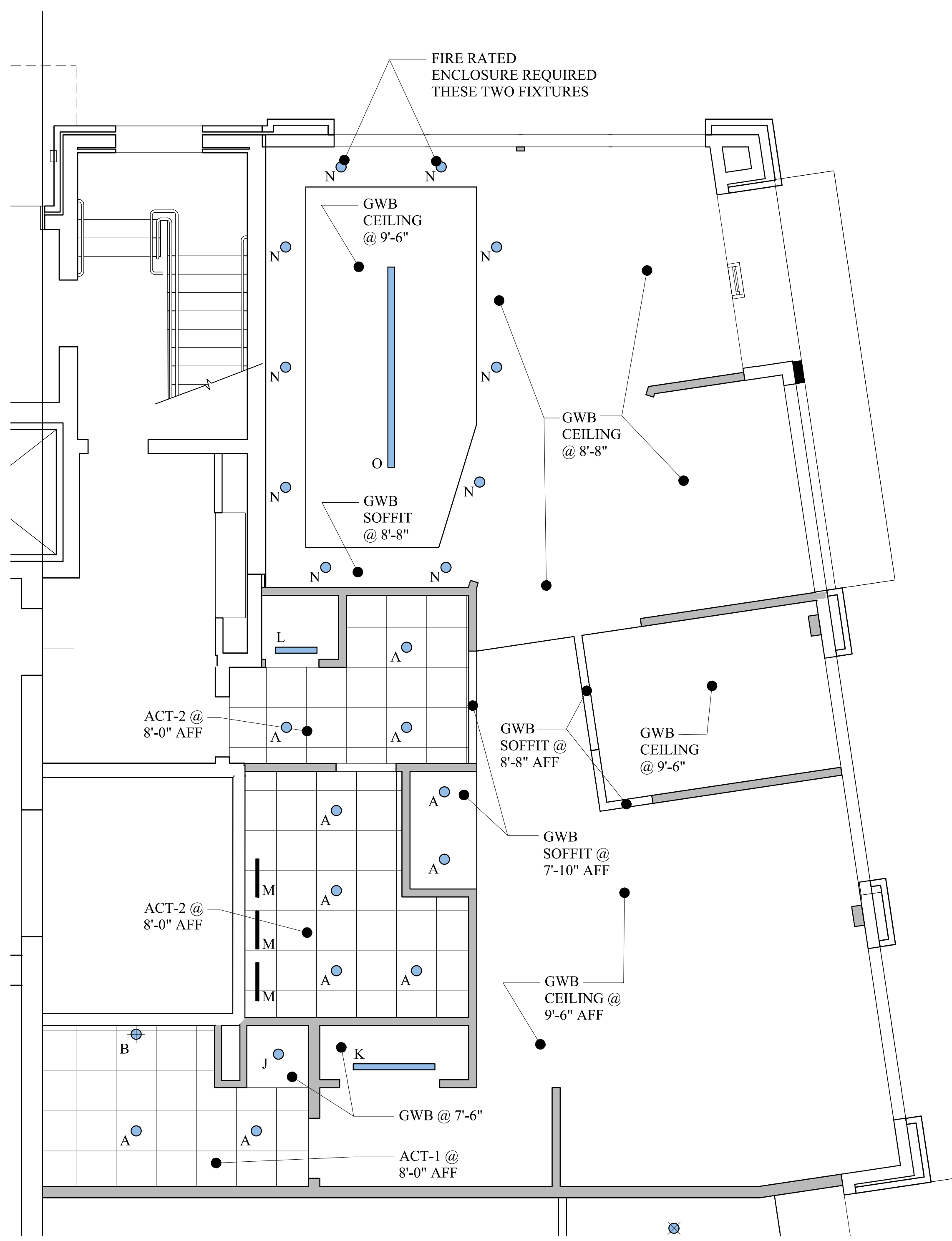
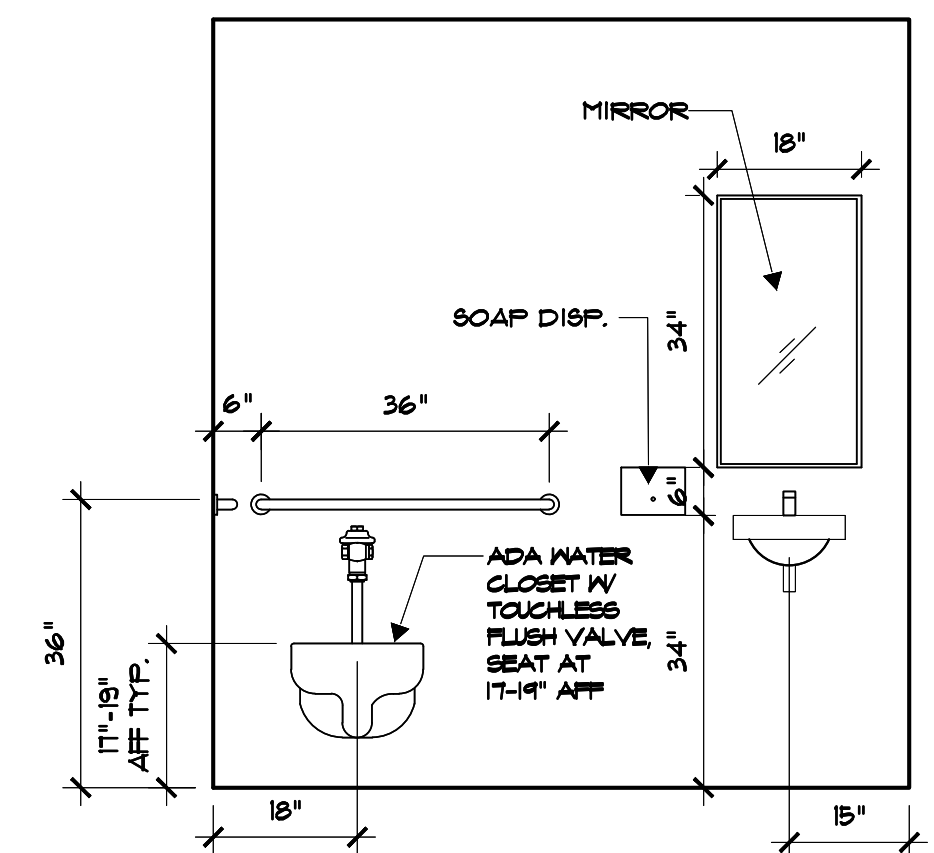
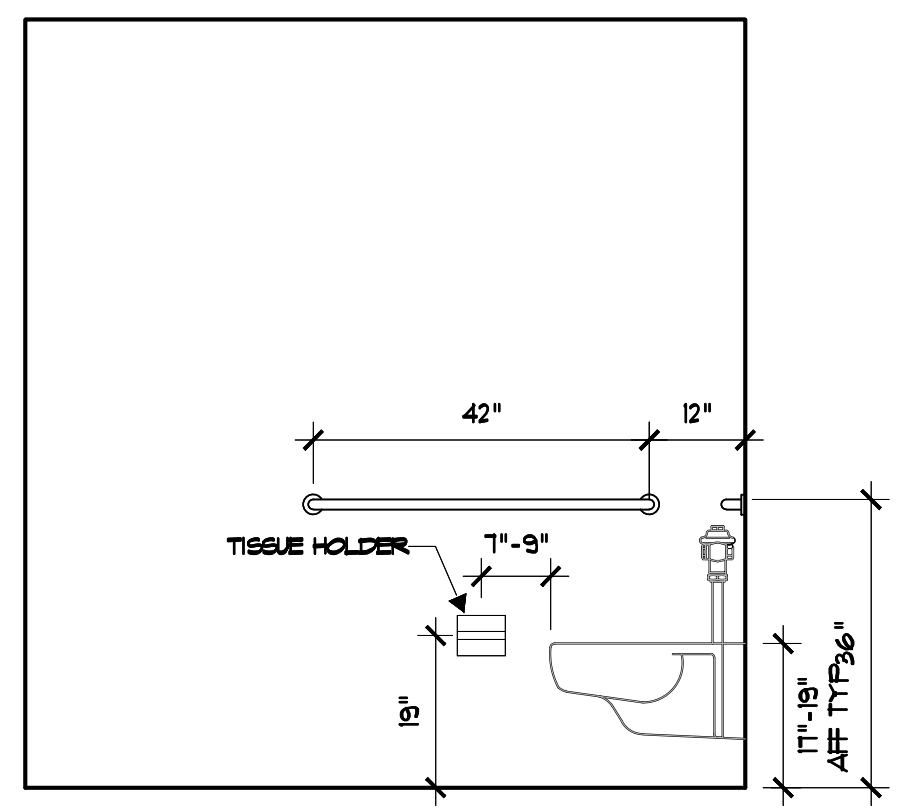
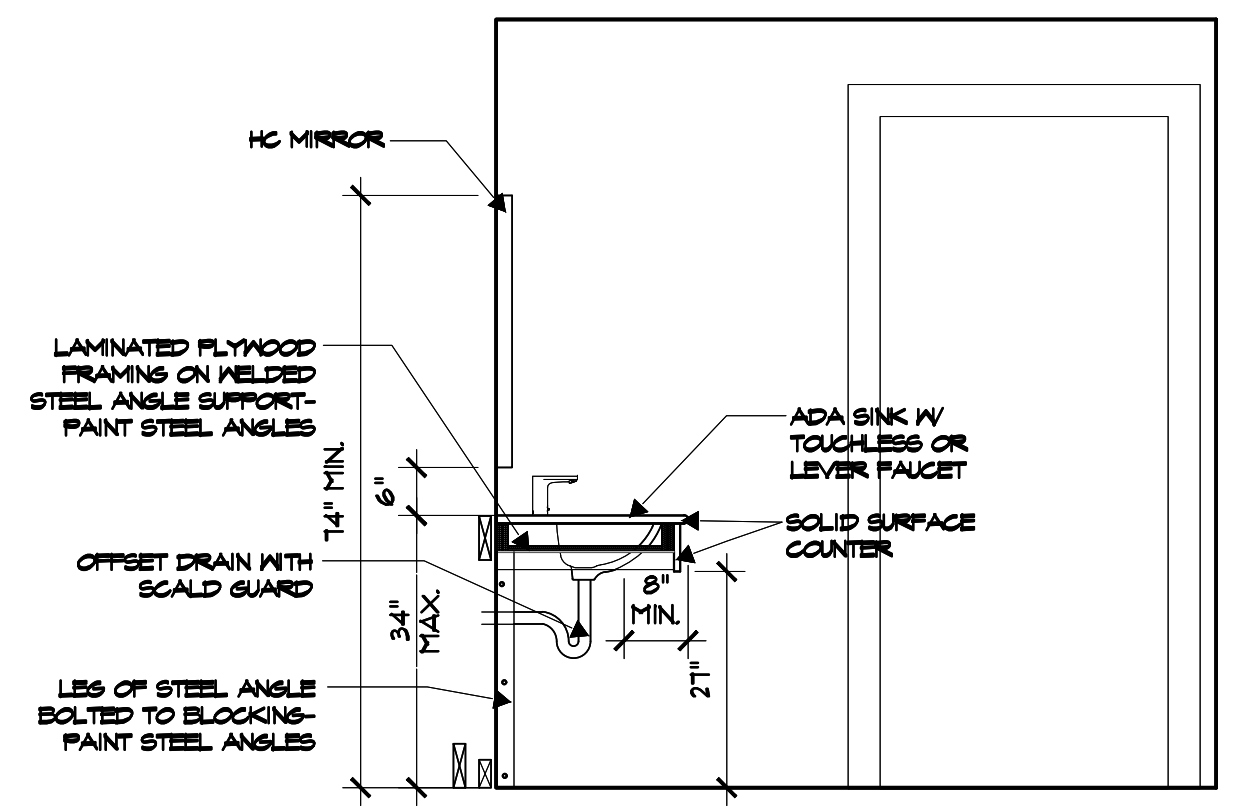
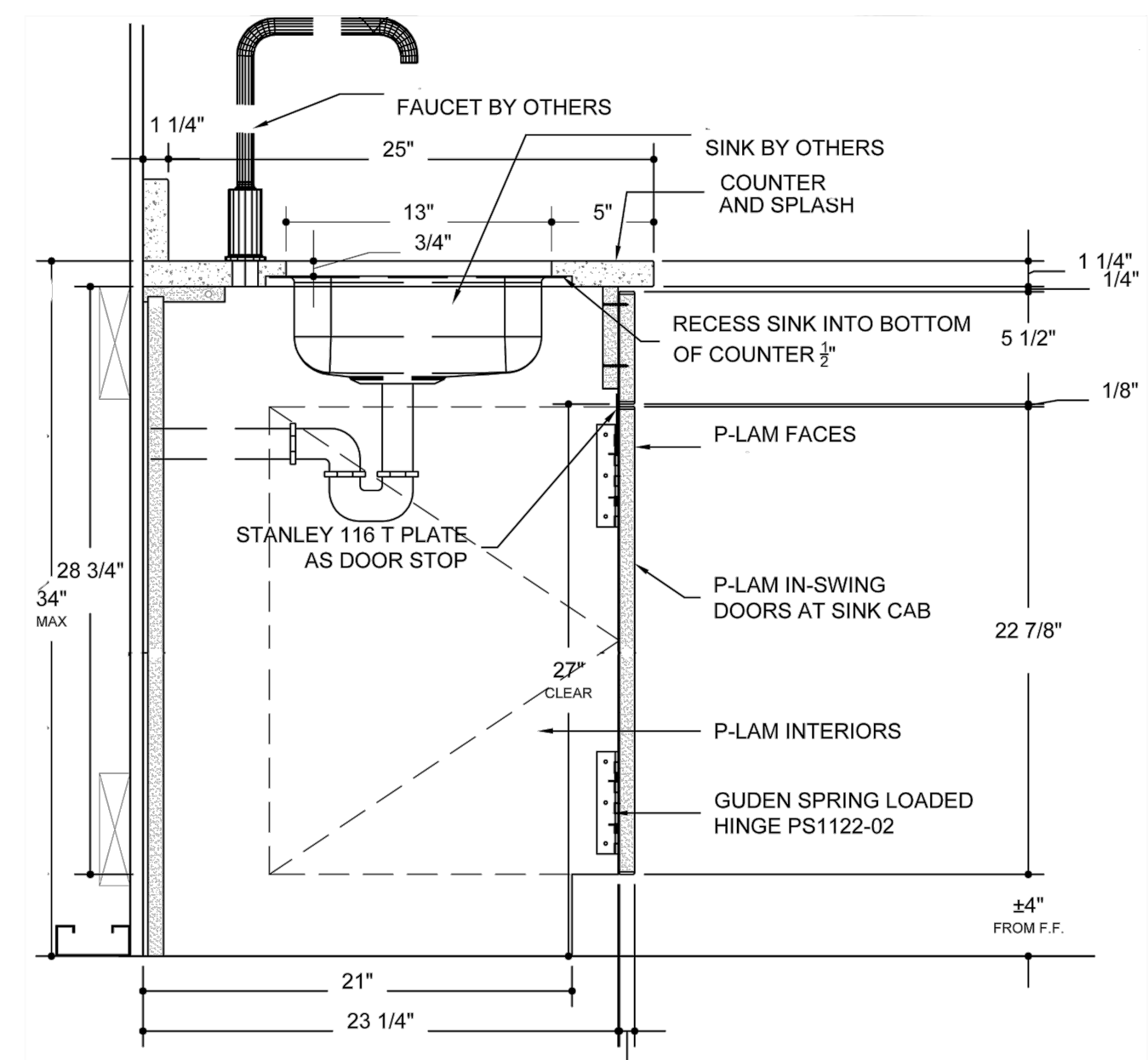
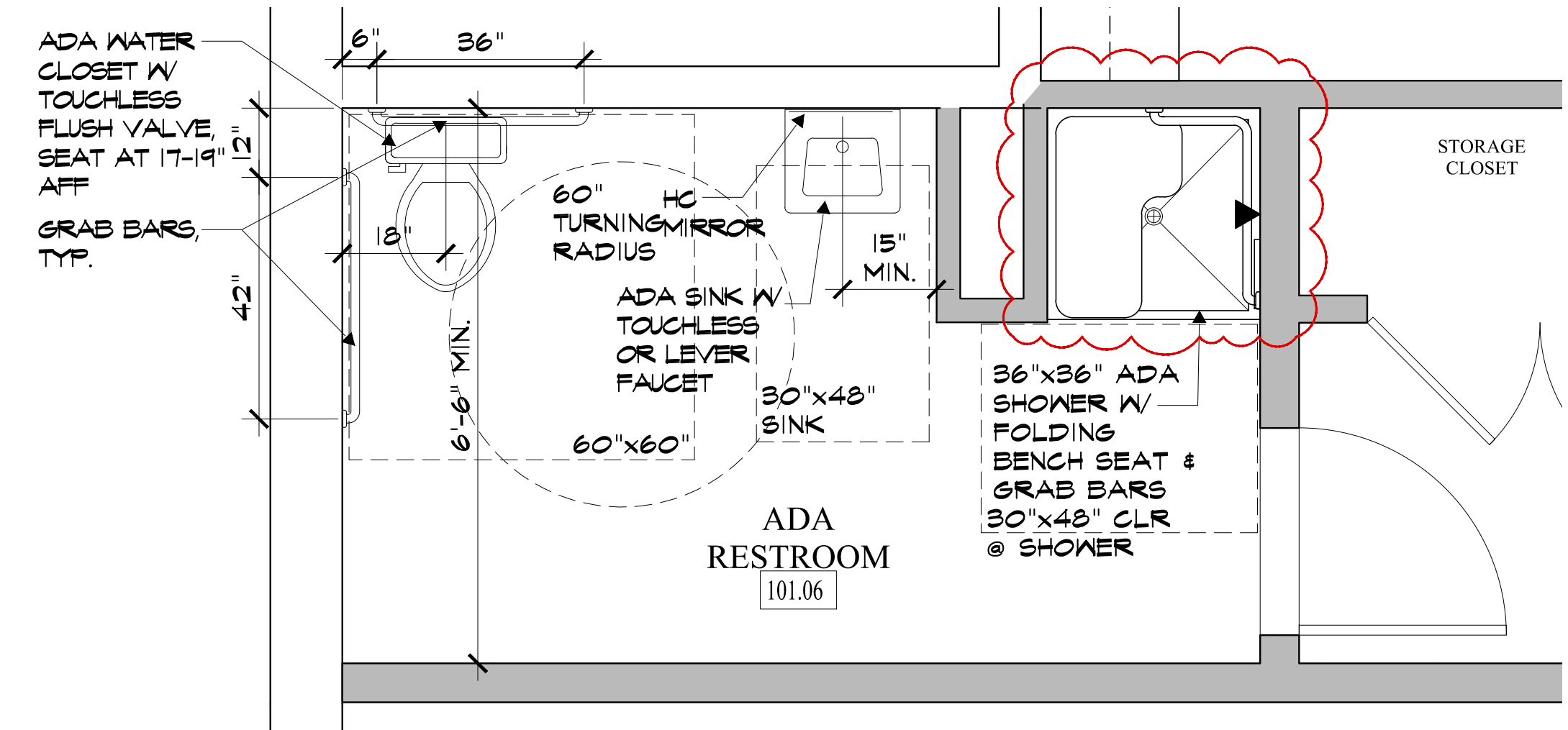
A-1.2

LIGHTING LEGEND

A	6" RECESSED LED DOWNLIGHT, CLEAR REFLECTOR W/ WHITE TRIM PRESCOLITE: LF6LEDG4-6LFLEDG4-35K-WT
B	DECORATIVE WALL SCOSNE
C	2"x2" LED RECESSED GRID FIXTURE, ANGLED NARROW RAIL FINELITE: HPR-LED-ANR-2X2-DCO-SO-3500K-120V-SC-C1
D	6" INDIRECT/ DIRECT 2" APERTURE LED FIXTURE CEILING SUSPENDED FINELITE: HP-2-ID-6-S-S-835-TG-F-96LG-120V-SC-FA-FE-C4 MOUNT 9" AFF TO BOT. OF FIXTURE
E	8" INDIRECT/ DIRECT 2" APERTURE LED FIXTURE CEILING SUSPENDED FINELITE: HP-2-ID-8-S-S-835-TG-F-96LG-120V-SC-FA-FE-C4 MOUNT 10" AFF TO BOT. OF FIXTURE
F	4" DIRECT 2" APERTURE LED FIXTURE WALL MOUNTED FINELITE: HP-2-WMD-4-S-835-F-120V-SC
G	MINI DECORATIVE ARCHITECTURAL SUSPENDED DOWNLIGHT, 7" AFF
H	DECORATIVE ARCHITECTURAL SUSPENDED DOWNLIGHT, 8" AFF
I	ARCHITECTURAL TRACK LIGHTING
J	6" RECESSED LED DOWNLIGHT, WET LOCATION W/ WHITE TRIM PRESCOLITE: LC6LED-120-6LCLD5-40K-8-WH-WT
K	4" LED LENSED STRIPLIGHT COLUMBIA LIGHTING: LCL-4-40-LW-E-U
L	2" LED LENSED STRIPLIGHT COLUMBIA LIGHTING: LCL-2-40-LW-E-U
M	24" UNDERCABINET LIGHT W/ ROCKER SWITCH NOVO TASK' PRIMA LIGHTING: S5T24-WH-30K
N	4" RECESSED LED DOWNLIGHT, CLEAR REFLECTOR W/ WHITE TRIM PRESCOLITE: LF4SL-DM1-347V-LV-4LPSL-11L-35K-SP-WH-WT
O	10" INDIRECT/ DIRECT 2" APERTURE LED FIXTURE CEILING SUSPENDED FINELITE: HP-2-ID-10-S-S-835-TG-F-96LG-120V-SC-FA-FE-C4 - DIMMABLE MOUNT 8" AFF TO BOT. OF FIXTURE

CEILING LEGEND

ACT-1	ARMSTRONG DUNE LAY IN 15/16" SUPRAFINE XL 24"x24" 15/16" GRID WHITE
ACT-2	ARMSTRONG DUNE TEGULAR 15/16" SUPRAFINE XL 24"x24" 15/16" GRID WHITE
ACT-2	ARMSTRONG CANYON BEVELED 9/16" SUPRAFINE XL 24"x24" 9/16" GRID WHITE
GWB	PAINTED GWB CEILING



REVISED: FEBRUARY 28, 2018
PERMIT SET: DECEMBER 27, 2017