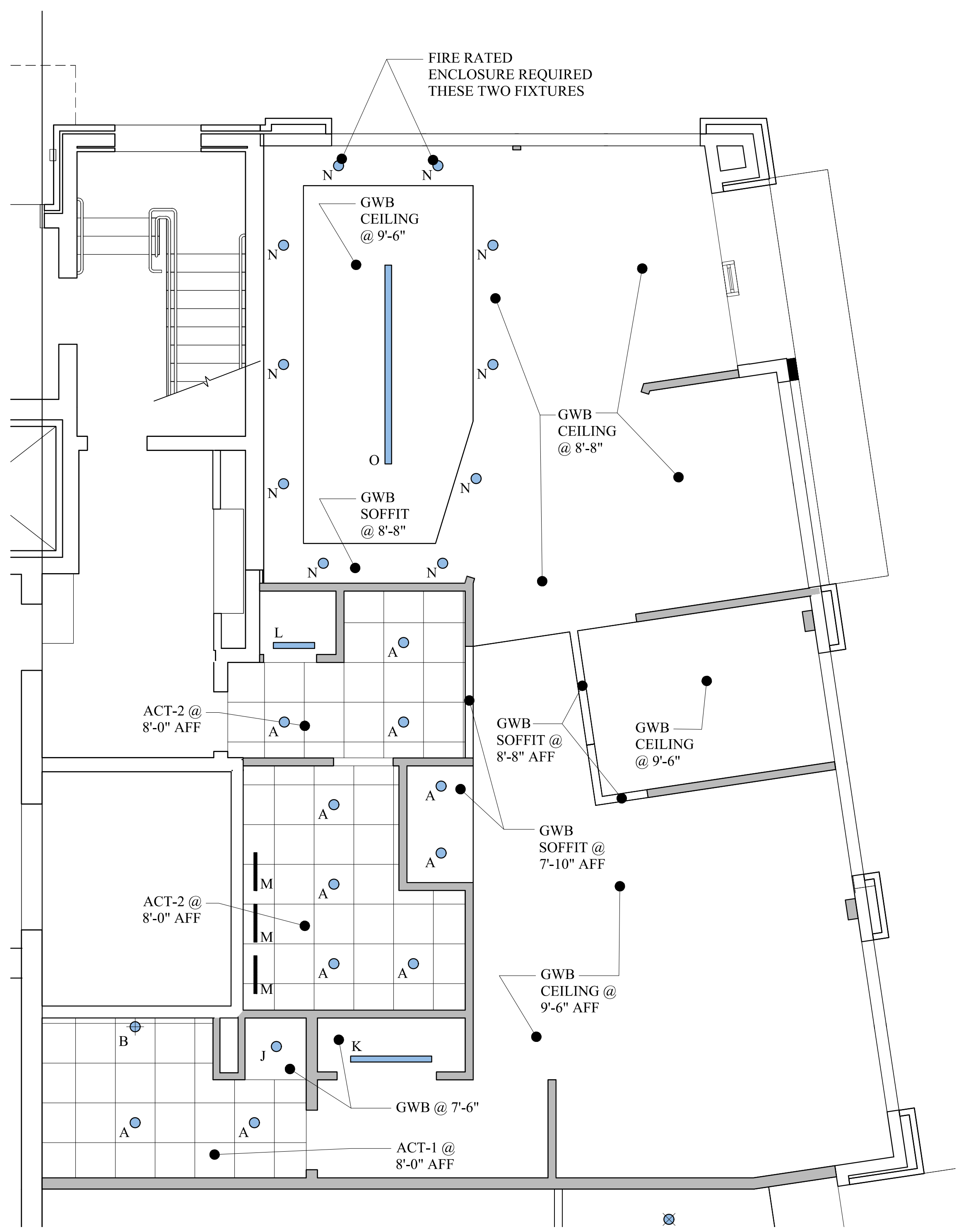
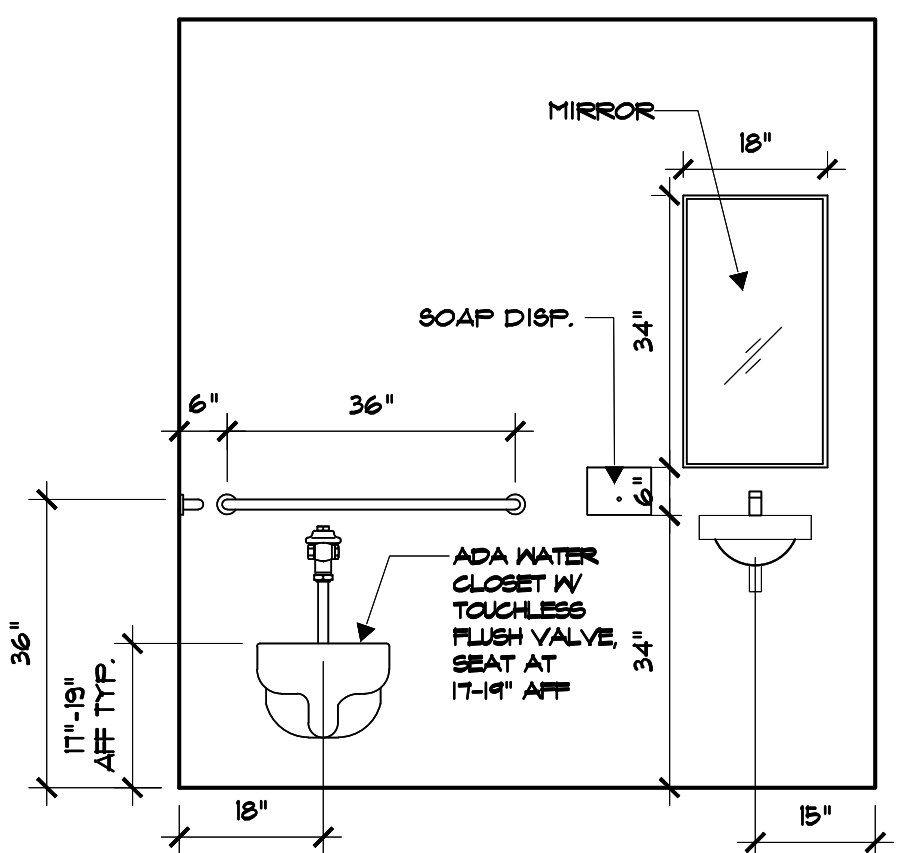
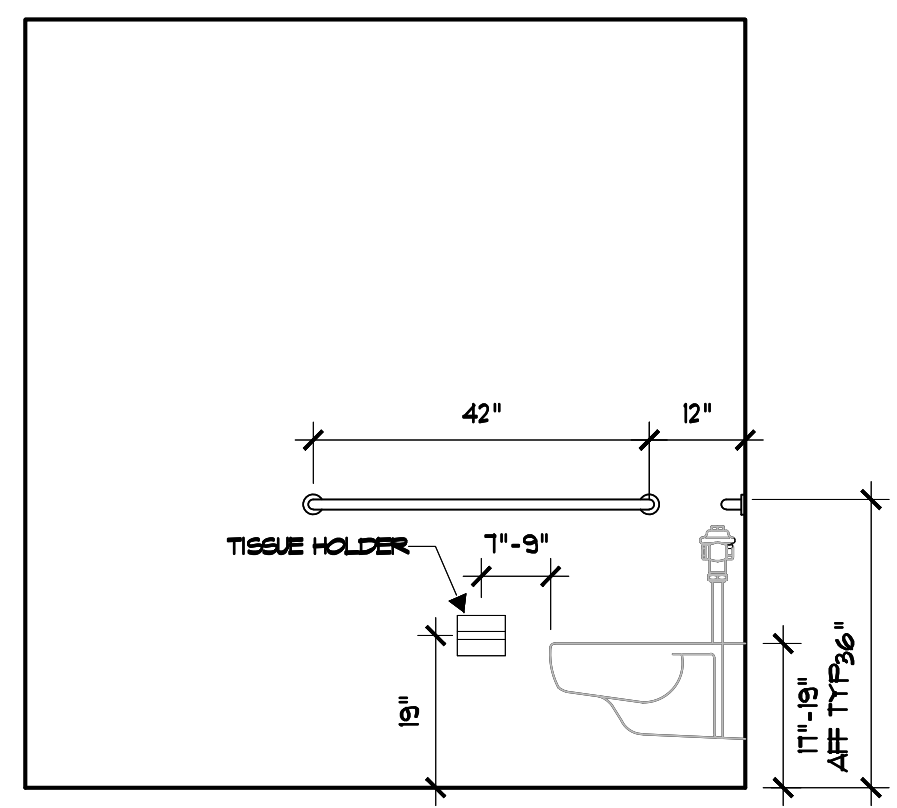
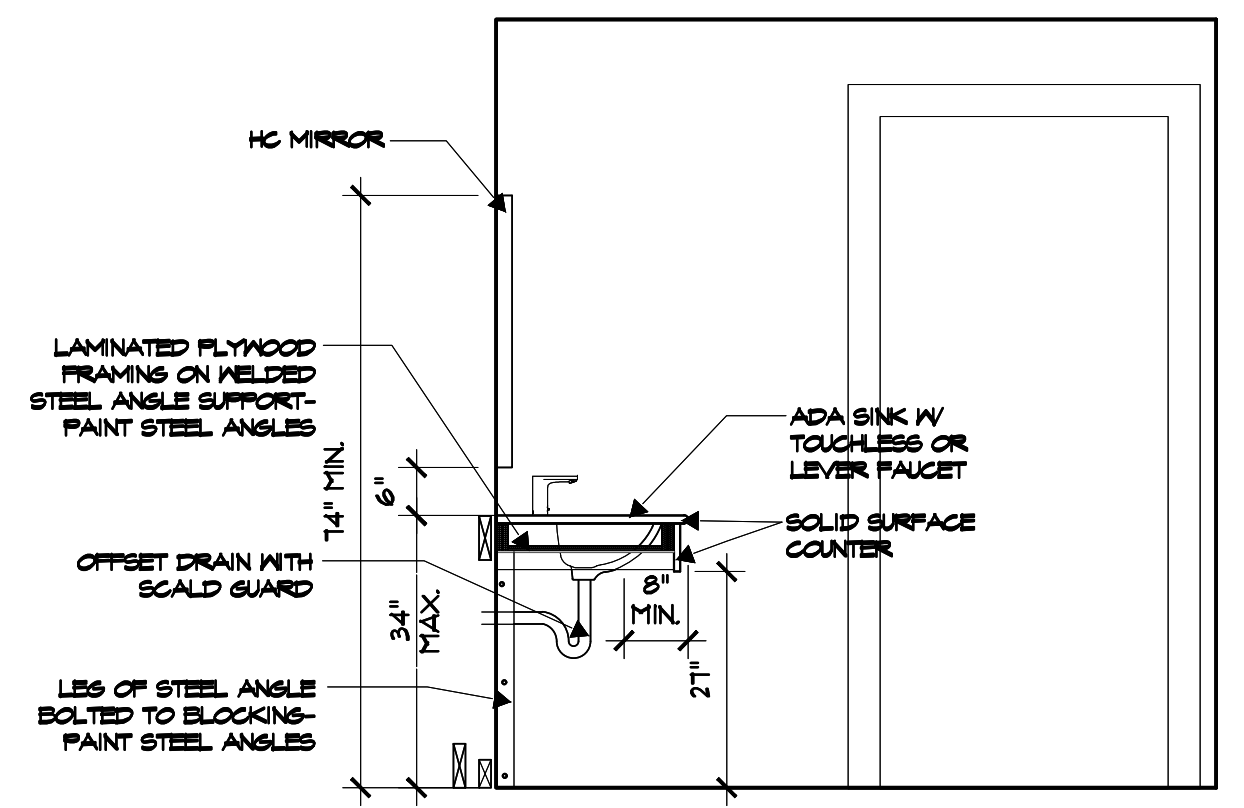
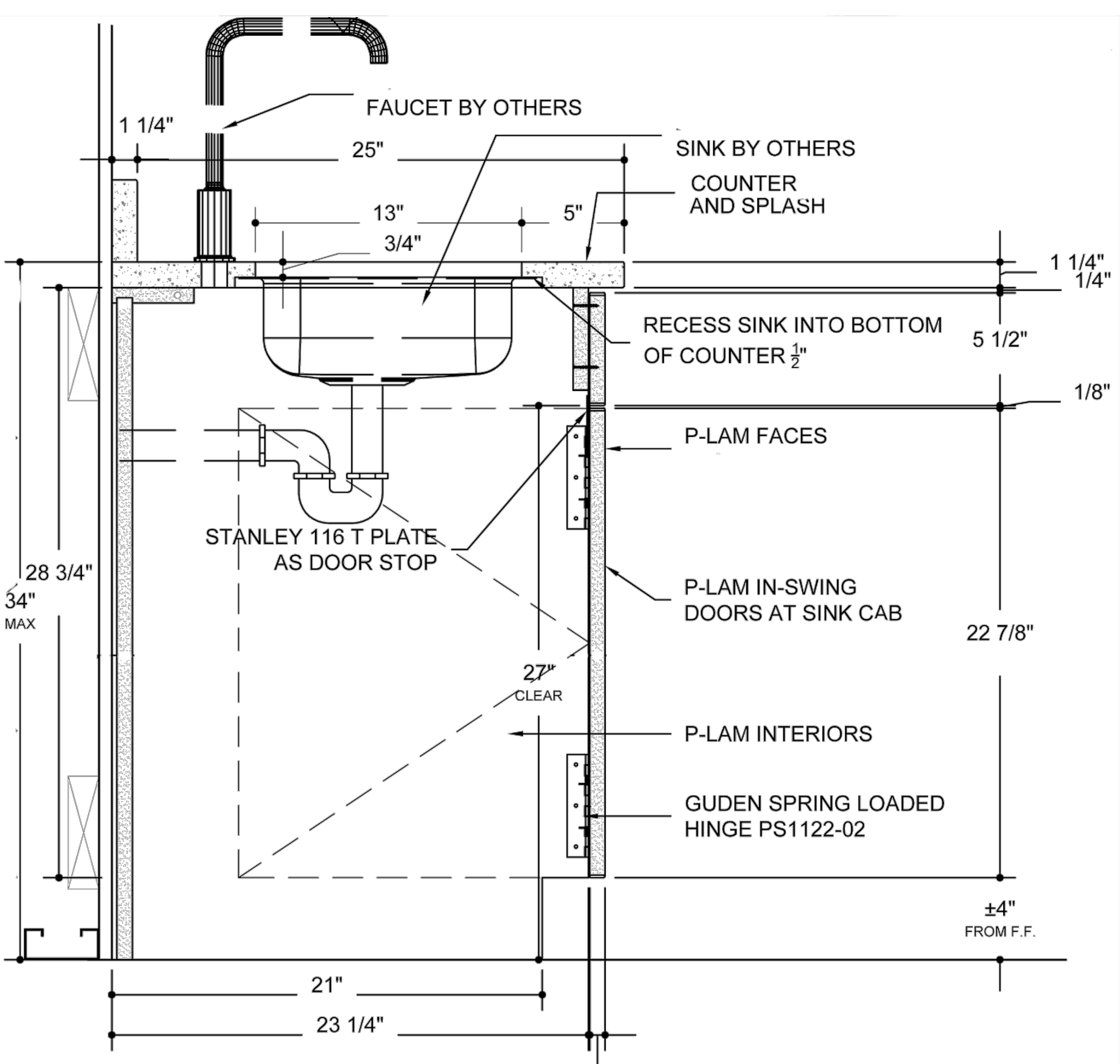
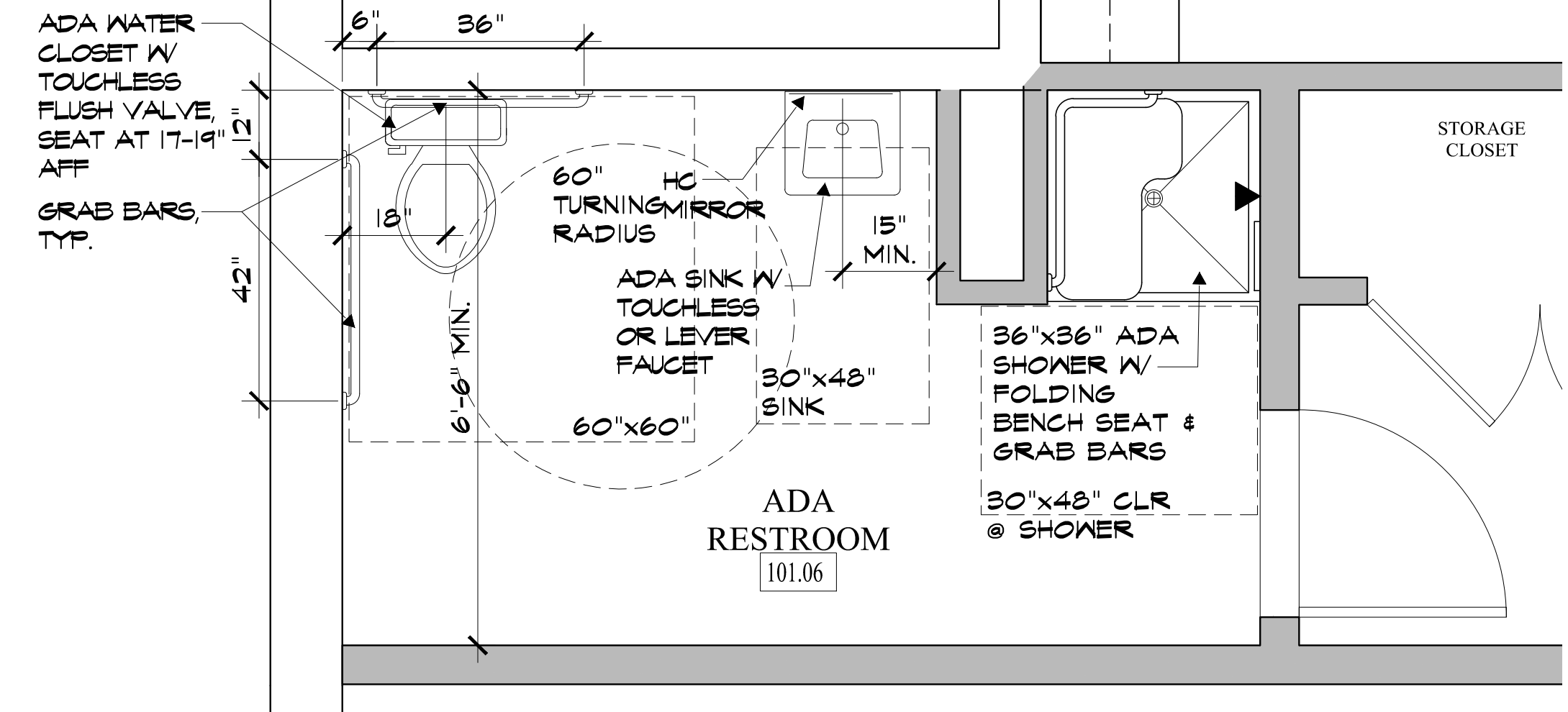


**LIGHTING LEGEND**

- A 6" RECESSED LED DOWNLIGHT, CLEAR REFLECTOR W/ WHITE TRIM  
PRESCOLITE: LF6LEDG4-6LFLEDG4-35K-WT
- B DECORATIVE WALL SCOSNE
- C 2x2 LED RECESSED GRID FIXTURE, ANGLED NARROW RAIL  
FINELITE: HPR-LED-ANR-2X2-DCO-SO-3500K-120V-SC-C1
- D 6" INDIRECT / DIRECT 2" APERTURE LED FIXTURE CEILING SUSPENDED  
FINELITE: HP-2-ID-6-S-S-835-TG-F-96LG-120V-SC-FA-FE-C4  
MOUNT 9" AFF TO BOT. OF FIXTURE
- E 8" INDIRECT / DIRECT 2" APERTURE LED FIXTURE CEILING SUSPENDED  
FINELITE: HP-2-ID-8-S-S-835-TG-F-96LG-120V-SC-FA-FE-C4  
MOUNT 10" AFF TO BOT. OF FIXTURE
- F 4" DIRECT 2" APERTURE LED FIXTURE WALL MOUNTED  
FINELITE: HP-2-WMD-4-S-835-F-120V-SC
- G MINI DECORATIVE ARCHITECTURAL SUSPENDED DOWNLIGHT, 7" AFF
- H DECORATIVE ARCHITECTURAL SUSPENDED DOWNLIGHT, 8" AFF
- I ARCHITECTURAL TRACK LIGHTING
- J 6" RECESSED LED DOWNLIGHT, WET LOCATION W/ WHITE TRIM  
PRESCOLITE: LC6LED-120-6LCLD5-40K-8-WH-WT
- K 4" LED LENSED STRIPLIGHT  
COLUMBIA LIGHTING: LCL-4-40-LW-E-U
- L 2" LED LENSED STRIPLIGHT  
COLUMBIA LIGHTING: LCL-2-40-LW-E-U
- M 24" UNDERCABINET LIGHT W/ ROCKER SWITCH NOVO TASK'  
PRIMA LIGHTING: S5T24-WH-30K
- N 4" RECESSED LED DOWNLIGHT, CLEAR REFLECTOR W/ WHITE TRIM  
PRESCOLITE: LF4SL-DM1-347V-LV-4LPSL-11L-35K-SP-WH-WT
- O 10" INDIRECT / DIRECT 2" APERTURE LED FIXTURE CEILING SUSPENDED  
FINELITE: HP-2-ID-10-S-S-835-TG-F-96LG-120V-SC-FA-FE-C4 - DIMMABLE  
MOUNT 8" AFF TO BOT. OF FIXTURE

**CEILING LEGEND**

- ACT-1 ARMSTRONG DUNE LAY IN 15'16"  
SUPRAFINE XL 24"x24" 15'16" GRID WHITE
- ACT-2 ARMSTRONG DUNE TEGULAR 15'16"  
SUPRAFINE XL 24"x48" 15'16" GRID WHITE
- ACT-2 ARMSTRONG CANYON BEVELED 9'16"  
SUPRAFINE XL 24"x24" 9'16" GRID WHITE
- GWB PAINTED GWB CEILING



MARK L. MUELLER ARCHITECTS  
A.I.A.  
100 Commercial Street  
Suite 205  
Portland, Maine 04101  
Phone: 207.774.9057  
Email: rfi@muellerarchitects.com

HEBERT CONSTRUCTION  
62 INDIA STREET  
PORTLAND, MAINE 04101

TENANT FIT-UP FOR:  
REFLECTED CEILING PLAN  
& ADA RESTROOMS

REVISIONS  
DATE  
OCT. 2017  
PROJECT  
INDIA STREET  
DRAWN BY  
MRP  
CHECK BY  
MLM