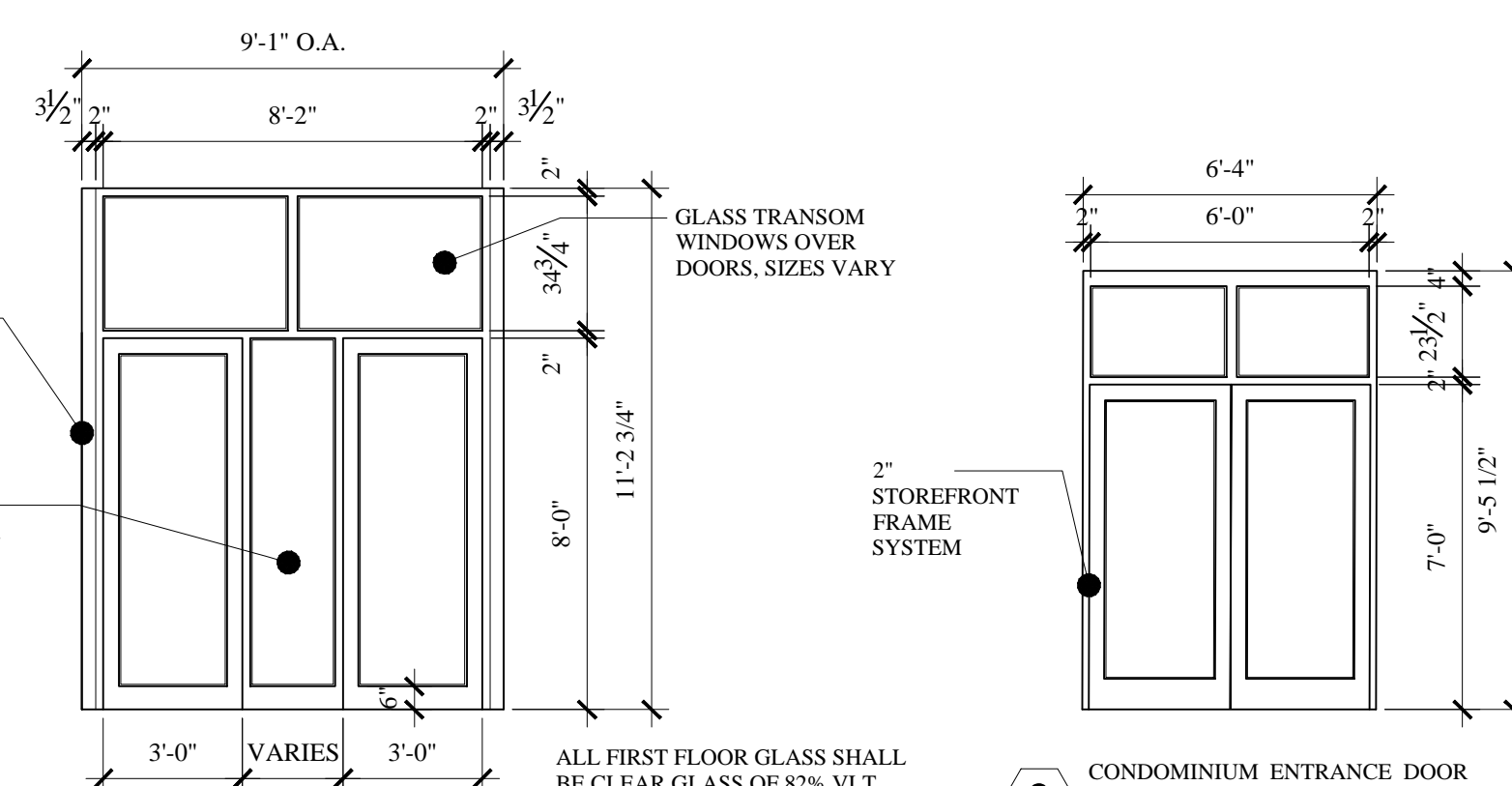
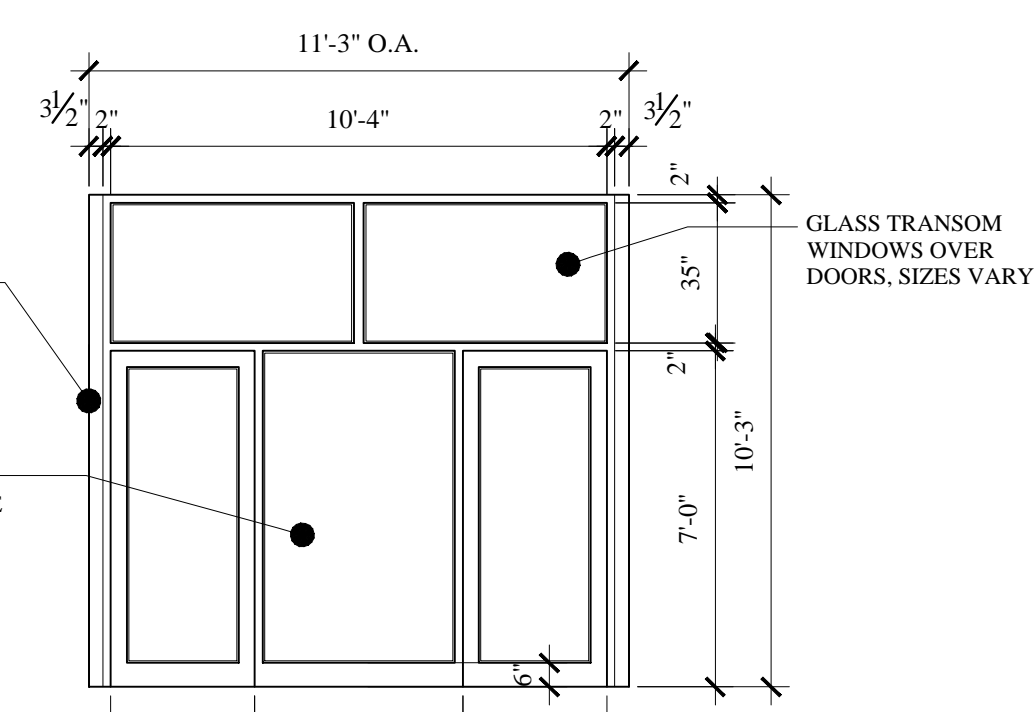
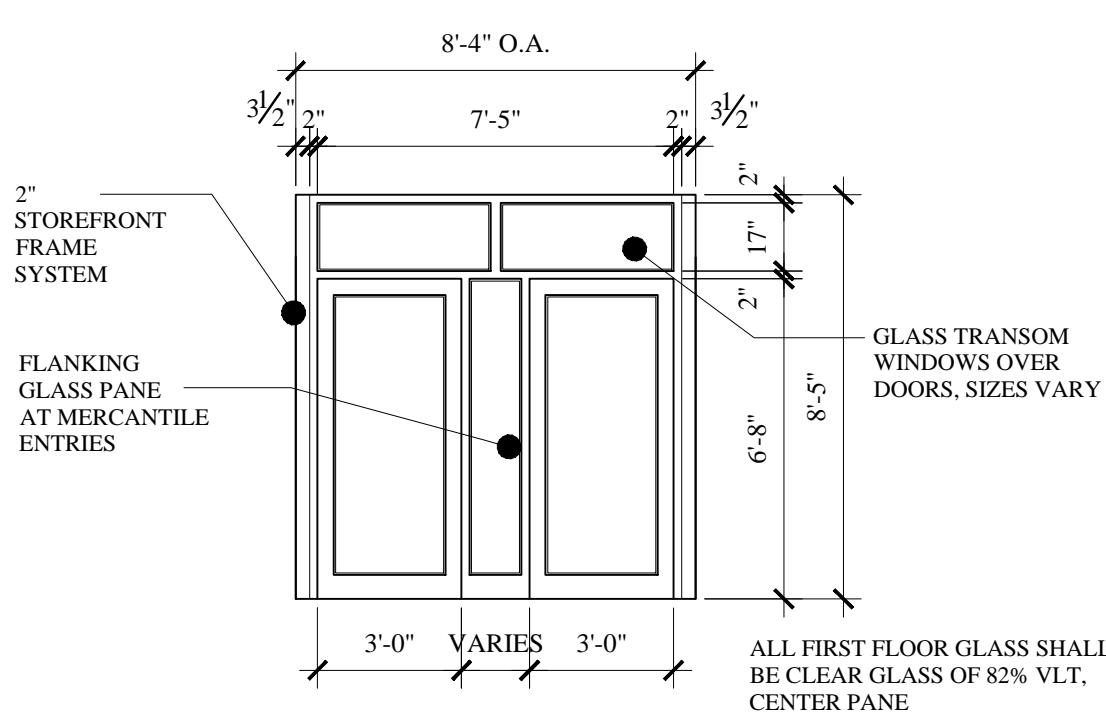


2ND FLOOR DOOR AND FRAME SCHEDULE

NUMBER	TYPE	DOOR SIZE			MATERIAL	GLAZING	FRAME				FIRE RATING	MANUF.	MODEL	HDWR SET	NOTES	
		WD	HGT	THK			MATL	SILL	WALL DEPTH	JAMB						
201.1	11	3'-0"	7'-0"	1 3/4"	WOOD	-	WOOD	-	7'-3 1/4"	-	-	20 MIN.	-	-	-	-
201.2	9	3'-0"	8'-0"	1 3/4"	CLAD	FULL LITE W/CHK RAIL	CLAD	ADA	12'-5 3/8"	-	-	-	PELLA	450 SERIES	-	-
202.1	11	3'-0"	7'-0"	1 3/4"	WOOD	-	WOOD	-	7'-3 1/4"	-	-	20 MIN.	-	-	-	-
202.2	9	3'-0"	8'-0"	1 3/4"	CLAD	FULL LITE W/CHK RAIL	CLAD	ADA	12'-5 3/8"	-	-	-	PELLA	450 SERIES	-	-
203.1	11	3'-0"	7'-0"	1 3/4"	WOOD	-	WOOD	-	7'-3 1/4"	-	-	20 MIN.	-	-	-	-
203.2	9	3'-0"	8'-0"	1 3/4"	CLAD	FULL LITE W/CHK RAIL	CLAD	ADA	12'-5 3/8"	-	-	-	PELLA	450 SERIES	-	-
204.1	11	3'-0"	7'-0"	1 3/4"	WOOD	-	WOOD	-	7'-3 1/4"	-	-	20 MIN.	-	-	-	-
204.2	9	3'-0"	8'-0"	1 3/4"	CLAD	FULL LITE W/CHK RAIL	CLAD	ADA	12'-5 3/8"	-	-	-	PELLA	450 SERIES	-	-
205.1	11	3'-0"	7'-0"	1 3/4"	WOOD	-	WOOD	-	7'-3 1/4"	-	-	20 MIN.	-	-	-	-
205.2	7	6'-0"	8'-0"	1 3/4"	CLAD	FULL LITE	CLAD	ADA	7'-1 1/4"	-	-	-	PELLA	450 SERIES	-	-
206.1	11	3'-0"	7'-0"	1 3/4"	WOOD	-	WOOD	-	7'-3 1/4"	-	-	20 MIN.	-	-	-	-
206.2	9	3'-0"	8'-0"	1 3/4"	CLAD	FULL LITE W/CHK RAIL	CLAD	ADA	7'-1 1/4"	-	-	-	PELLA	450 SERIES	-	-
207.1	11	3'-0"	7'-0"	1 3/4"	WOOD	-	WOOD	-	7'-3 1/4"	-	-	20 MIN.	-	-	-	-
207.2	9	3'-0"	8'-0"	1 3/4"	CLAD	FULL LITE W/CHK RAIL	CLAD	ADA	7'-1 1/4"	-	-	-	PELLA	450 SERIES	-	-
208.1	11	3'-0"	7'-0"	1 3/4"	WOOD	-	WOOD	-	7'-1 1/4"	-	-	20 MIN.	-	-	-	-
208.2	9	3'-0"	8'-0"	1 3/4"	CLAD	FULL LITE W/CHK RAIL	CLAD	ADA	7'-1 1/4"	-	-	-	PELLA	450 SERIES	-	-
208.3	9	3'-0"	8'-0"	1 3/4"	CLAD	FULL LITE W/CHK RAIL	CLAD	ADA	12'-5 3/8"	-	-	-	PELLA	450 SERIES	-	-
209.1	11	3'-0"	7'-0"	1 3/4"	WOOD	-	WOOD	-	7'-3 1/4"	-	-	20 MIN.	-	-	-	-
209.2	9	3'-0"	8'-0"	1 3/4"	CLAD	FULL LITE W/CHK RAIL	CLAD	ADA	12'-5 3/8"	-	-	-	PELLA	450 SERIES	-	-
210.1	16	3'-0"	7'-0"	1 3/4"	WOOD	-	METAL	-	11"	-	-	90 MIN.	-	-	-	-
210.2	16	3'-0"	7'-0"	1 3/4"	WOOD	-	METAL	-	11"	-	-	90 MIN.	-	-	-	-
211.1	11	3'-0"	7'-0"	1 3/4"	WOOD	-	WOOD	-	7'-3 1/4"	-	-	45 MIN.	-	-	-	-
211.2	6.1	3'-0"	7'-0"	1 3/4"	METAL	FULL LITE W/RAIL	METAL	ADA	7'-3 1/4"	-	-	-	-	-	-	-
A.1	12	3'-0"	6'-8"	1 3/8"	WOOD	-	WOOD	-	6'-3 1/4"	-	-	-	-	RU HW 1 & 2	SWING DOOR	-
A.2	12	2'-8"	6'-8"	1 3/8"	WOOD	-	WOOD	-	6'-3 1/4"	-	-	-	-	RU HW 2	SWING DOOR	-
A.3	12	2'-6"	6'-8"	1 3/8"	WOOD	-	WOOD	-	6'-3 1/4"	-	-	-	-	RU HW 2	SWING DOOR	-
A.4	12	2'-0"	6'-8"	1 3/8"	WOOD	-	WOOD	-	6'-3 1/4"	-	-	-	-	RU HW 2	SWING DOOR	-
A.5	12	1'-8"	6'-8"	1 3/8"	WOOD	-	WOOD	-	6'-3 1/4"	-	-	-	-	RU HW 2	SWING DOOR	-
A.6	12	1'-6"	6'-8"	1 3/8"	WOOD	-	WOOD	-	6'-3 1/4"	-	-	-	-	RU HW 2	SWING DOOR - FUTURE DESIGNATION	-
A.7	12	1'-2"	6'-8"	1 3/8"	WOOD	-	WOOD	-	6'-3 1/4"	-	-	-	-	RU HW 2	SWING DOOR	-
A.8	12	2'-4"	6'-8"	1 3/8"	WOOD	-	WOOD	-	6'-3 1/4"	-	-	-	-	RU HW 2	SWING DOOR	-
A.9	14	3'-0"	6'-8"	1 3/4"	WOOD	-	WOOD	-	6'-3 1/4"	-	-	-	-	RU HW 1 & 2	SWING DOOR	-
B.1	13	4'-0"	6'-8"	1 3/8"	WOOD	-	WOOD	-	6'-3 1/4"	-	-	-	-	RU HW 3	SWING DOOR	-
B.2	13	5'-0"	6'-8"	1 3/8"	WOOD	-	WOOD	-	6'-3 1/4"	-	-	-	-	RU HW 3	DOUBLE DOOR	-
B.3	13	3'-0"	6'-8"	1 3/8"	WOOD	-	WOOD	-	6'-3 1/4"	-	-	-	-	RU HW 3	DOUBLE DOOR	-
B.4	13	6'-0"	6'-8"	1 3/8"	WOOD	-	WOOD	-	6'-3 1/4"	-	-	-	-	RU HW 3	DOUBLE DOOR - FUTURE DESIGNATION	-
C.1	12	2'-8"	6'-8"	1 3/8"	WOOD	-	WOOD	-	6'-3 1/4"	-	-	-	-	RU HW 4	SINGLE POCKET DOOR	-
C.2	13	4'-0"	6'-8"	1 3/8"	WOOD	-	WOOD	-	6'-3 1/4"	-	-	-	-	RU HW 5	DOUBLE POCKET DOOR - FUTURE DESIGNATION	-
C.3	13	6'-0"	6'-8"	1 3/8"	WOOD	-	WOOD	-	6'-3 1/4"	-	-	-	-	RU HW 5	SINGLE POCKET DOOR - FUTURE DESIGNATION	-
C.4	12	3'-0"	6'-8"	1 3/8"	WOOD	-	WOOD	-	6'-3 1/4"	-	-	-	-	RU HW 4	DOUBLE POCKET DOOR	-
C.5	13	5'-0"	6'-8"	1 3/8"	WOOD	-	WOOD	-	6'-3 1/4"	-	-	-	-	RU HW 5	DOUBLE POCKET DOOR	-
D.1	13	5'-0"	6'-8"	1 3/8"	WOOD	-	WOOD	-	6'-3 1/4"	-	-	-	-	RU HW 6	SLIDING DOOR - FUTURE DESIGNATION	-
D.2	13	6'-0"	6'-8"	1 3/8"	WOOD	-	WOOD	-	6'-3 1/4"	-	-	-	-	RU HW 6	SLIDING DOOR	-
D.3	13	4'-0"	6'-8"	1 3/8"	WOOD	-	WOOD	-	6'-3 1/4"	-	-	-	-	RU HW 6	SLIDING DOOR	-

DOORS



1.1 MERCANTILE EXTERIOR DOORS
ALUMINUM STOREFRONT
DARK GRAY FRAME COLOR

1.2 MERCANTILE EXTERIOR DOORS
ALUMINUM STOREFRONT
DARK GRAY FRAME COLOR

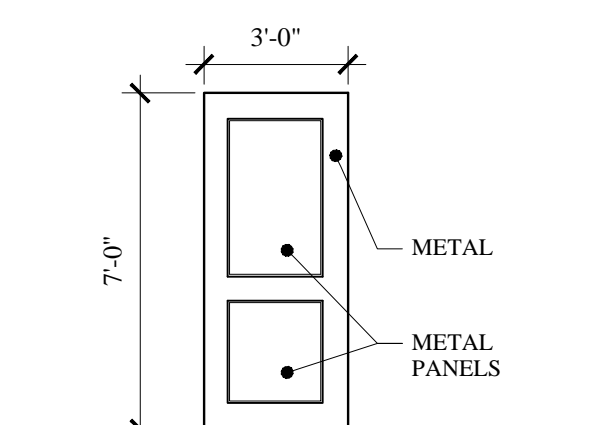
1.3 MERCANTILE EXTERIOR DOORS
ALUMINUM STOREFRONT
DARK GRAY FRAME COLOR

2 ALUMINUM STOREFRONT
DARK GRAY FRAME COLOR

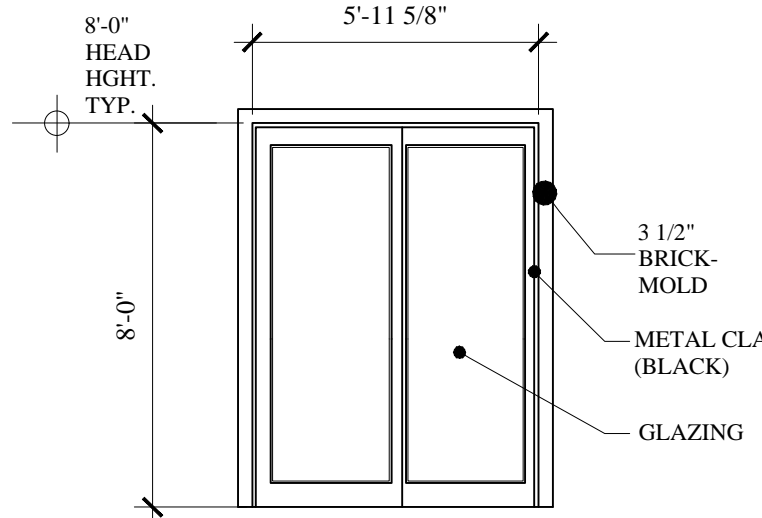
3 EXTERIOR DOOR (INSULATED)
METAL DOOR & FRAME
F.R. PER SCHEDULE

4 EXTERIOR DOOR
METAL DOOR & FRAME
FIRE RATING PER SCHEDULE

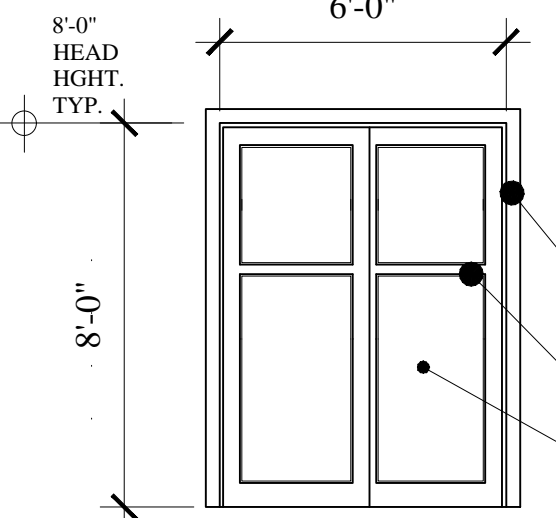
5 INTERIOR DOOR
WOOD DOOR & METAL FRAME
FIRE RATING PER SCHEDULE



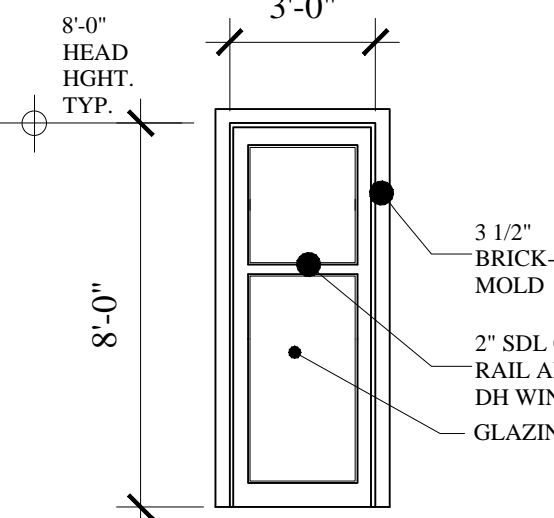
6 EXTERIOR DOOR (INSULATED)
METAL DOOR & FRAME



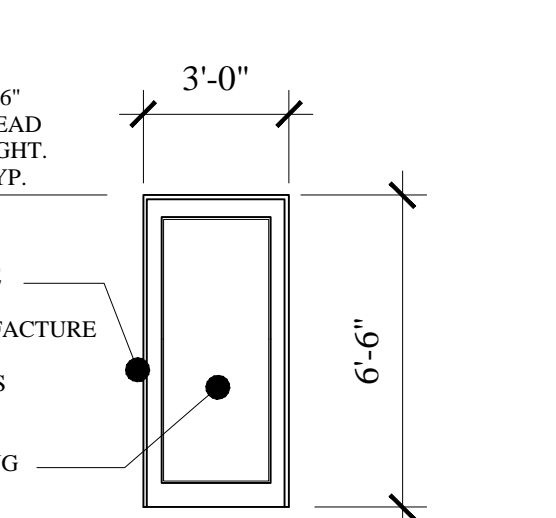
7 EXTERIOR SLIDING DOOR TO DECK
METAL CLAD W/ SCREEN DOOR
AND 'ADA' LOW PROFILE SILL
GLAZING TO MATCH DH
WINDOWS, TYP.



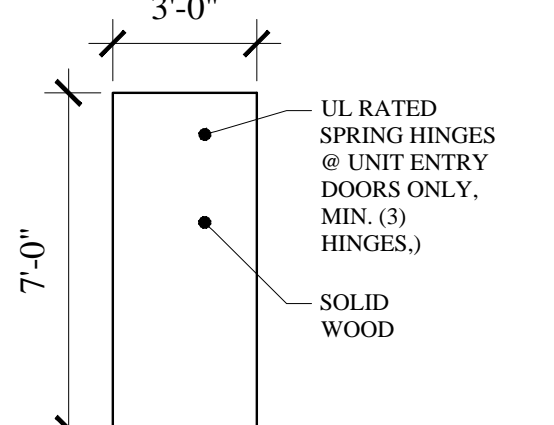
8 EXTERIOR SLIDING DOOR TO DECK
METAL CLAD W/ SCREEN DOOR
AND 'ADA' LOW PROFILE SILL
GLAZING TO MATCH DH
WINDOWS, TYP.



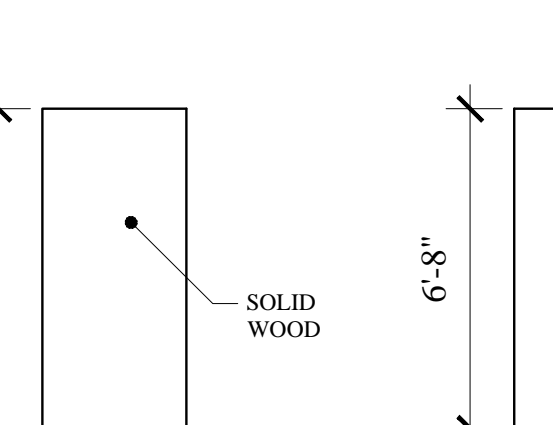
9 EXTERIOR SWING DOOR TO DECK
METAL CLAD W/ SCREEN DOOR
AND 'ADA' LOW PROFILE SILL
GLAZING TO MATCH DH
WINDOWS, TYP.



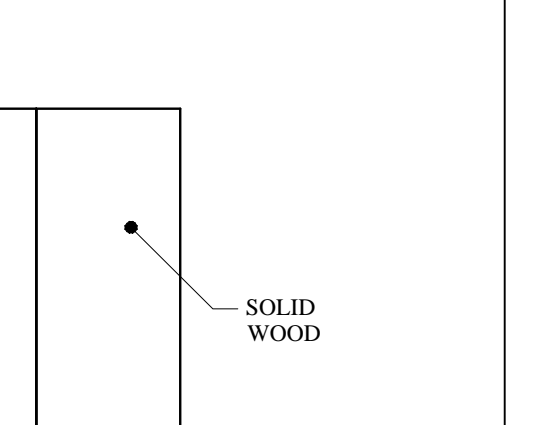
10 EXTERIOR SWING DOOR TO DECK
METAL CLAD
STANDARD PROFILE SILL



11 INTERIOR UNIT ENTRY DOOR
WOOD DOOR - METAL FRAME
FIRE RATING PER SCHEDULE



12 INTERIOR UNIT DOOR
WOOD DOOR



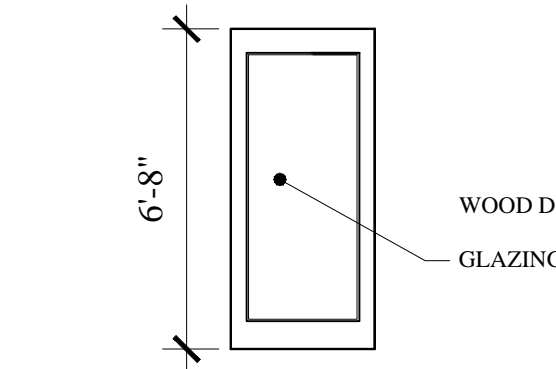
13 INTERIOR DOOR
WOOD DOOR

ALL INTERIOR DOORS WITHIN LIVING UNITS SHALL BE PRE-HUNG WOOD SLABS W/ SOLID WOOD FRAMES

- DOOR HARDWARE:**
- EXTERIOR 1: STAINLESS STEEL APPLICATION W/ ELECTRONIC ACCESS CARD READER
 - EXTERIOR 2: STAINLESS STEEL APPLICATION W/ THUMB LATCH
 - EXTERIOR 3: BRUSHED NICKEL LEVER HARDWARE W/ THUMB LATCH
 - EXTERIOR 4: BRUSHED NICKEL LEVER HARDWARE W/ ELECTRONIC ACCESS CARD READER & PANIC HARDWARE @ INTERIOR
 - EXTERIOR 5: BRUSHED NICKEL LEVER HARDWARE KEYED (HOUSE MASTER)
 - EXTERIOR 6: BRUSHED NICKEL LEVER HARDWARE W/ ELECTRONIC ACCESS CARD READER
 - INTERIOR 1: BRUSHED NICKEL LEVER HARDWARE PRIVACY SET
 - INTERIOR 2: BRUSHED NICKEL LEVER HARDWARE PASSAGE
 - INTERIOR 3: BRUSHED NICKEL LEVER HARDWARE KEYED (HOUSE MASTER)
 - INTERIOR 4: BRUSHED NICKEL LEVER HARDWARE KEYED (HOUSE MASTER)
 - INTERIOR 5: BRUSHED NICKEL LEVER HARDWARE (HIS & HERS HARDWARE W/ MAG. HOLD)
 - INTERIOR 6: BRUSHED NICKEL LEVER HARDWARE EXIT

- ALL HARDWARE SHALL BE:**
- COMMERCIAL GRADE @ ALL EXTERIOR, COMMON & ENTRY DOORS
 - STAINLESS STEEL HINGES AT ALL EXTERIOR DOORS
 - SCHLAGE: SERGEANT OR EQUAL
 - 'ADA' LEVER HANDLE
 - RESIDENTIAL GRADE @ INTERIORS
 - MILL FINISHED BRUSHED NICKEL
 - STAINLESS STEEL @ EXTERIOR
 - PROVIDE DOOR STOPS @ ALL INTERIOR UNIT DOORS OPENING INTO OPPOSING WALLS AND WINDOWS

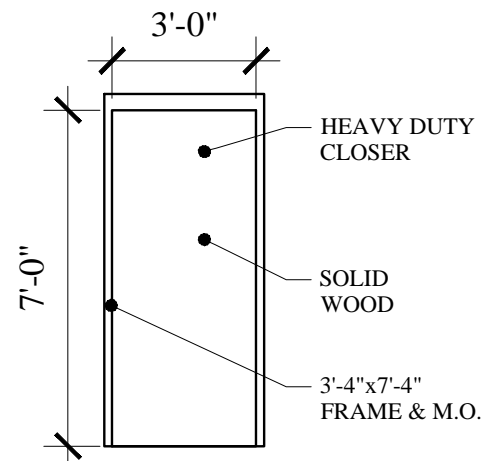
GENERAL CONTRACTOR & DOOR/WINDOW REPRESENTATIVE SHALL CONDUCT AN ON-SITE MEETING FOR REQUIRED INSTALLATION METHODS FOR WARRANTY COMPLIANCE. REPRESENTATIVE SHALL PERFORM FIELD INSPECTION OF INSTALLATIONS & PROVIDE WARRANTY CERTIFICATE.



14 INTERIOR DOOR
WOOD DOOR - FULL LITE

NOT
USED

15 INTERIOR DOOR



16 INTERIOR STAIR DOOR
WOOD DOOR - METAL FRAME
FIRE RATING PER SCHEDULE

1ST FLOOR DOOR AND FRAME SCHEDULE

NUMBER	TYPE	DOOR SIZE			MATERIAL	GLAZING	FRAME				FIRE RATING	MANUF.	MODEL	HDWR SET	NOTES	
		WD	HGT	THK			MATL	SILL	WALL DEPTH	JAMB						
101.1	1.1	8'-5"	8'-6"	1 3/4"	ALUM.	-	ALUM.	-	6'-3 1/4"	4"	-	-	-	-	-	-
101.2	5	3'-0"	7'-0"	1 3/4"	WOOD	-	METAL	-	8'-1 1/2"	-	-	90 MIN.	-	-	-	EXIT DEVICE, LATCH, CLOSER
102.1	1.2	11'-4"	10'-4"	1 3/4"	ALUM.	-	ALUM.	-	6'-3 1/4"	4"	-	-	-	-	-	-
102.2	3	3'-0"	7'-0"	1 3/4"	METAL	-	METAL	-	10'-1 1/4"	-	-	90 MIN.	-	-	-	-
103.1	1	9'-2"	11'-3 3/4"	1 3/4"	ALUM.	-	ALUM.	-	6'-3 1/4"	4"	-	-	-	-	-	-
103.2	3	3'-0"	7'-0"	1 3/4"	METAL	-	METAL	-	10'-1 1/4"	-	-	90 MIN.	-	-	-	-
104.1	2	6'-5"	9'-6"	1 3/4"	ALUM.	-	ALUM.	-	14'-1 1/8"	-	-	-	-	-	-	POWER OPERATOR W/ ADA ACTUATORS
104.2	5	3'-0"	7'-0"	1 3/4"	WOOD	-	METAL	-	8'-1 1/2"	-	-	90 MIN.	-	-	-	ELECTRIFIED EXIT DEVICE, CLOSER, LATCH, FAIL SAFE ON LIFE SAFETY ACTIVATION, FOB ACCESS FOR RESIDENTS
104.3	5	3'-0"	7'-0"	1 3/4"	WOOD	-	METAL	-	12'-1 1/2"	-	-	90 MIN.	-	-	-	-
104.4	3	3'-0"	7'-0"	1 3/4"	METAL	-	METAL	-	11"	-	-	90 MIN.	-	-	-	ELECTRIFIED EXIT DEVICE, CLOSER, LATCH, FAIL SAFE ON LIFE SAFETY ACTIVATION
104.5	3	3'-0"	7'-0"	1 3/4"	METAL	-	METAL	-	11"	-	-	90 MIN.	-	-	-	-
104.7	5	3'-0"	7'-0"	1 3/4"	WOOD	-	METAL	-	13"	-	-	90 MIN.	-	-	-	-
105.1	4	6'-0"	7'-0"	1 3/4"	METAL	-	METAL	-	12'-1 1/2"	-	-	90 MIN.	-	-	-	-
105.2	3	3'-0"	7'-0"	1 3/4"	METAL	-	METAL	-	7'-3 1/4"	-	-	45 MIN.	-	-	-	-
105.3	3	3'-0"	7'-0"	1 3/4"	METAL	-	METAL	-	7'-3 1/4"	-	-	45 MIN.	-	-	-	-
105.4	3	3'-0"	7'-0"	1 3/4"	METAL	-	METAL	-	8'-1 1/2"	-	-	90 MIN.	-	-	-	-
106.1	-	18'-8"	7'-4"	1 3/4"	METAL	-	METAL	-	3"	-	-	-	-	COOKSON	-	TIGHT INSTALLATION OPERATOR & COIL, POWER, REMOTE ENTRY DEVICE FOR EACH UNIT, AUTO CLOSE
106.2	6	3'-0"	7'-0"	1 3/4"	METAL	-	METAL	-	12'-5 3/8"	-	-	-	-	-	-	-
107.1	5	3'-0"	7'-0"	1 3/4"	METAL	-	METAL	-	6'-3 1/4"	-	-	-	-	-	-	-

DOOR HARDWARE SETS:

- RU HW 1
EXTERIOR UNIT ENTRY (SINGLE RM X RM - RATED)
EACH OPENING SHALL HAVE HINGES, LOCKSET (INTERCONNECTED ENTRY FUNCTION), CLOSER, THRESHOLD, SWEEP, DOOR BOTTOM (IN ADDITION TO SWEEP)
NOTE: KIEPED FRAMES WITH PROMETHEUS WEATHER STRIKE SEALS SPECIFIED IN 08113.
- RU HW 2
EXTERIOR MAIN ENTRY (CLAD COMMERCIAL)
EACH LEAF SHALL HAVE PUSH BAR, ROLL, AUTOMATIC DOOR OPERATOR, PUSH PAD ACTUATORS, KICK PLATE
NOTE: BALANCE OF HARDWARE PROVIDED WITH DOORS SPECIFIED IN SECTION 08140 - EXTERIOR CLAD WOOD DOORS
OPERATION NARRATIVE: DOOR NEVER LOCKED. DOOR OPERATED AS MANUAL PUSH/PULL, OR BY AUTOMATIC DOOR OPERATOR PRESSING INTERIOR OR EXTERIOR PUSH PAD.
- RU HW 3
VESTIBULE MAIN ENTRY (CLAD COMMERCIAL)
EACH LEAF SHALL HAVE REMOTE DEVICE, ELECTRIC STRIKE, POWER SUPPLY, AUTOMATIC DOOR OPERATOR, PUSH PAD ACTU