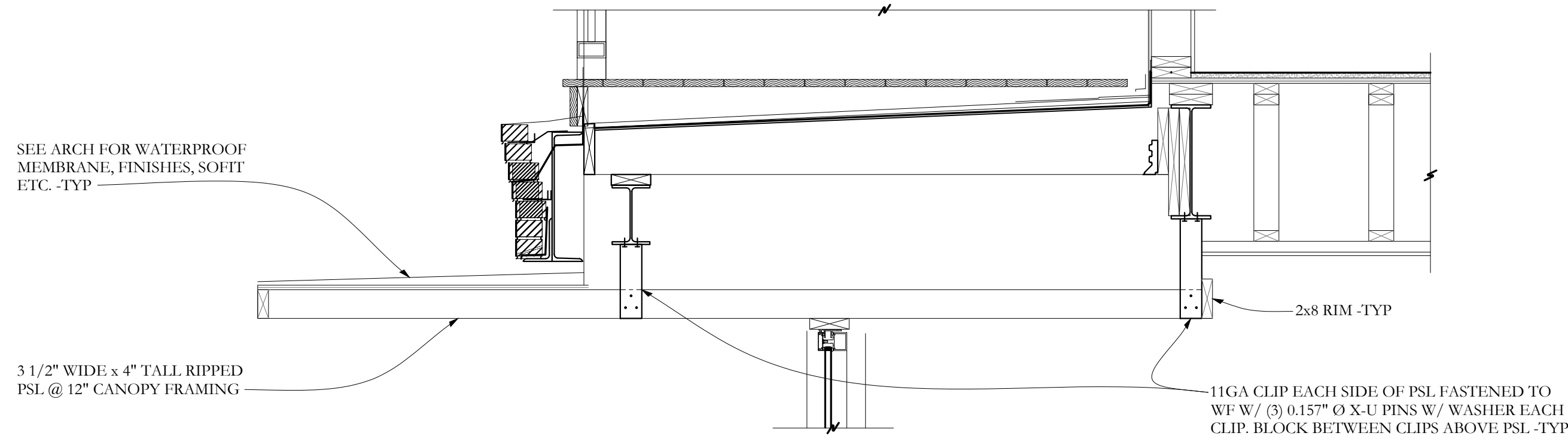
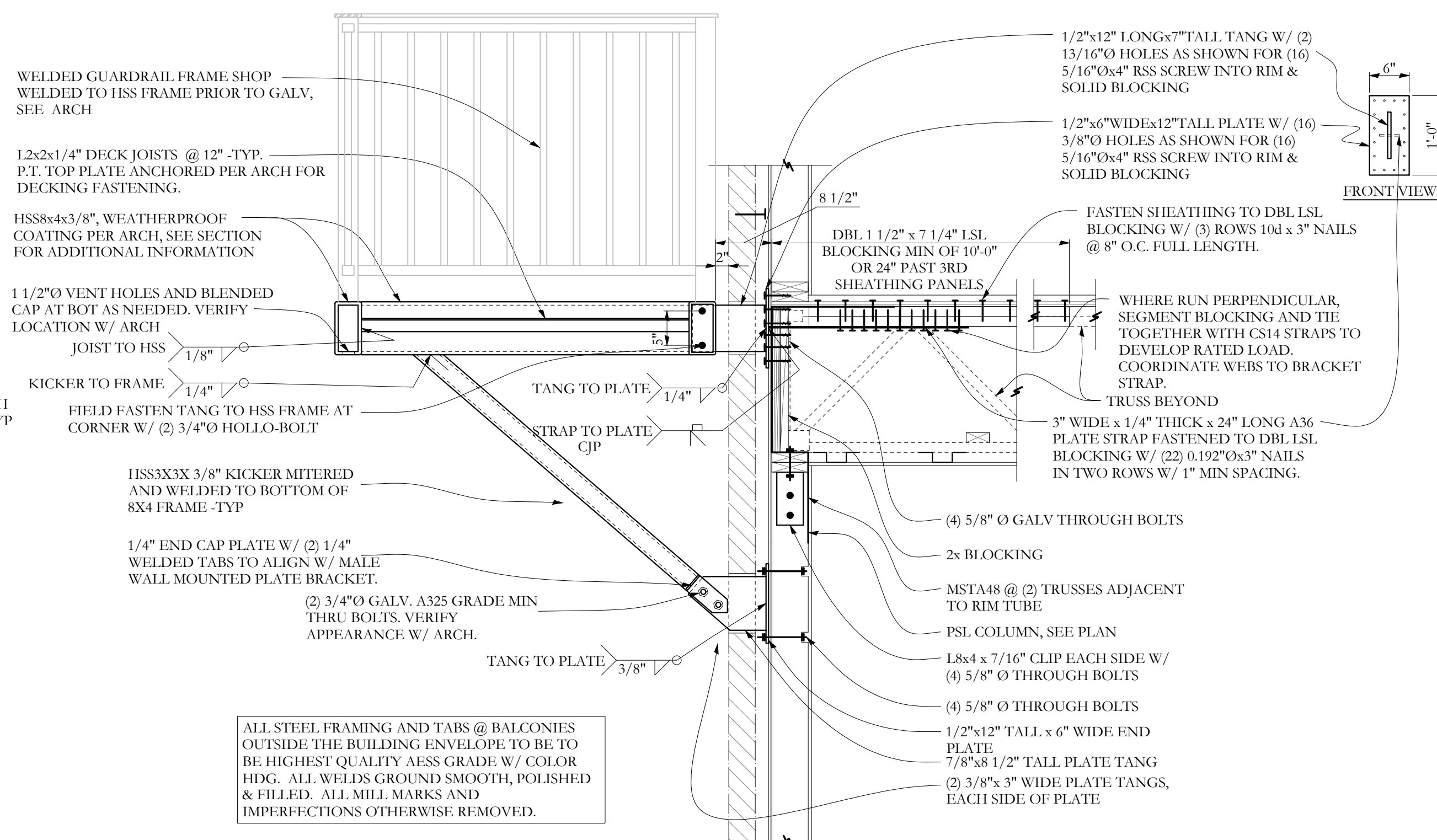


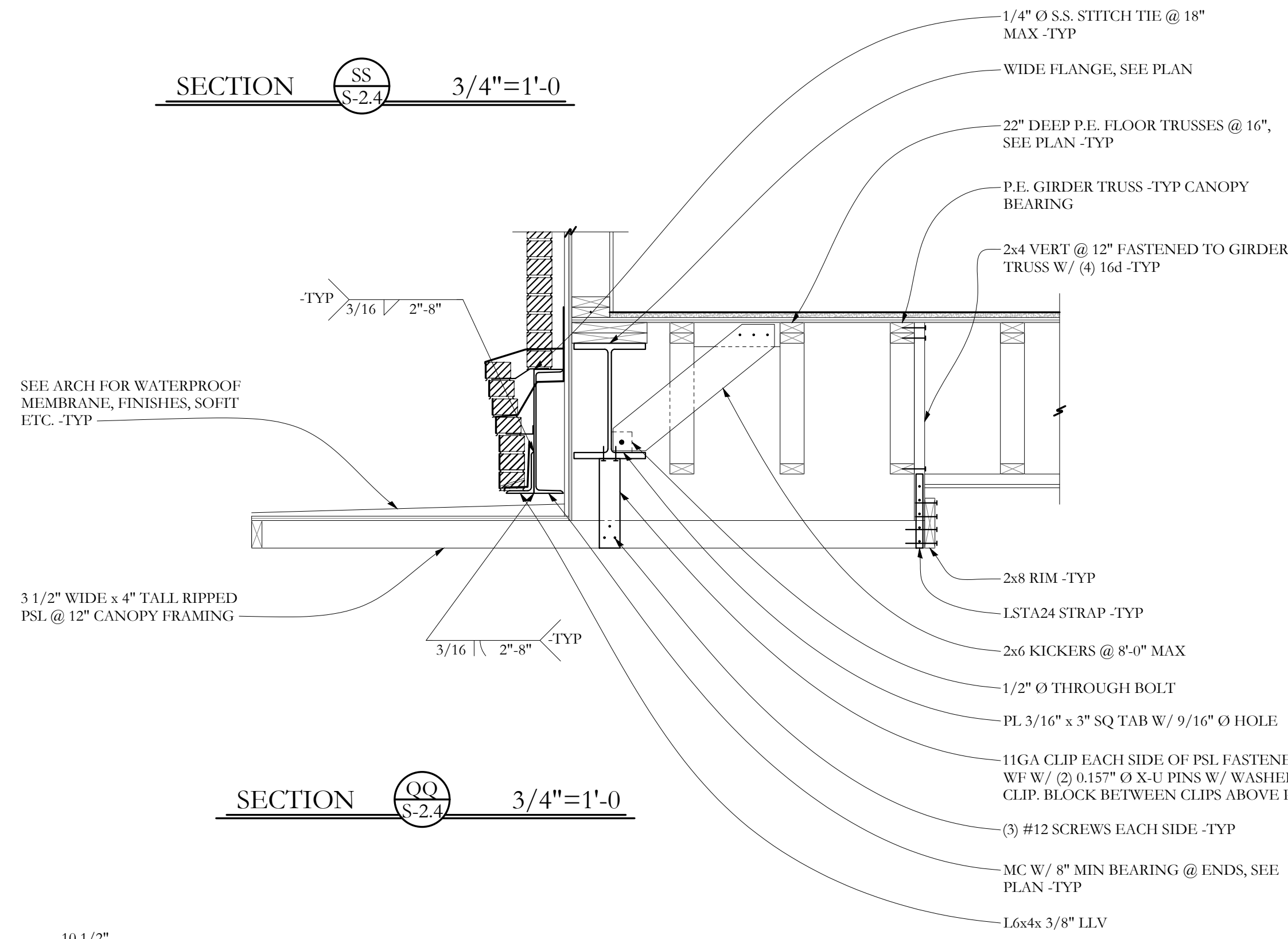
COPYRIGHT: Reuse or reproduction of the contents of this document is not permitted without written permission of Structural Integrity Consulting Engineers, Inc.



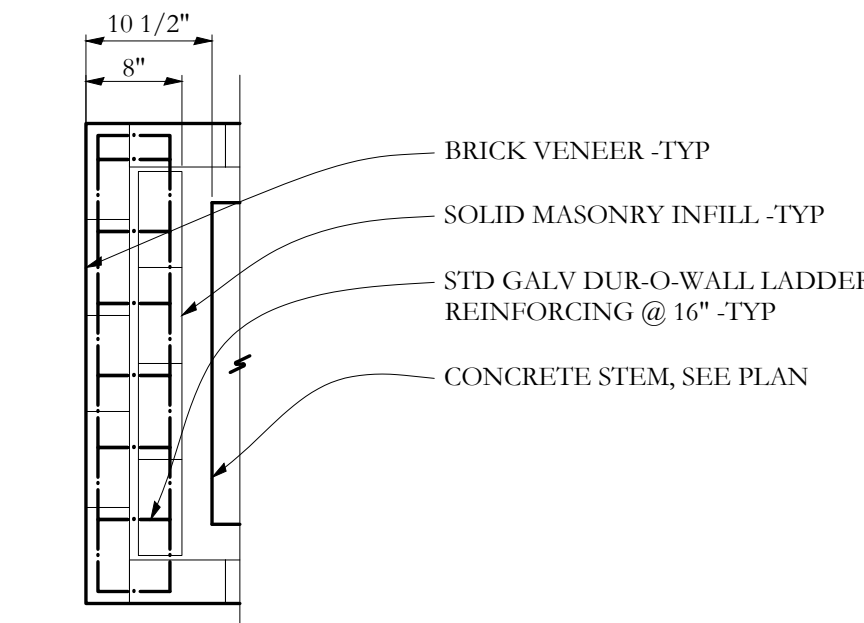
SECTION RR S-2.4 3/4"=1'-0



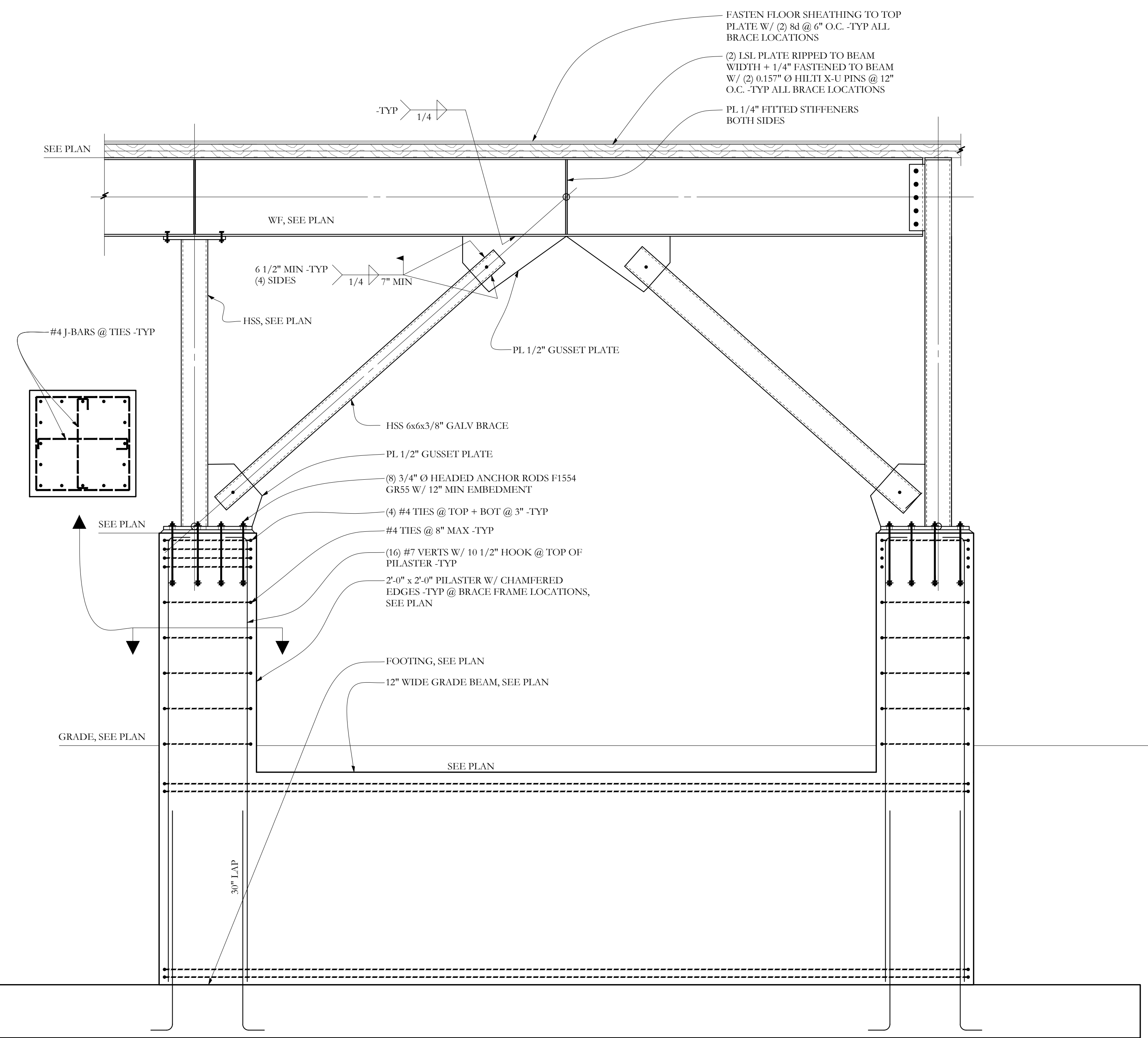
SECTION SS S-2.4 3/4"=1'-0



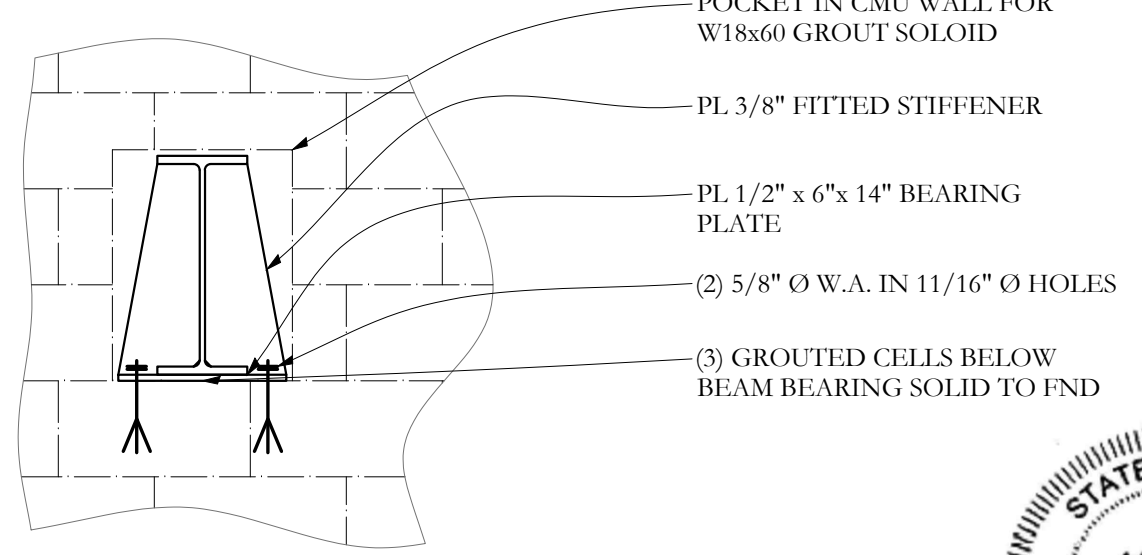
SECTION QQ S-2.4 3/4"=1'-0



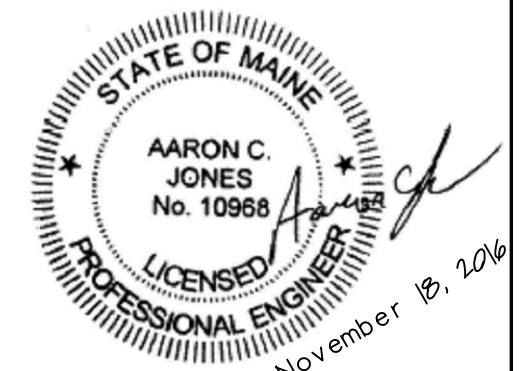
DETAIL NN S-2.4 3/4"=1'-0  
TYPICAL DETAIL @ BRICK VENEER PILASTER



SECTION MM S-2.4 3/4"=1'-0



SECTION PP S-2.4 3/4"=1'-0



77 Oak Street  
 Portland, ME 04101  
 P: 207-774-4614  
 F: 866-793-7835  
 www.structuralintegrity.com  
 BUILD WITH CONFIDENCE  
 © 2016 Structural Integrity Consulting Engineers, Inc.

**Structural Integrity**  
 Consulting Engineers

OWNER  
**INDIA/ NEWBURY RESIDENCES, LLC.**  
 PROJECT NAME  
**62 INDIA ST**  
 Portland, Maine

DRAWN BY  
**JCS**  
 SHEET TITLE  
**SECTIONS**

ISSUE DATE  
**11.18.16**  
 SHEET SCALE  
**3/4"=1'-0"**

**S-2.4**  
 PROJECT NO.  
**16-0022**