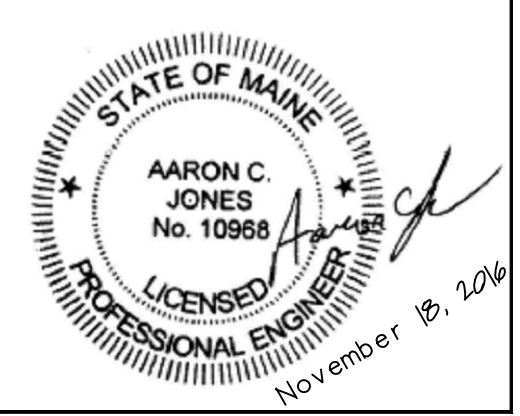
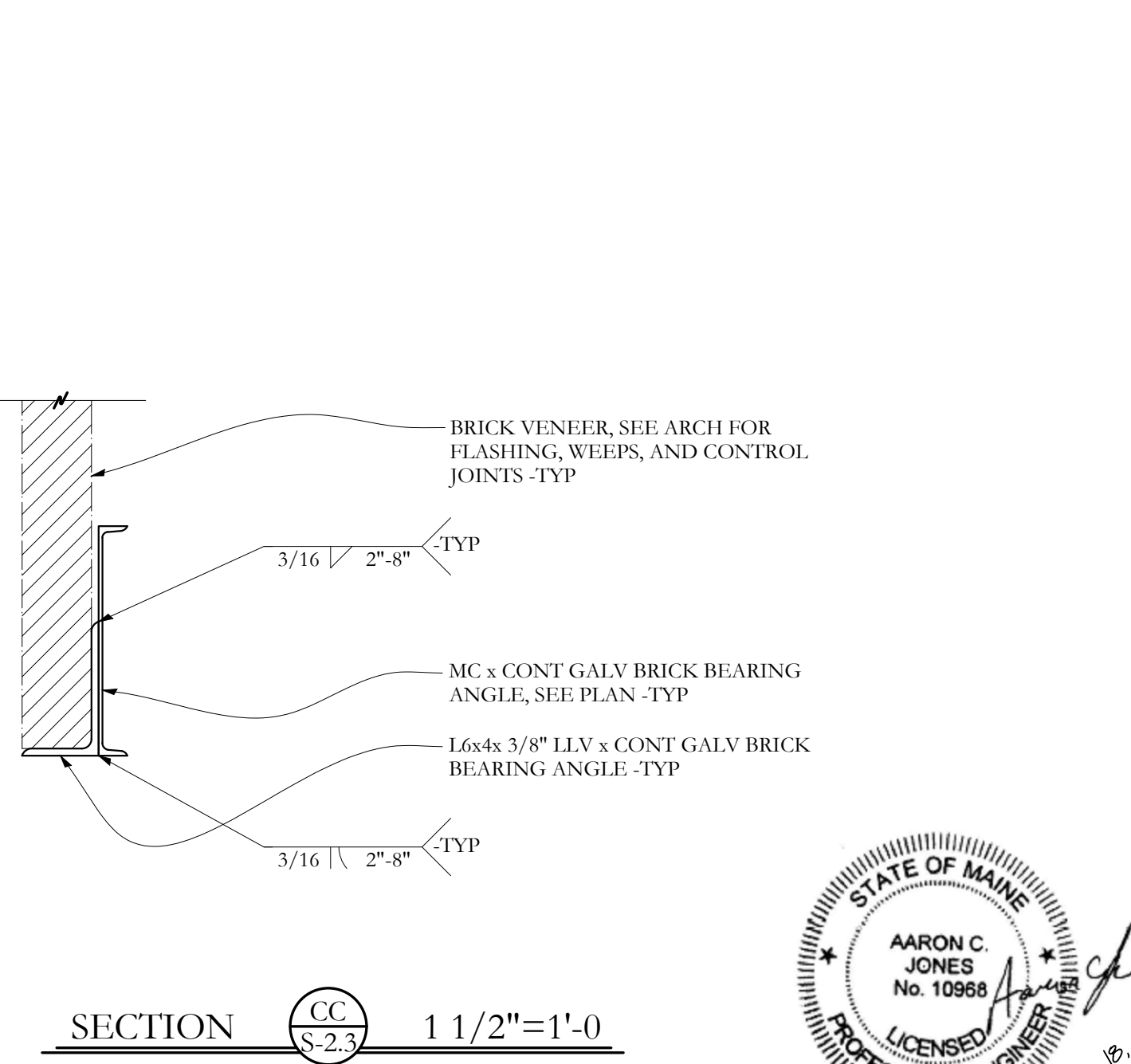
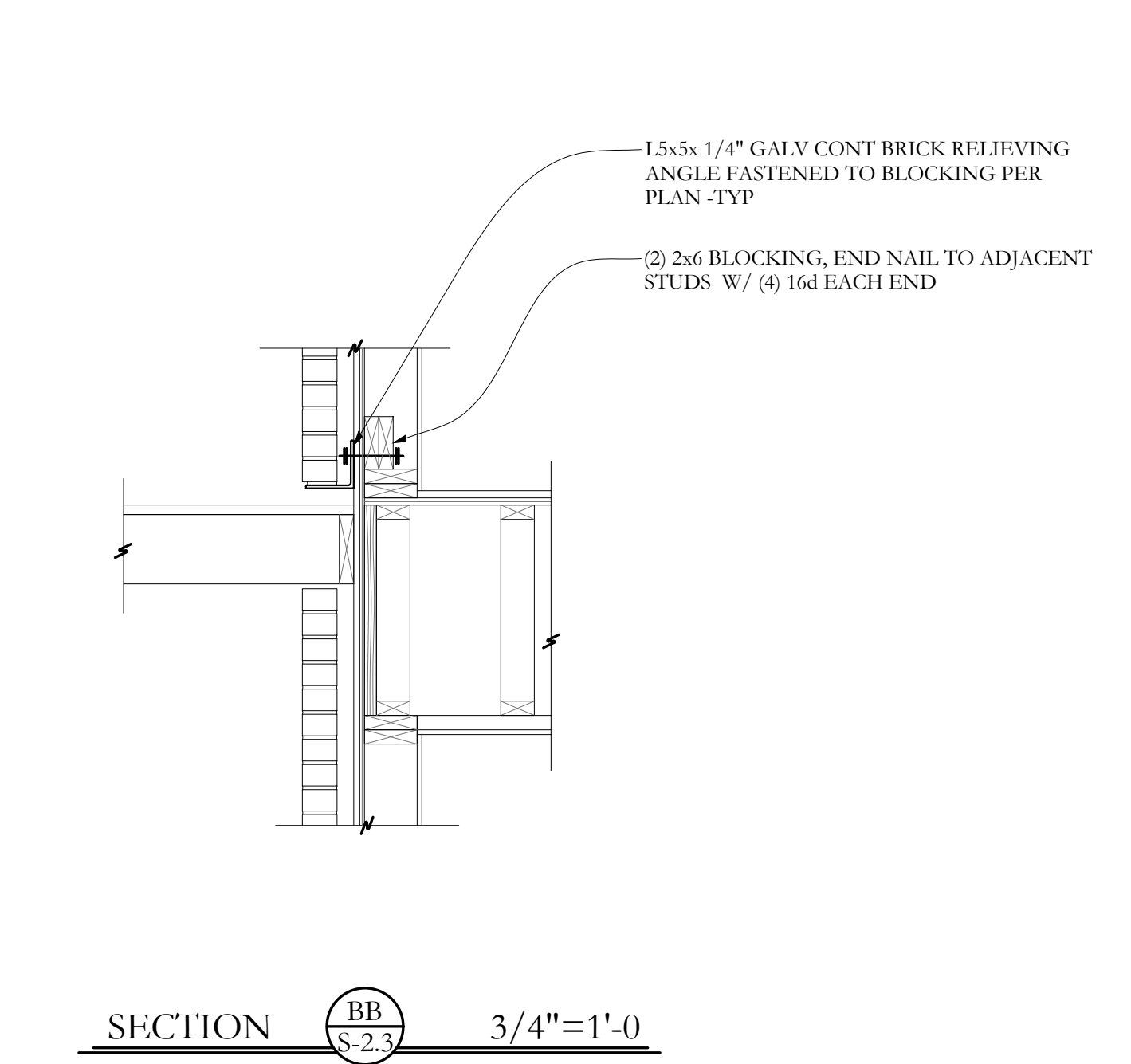
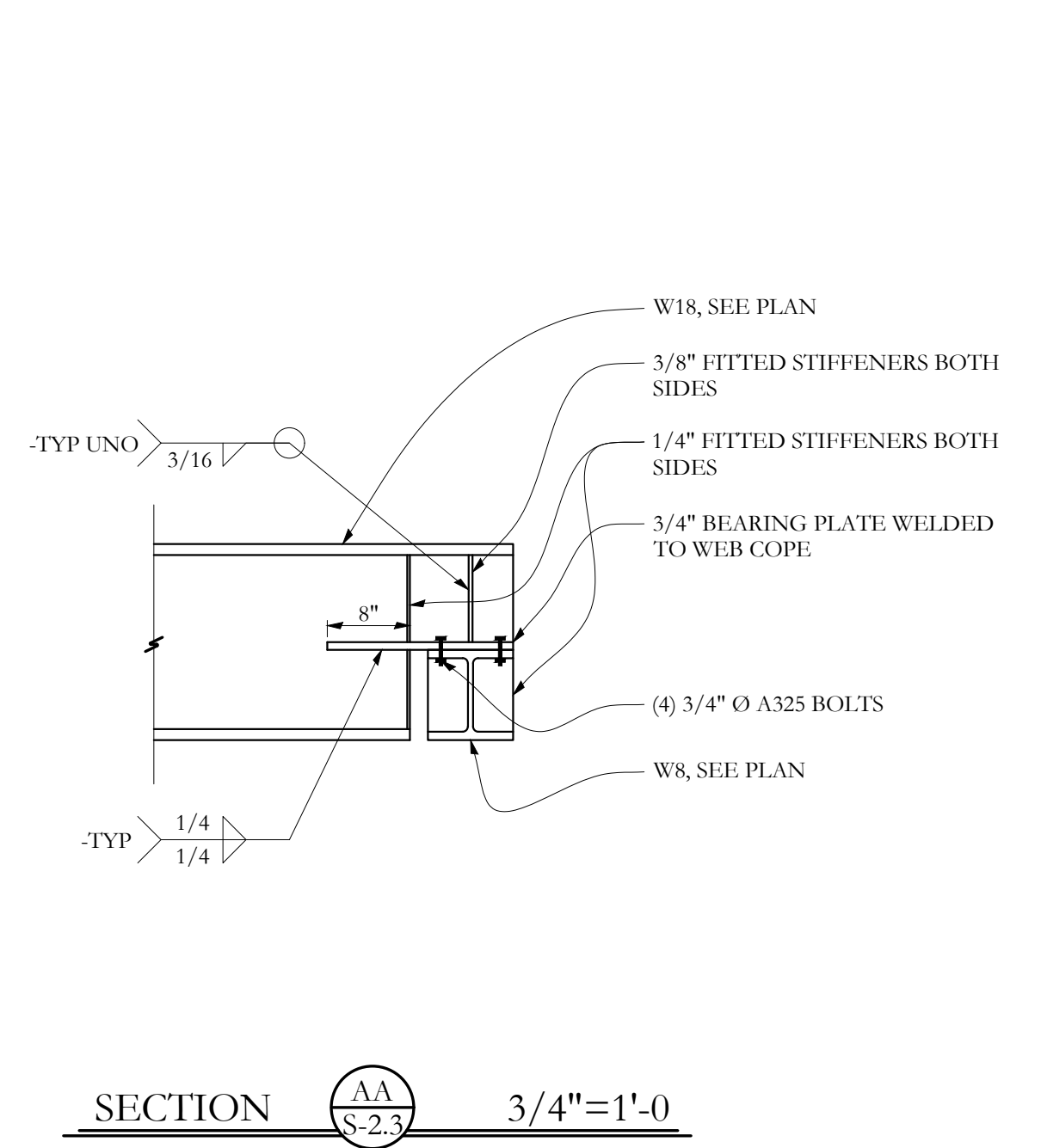
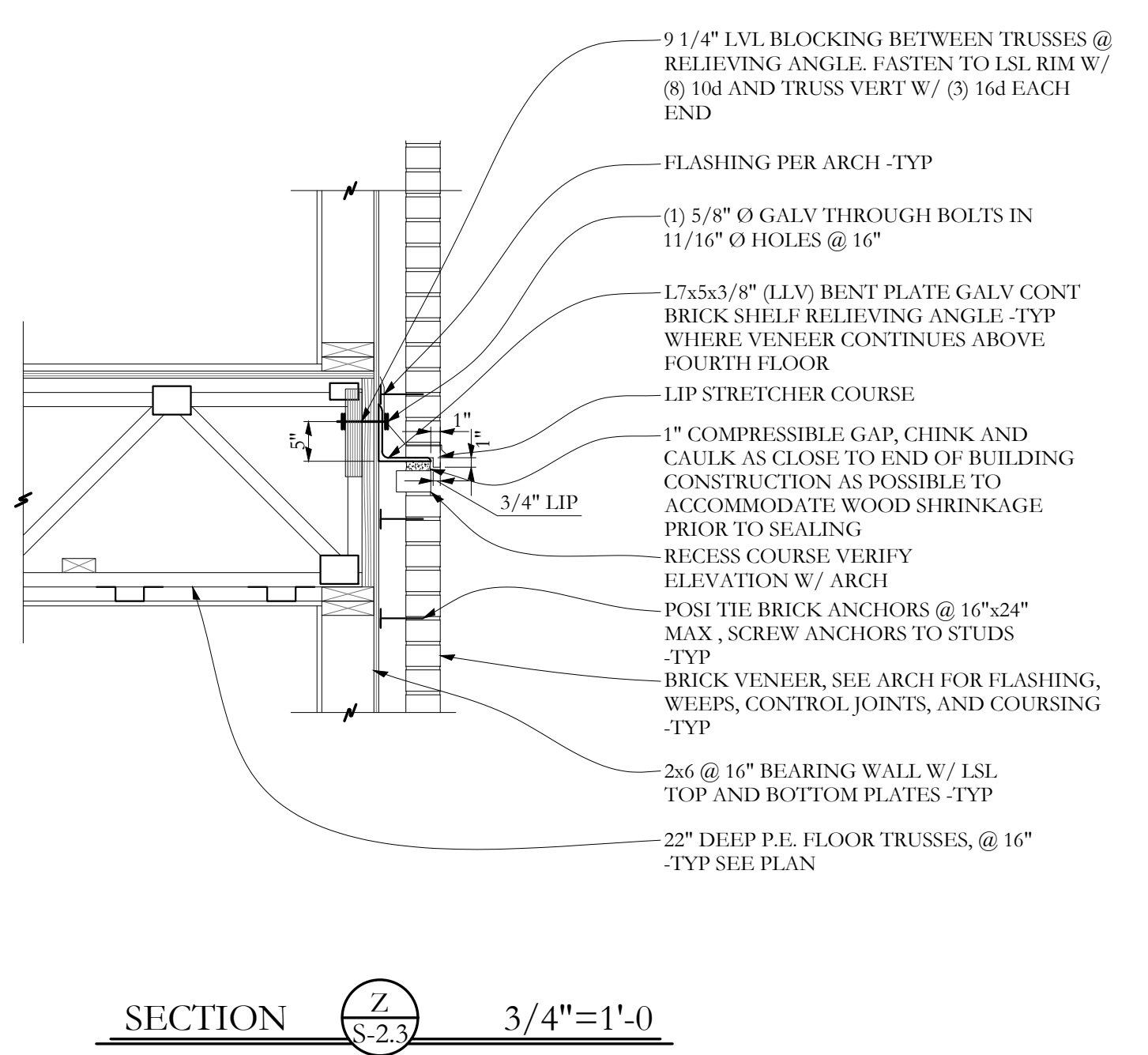
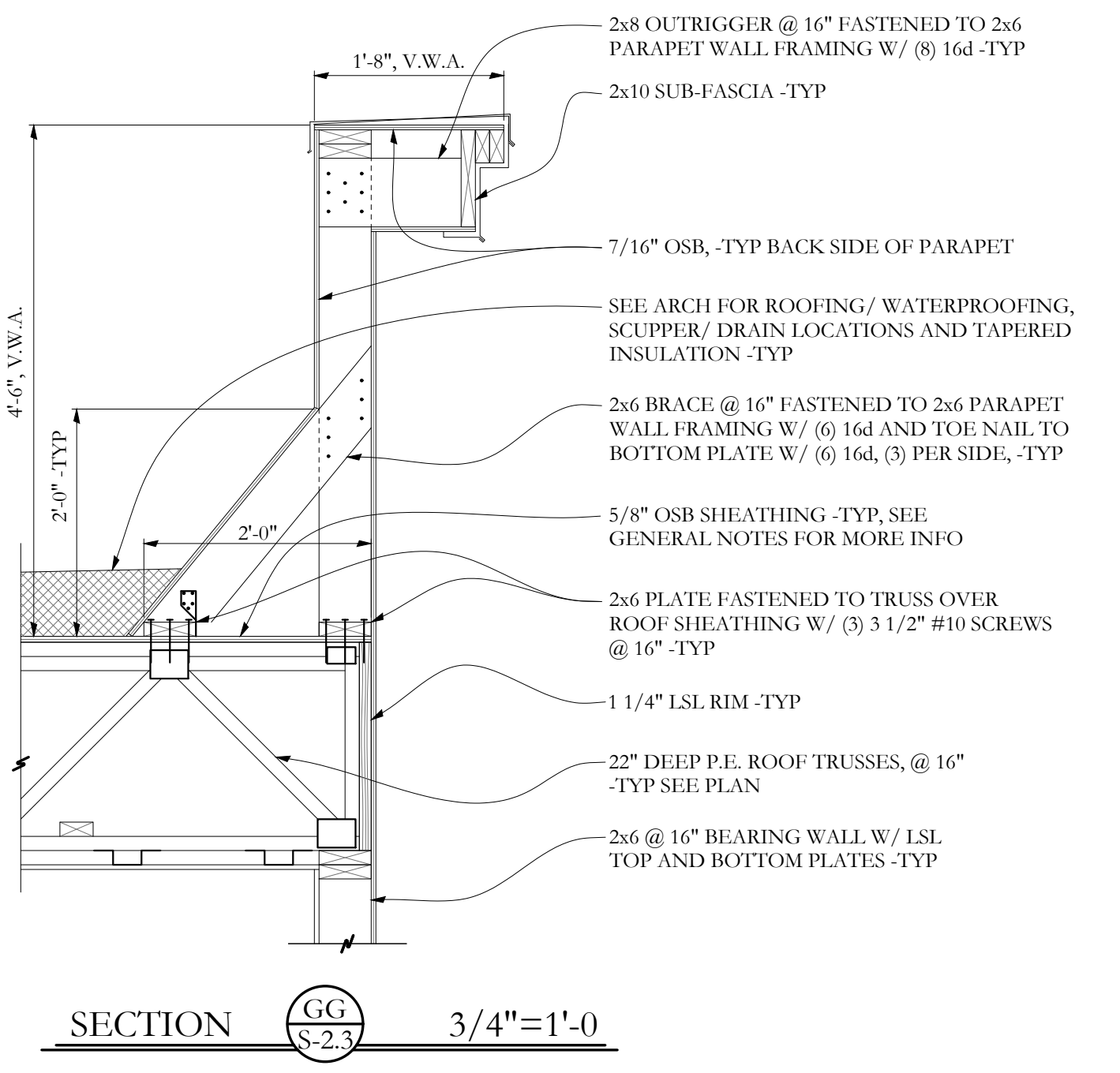
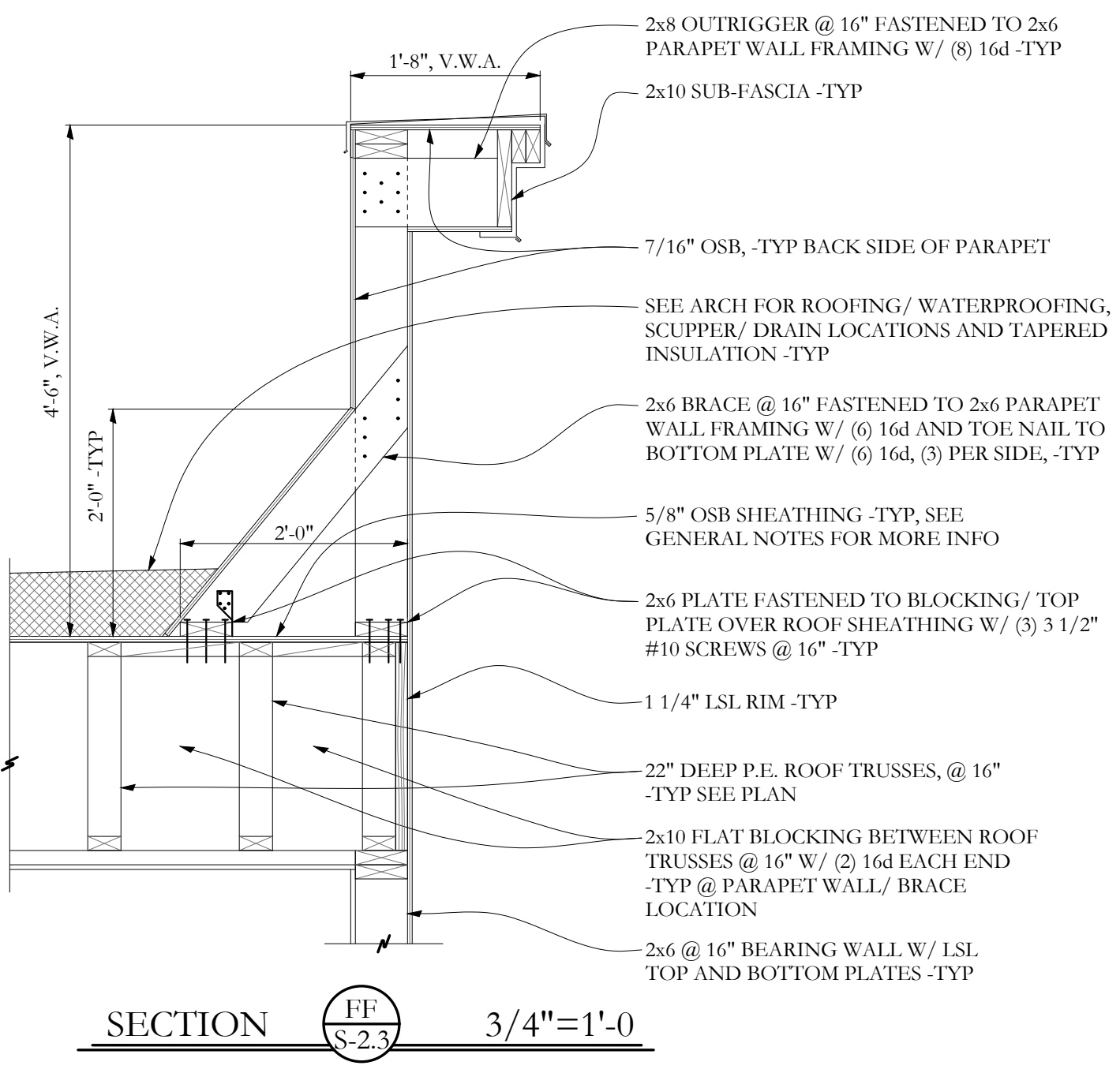
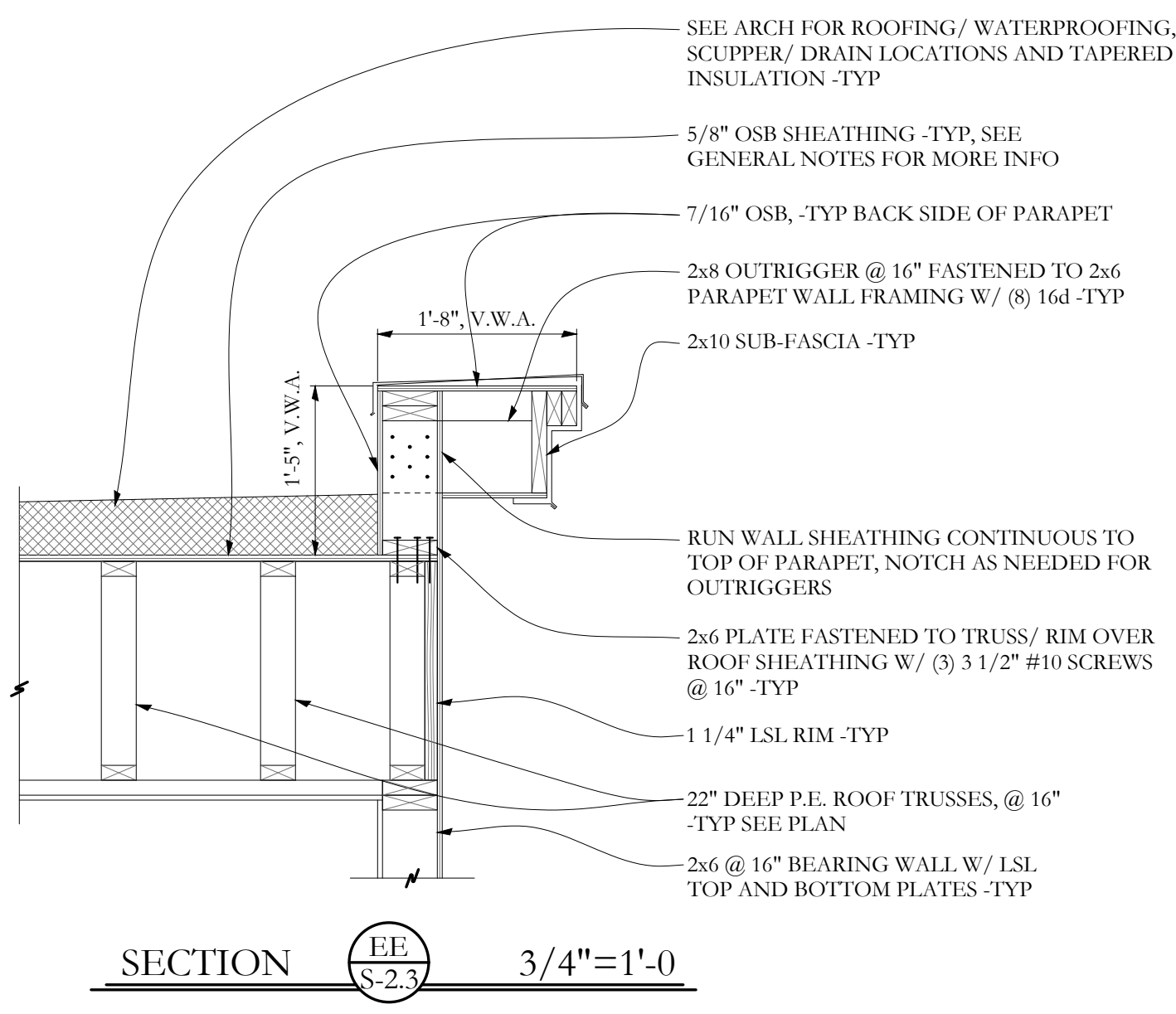
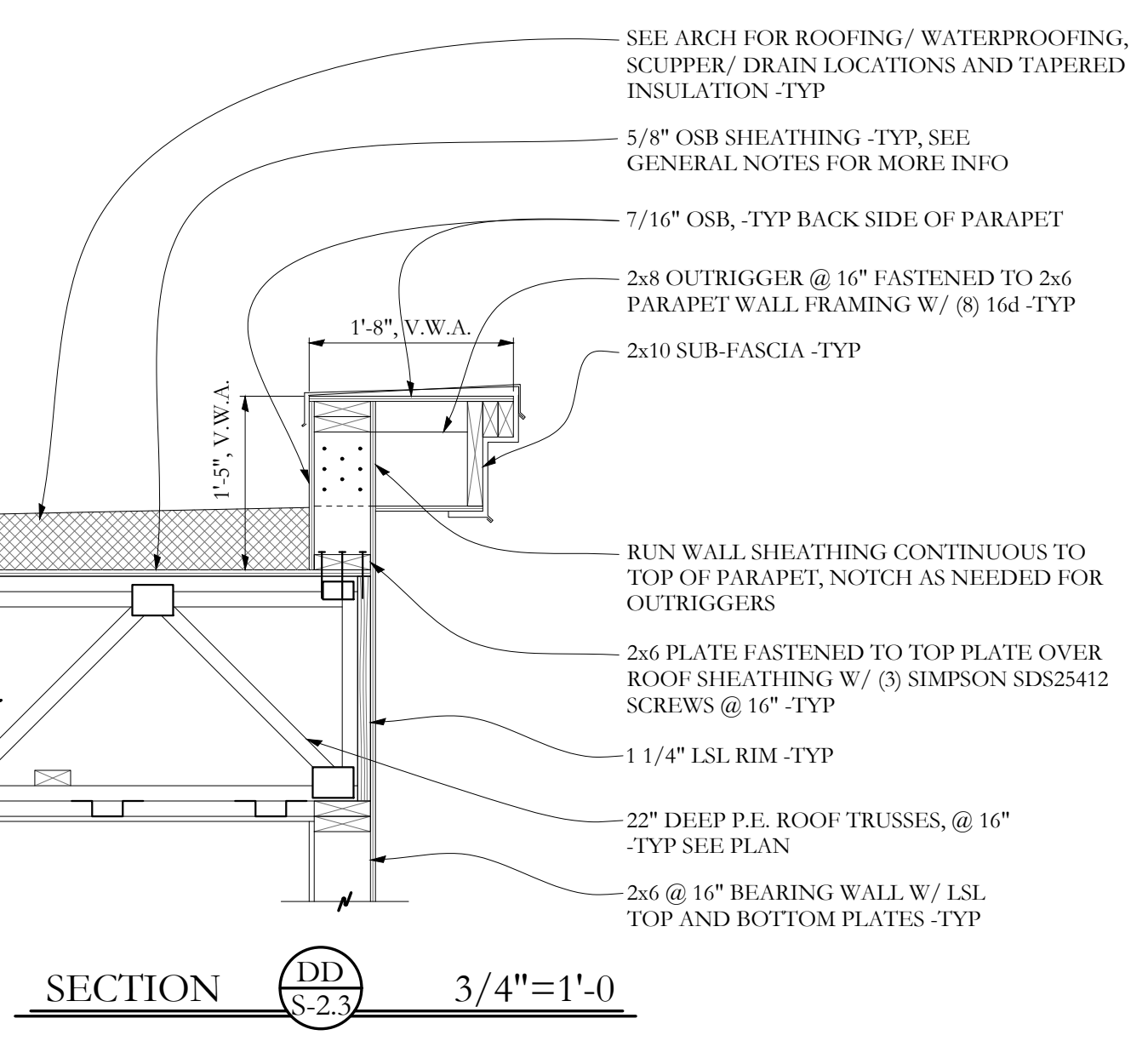
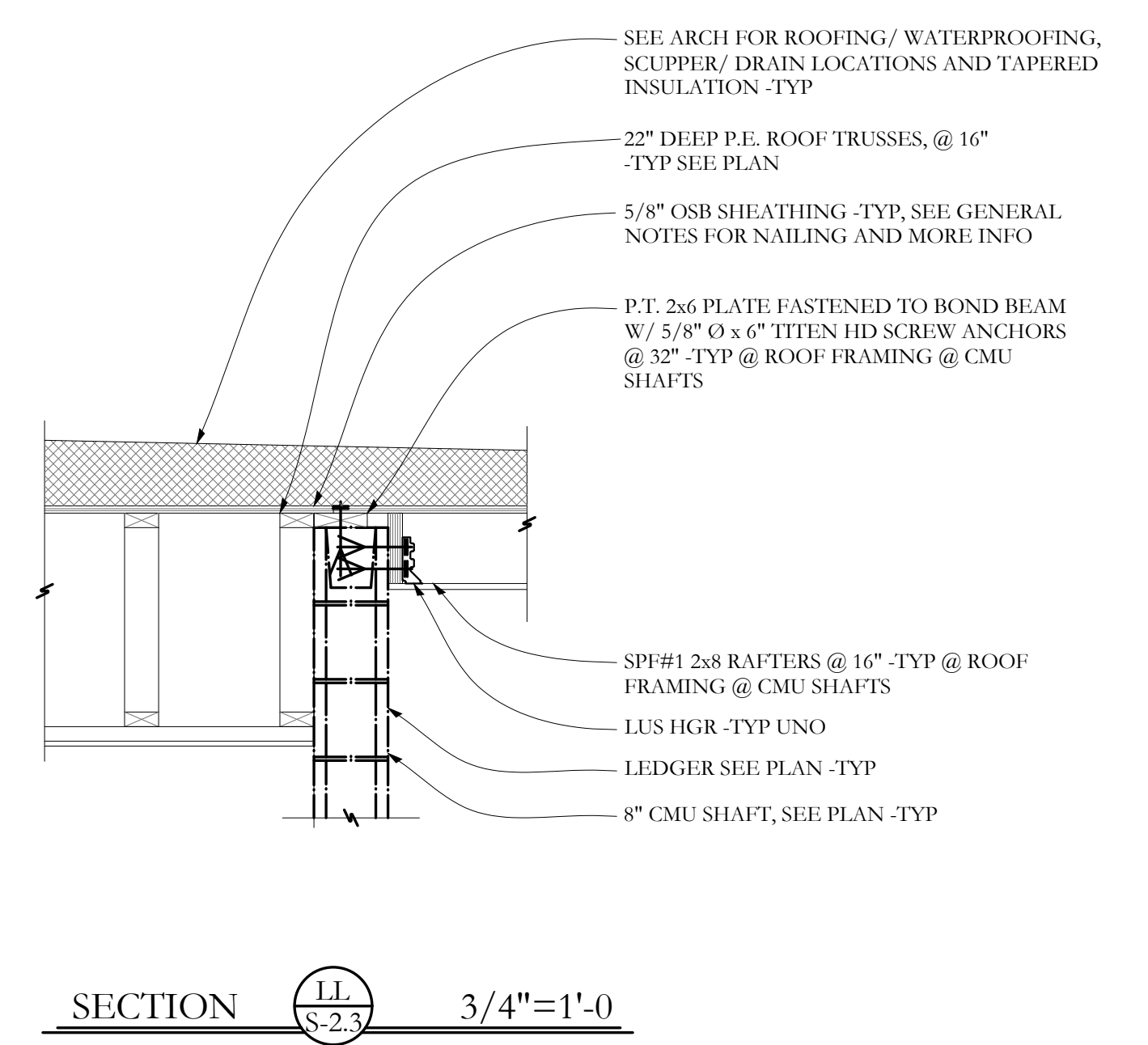
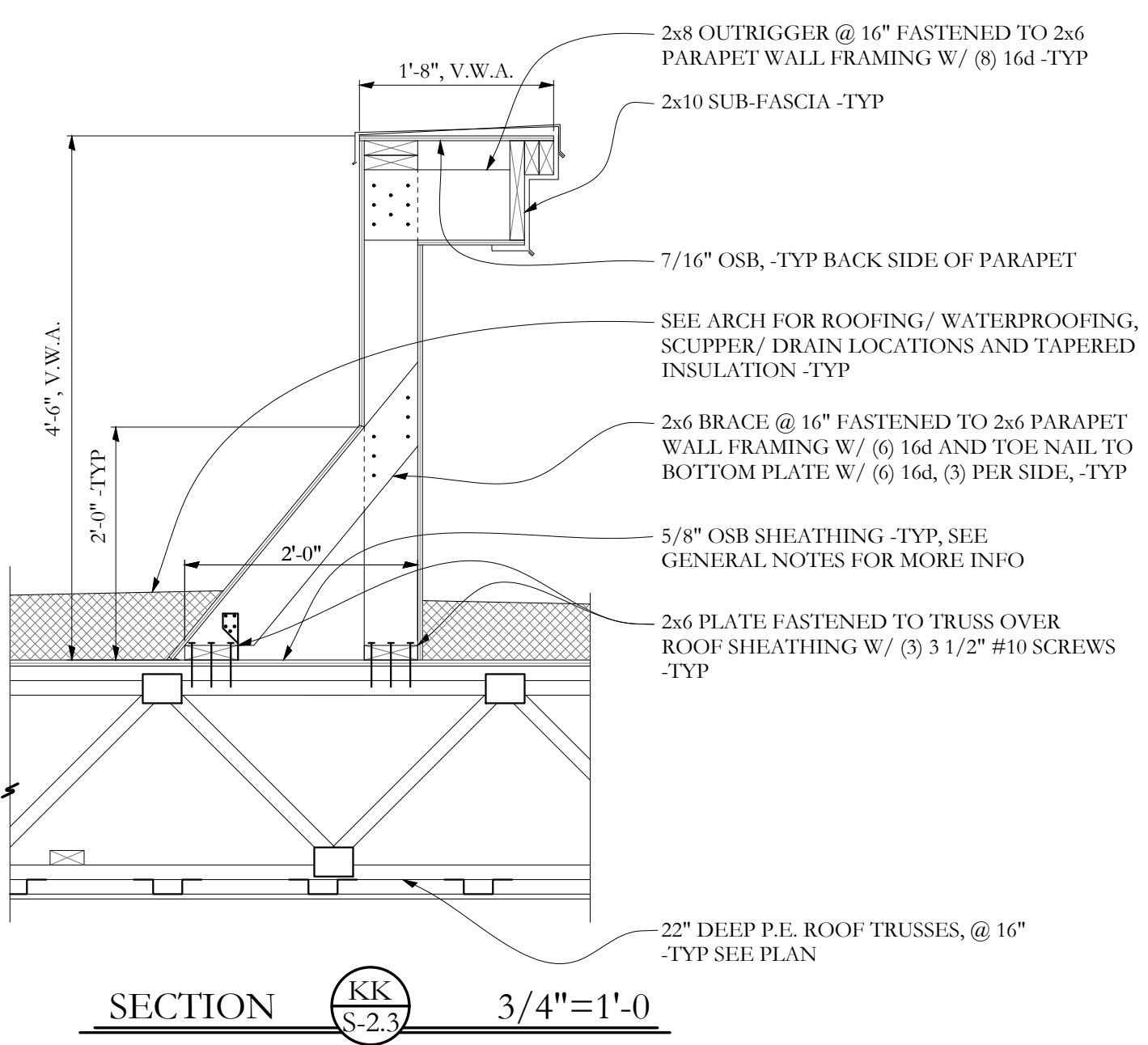
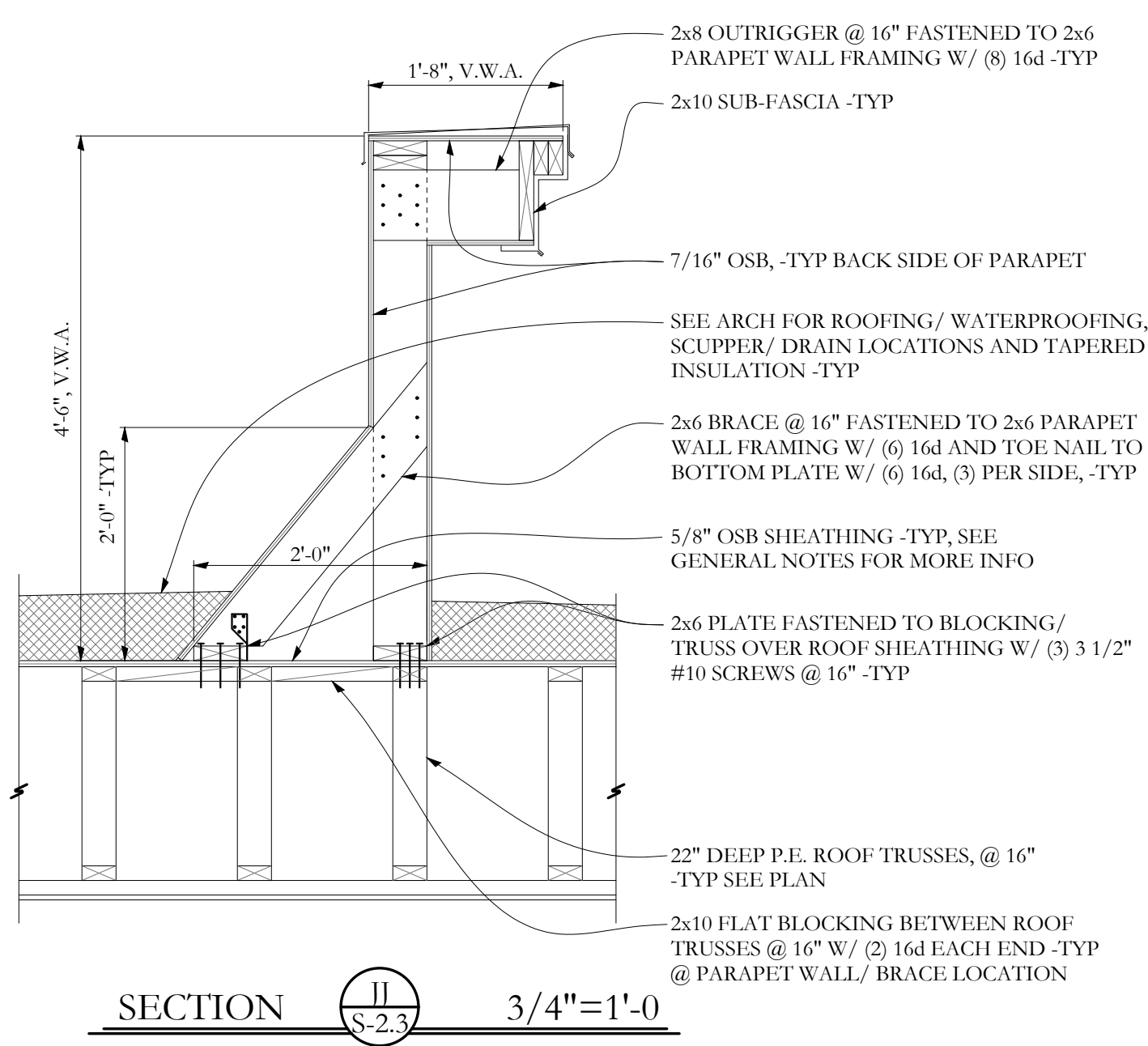
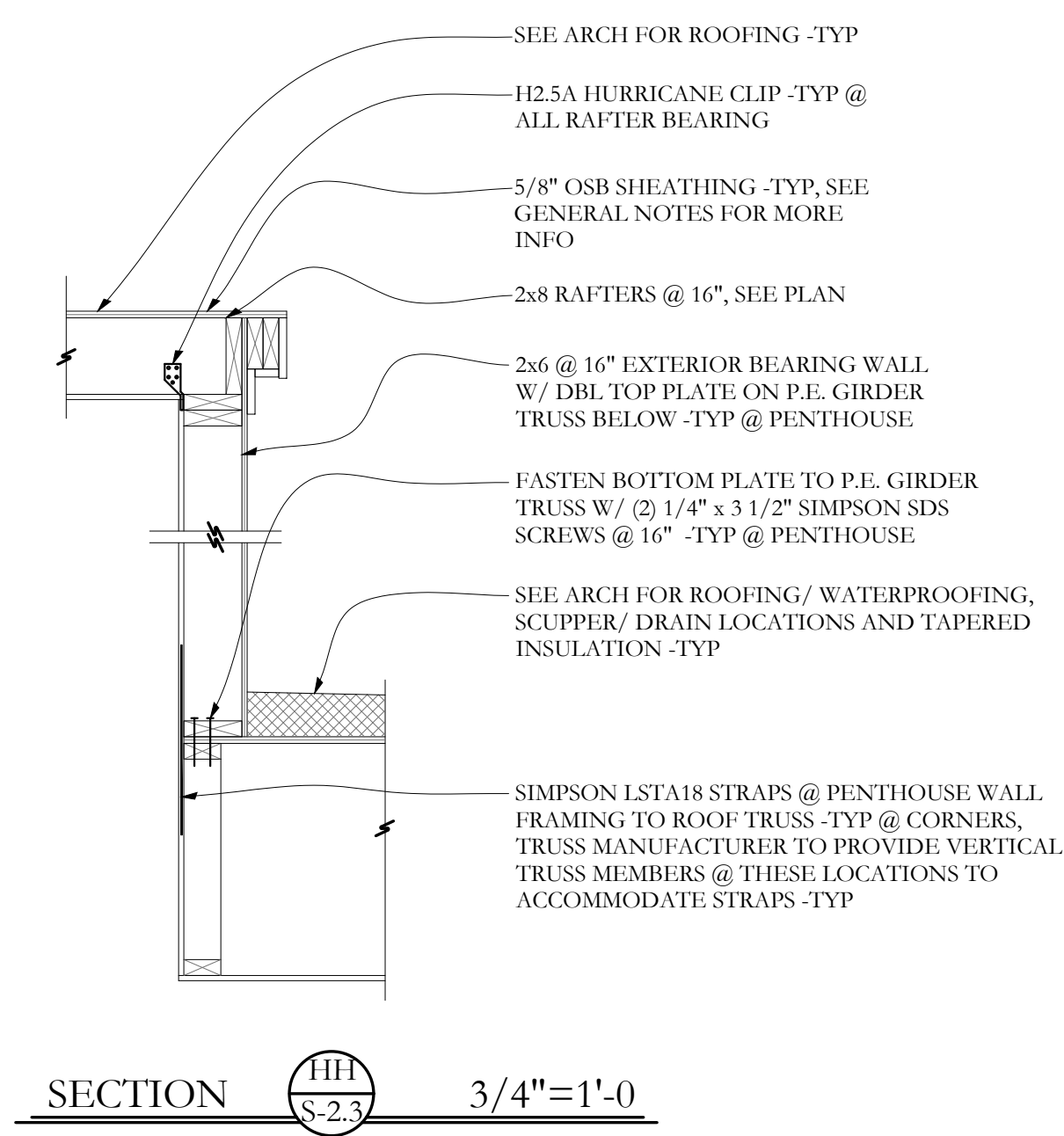


COPYRIGHT: Reuse or reproduction of the contents of this document is not permitted without written permission of Structural Integrity Consulting Engineers, Inc.



OWNER
INDIA/ NEWBURY RESIDENCES, LLC.
PROJECT NAME
62 INDIA ST
Portland, Maine

DRAWN BY
JCS

ISSUE DATE
11.18.16

SHEET TITLE
SECTIONS

SHEET SCALE
3/4"=1'-0"

PROJECT NO.
16-0022

Structural Integrity Consulting Engineers
 77 Oak Street
 Portland, ME 04101
 P: 207-774-4614
 F: 866-793-7835
 www.structuralintegrity.com
 BUILD WITH CONFIDENCE
 © 2016 Structural Integrity Consulting Engineers, Inc.