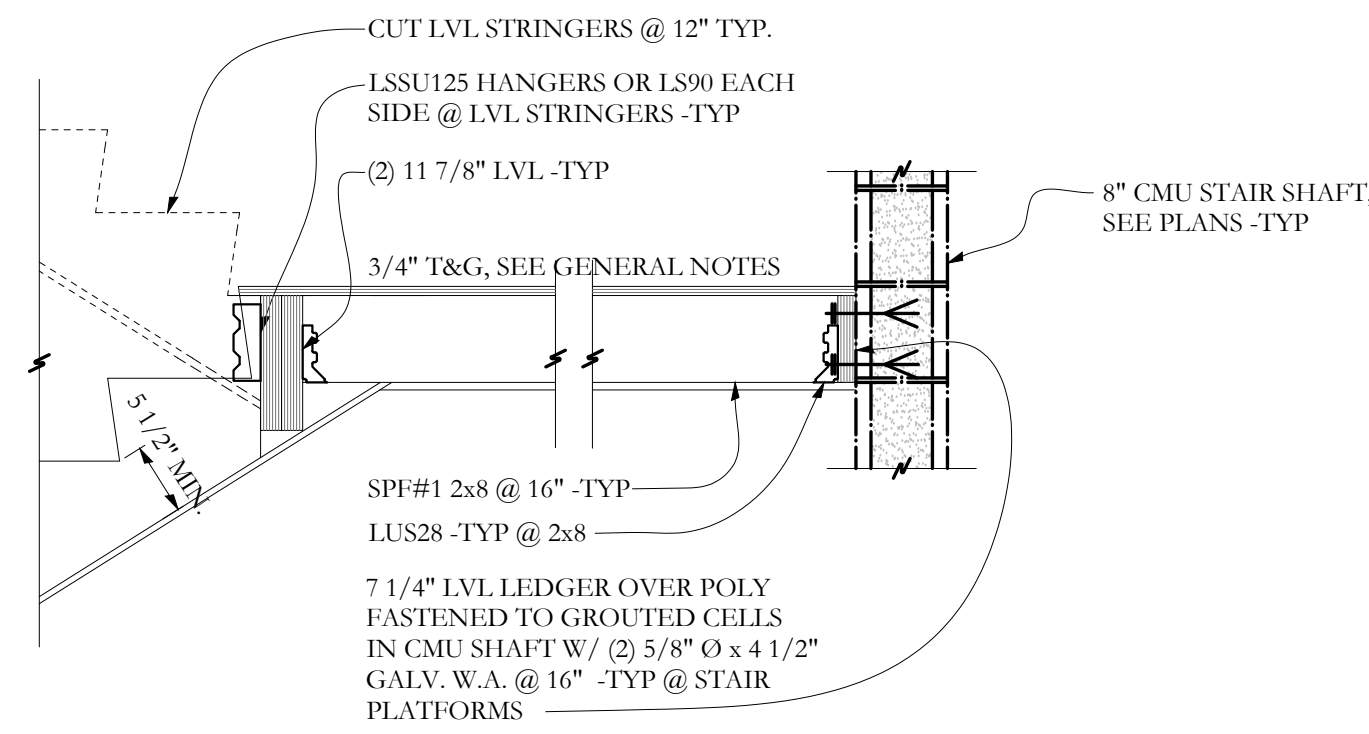
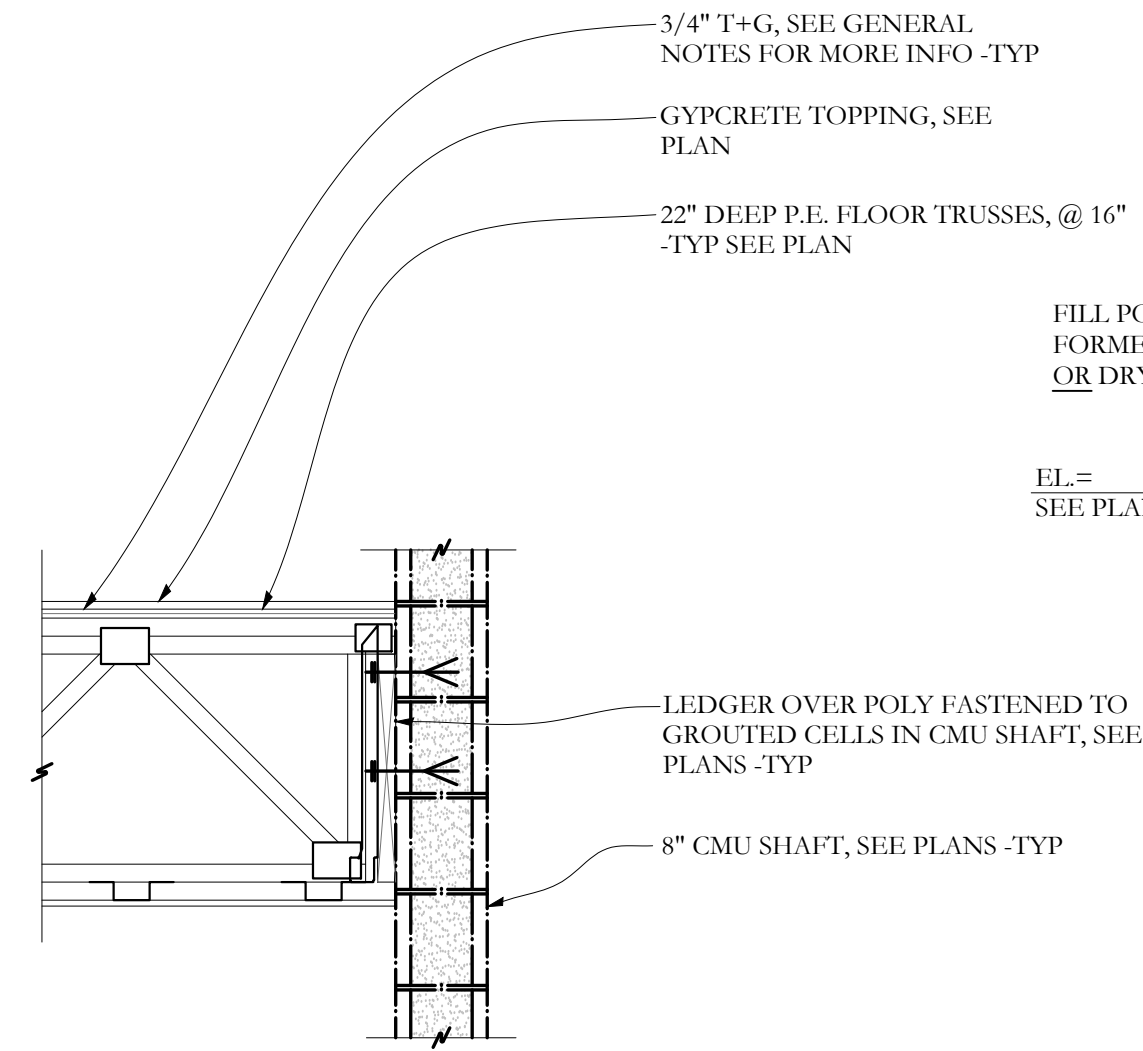


COPYRIGHT: Reuse or reproduction of the contents of this document is not permitted without written permission of Structural Integrity Consulting Engineers, Inc.

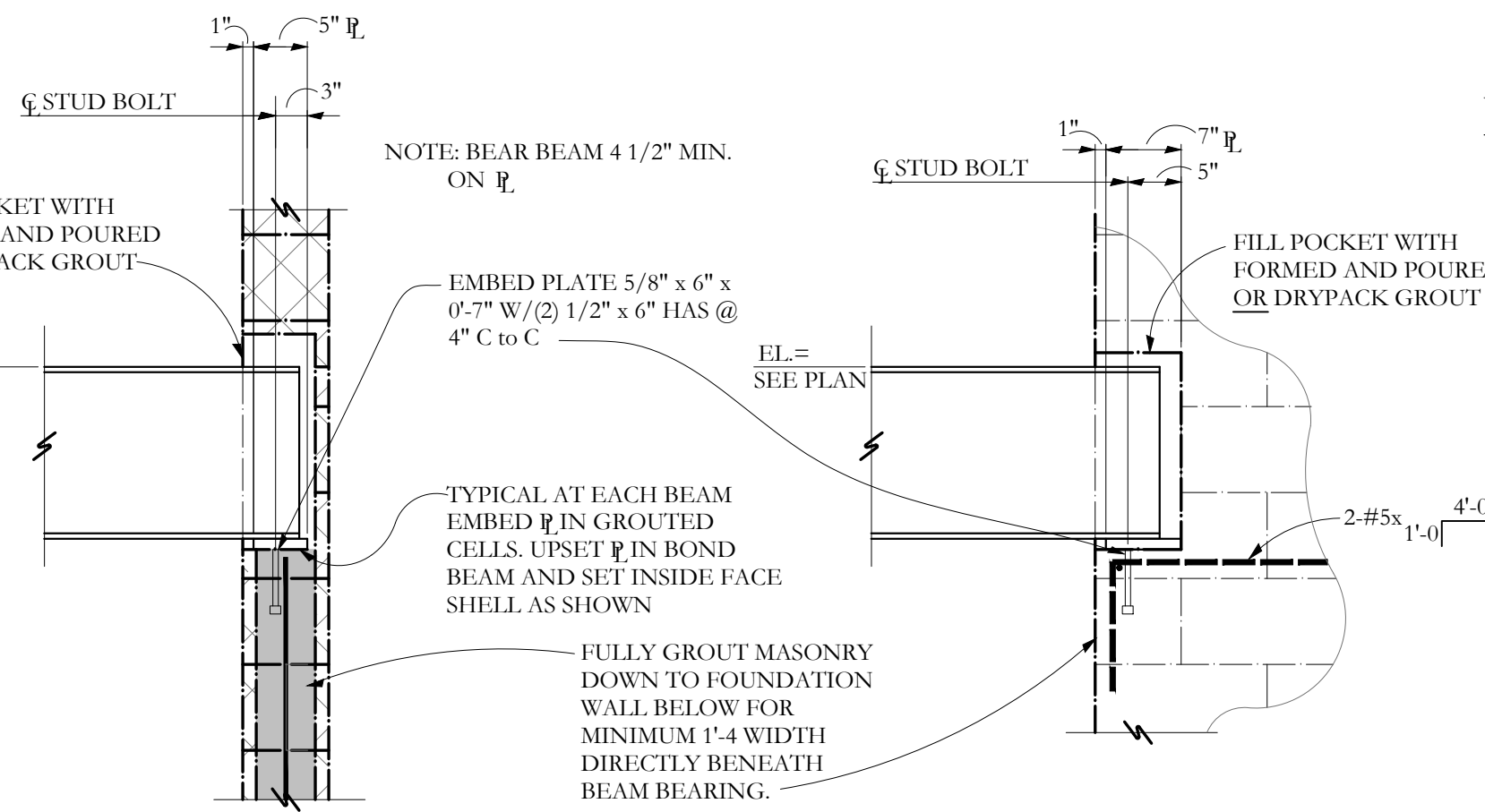
**ALL STAIR FRAMING TO BE FIRE TREATED -TYP**



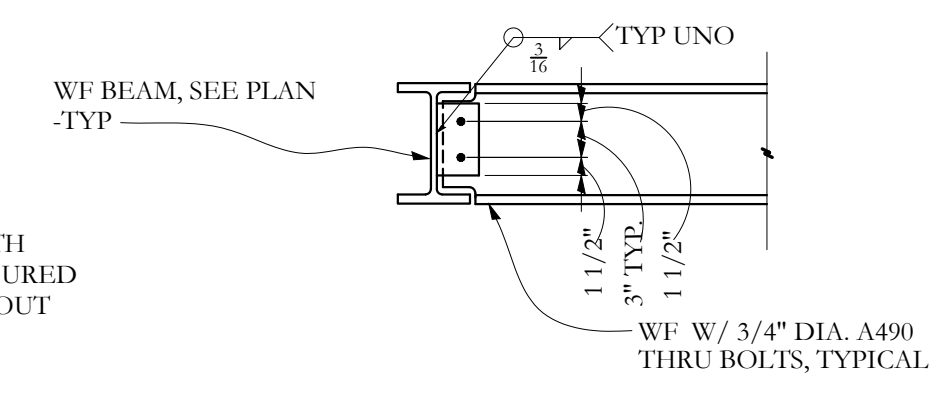
SECTION **V-S-2.2** 3/4"=1'-0"  
TYPICAL STAIR HEADER



SECTION **W-S-2.2** 3/4"=1'-0"



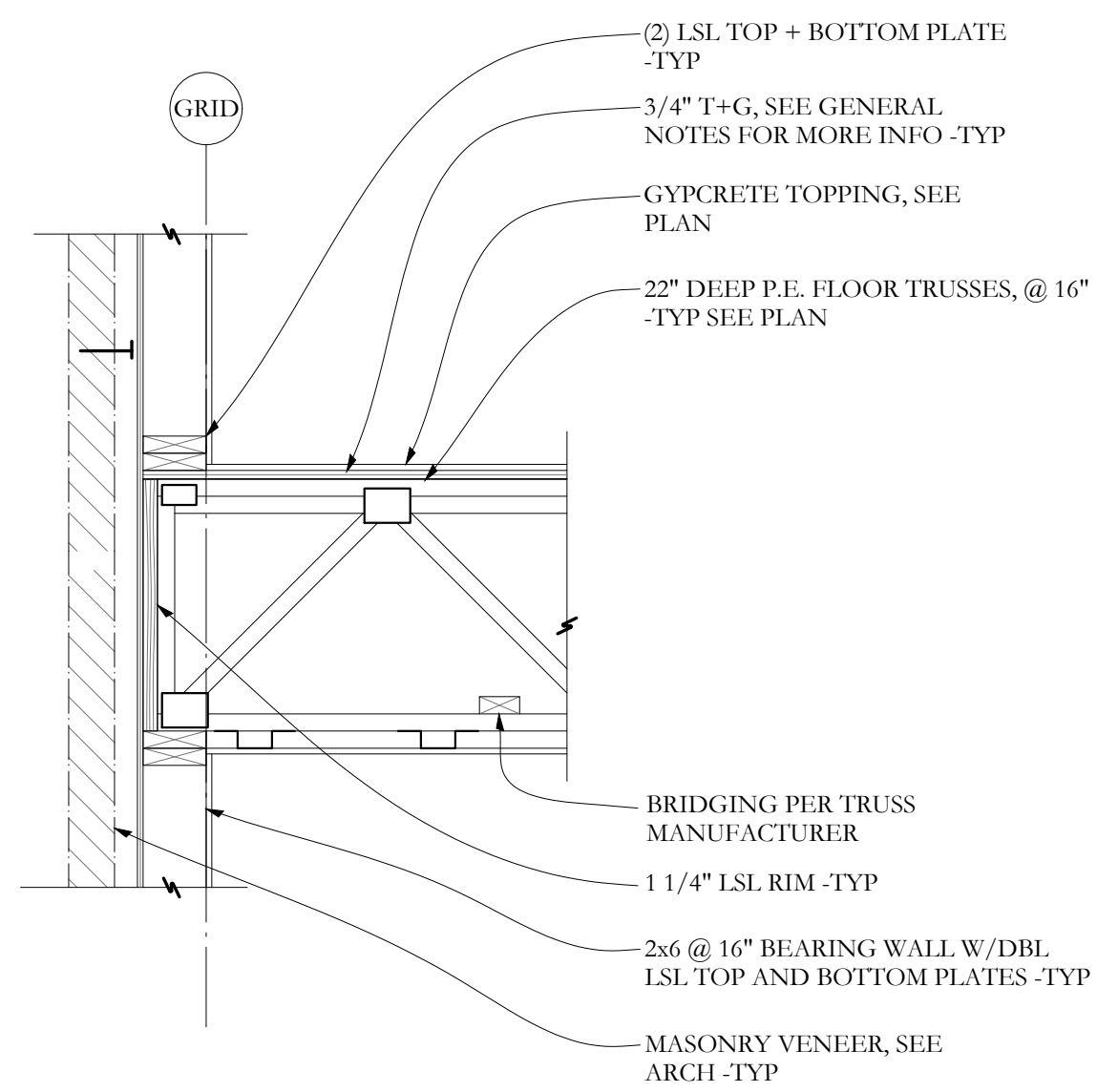
TYPICAL BEAM BEARING ON PERPENDICULAR CMU WALL  
TYPICAL BEAM BEARING ON PARALLEL CMU WALL



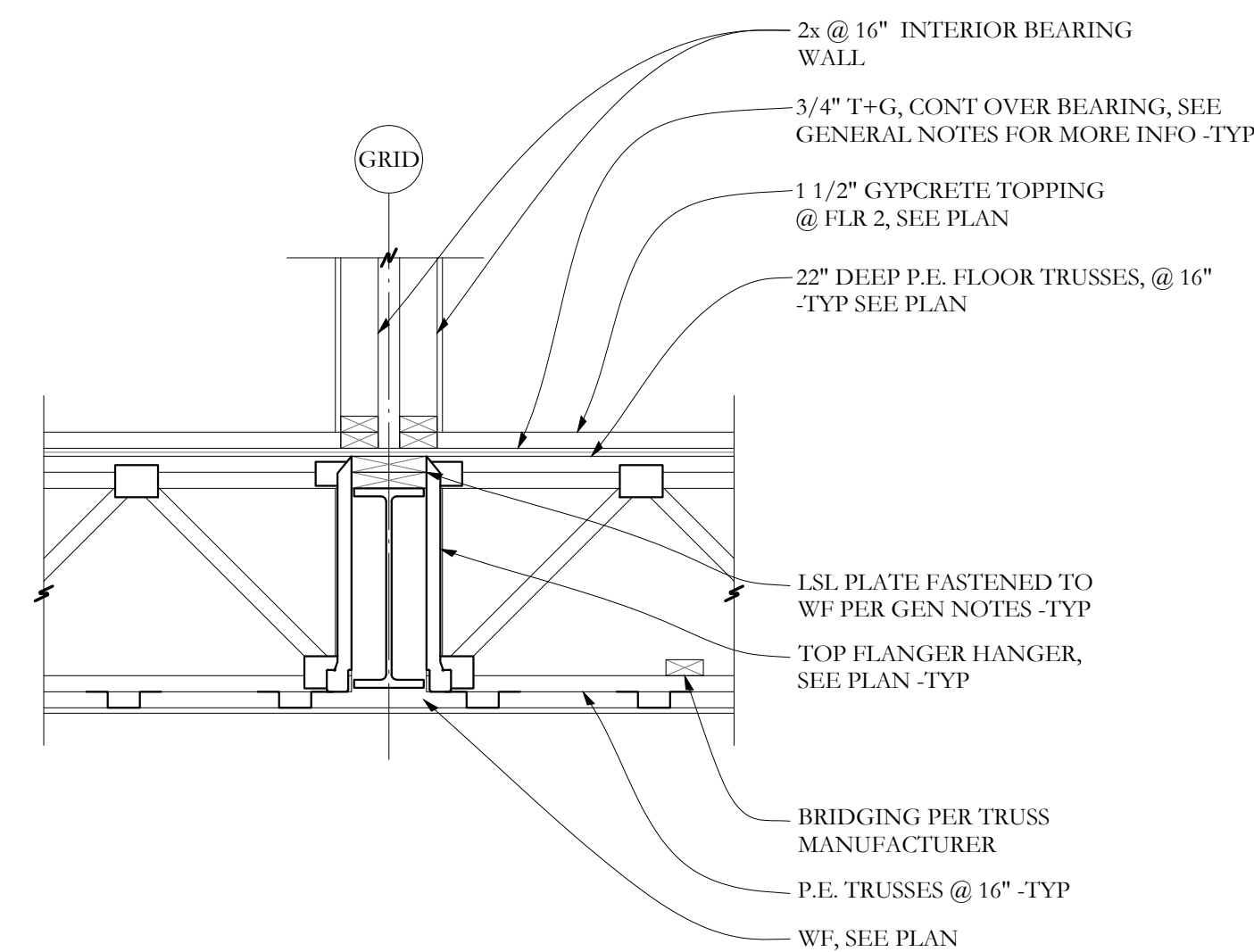
FRAMED BEAM CONNECTION SCHEDULE	
BEAM SIZE	# OF 3/4" DIA BOLTS
W8, W10	2
W12, W14	3
W16	4
W18	5

1) BOLTS SHALL BE INSTALLED PER GENERAL NOTES ON SHEET S-1.0  
2) GIRDER/BEAM CONNECTION SHALL BE MADE USING L3 1/2"x3 1/2"x 1/4" EACH SIDE -TYP

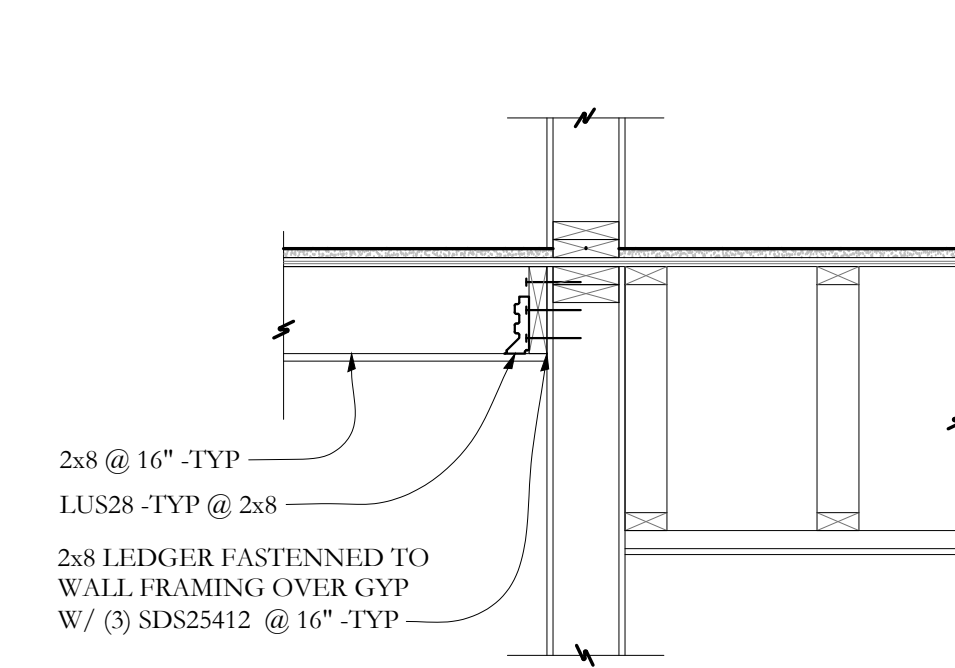
TYPICAL FRAMED BEAM CONNECTIONS U.N.O.



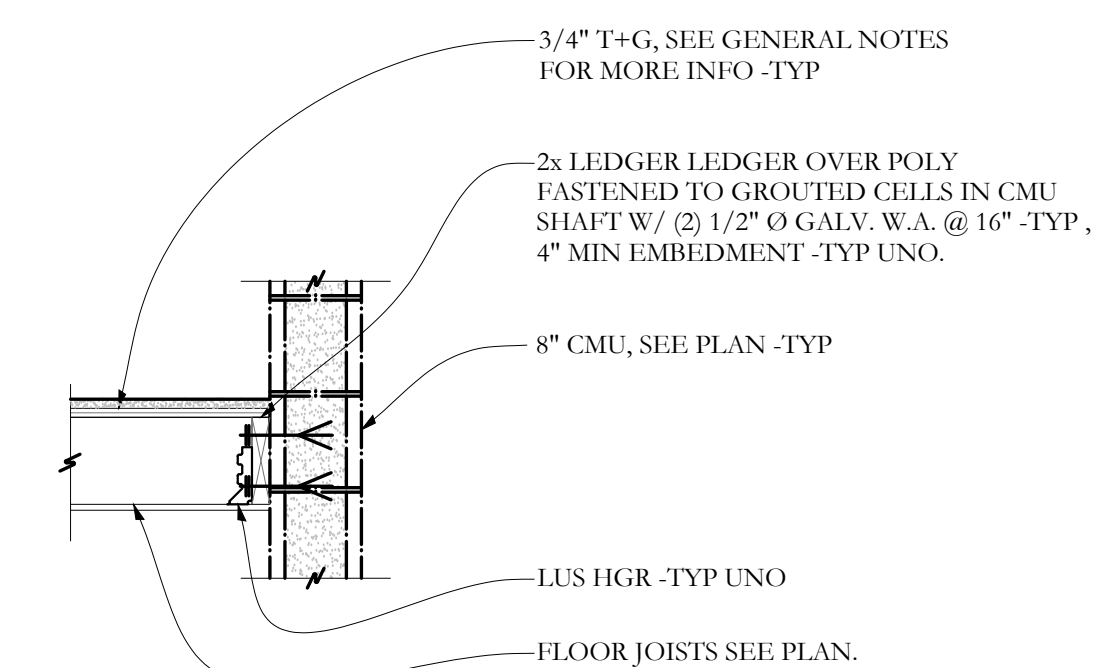
SECTION **R-S-2.2** 3/4"=1'-0"



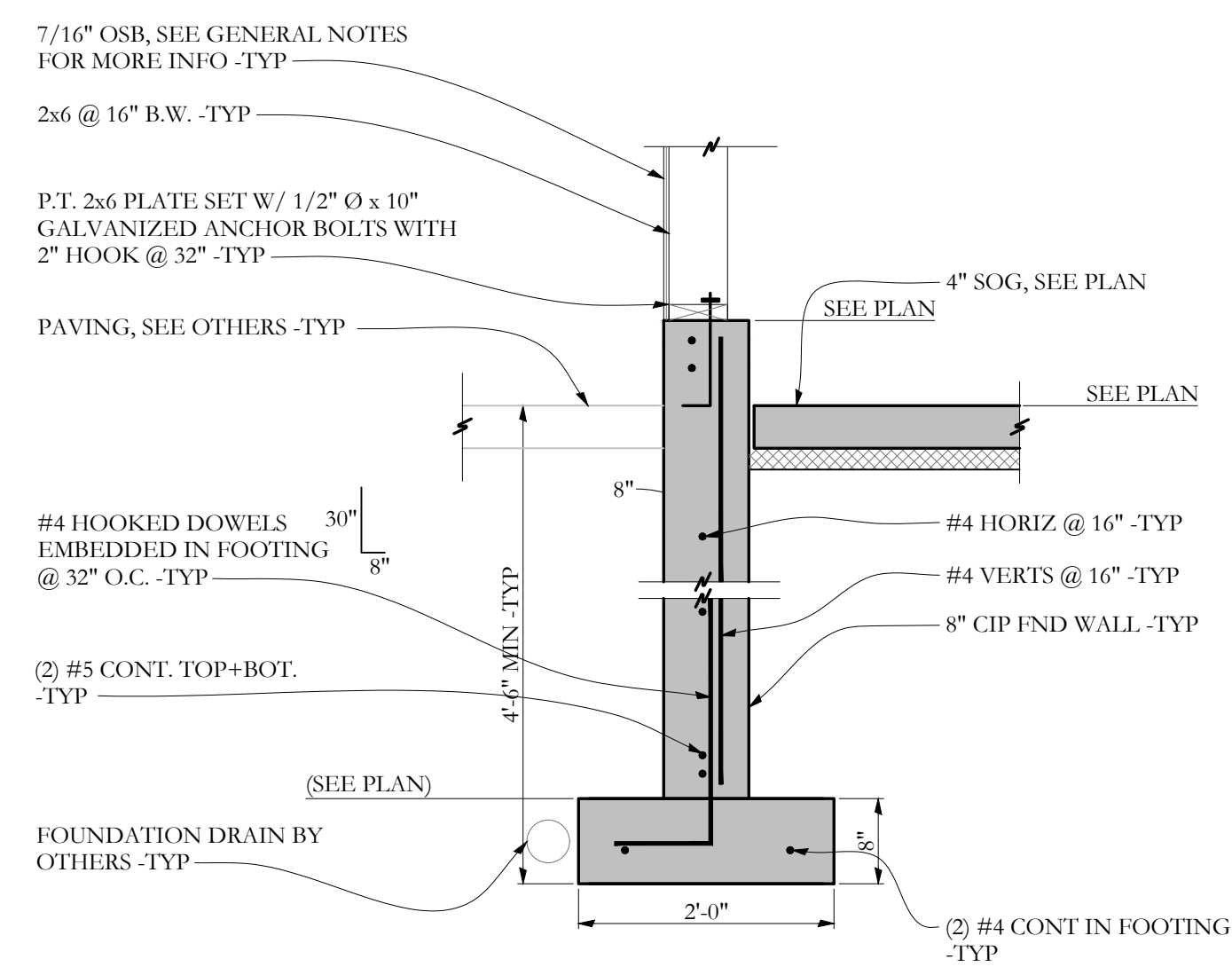
SECTION **S-S-2.2** 3/4"=1'-0"



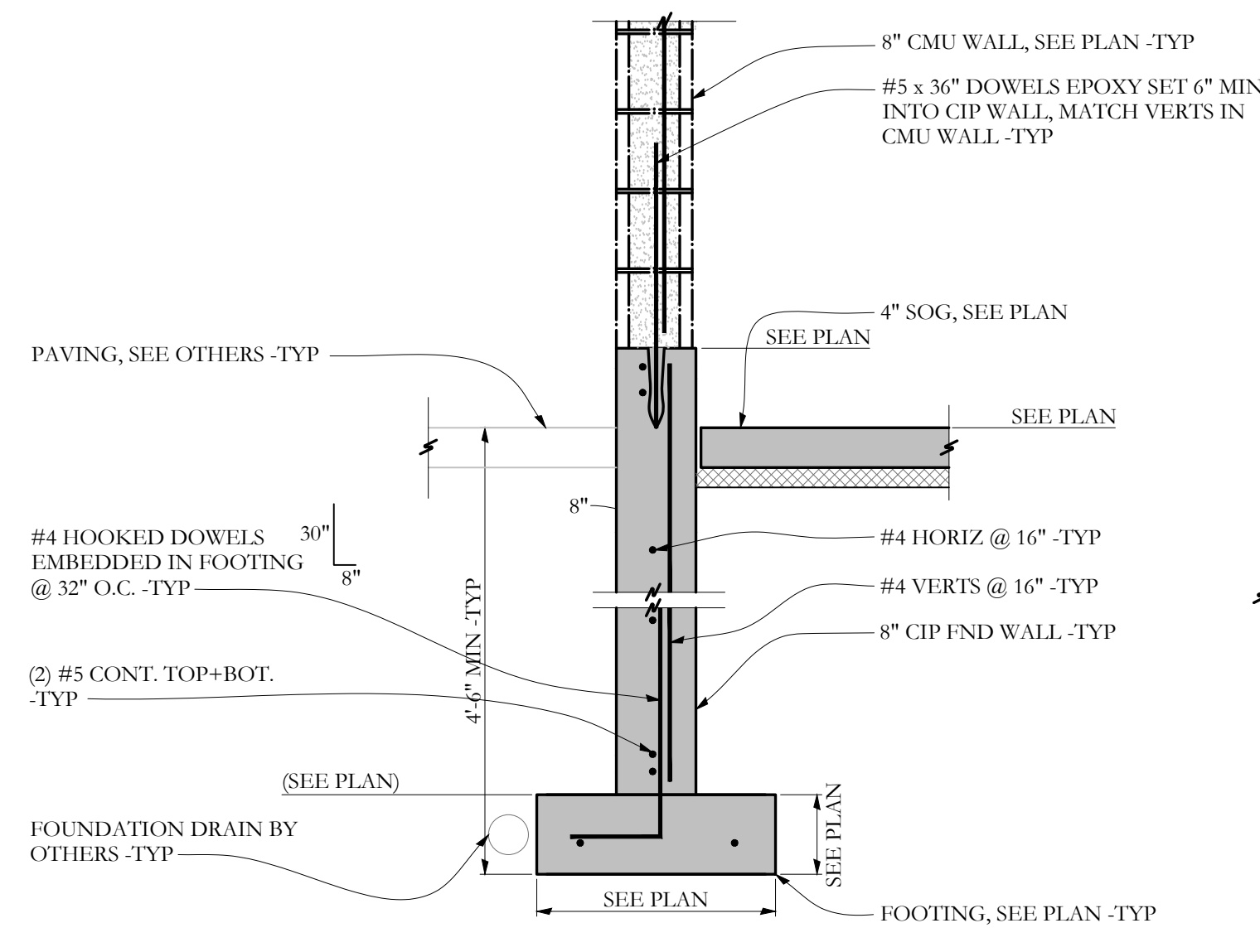
SECTION **T-S-2.2** 3/4"=1'-0"



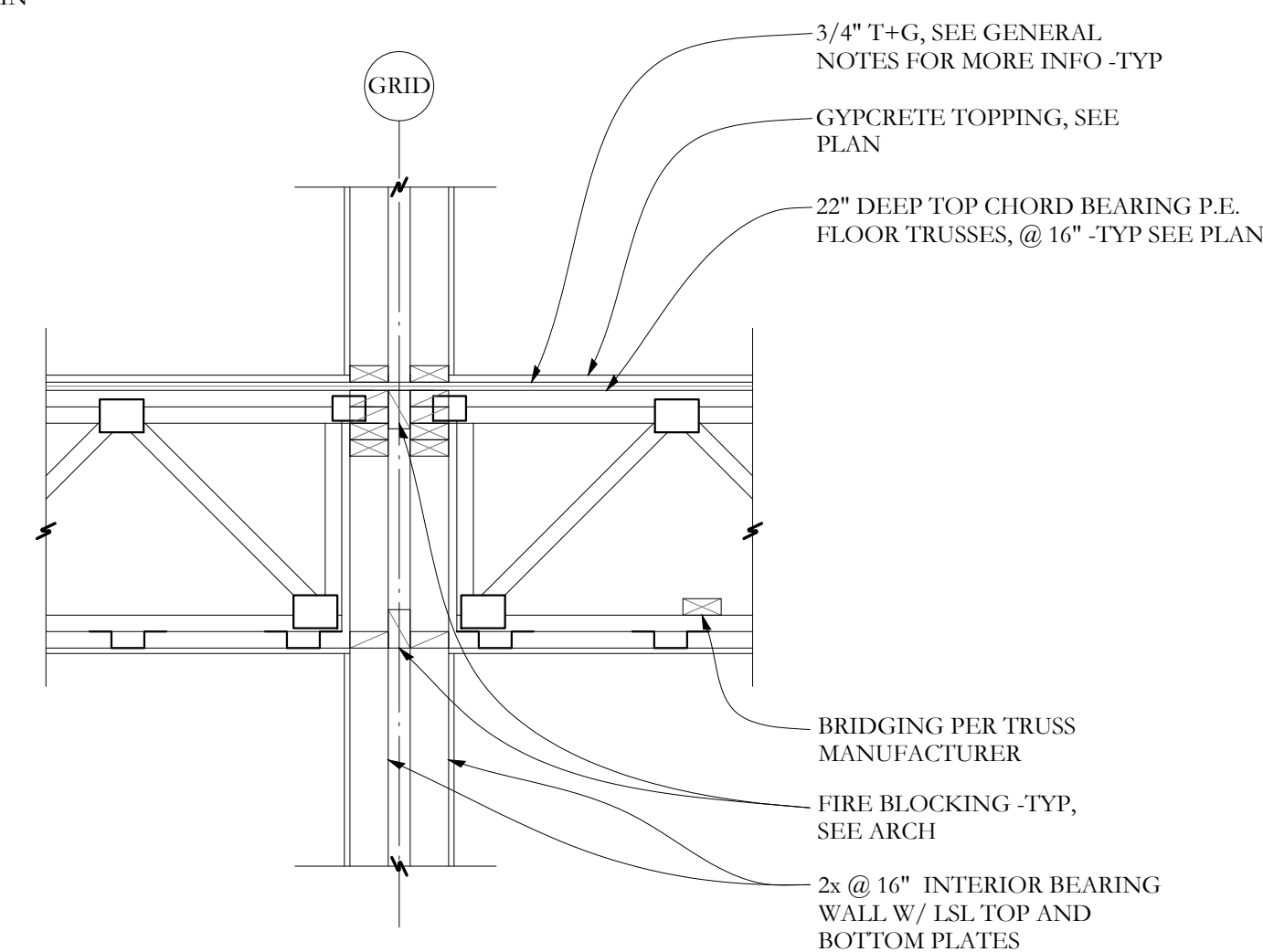
SECTION **U-S-2.2** 3/4"=1'-0"



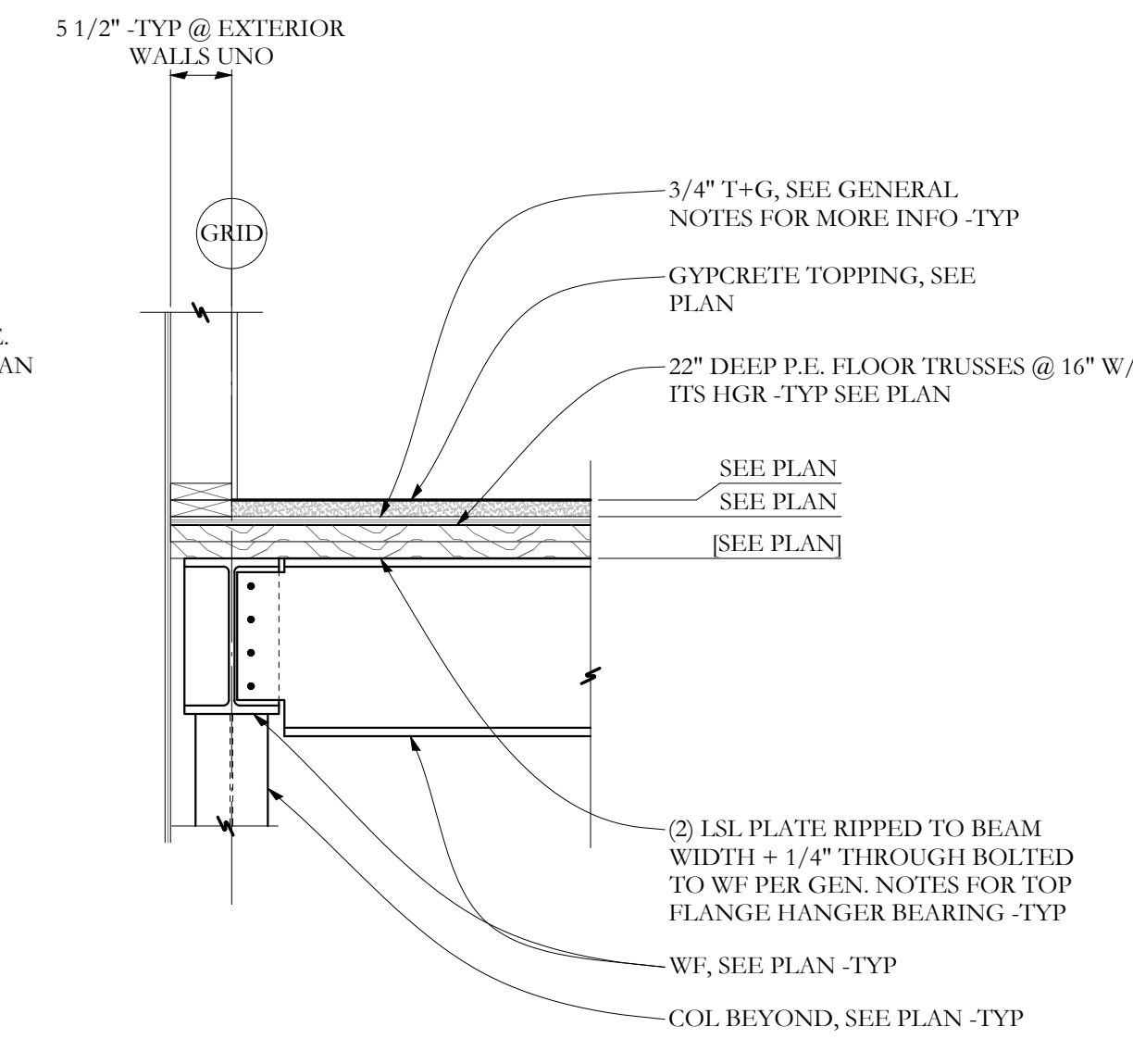
SECTION **M-S-2.2** 3/4"=1'-0"



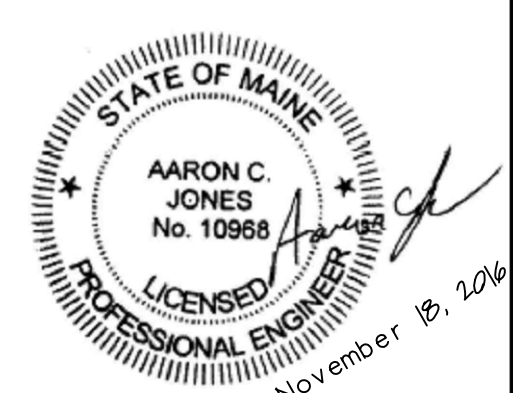
SECTION **N-S-2.2** 3/4"=1'-0"



SECTION **P-S-2.2** 3/4"=1'-0"



SECTION **Q-S-2.2** 3/4"=1'-0"



**Structural Integrity**  
 Consulting Engineers  
 BUILD WITH CONFIDENCE  
 77 Oak Street  
 Portland, ME 04101  
 P: 207-774-4614  
 F: 866-793-7835  
 www.structuralintegrity.com  
 © 2016 Structural Integrity Consulting Engineers, Inc.

**INDIA/ NEWBURY RESIDENCES, LLC.**  
 PROJECT NAME  
**62 INDIA ST**  
 Portland, Maine

OWNER  
**INDIA/ NEWBURY RESIDENCES, LLC.**  
 PROJECT NAME  
**62 INDIA ST**  
 Portland, Maine

DRAWN BY  
**JCS**  
 SHEET TITLE  
**SECTIONS**

ISSUE DATE  
**11.18.16**  
 SHEET SCALE  
**3/4"=1'-0"**

**S-2.2**  
 PROJECT NO.  
**16-0022**