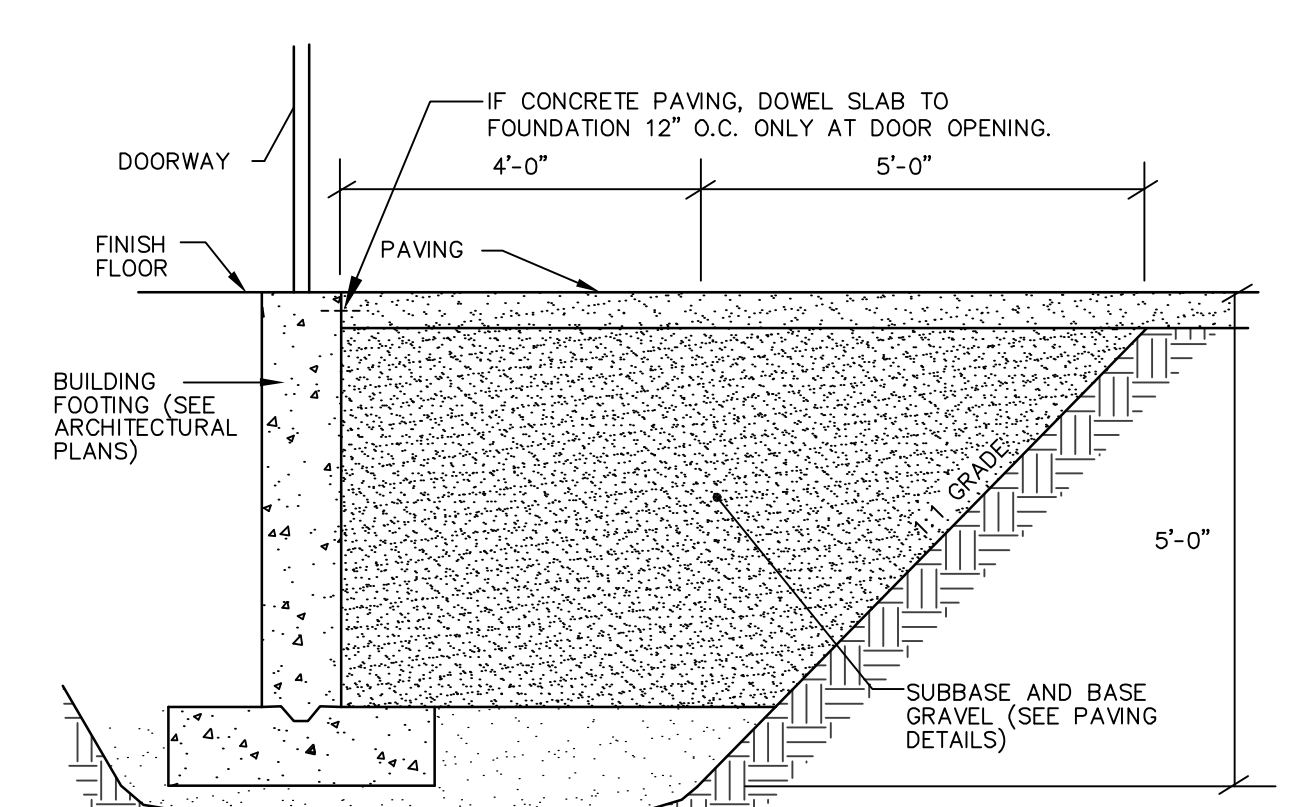
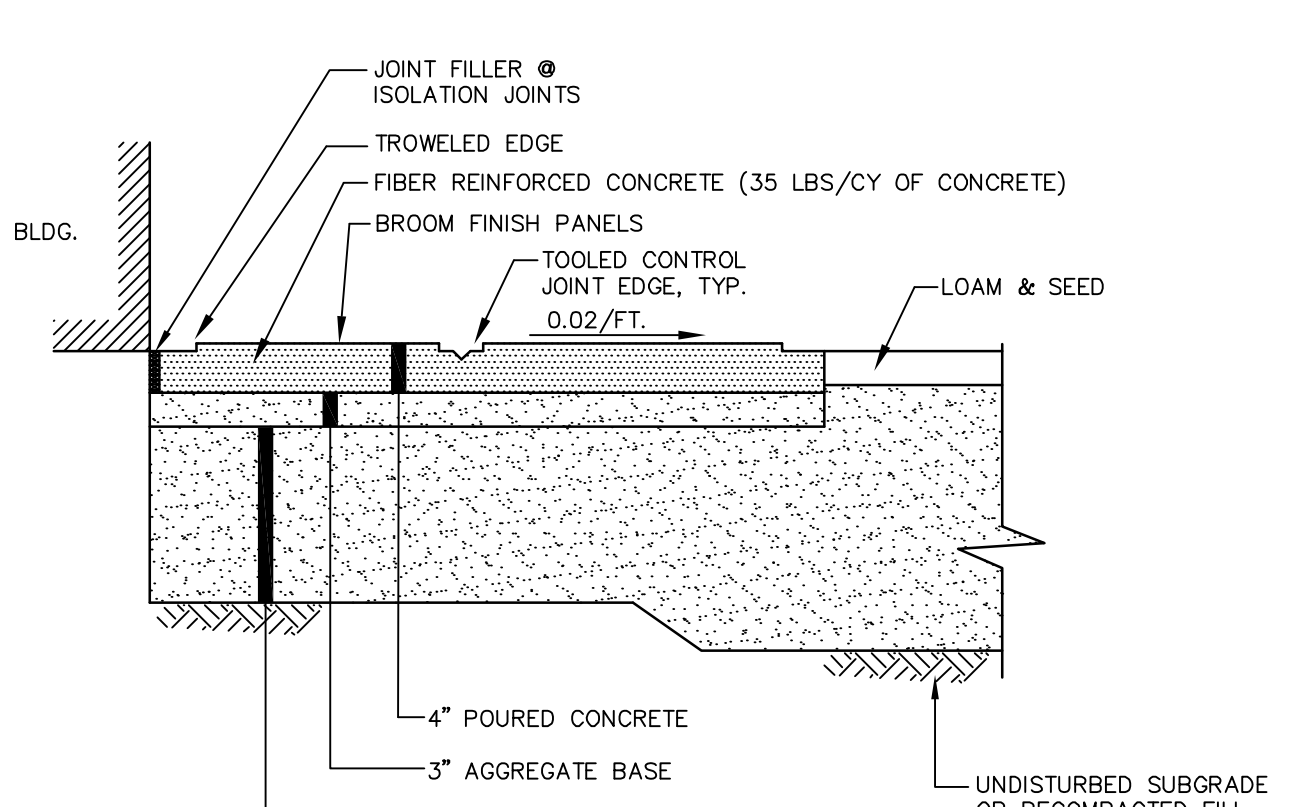


CONCRETE PAVING WITH CURB
NOT TO SCALE

NOTE:
1. INSTALL 4.5" DEEP SELECT FILL BELOW ENTRANCE SIDEWALKS AT BUILDING (OR TO DEPTH OF SOUND, INTACT BEDROCK).
2. CONCRETE SHALL HAVE AN Fc=4,500 PSI AND SHALL RECEIVE 2 COATS OF WATER PENETRATING SEALANT.

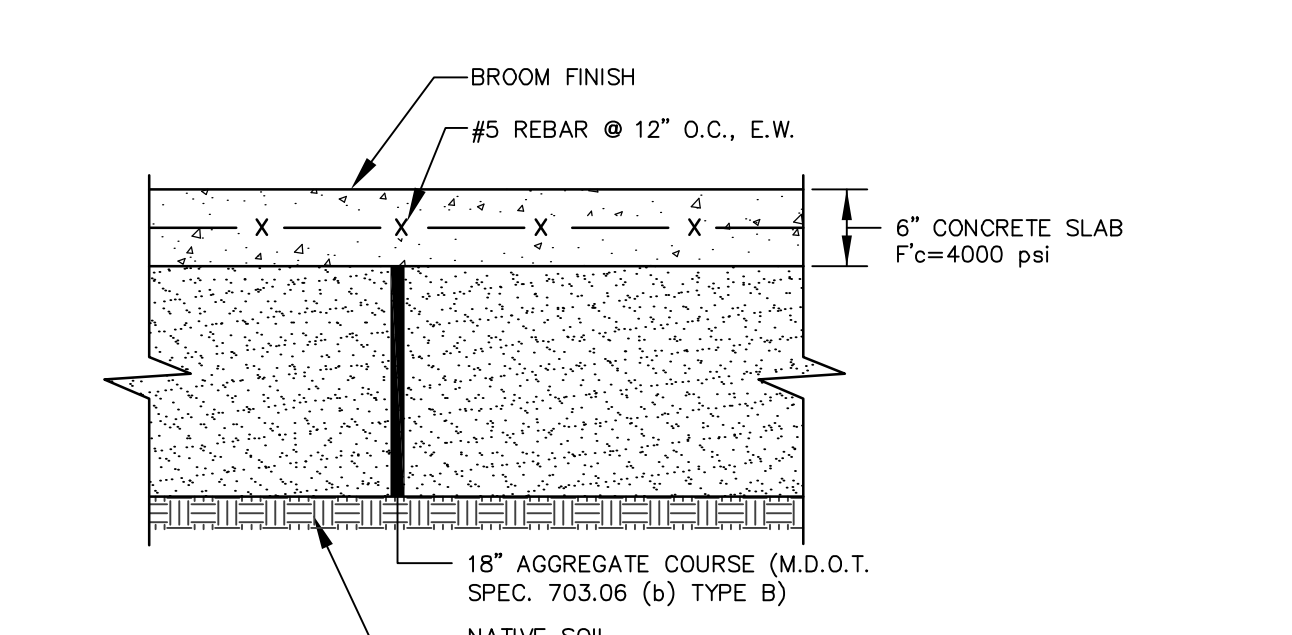


5" GRANULAR BASE @ DOOR THRESHOLD
NOT TO SCALE



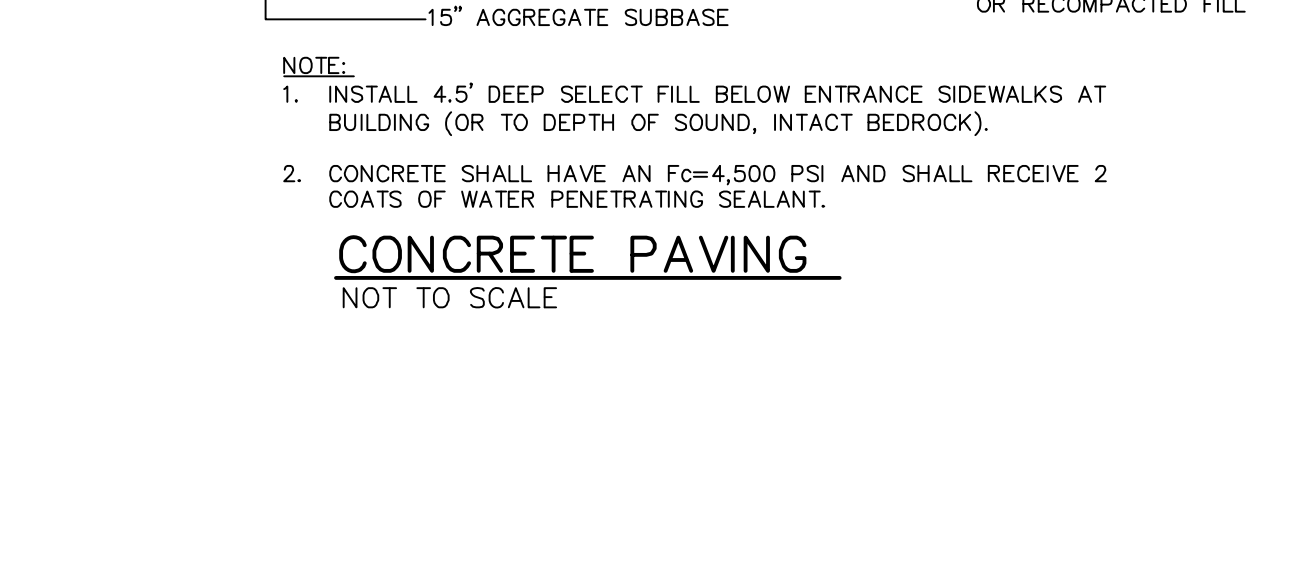
TYPICAL CONCRETE SLAB SECTION
NOT TO SCALE

NOTE:
1. PROVIDE CONTRACTION CONTROL JOINTS EVERY 5'-0"



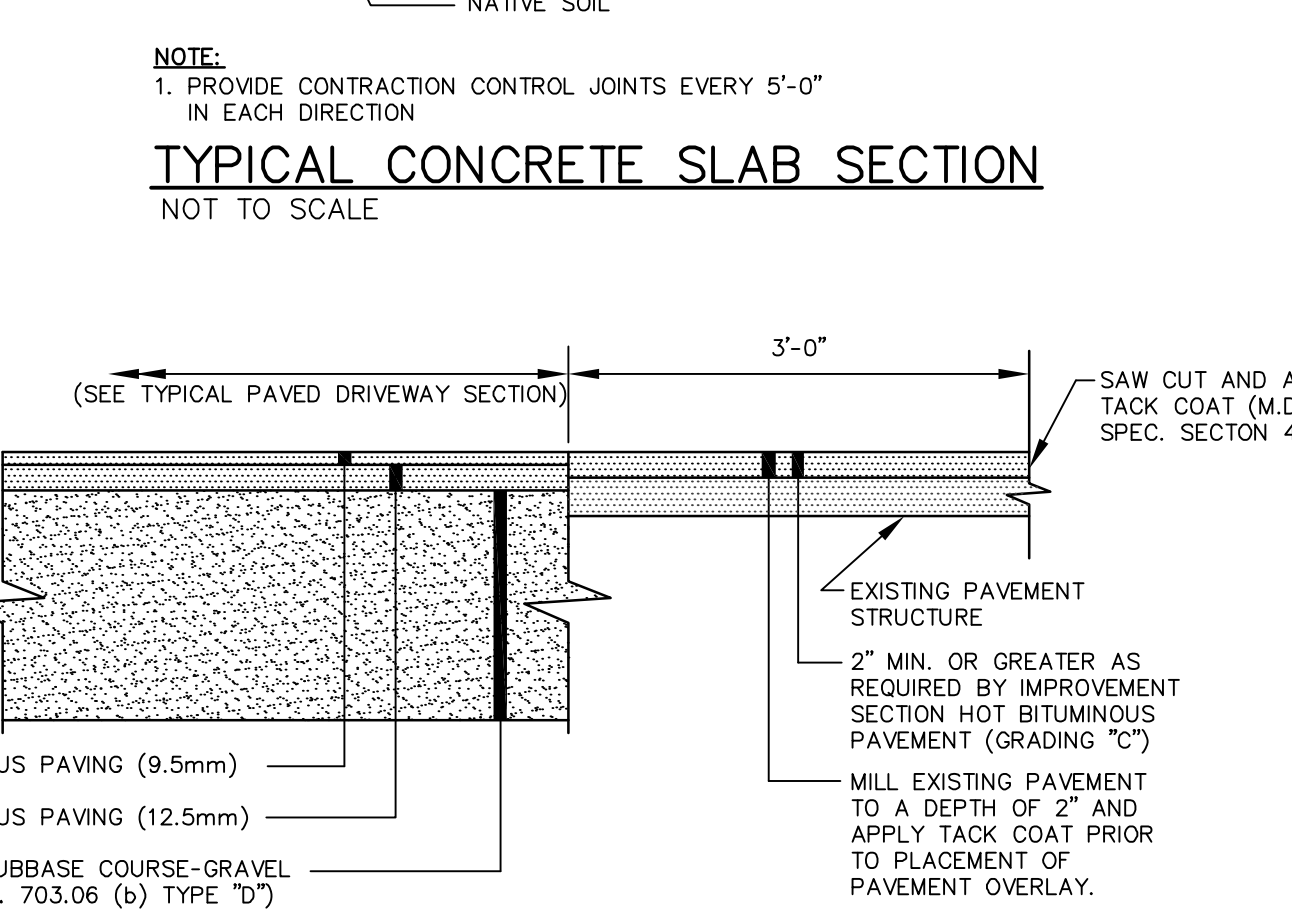
BRICK PEDESTRIAN RAMP
NOT TO SCALE

NOTE:
1. SEE BRICK SIDEWALK DETAILS FOR SECTION.

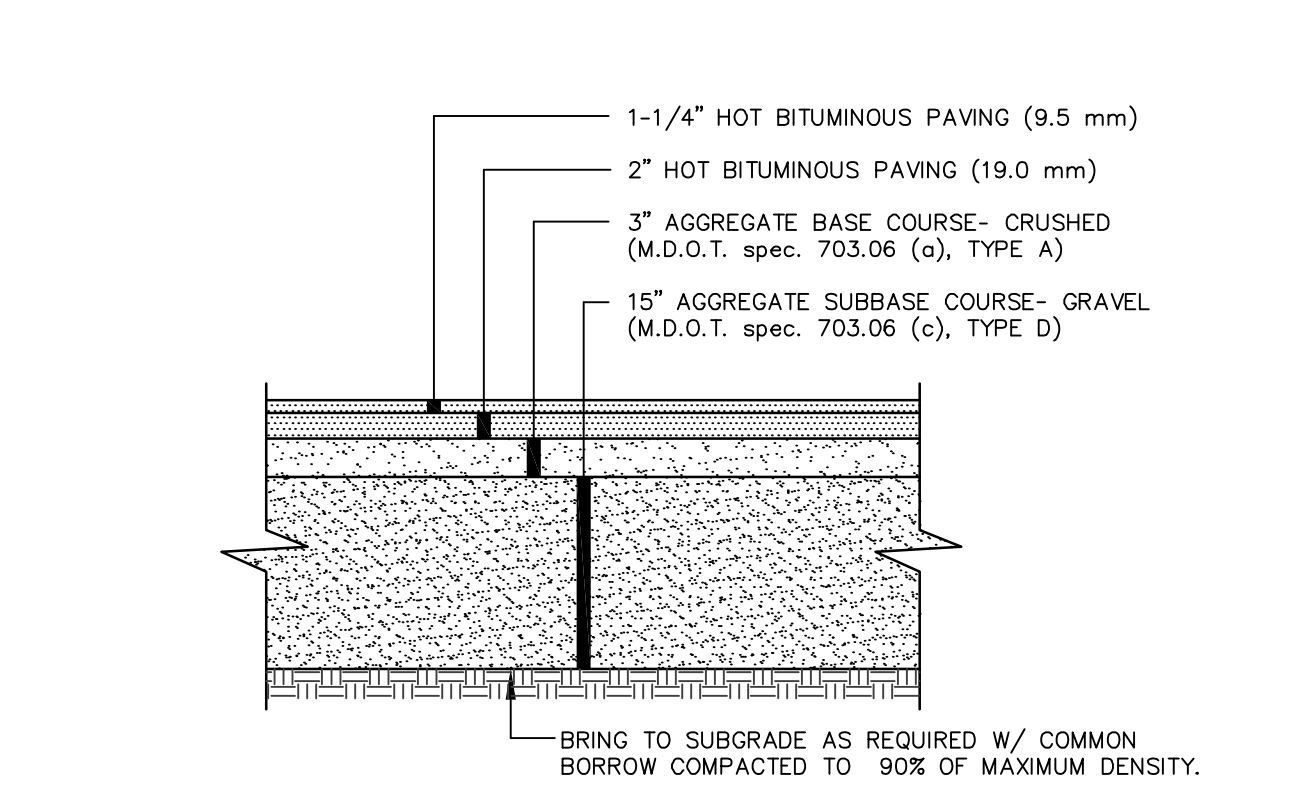


TYP. PAVED DRIVEWAY SECTION
NOT TO SCALE

NOTE:
1. COMPACT GRAVEL SUBBASE AND BASE COURSES TO 95% OF MAXIMUM DENSITY USING HEAVY ROLLER COMPACTION.
2. HOT MIX ASPHALT SURFACE COURSE SHALL BE COMPACTED TO 95% OF ITS THEORETICAL MAXIMUM DENSITY (ASTM D-2041). BASE COURSE SHALL BE COMPACTED TO 95% ± 2.5% OF ITS THEORETICAL MAXIMUM DENSITY (ASTM D-2041).
3. APPLY TACK COAT BETWEEN SUCCESSIVE LIFTS OF BITUMINOUS PAVEMENT.
4. CONTRACTOR SHALL SET GRADE STAKES MARKING SUBBASE AND FINISH GRADE ELEVATIONS FOR CONSTRUCTION REFERENCE.

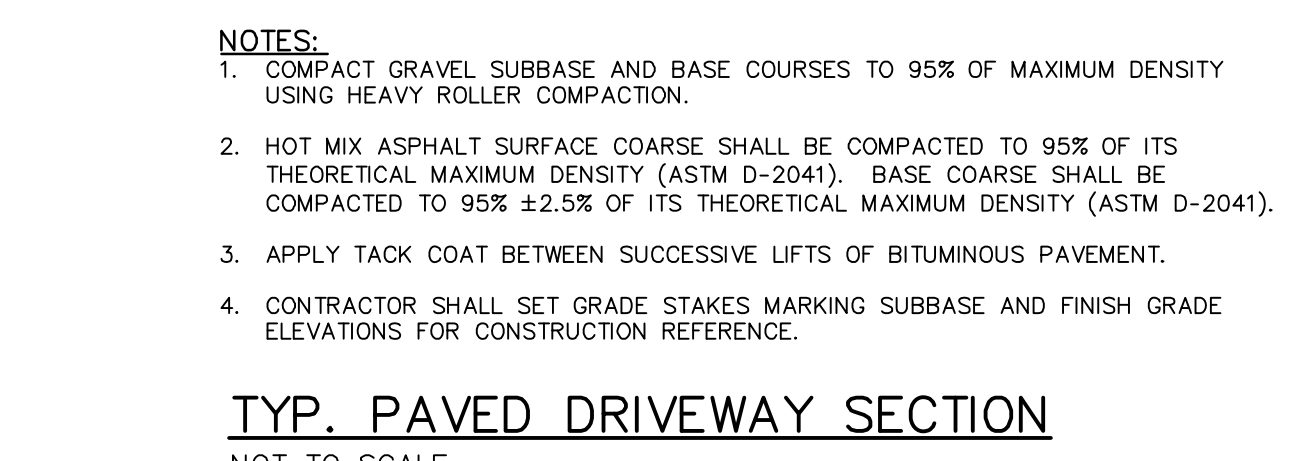


PAVEMENT SAW CUT DETAIL
NOT TO SCALE

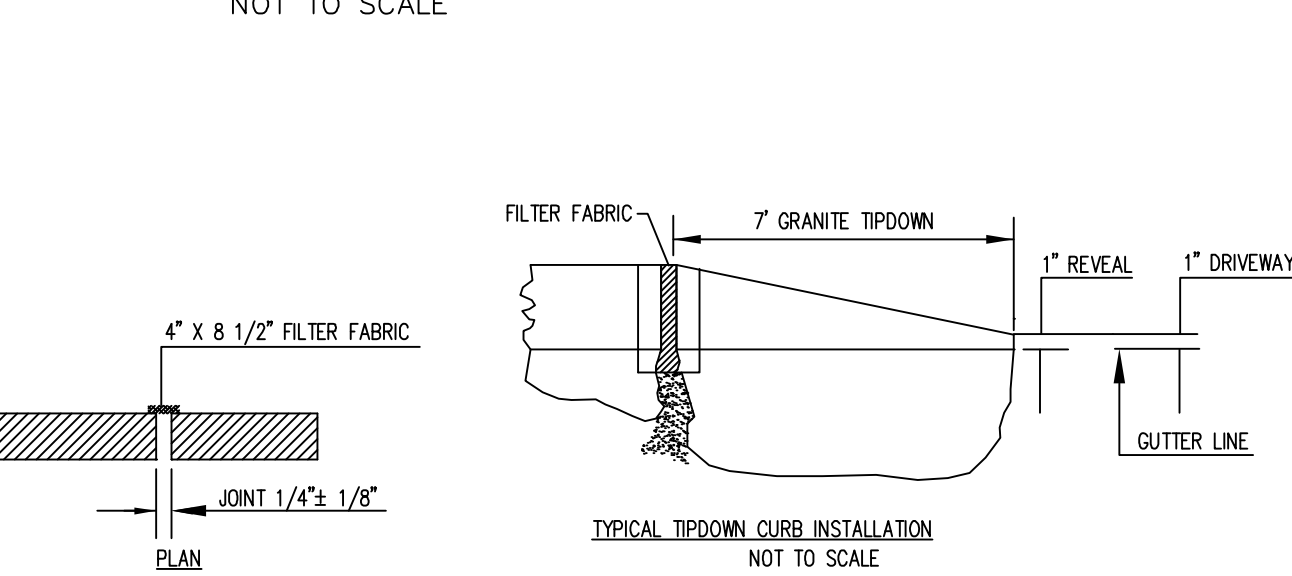


BRICK SIDEWALK DETAIL
NOT TO SCALE

NOTE: BORDER COURSE OF BRICK SHALL BE MORTARED TO PAVEMENT BASE.

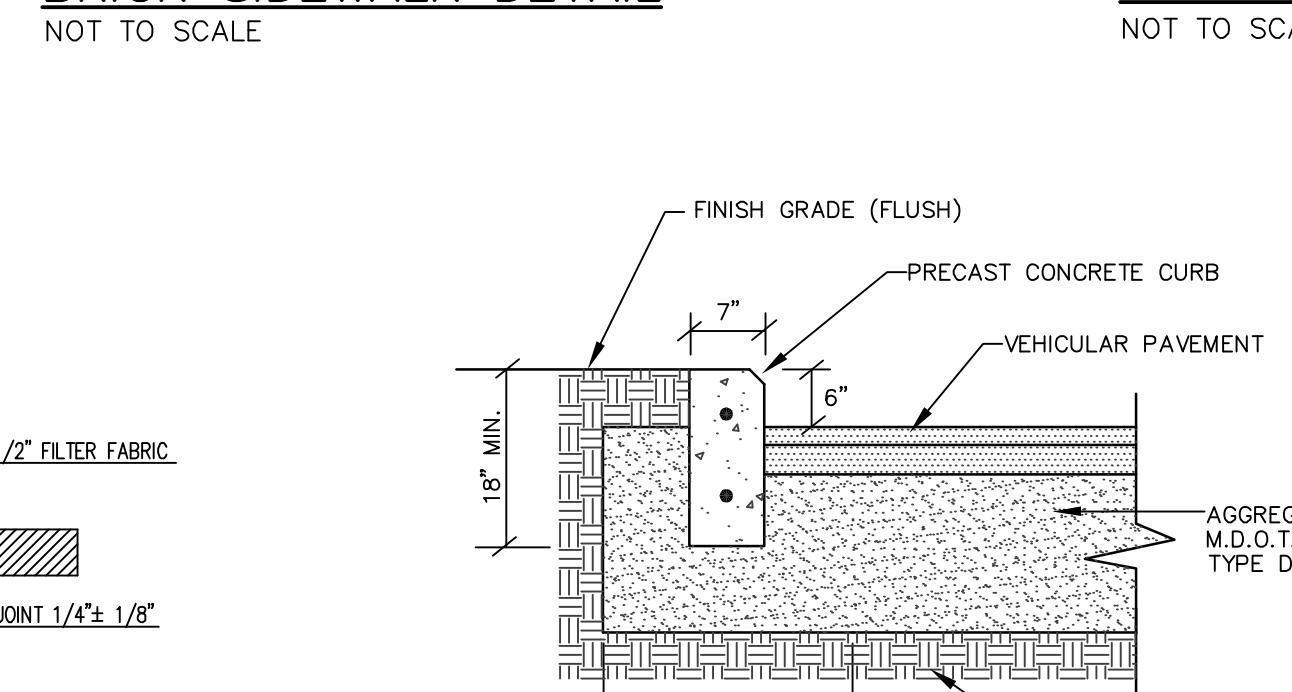


PRECAST CONCRETE CURB
NOT TO SCALE

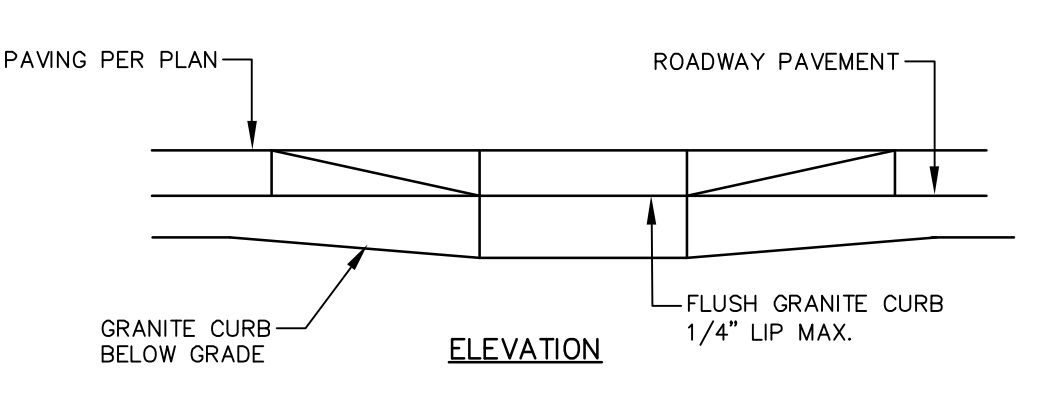


INSTALLATION OF CURB, TYPE 1
NOT TO SCALE

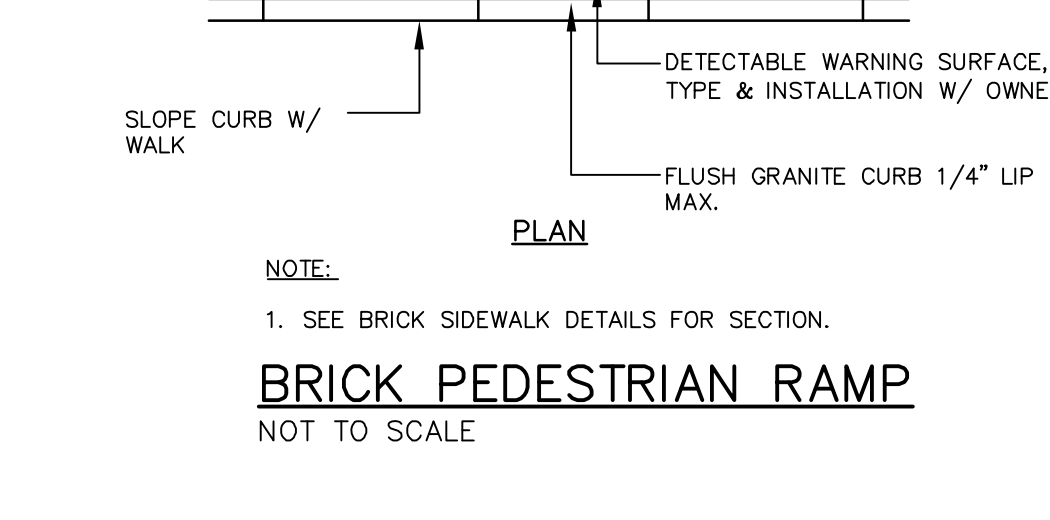
NOTE: NO GRANITE CURB SECTIONS SHALL BE INSTALLED LESS THAN 4 FT. IN LENGTH.



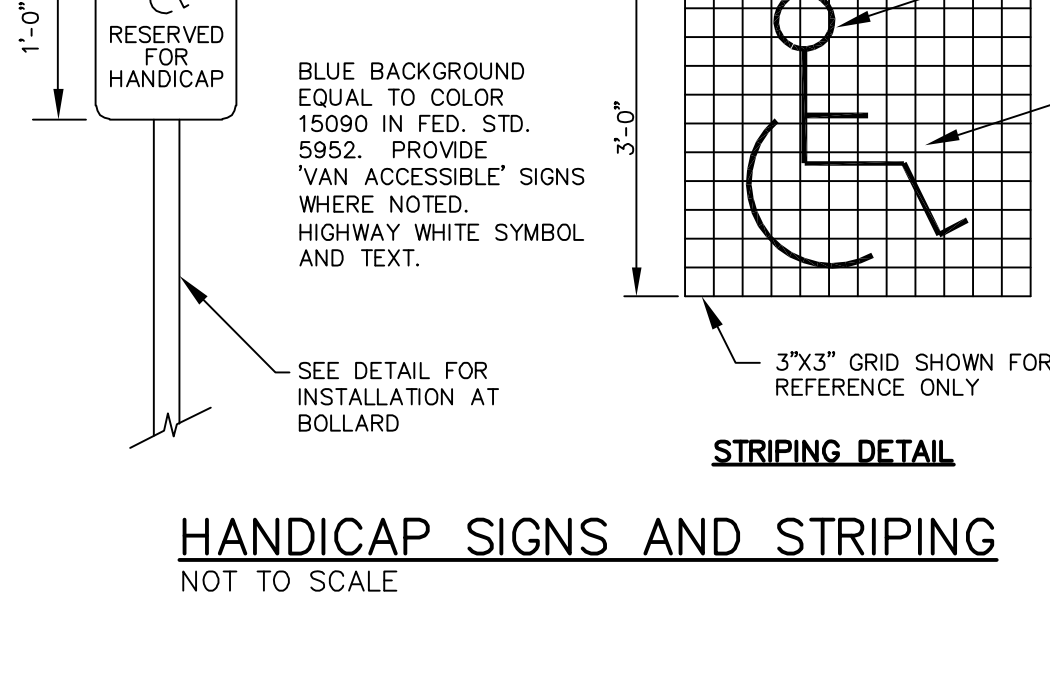
TYPE A-4 GRANITE CATCH BASIN INLET STONE DETAIL
(FOR EXISTING BASIN ON NEWBURY STREET/SALVAGE EXISTING STONE)
NOT TO SCALE



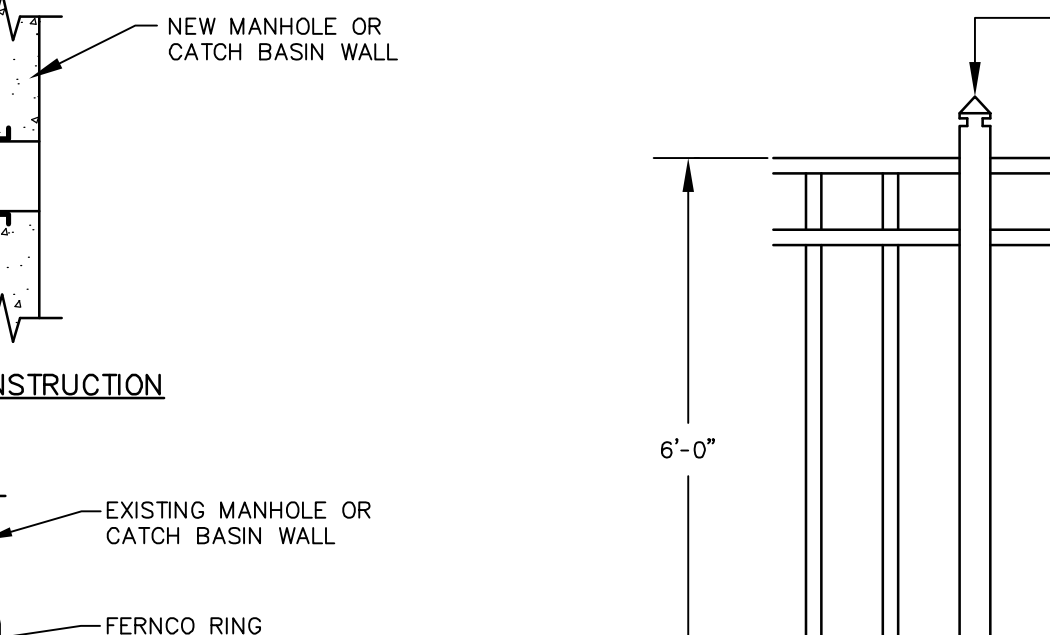
SIDEWALK RAMP DETECTABLE WARNING PANEL HISTORIC DISTRICTS AND LANDSCAPES)
NOT TO SCALE



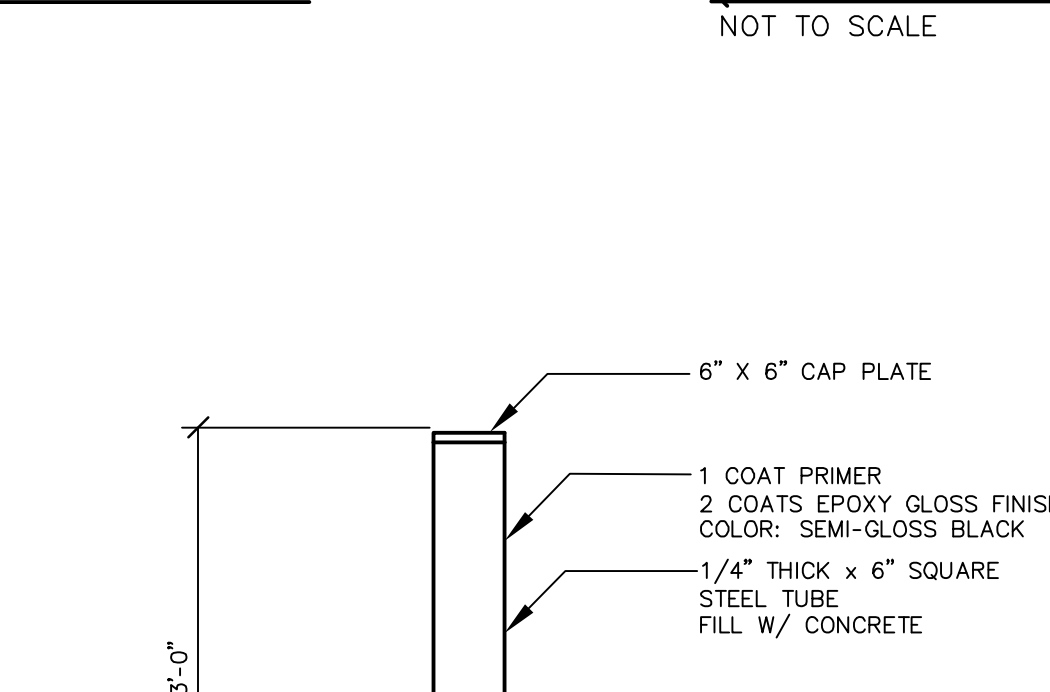
HANDICAP SIGNS AND STRIPING
NOT TO SCALE



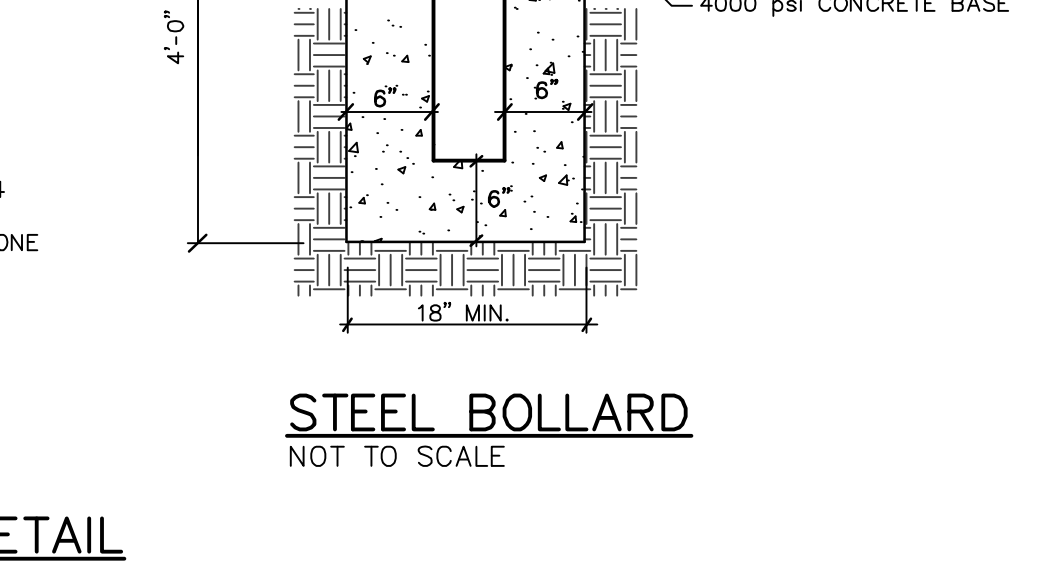
PLASTIC PIPE CONNECTIONS
NOT TO SCALE



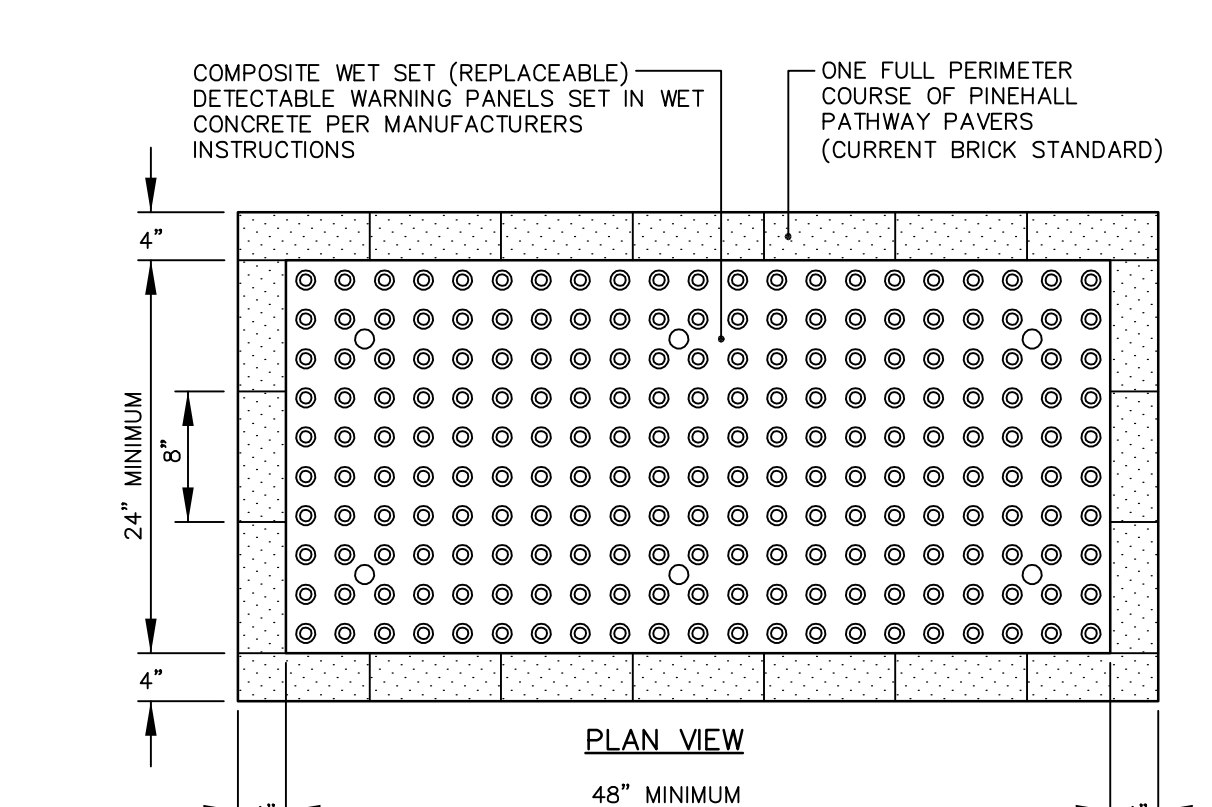
WROUGHT IRON FENCE (ALUMINUM TUBING)
NOT TO SCALE



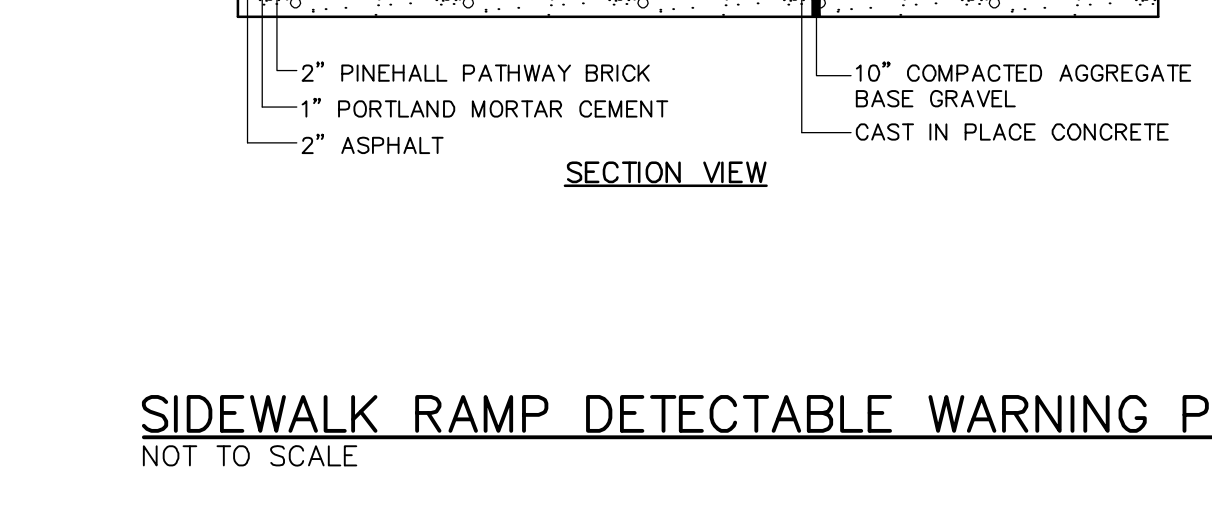
STEEL BOLLARD
NOT TO SCALE



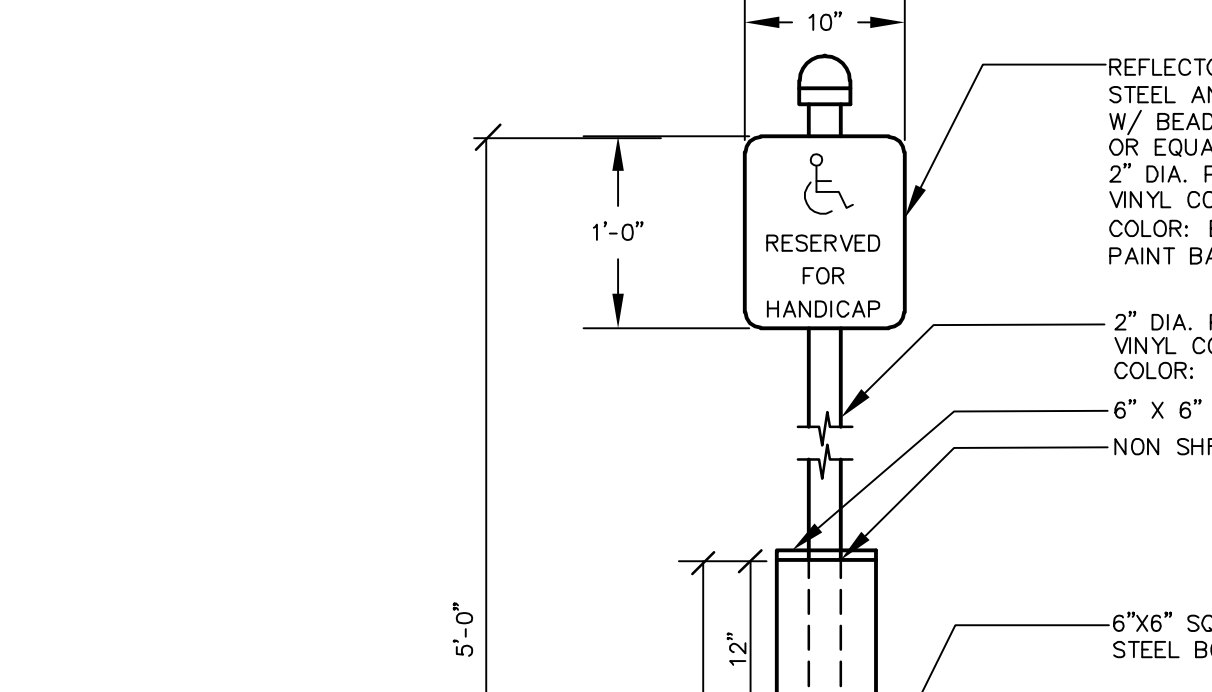
TYPICAL LIGHT POLE BASE
NOT TO SCALE



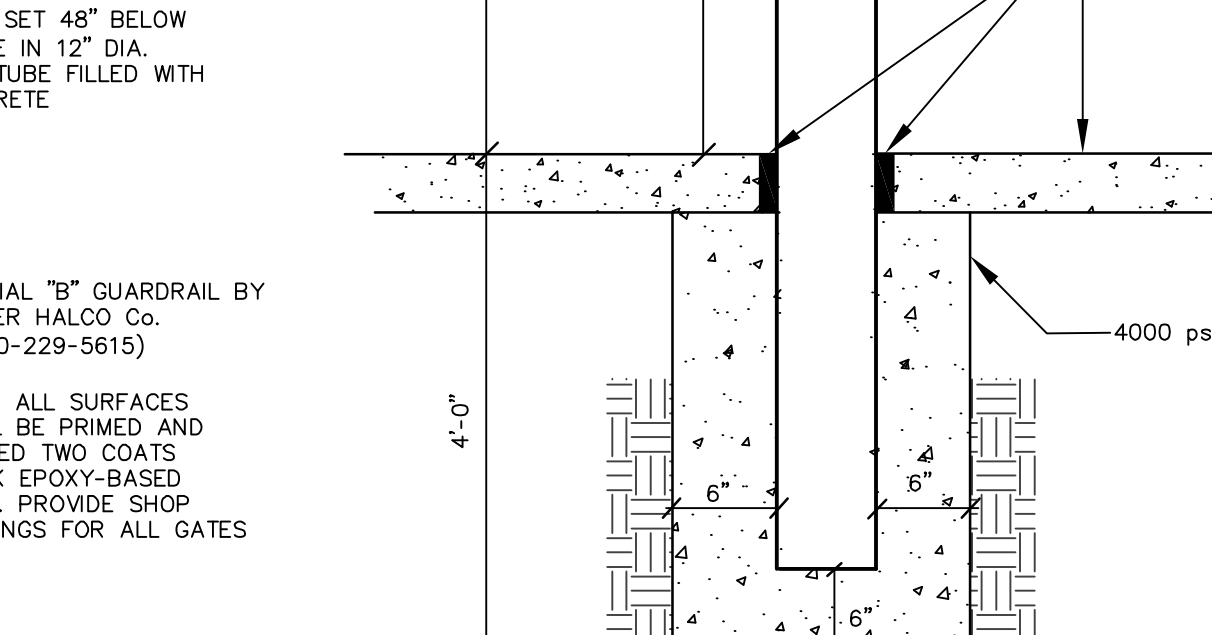
SIDEWALK RAMP DETECTABLE WARNING PANEL HISTORIC DISTRICTS AND LANDSCAPES)
NOT TO SCALE



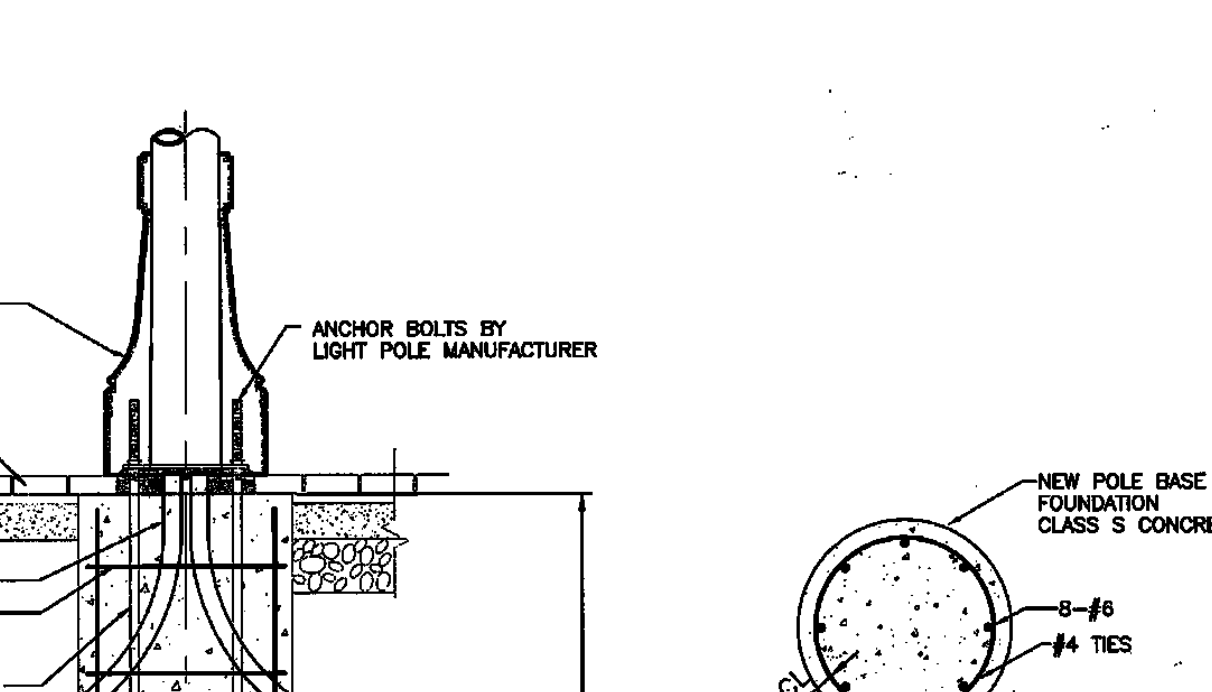
SIDEWALK RAMP DETECTABLE WARNING PANEL HISTORIC DISTRICTS AND LANDSCAPES)
NOT TO SCALE



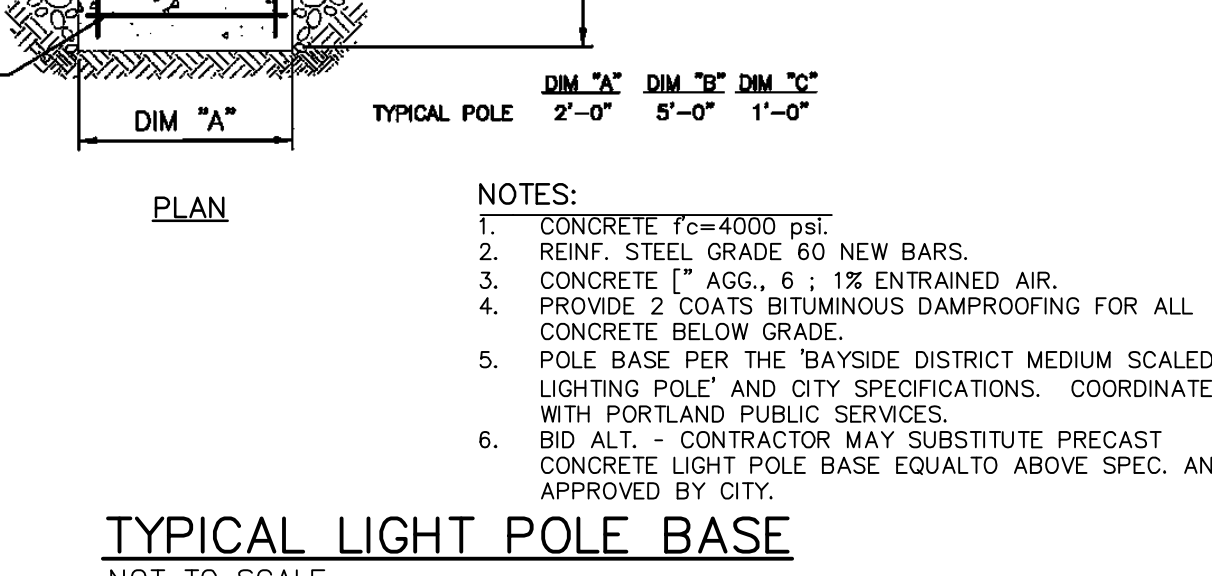
STEEL BOLLARD MOUNTED SIGN
NOT TO SCALE



SEWER / FOUNDATION DRAIN SERVICE CONNECTION
NOT TO SCALE

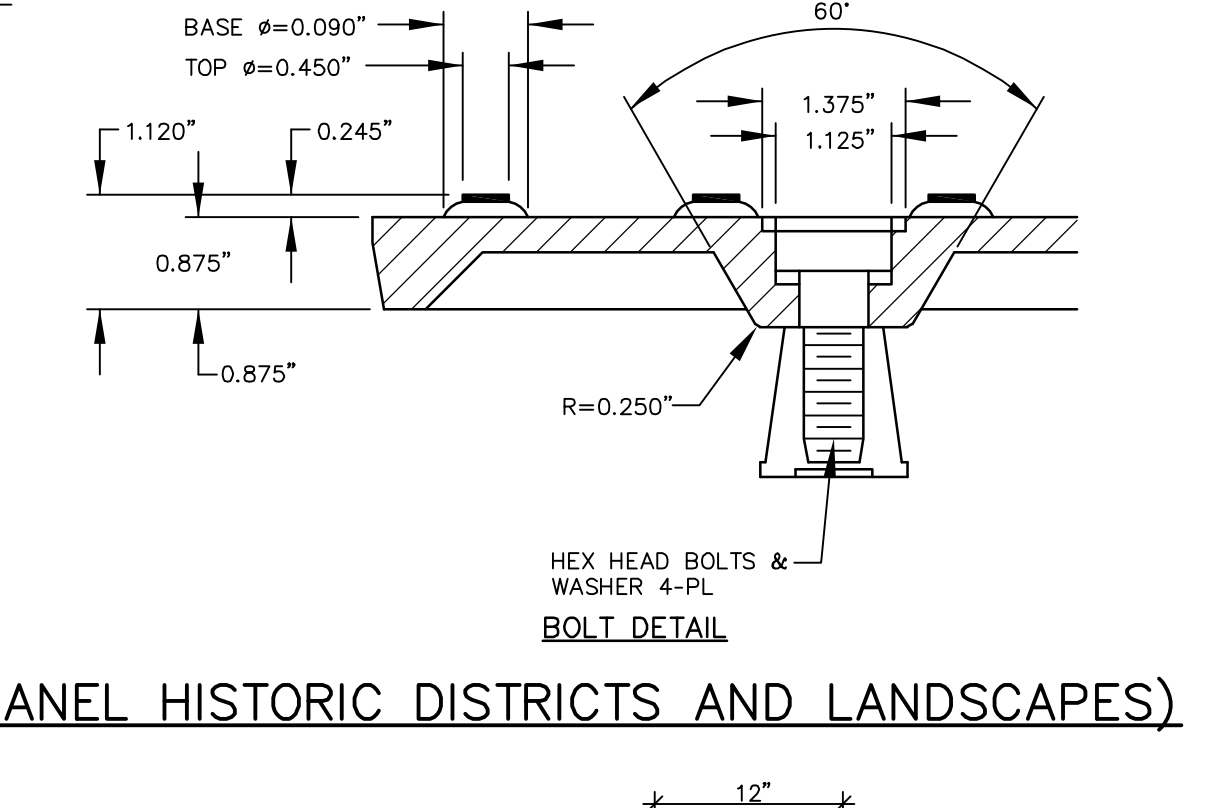


TYPICAL DRAINAGE MANHOLE/CATCH BASIN
NOT TO SCALE

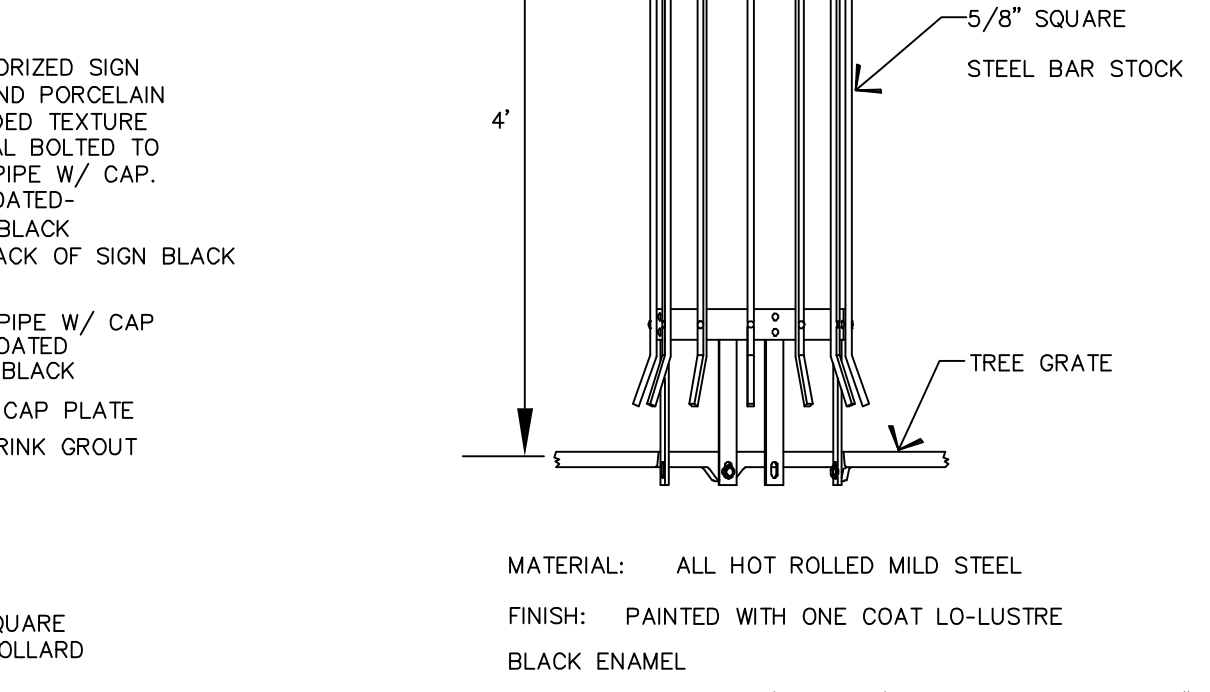


TYPICAL TREE GUARD
NOT TO SCALE

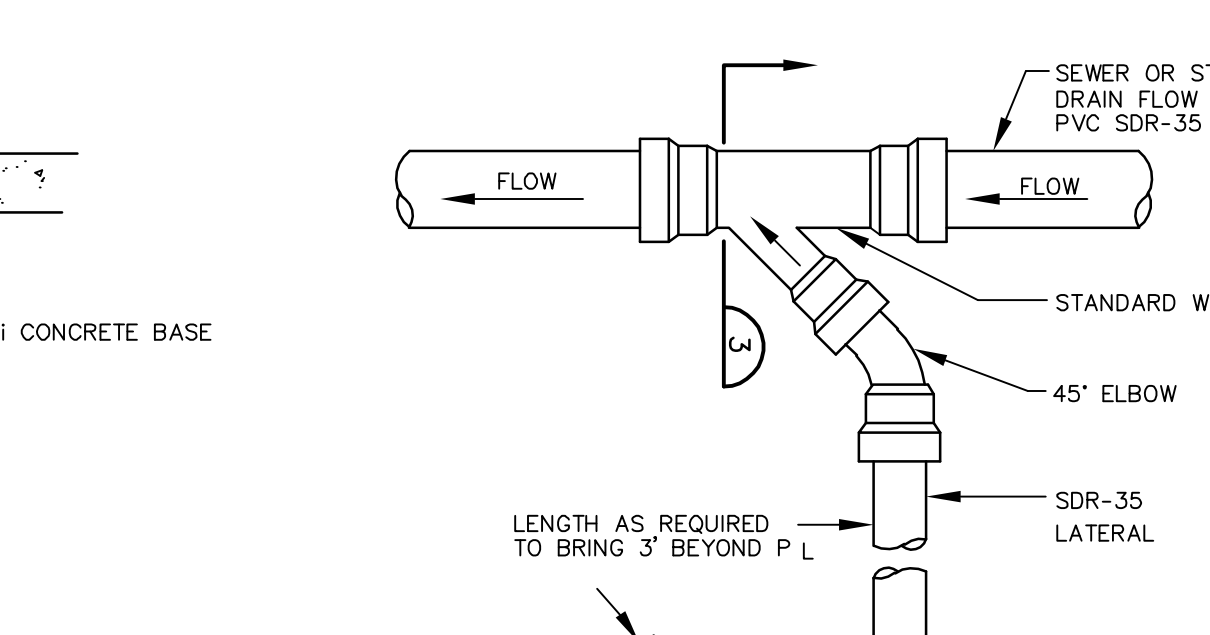
NOTES:
1. COMPOSITE WET SET (REPLACEABLE) DETECTABLE WARNING PANELS SHALL BE AS MANUFACTURED BY ADA SOLUTIONS, INC. (WWW.ADASOLUTIONS.COM), OR APPROVED EQUAL.
2. CAST IN PLACE CONCRETE SHALL MEET SPECIFICATIONS FOR MAINE D.O.T. CLASS A STRUCTURAL CONCRETE, MINIMUM COMPRESSIVE STRENGTH 4,000 PSI. THE CONCRETE SHALL BE SEALED PRIOR TO SETTING PANELS.
3. TRUNCATED DOMES SHALL BE ALIGNED IN ROWS PARALLEL AND PERPENDICULAR TO THE PREDOMINANT DIRECTION OF TRAVEL. NO OTHER DETECTABLE WARNING DESIGN OR CONFIGURATION IS ALLOWED.
4. FOR ALL DETECTABLE WARNING PANELS, WITHIN OR ADJACENT HISTORIC DISTRICTS AND HISTORIC LANDSCAPES, DARK GRAY COLORED (#36118) PANELS SHALL BE USED. FOLLOW MANUFACTURER'S INSTRUCTIONS FOR INSTALLATION.
5. THE DETECTABLE WARNING PANEL SHALL HAVE ONE FULL COURSE OF PINWHEEL PATHWAY PAVERS (THE CURRENT BRICK STANDARD) AROUND THE FULL PERIMETER OF THE PANEL. THIS PERIMETER COURSE SHALL BE SET USING PORTLAND MORTAR CEMENT TO CREATE A FLUSH SURFACE BETWEEN THE BRICK AND THE PANEL.
6. SIZE THE DETECTABLE WARNING PANEL(S) SHALL EXTEND 24 INCHES MINIMUM IN THE DIRECTION OF TRAVEL AND THE FULL WIDTH OF THE CURB RAMP, LANDING, OR BLENDED TRANSITION TO THE STREET.
7. ORIENTATION: THE DETECTABLE WARNING PANEL SHALL BE LOCATED SO THAT THE EDGE NEAREST THE CURB LINE IS 6 INCHES MINIMUM AND 8 INCHES MAXIMUM FROM THE CURB LINE. THE PANEL SHALL BE ORIENTED TO THE DIRECTION OF TRAVEL AS IDENTIFIED BY THE POINT OF EGRESS.



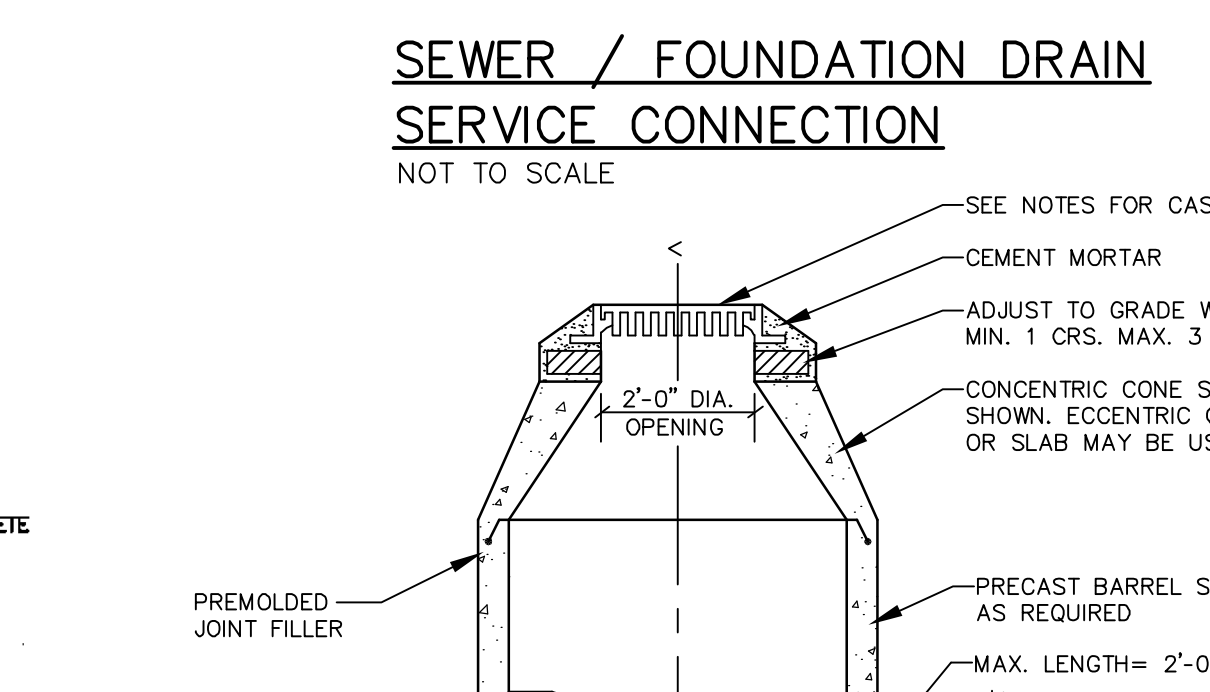
HEX HEAD BOLTS & WASHER 4-PL BOLT DETAIL



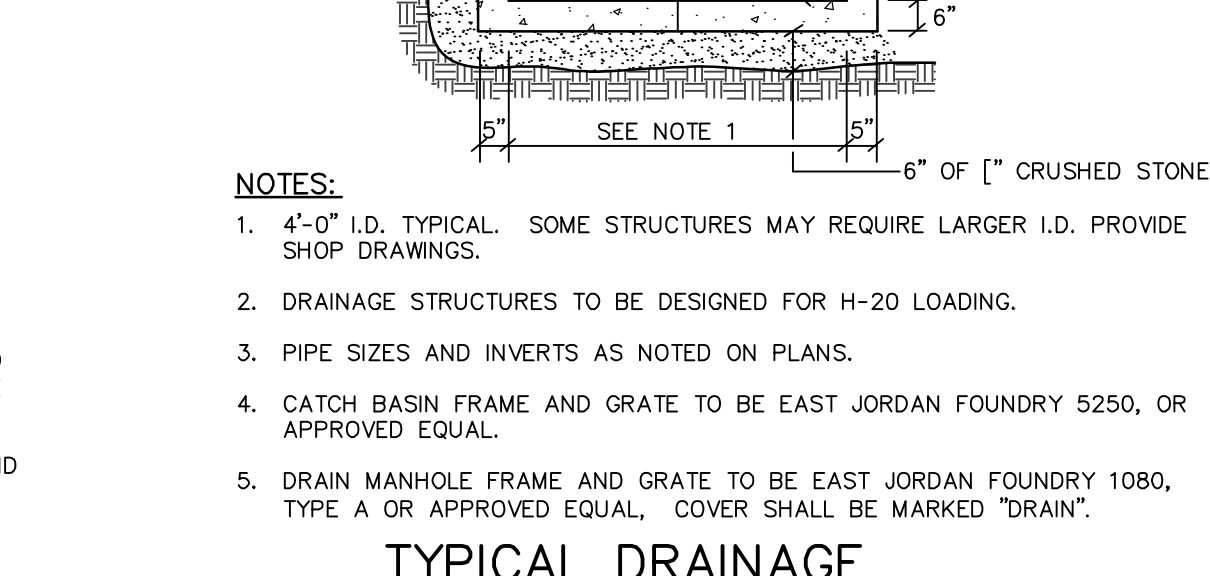
TYPICAL TREE GUARD
NOT TO SCALE



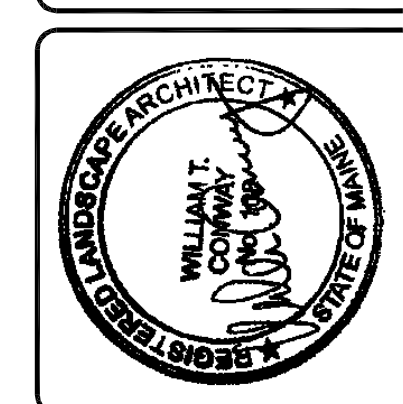
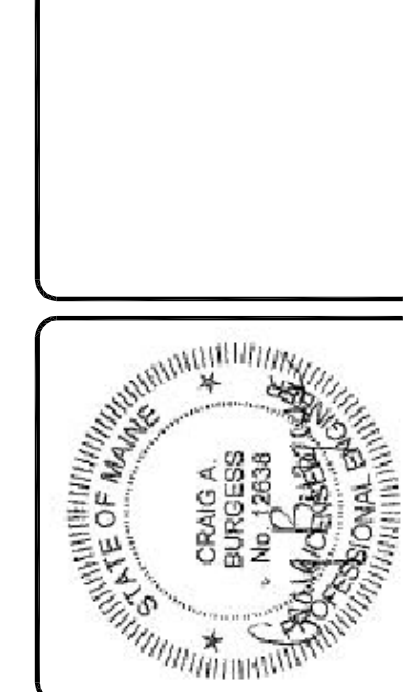
SEWER / FOUNDATION DRAIN SERVICE CONNECTION
NOT TO SCALE



TYPICAL DRAINAGE MANHOLE/CATCH BASIN
NOT TO SCALE



TYPICAL TREE GUARD
NOT TO SCALE



| DESIGNED | CHECKED |
|---------------|---------------------------------------------|
| WTC | WTC |
| C WTC 5-13-16 | CITY SUBMITTAL NO. 3 |
| B WTC 4-11-16 | CITY SUBMITTAL NO. 2 |
| A WTC 3-4-16 | SUBMITTED FOR SITE PLAN REVIEW AND APPROVAL |
| DATE: | STATUS: |

THIS PLAN SHALL NOT BE MODIFIED WITHOUT WRITTEN PERMISSION FROM SEBAGO TECHNIQUES, INC. ANY ALTERATIONS, ADDITIONS OR DELETIONS SHALL BE AT THE USER'S SOLE RISK AND WITHOUT LIABILITY TO SEBAGO TECHNIQUES, INC.

SEBAGO
TECHNIQUES, INC.
WWW.SEBOGOTECHNIQUES.COM
75 John Bates Rd.
South Portland, ME 04106
Tel: 207-782-3656

SEBAGO
TECHNIQUES, INC.
75 John Bates Rd.
South Portland, ME 04106
Tel: 207-782-3656

INDIA NEWBURY RESIDENCES, LLC

DETAILS OF:
50-62 INDIA STREET
PORTLAND, MAINE
FOR:
INDIA NEWBURY RESIDENCES, LLC
35 FAIR ST., SUITE 107B
ROXBURY, MA 02119

PROJECT NO. 14164
SCALE: NTS
SHEET 11 OF 11