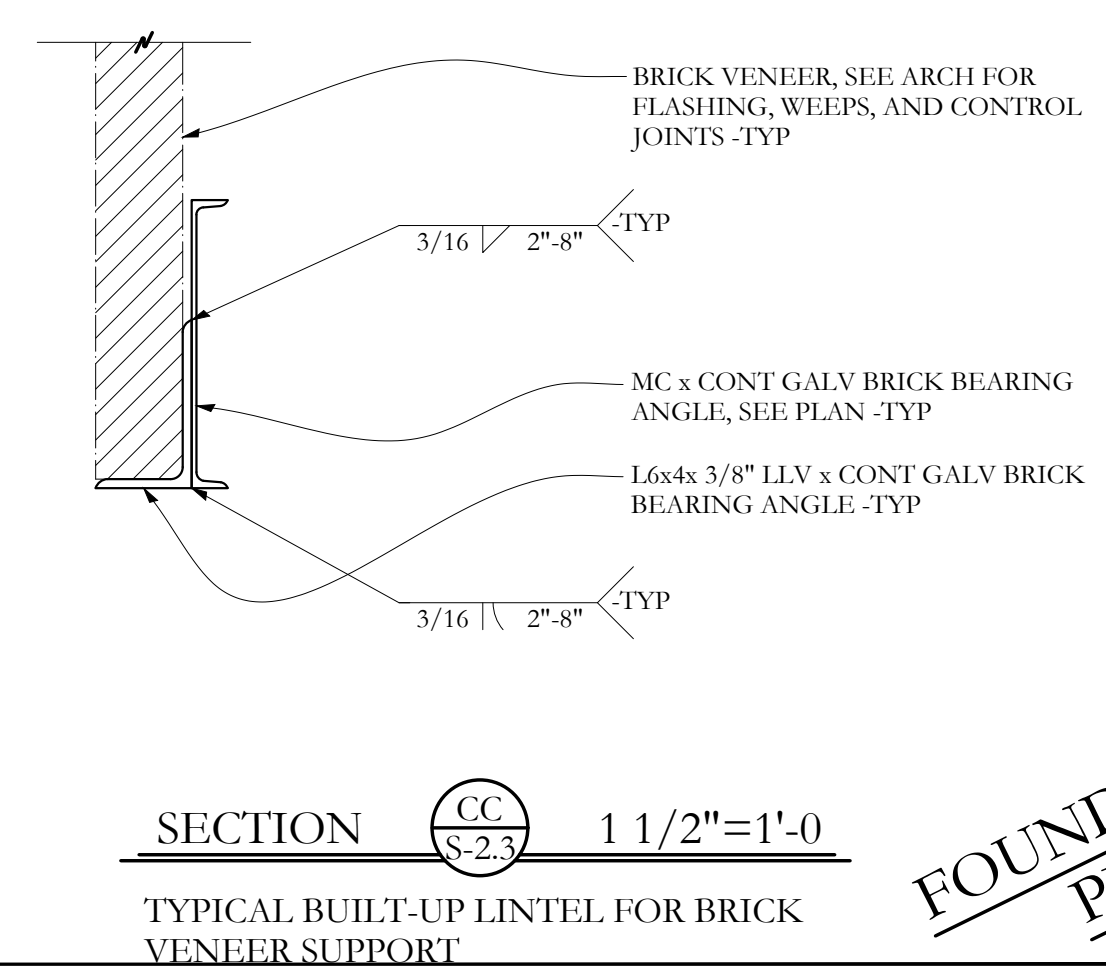
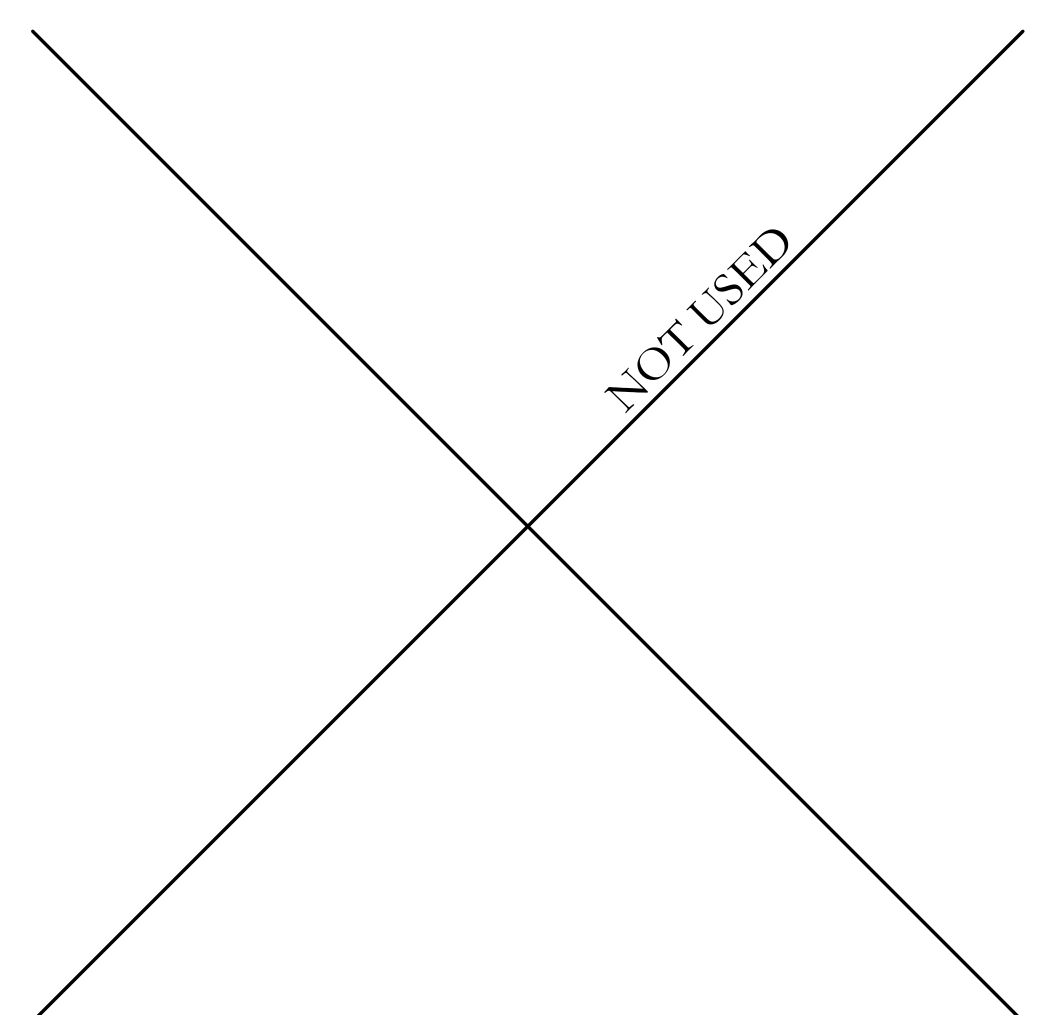
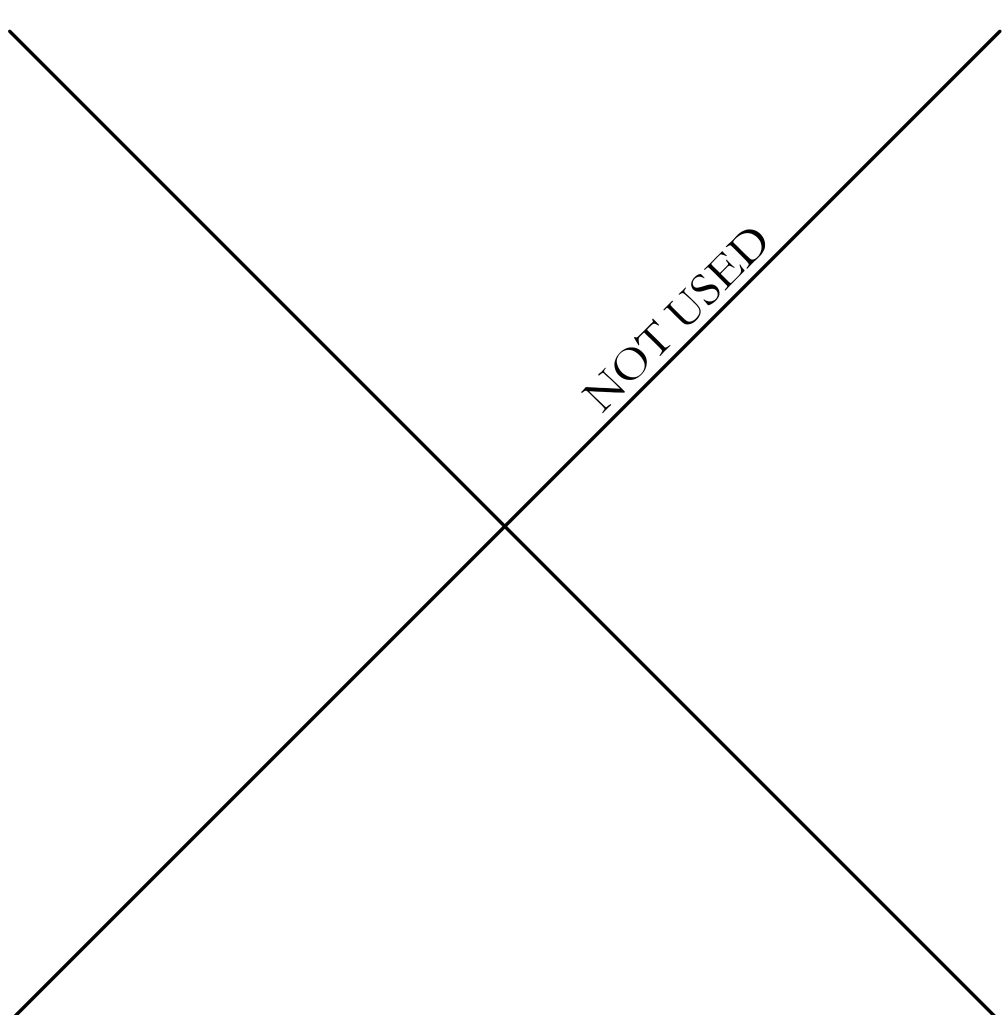
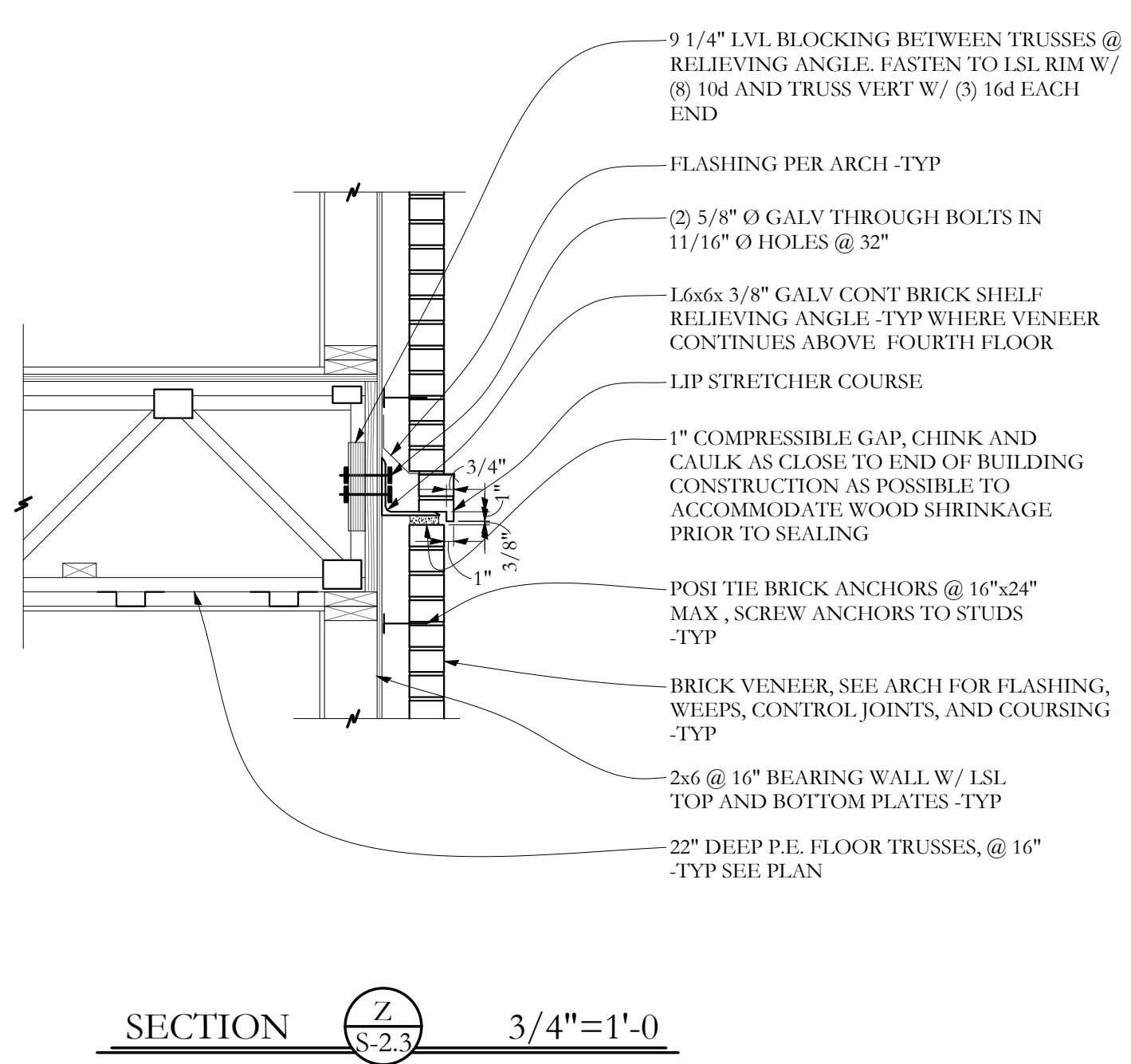
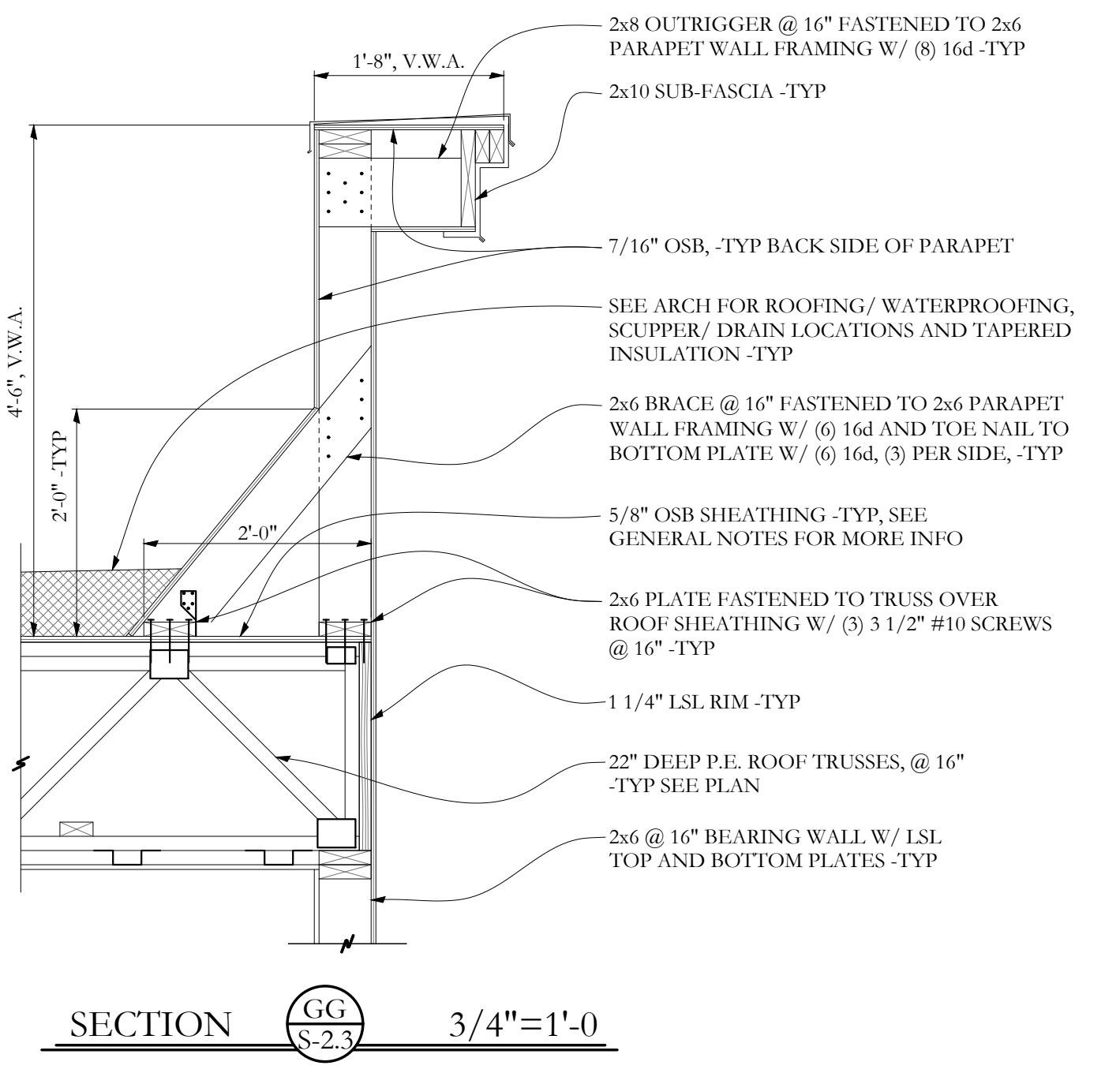
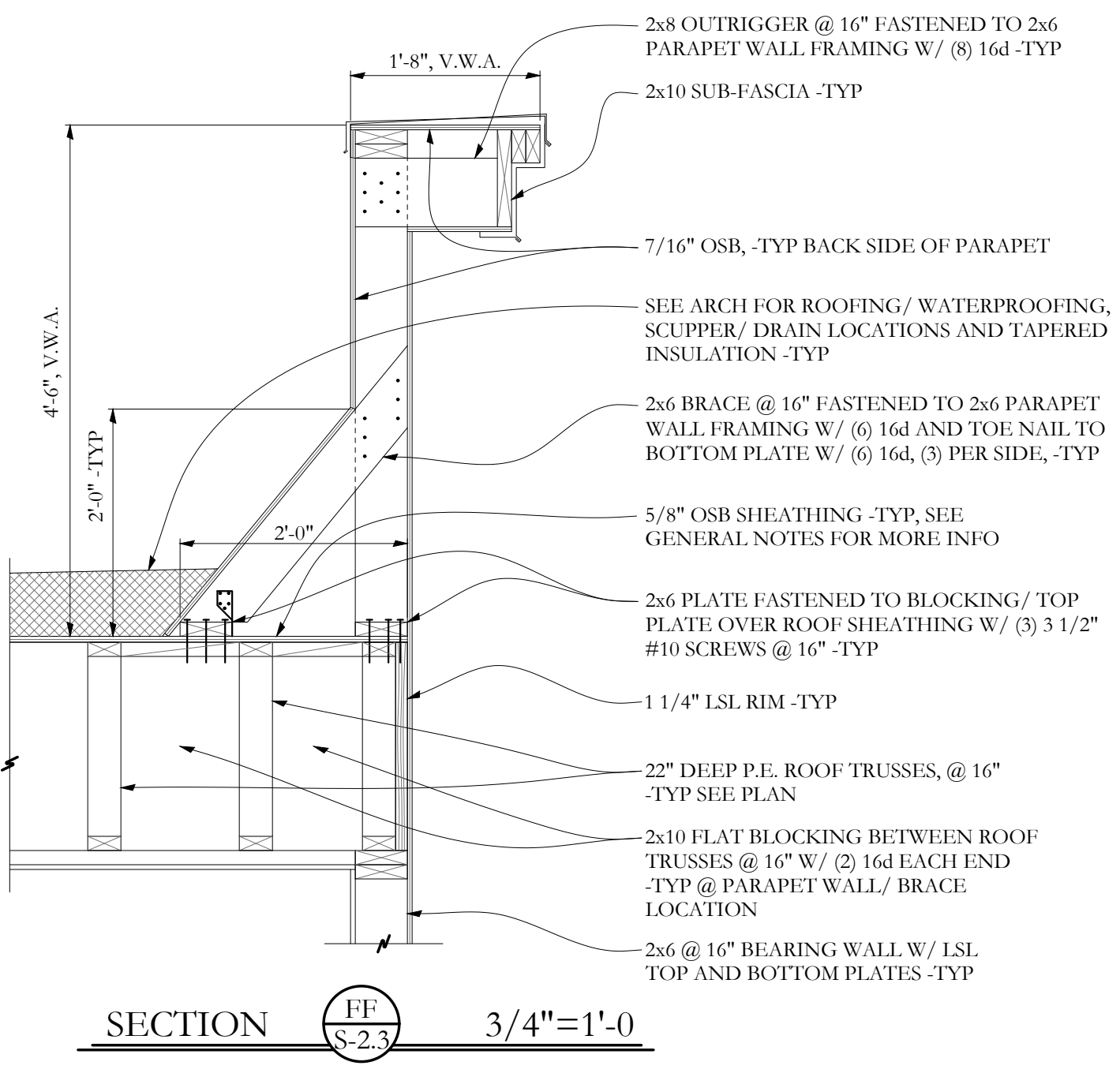
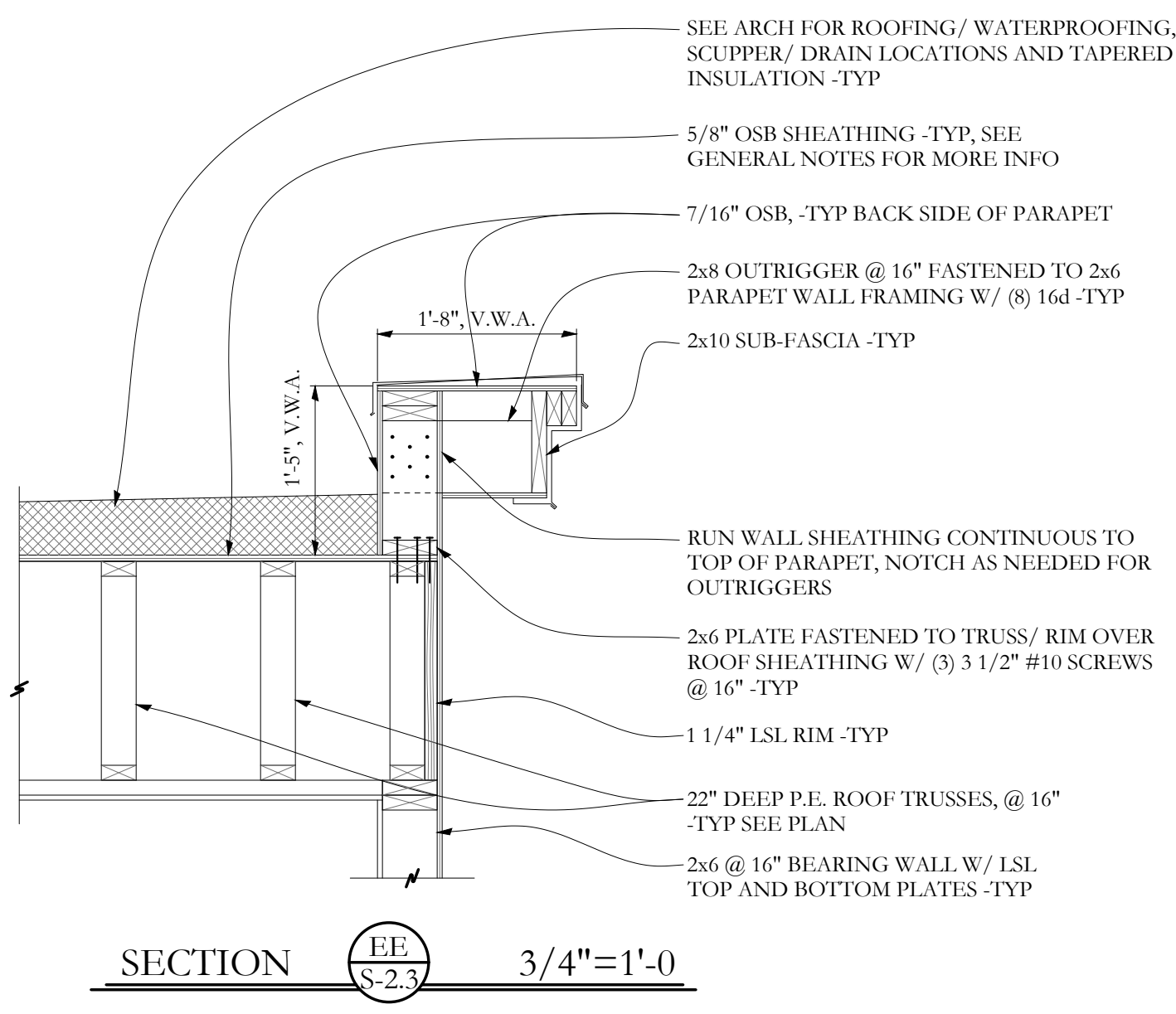
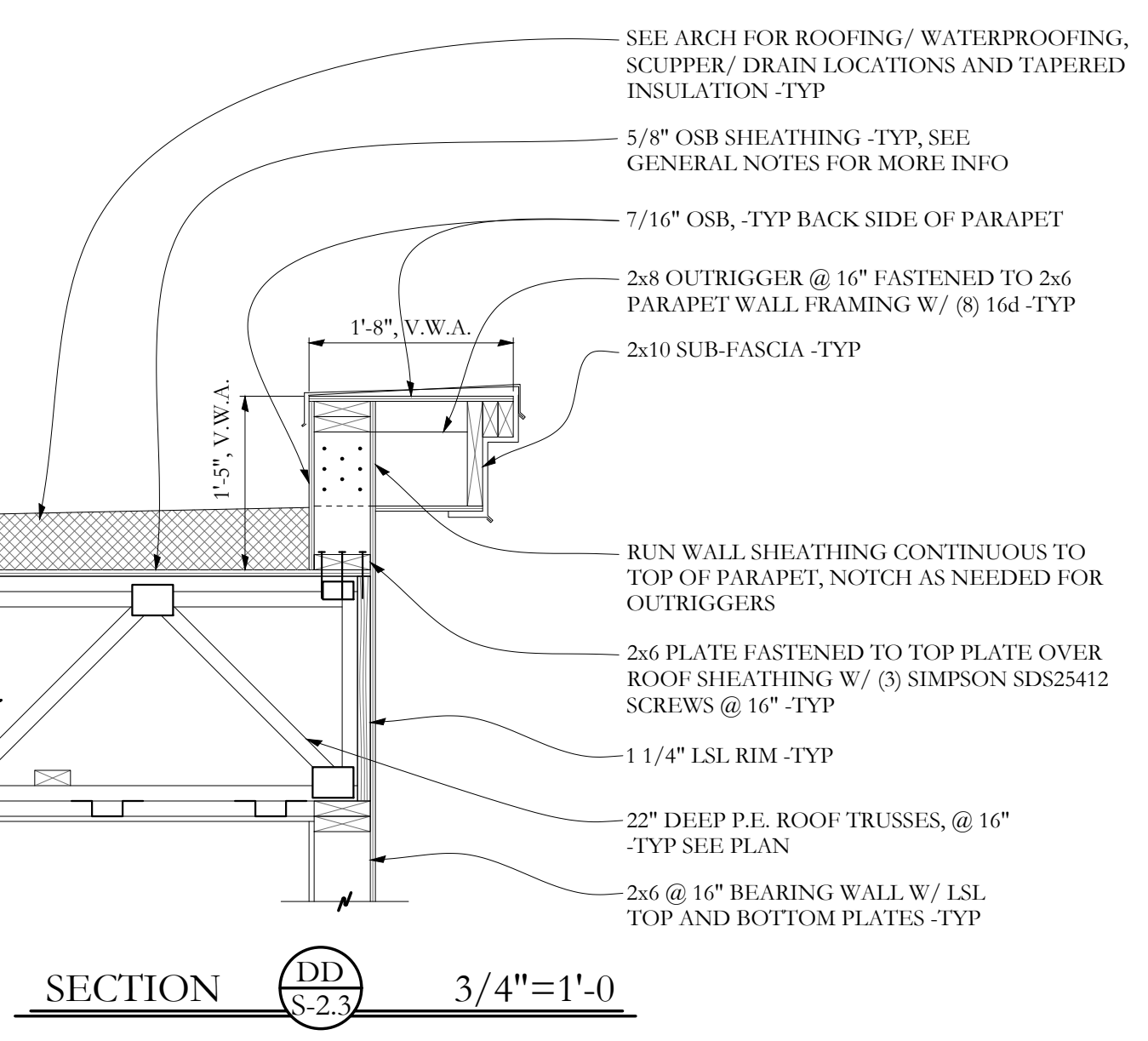
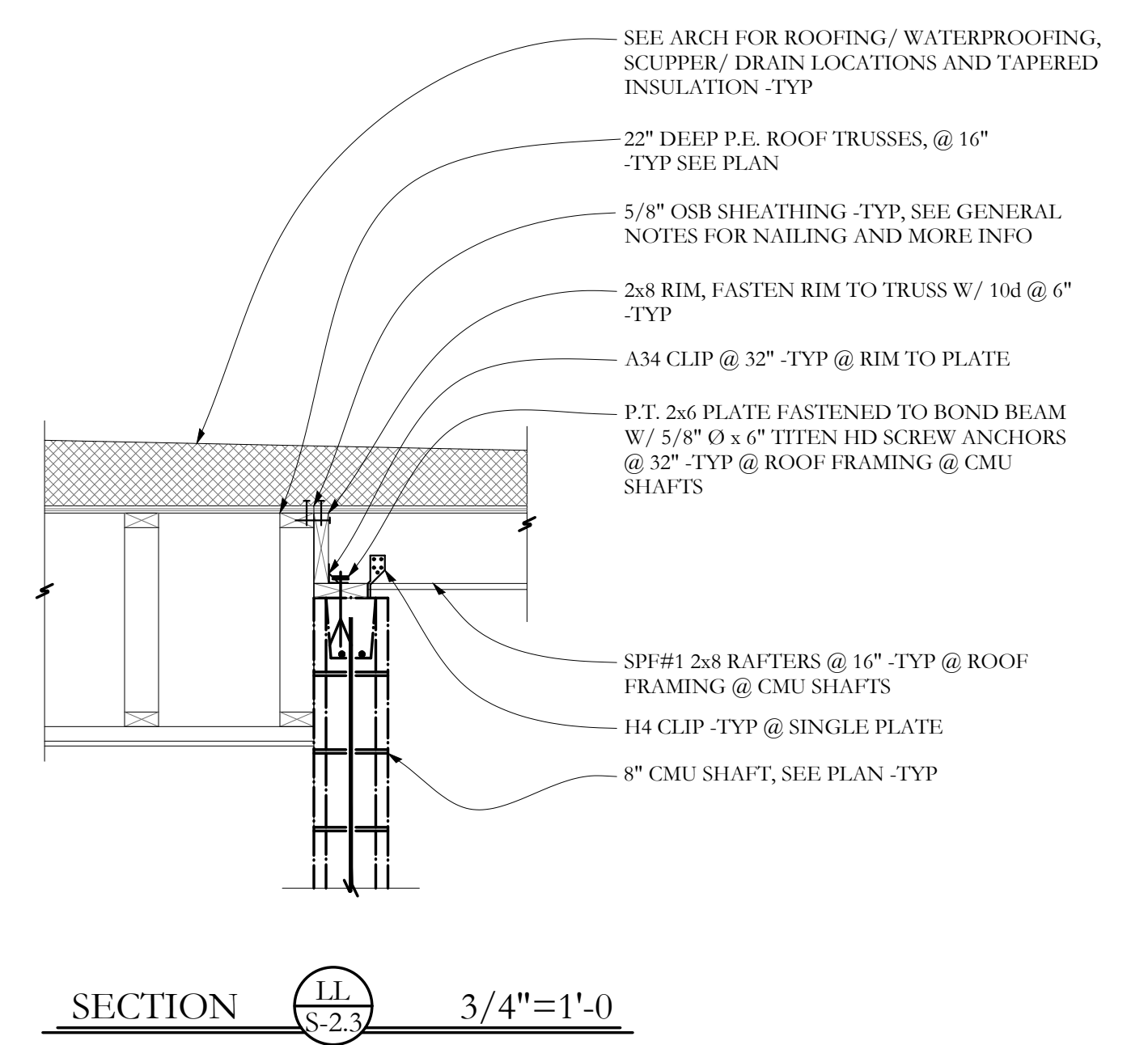
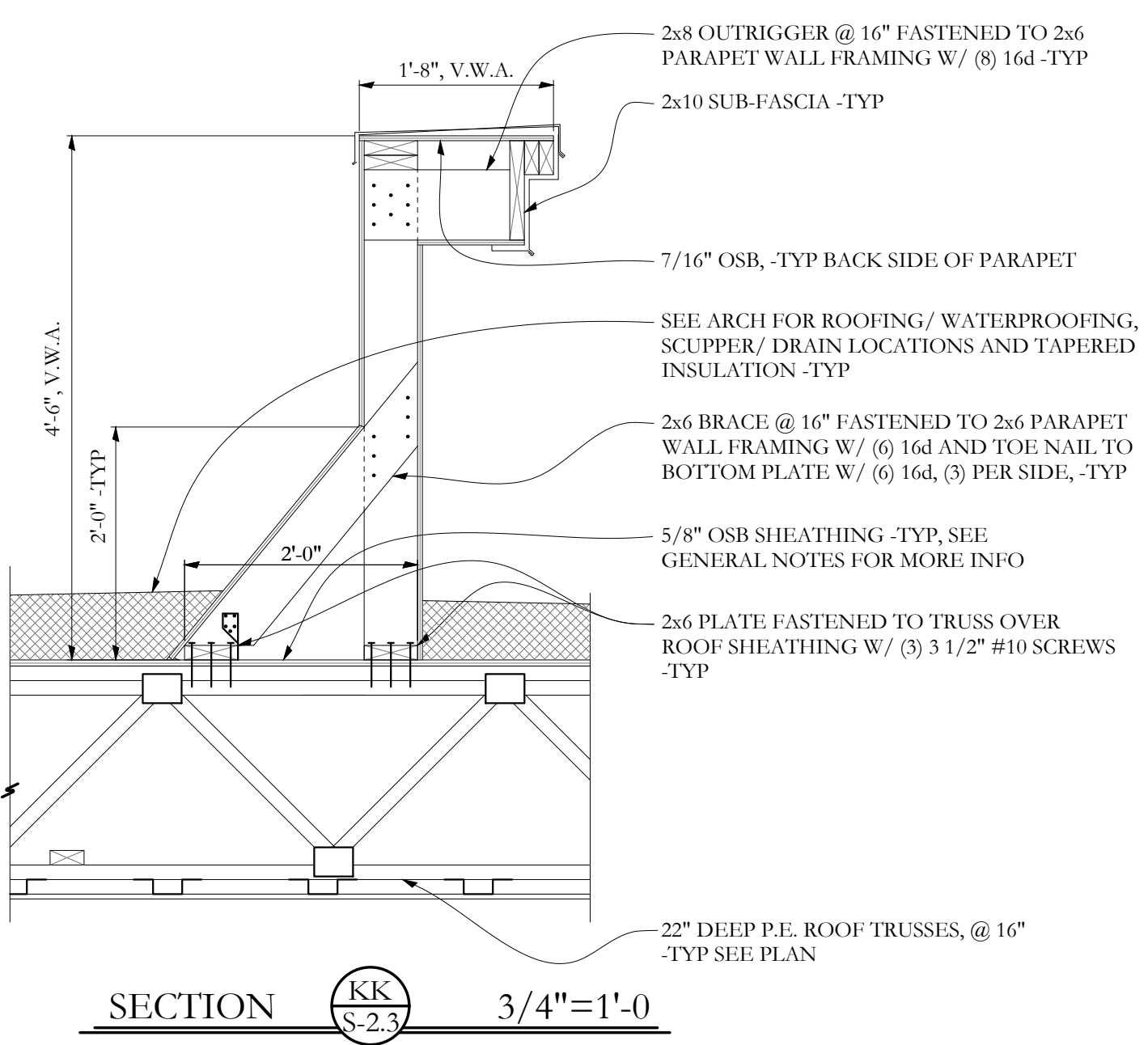
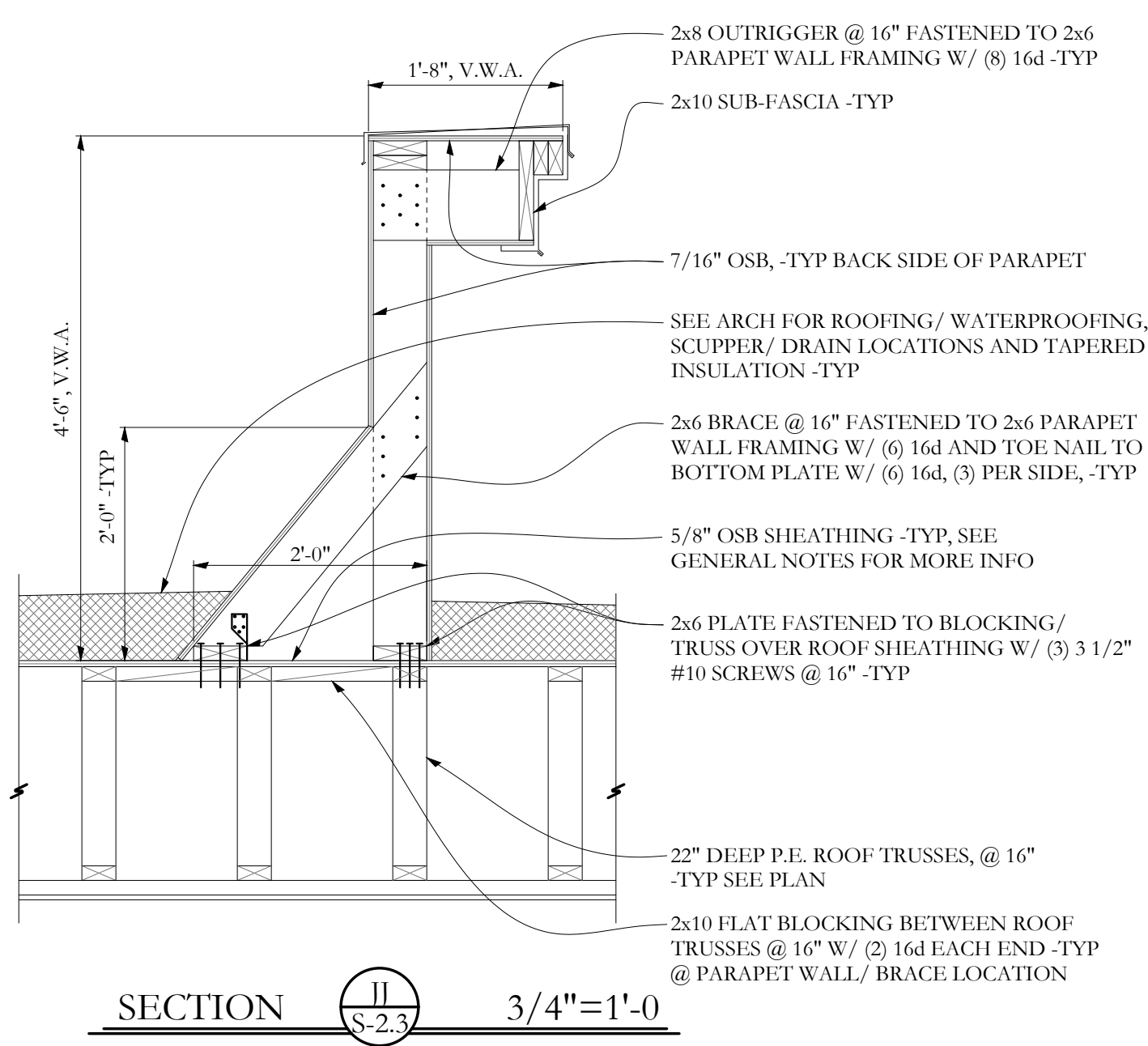
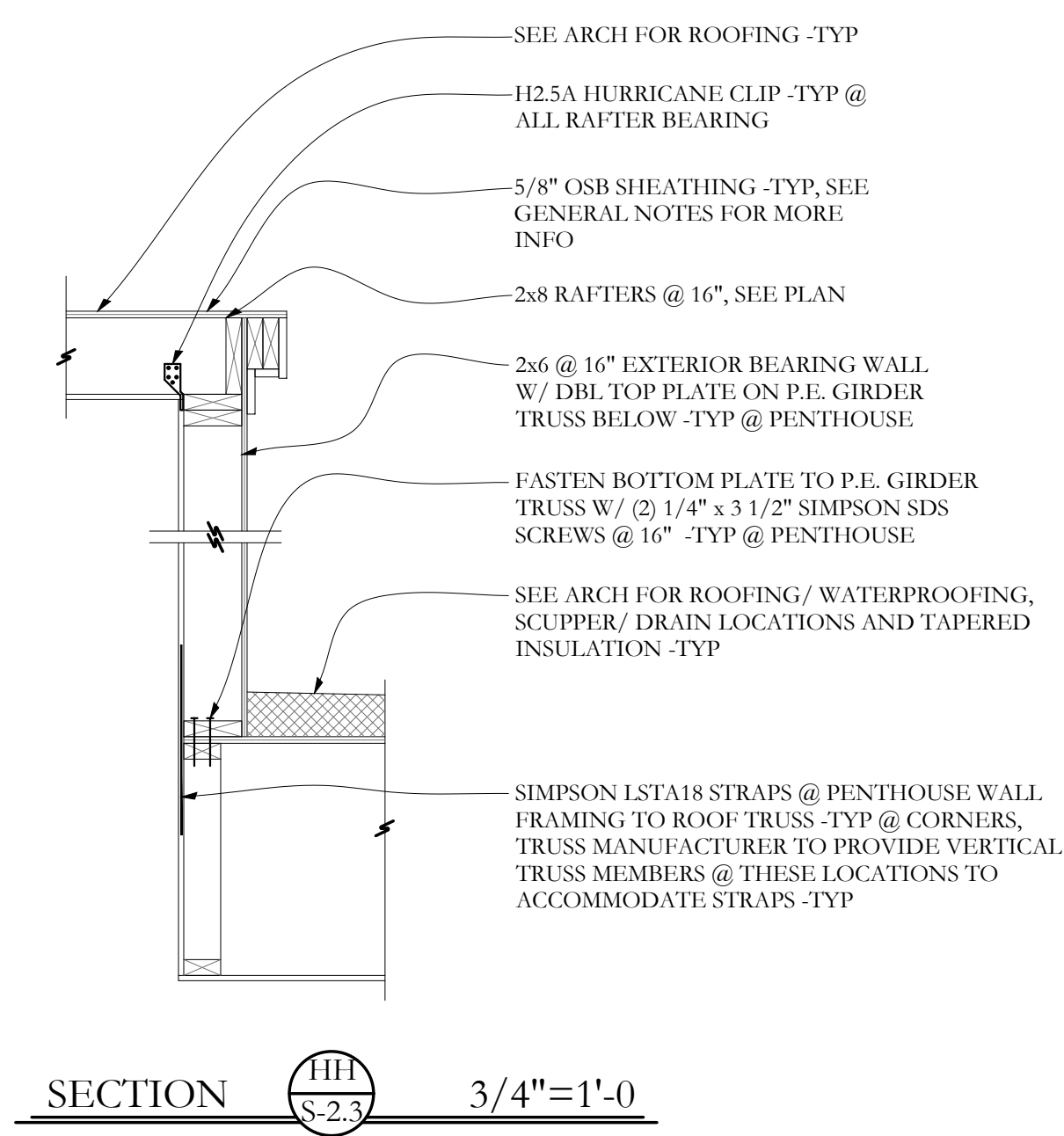


COPYRIGHT: Reuse or reproduction of the contents of this document is not permitted without written permission of Structural Integrity Consulting Engineers, Inc.



FOUNDATION ONLY PERMIT SET

77 Oak Street
 Portland, ME 04101
 P: 207-774-4614
 F: 866-793-7635
 www.structuralintegrity.com
 BUILD WITH CONFIDENCE
 © 2016 Structural Integrity Consulting Engineers, Inc.

Structural Integrity
 Consulting Engineers

OWNER: **INDIA/ NEWBURY RESIDENCES, LLC.**
 PROJECT NAME: **62 INDIA ST**
 Portland, Maine

DRAWN BY: **JCS**
 SHEET TITLE: **SECTIONS**

ISSUE DATE: **07.08.16**
 SHEET SCALE: **3/4"=1'-0"**

S-2.3

PROJECT NO. **16-0022**