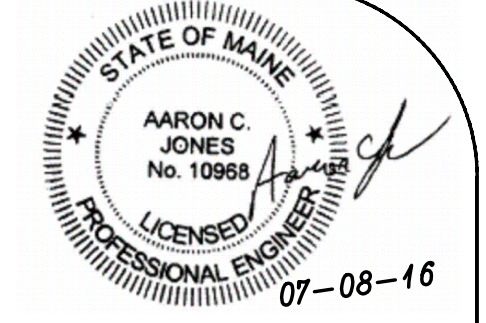
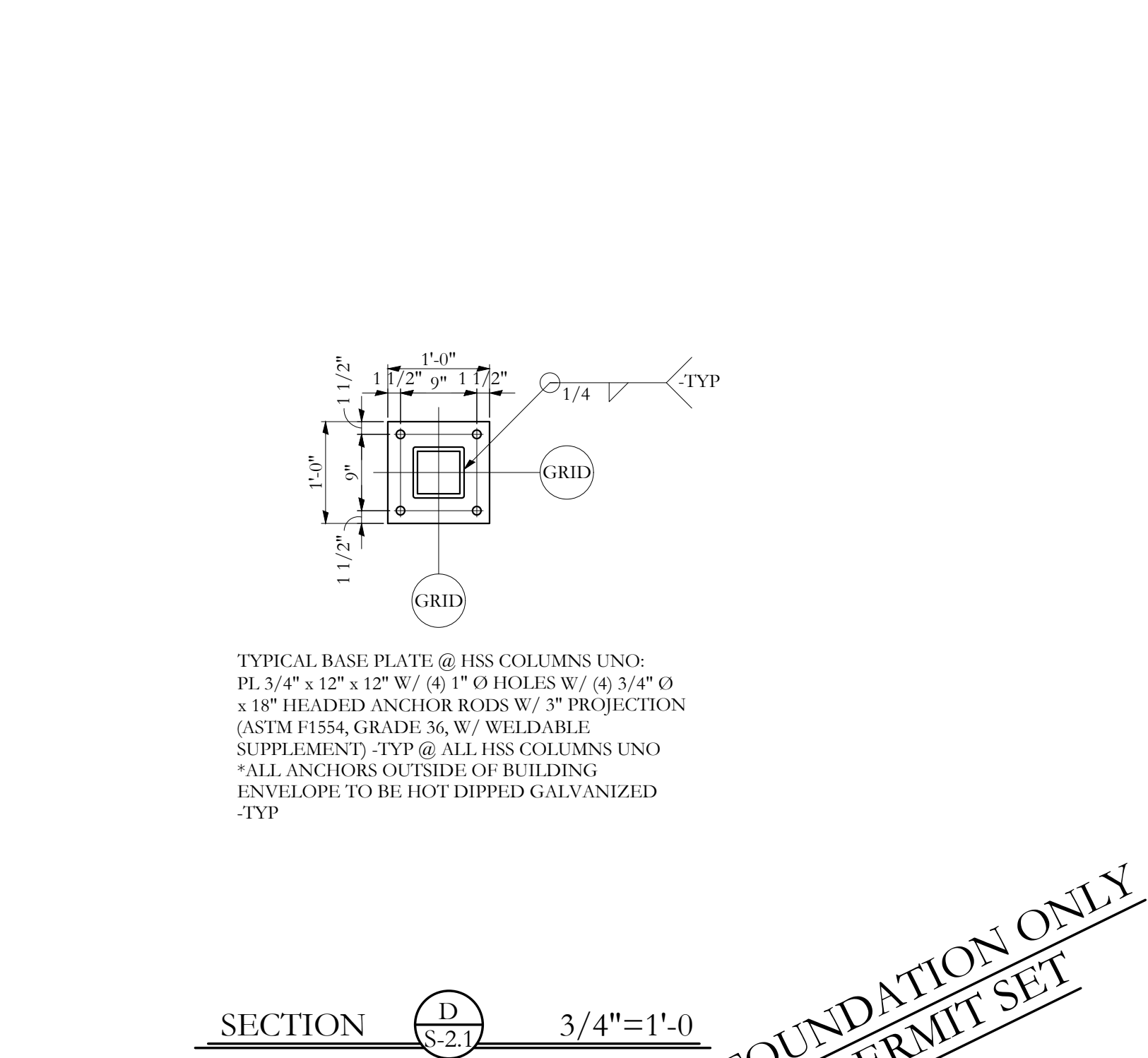
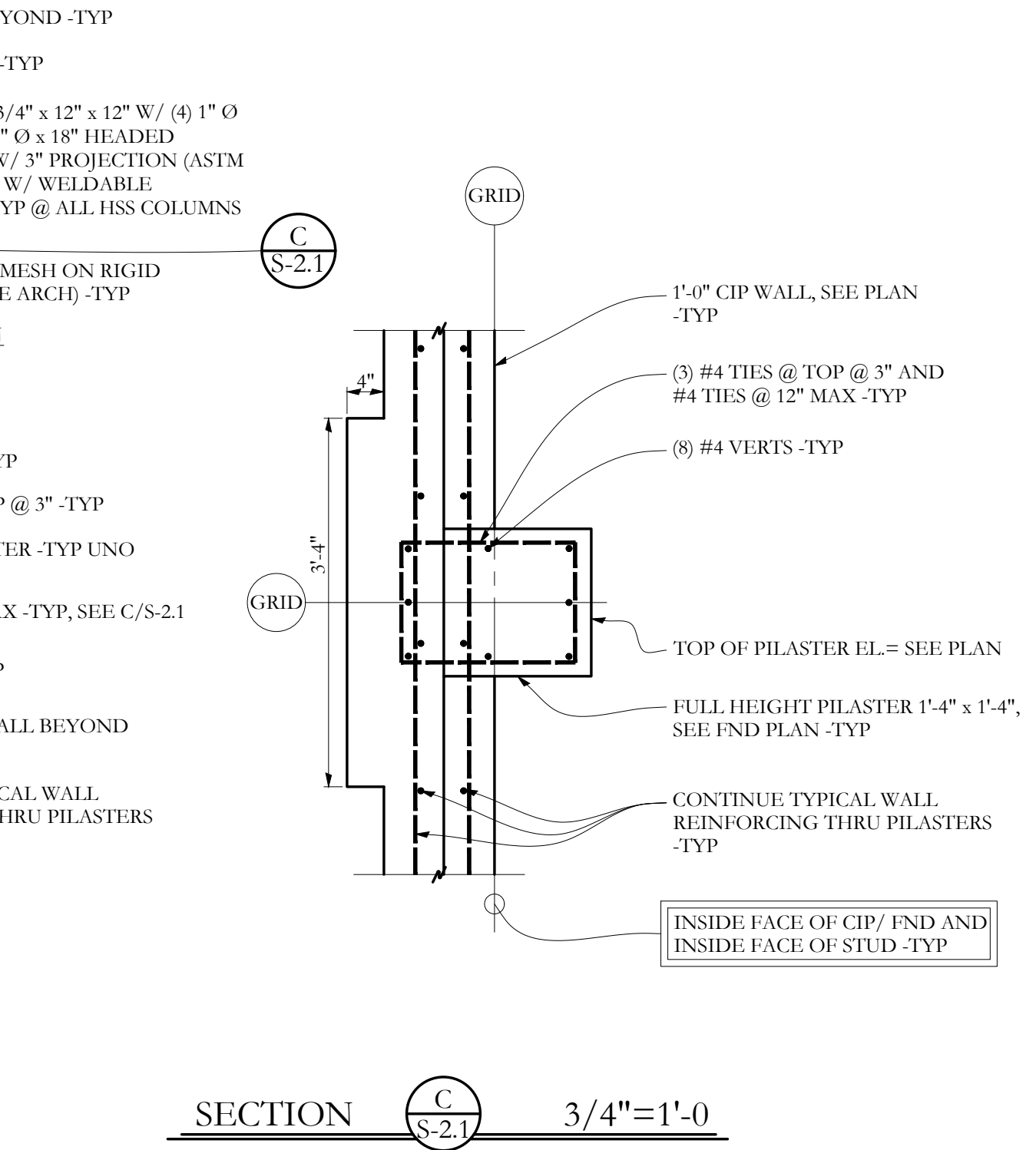
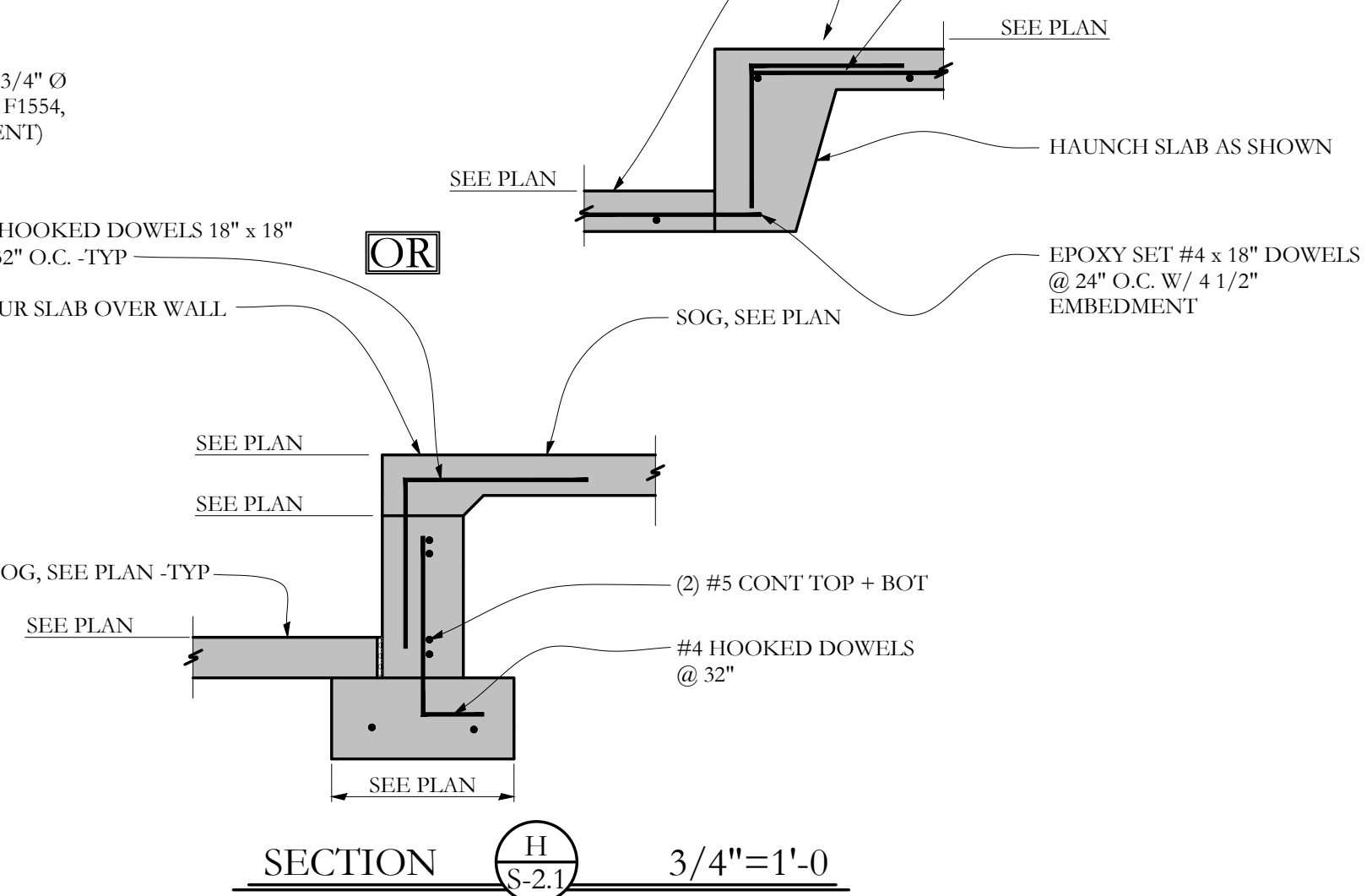
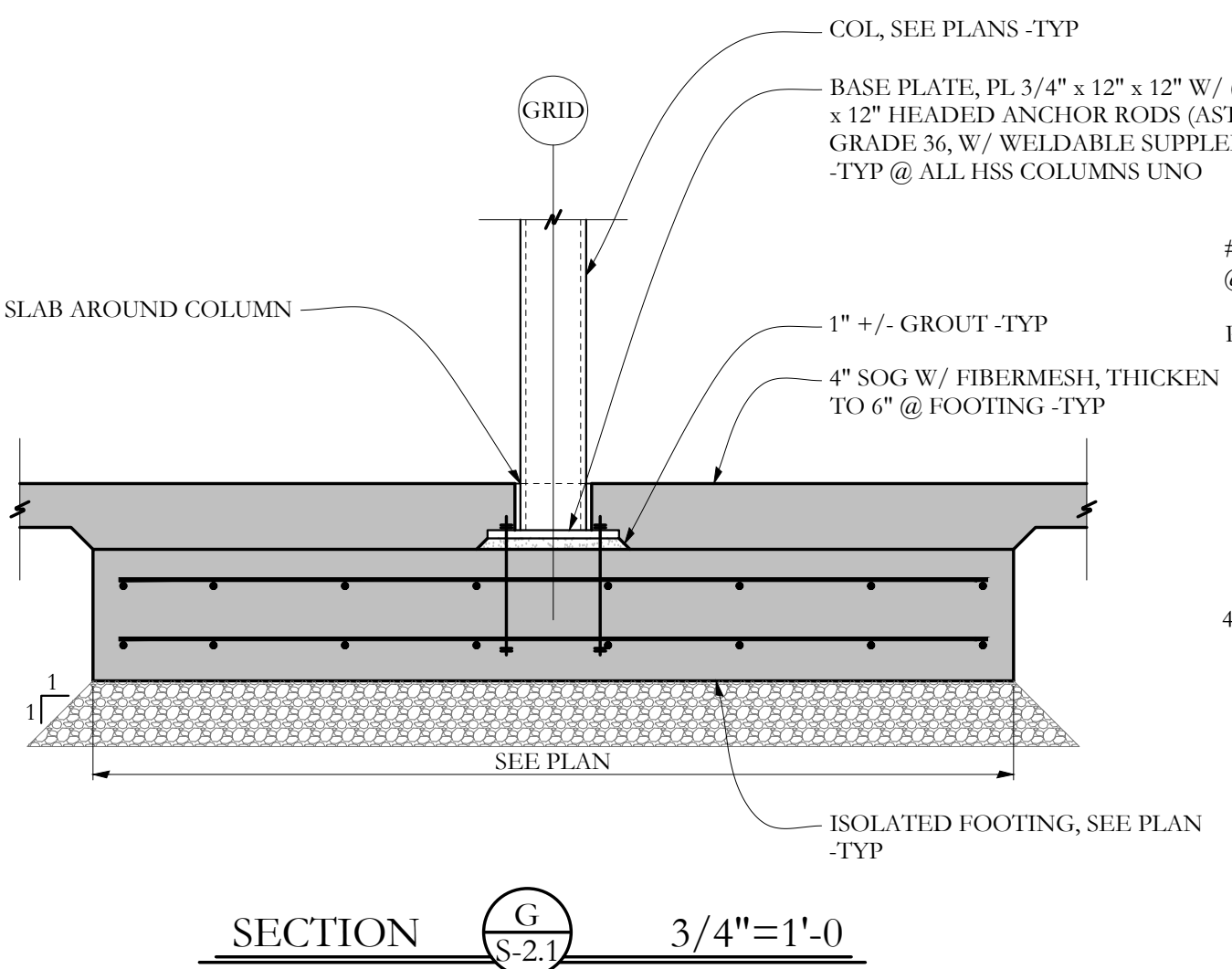
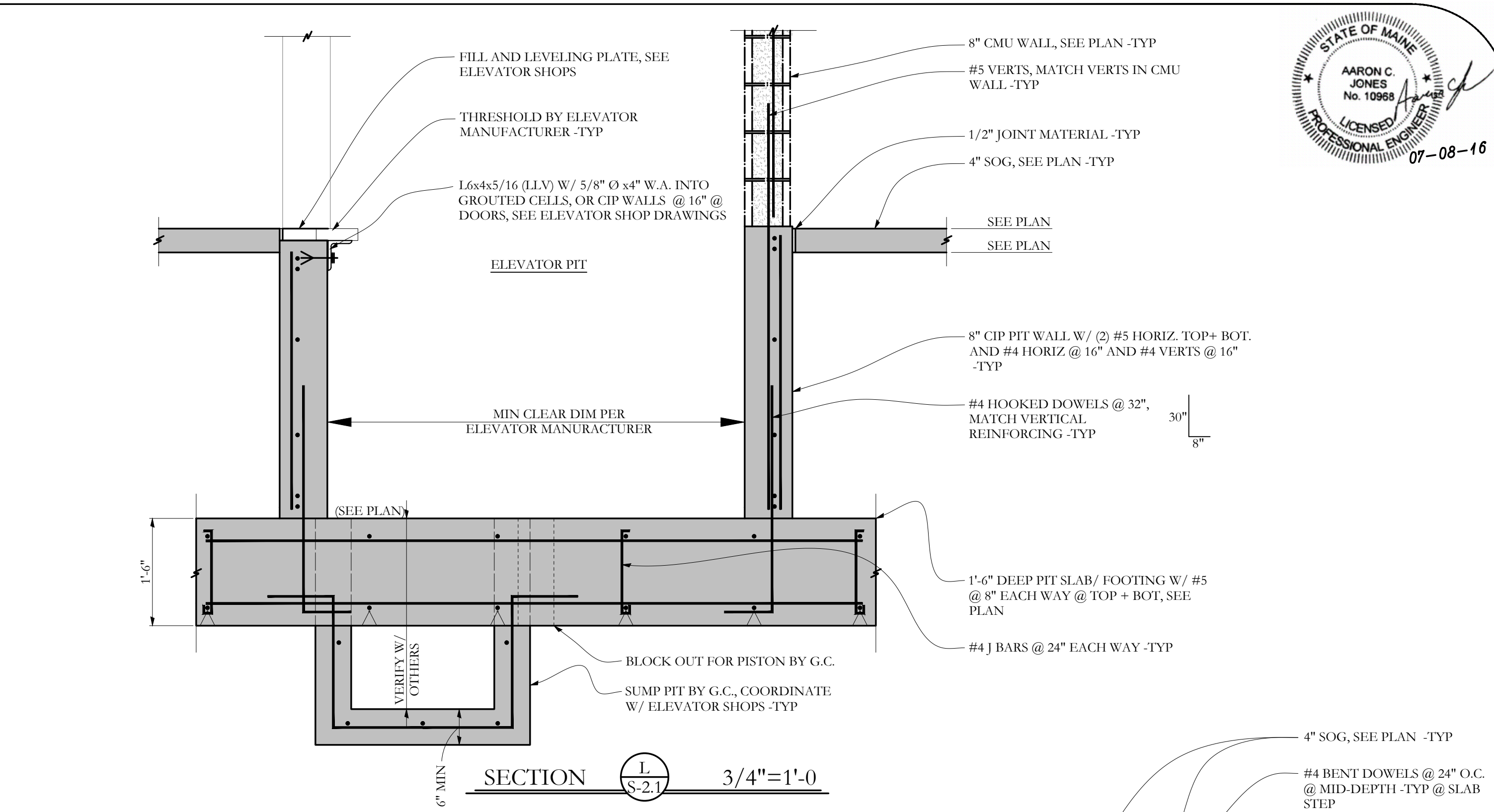
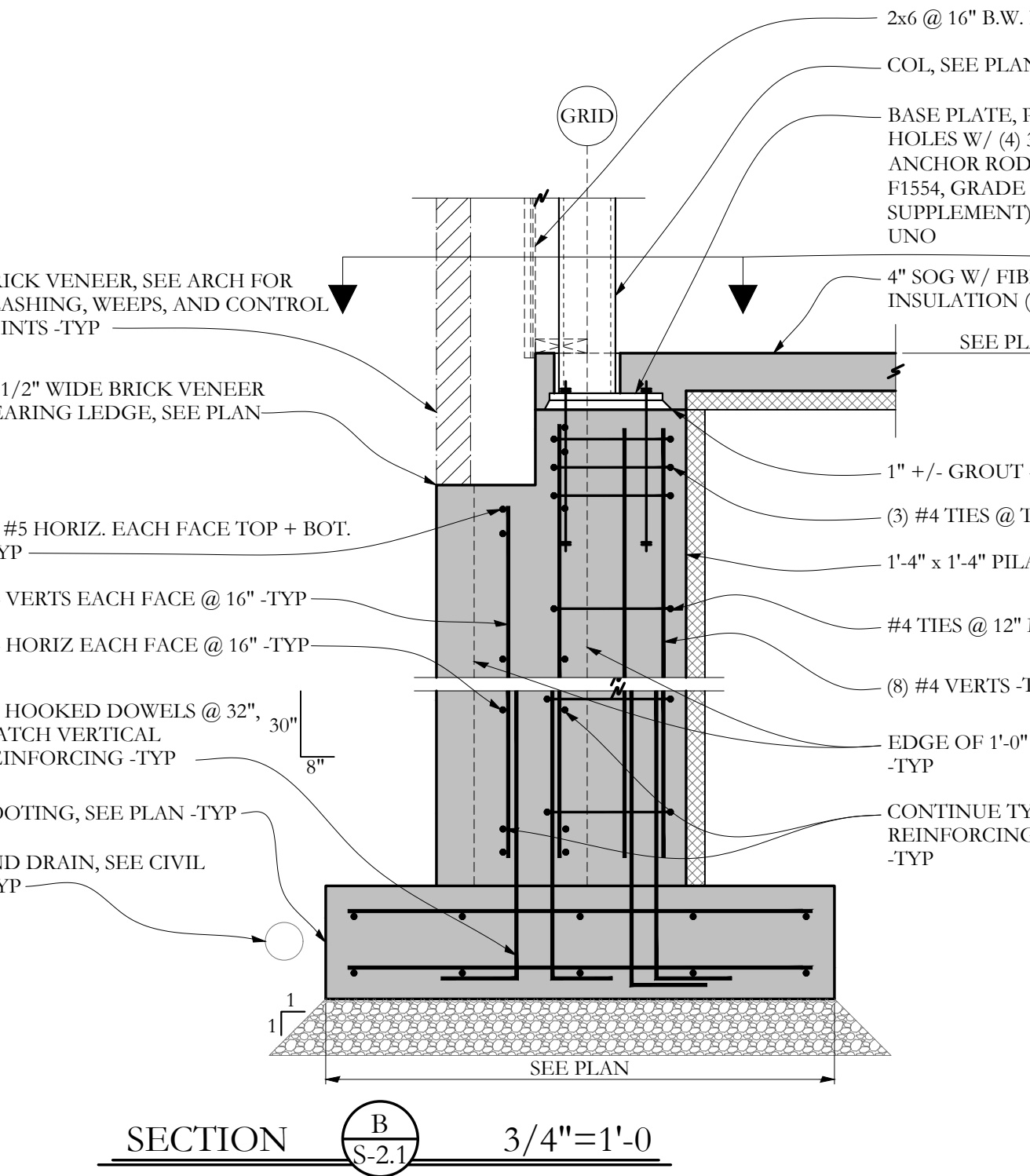
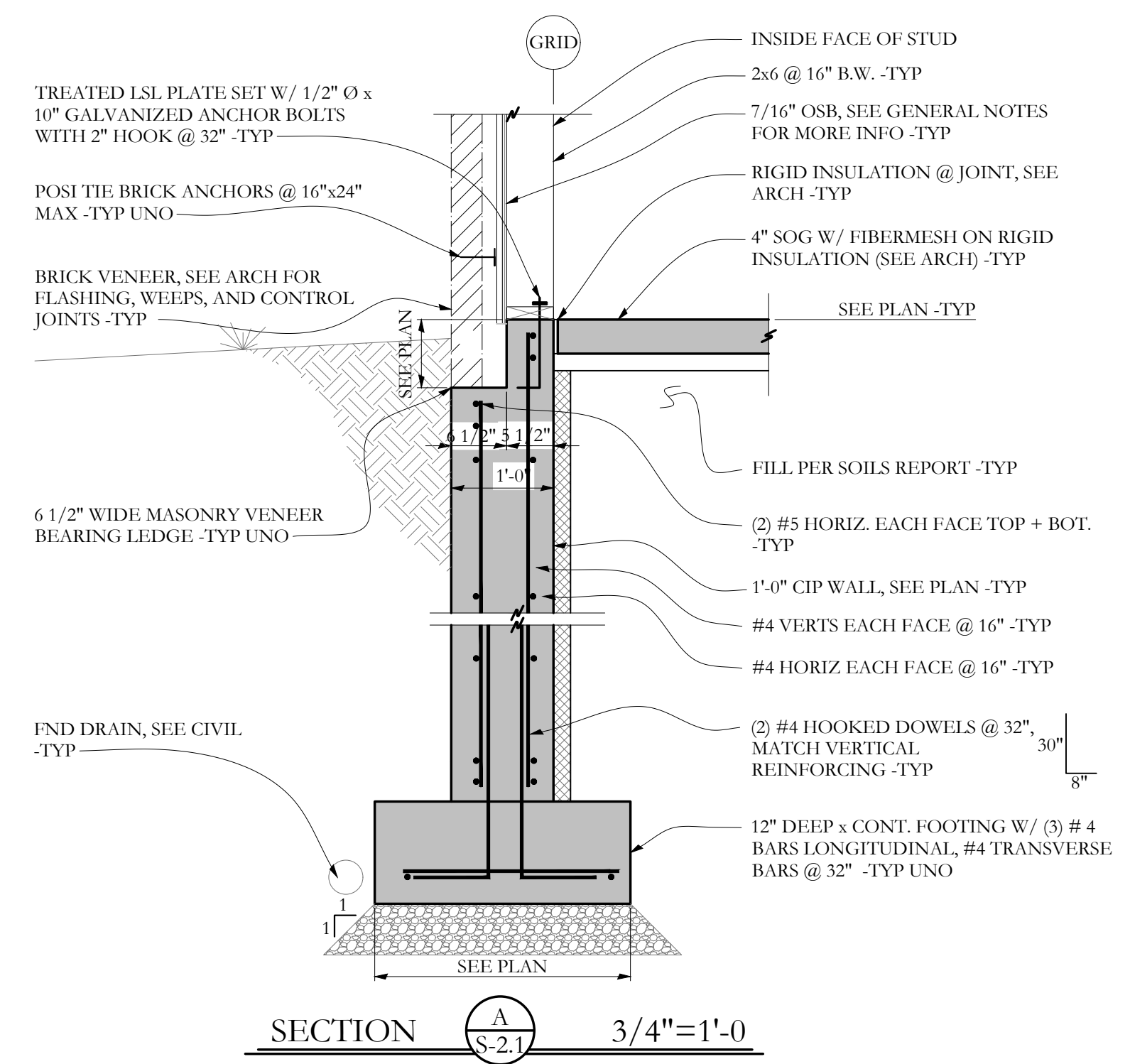
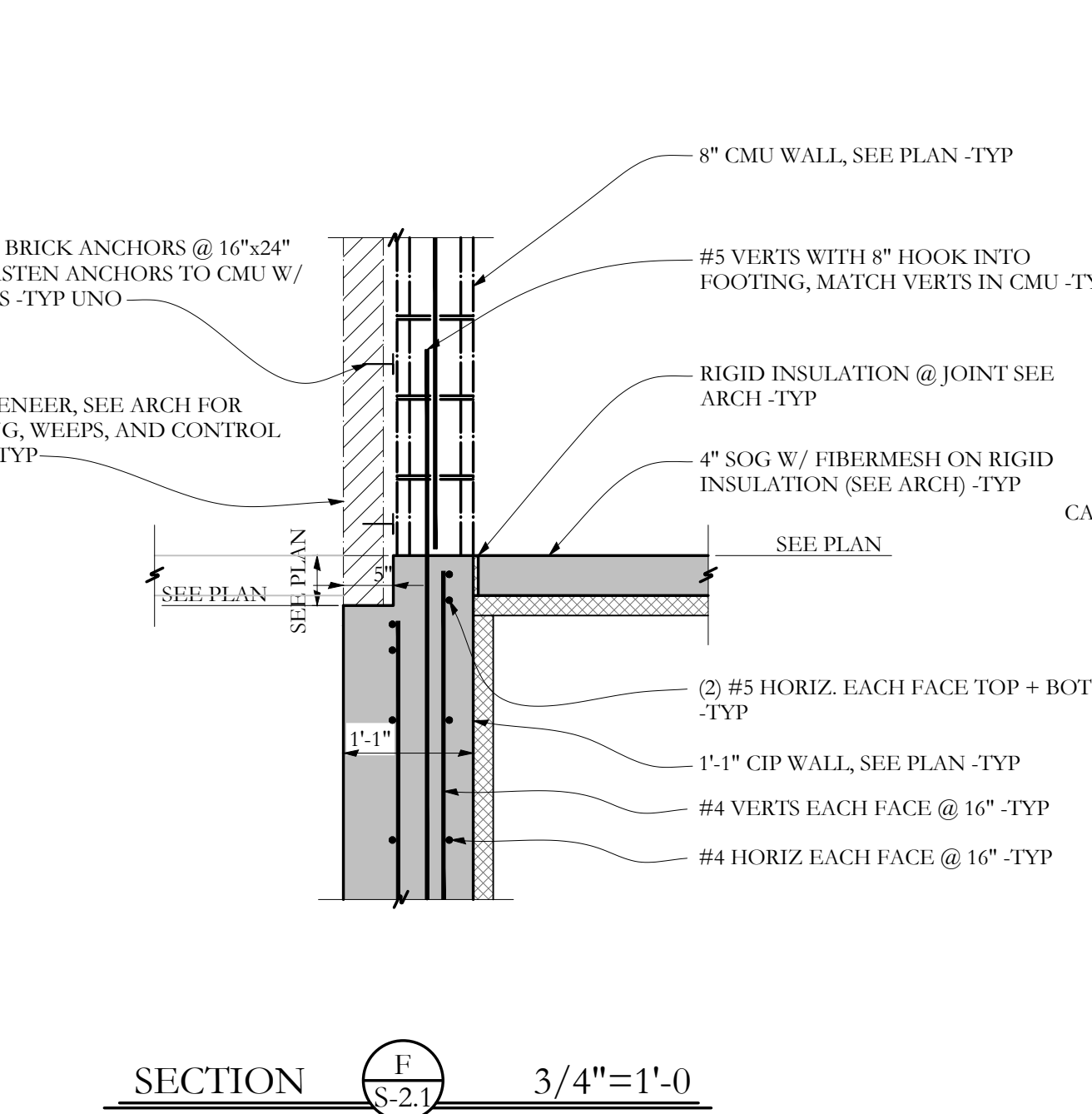
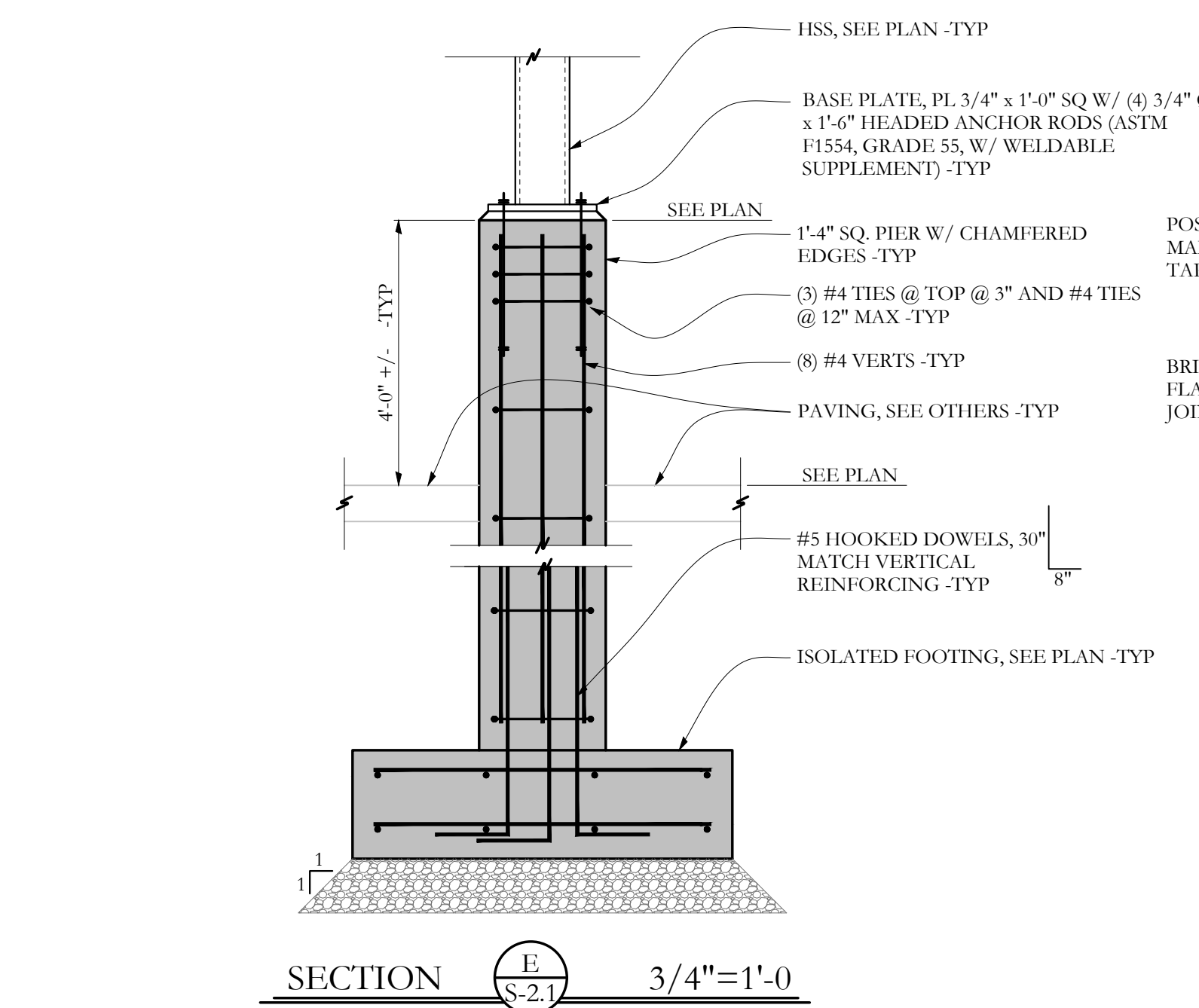
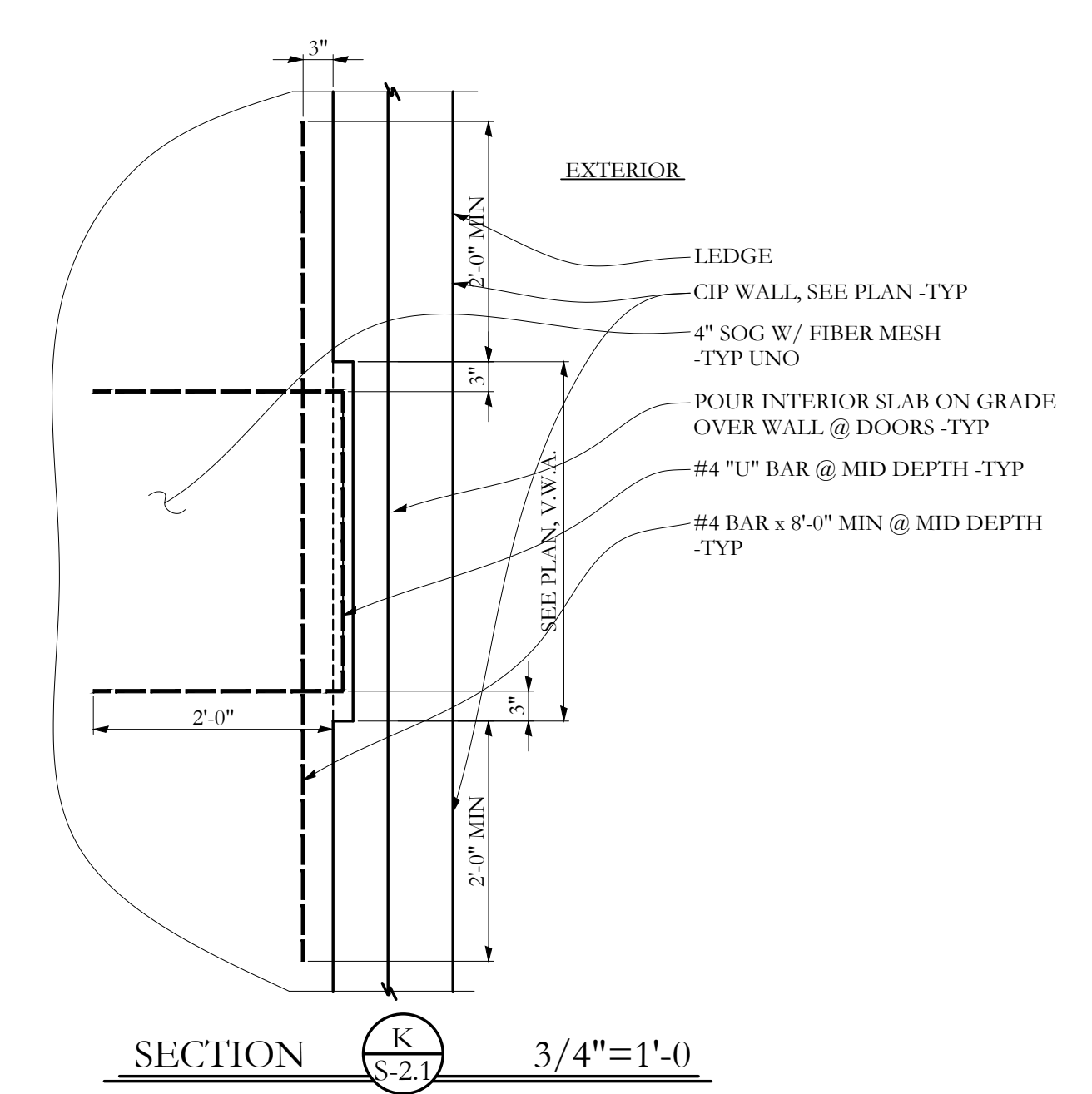
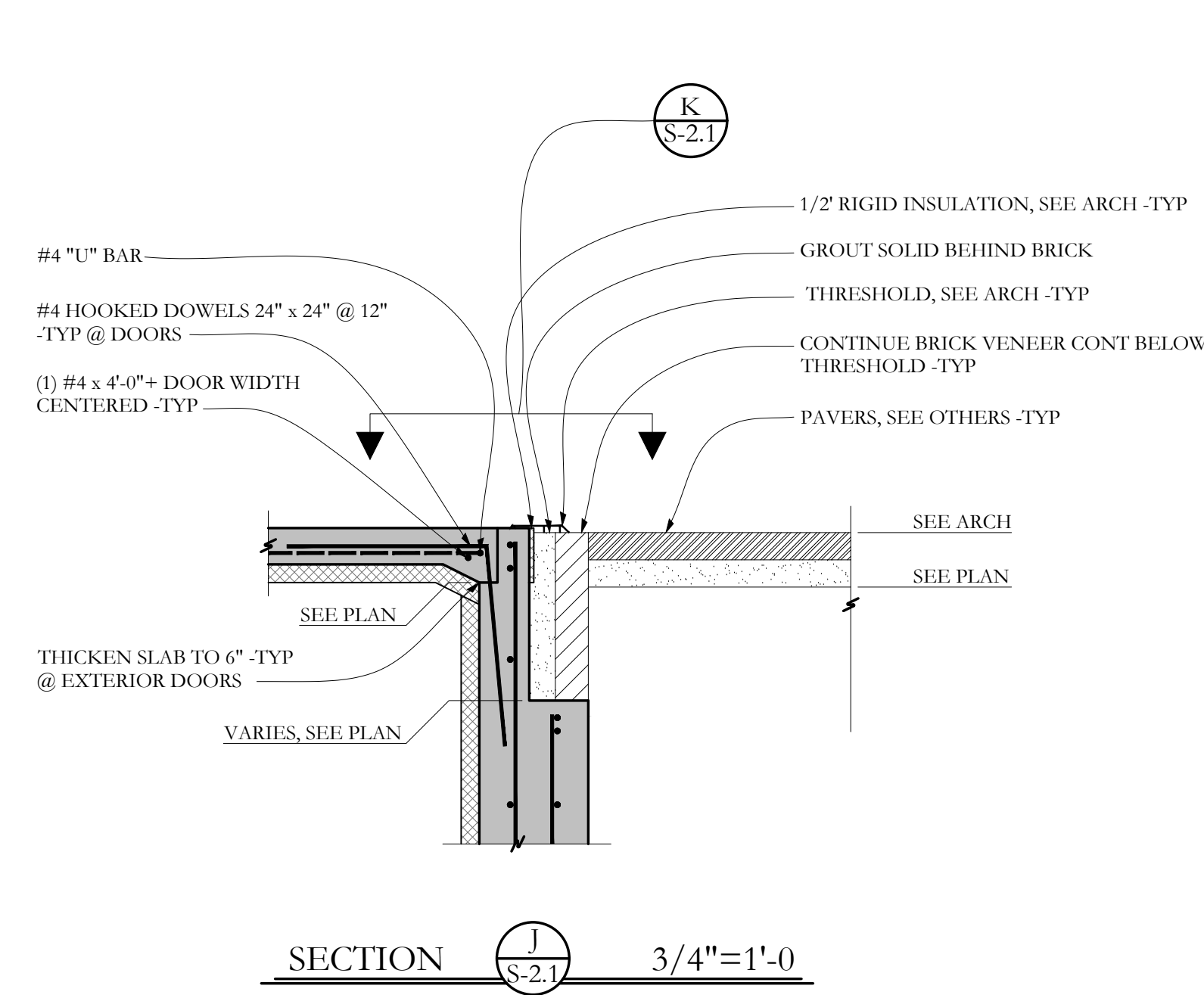


COPYRIGHT: Reuse or reproduction of the contents of this document is not permitted without written permission of Structural Integrity Consulting Engineers, Inc.



OWNER: INDIA/ NEWBURY RESIDENCES, LLC. PROJECT NAME: 62 INDIA ST Portland, Maine. DRAWN BY: JCS. SHEET TITLE: SECTIONS. SHEET SCALE: 3/4"=1'-0". ISSUE DATE: 07.08.16. PROJECT NO.: 16-0022. Structural Integrity Consulting Engineers, Inc. BUILD WITH CONFIDENCE.

FOUNDATION ONLY PERMIT SET