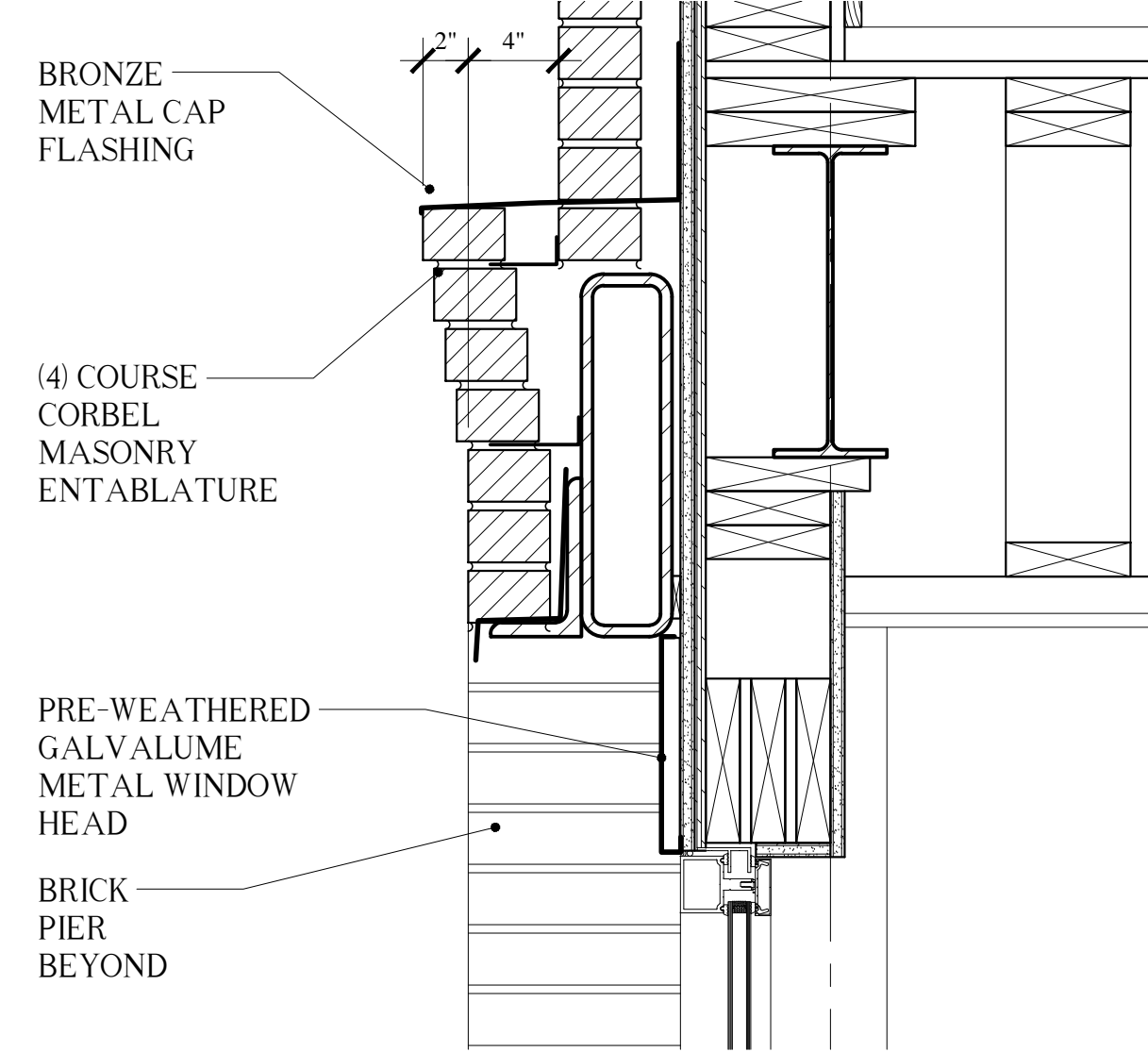
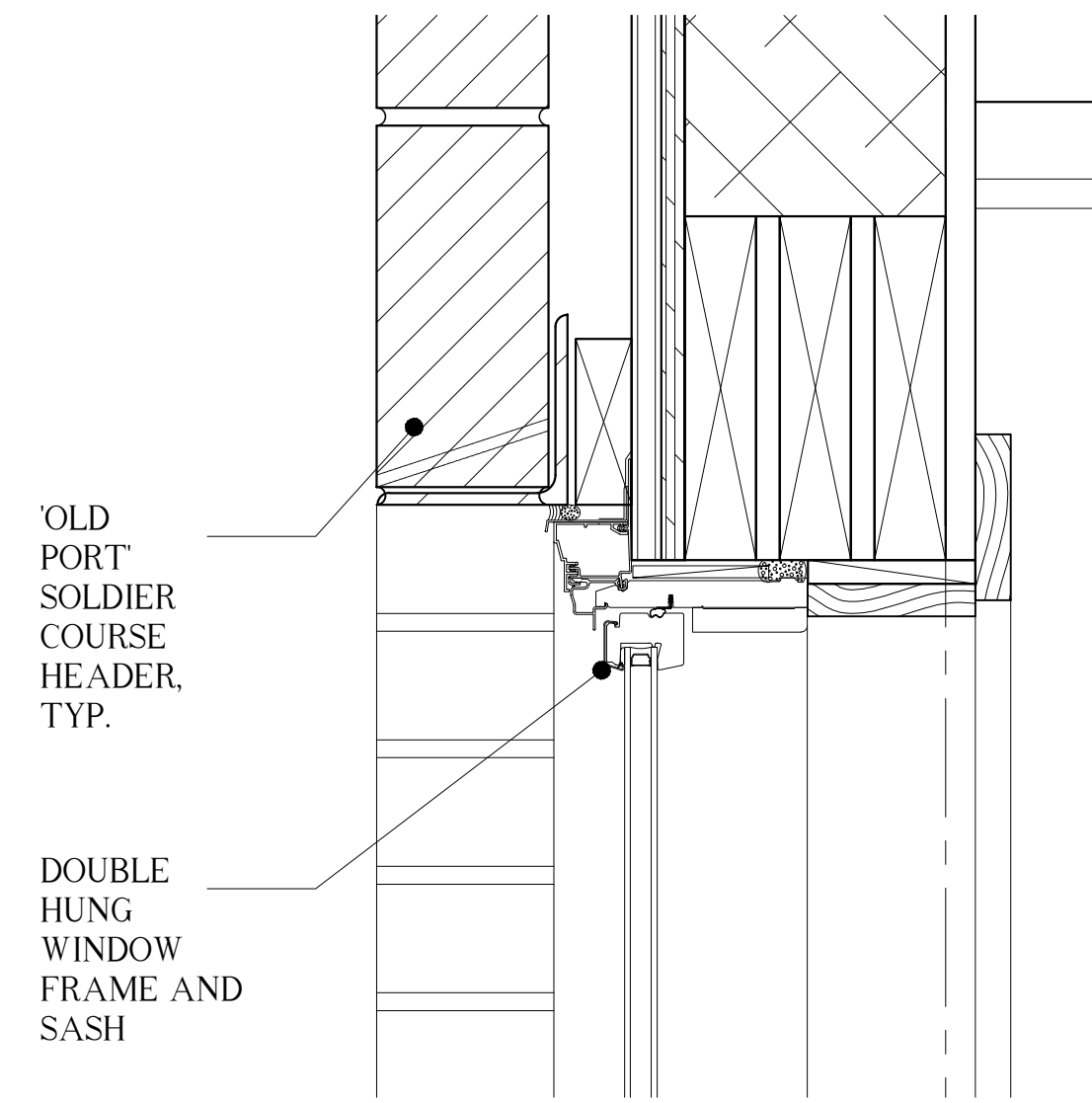


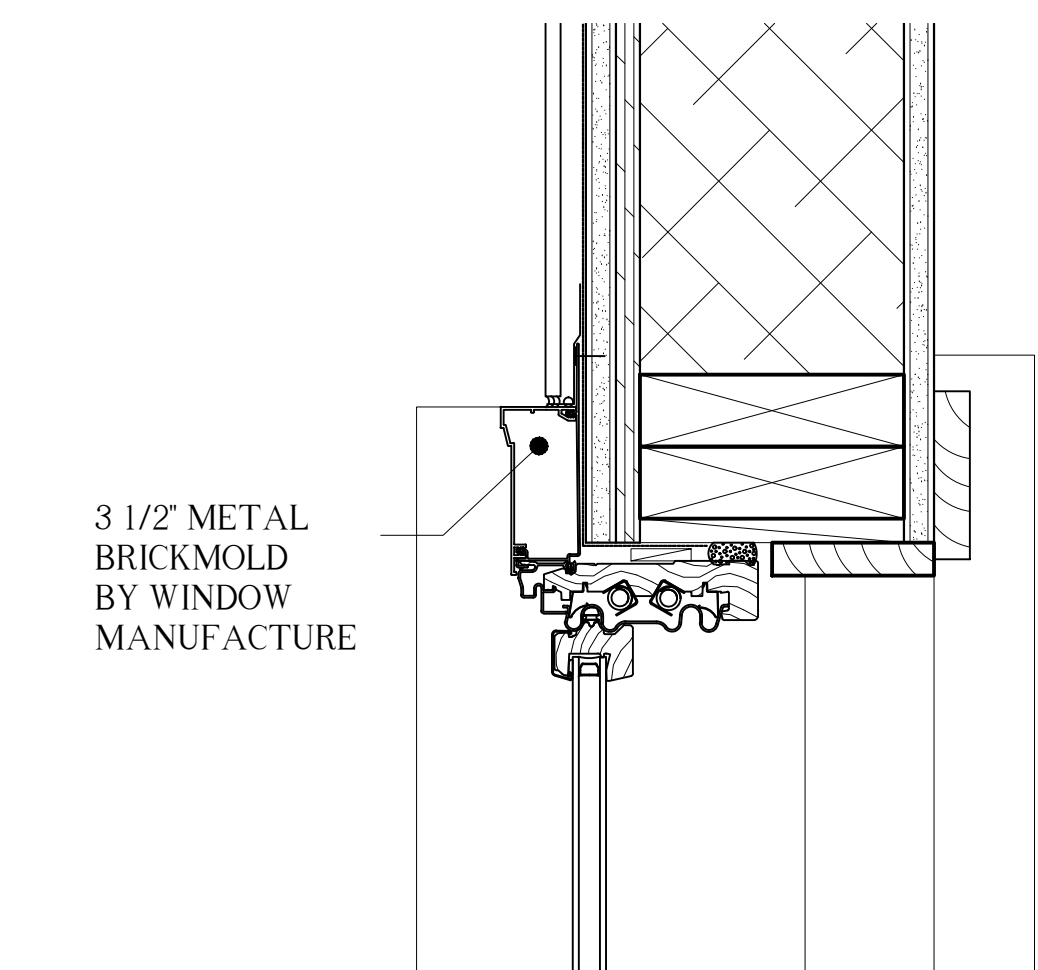
HEAD



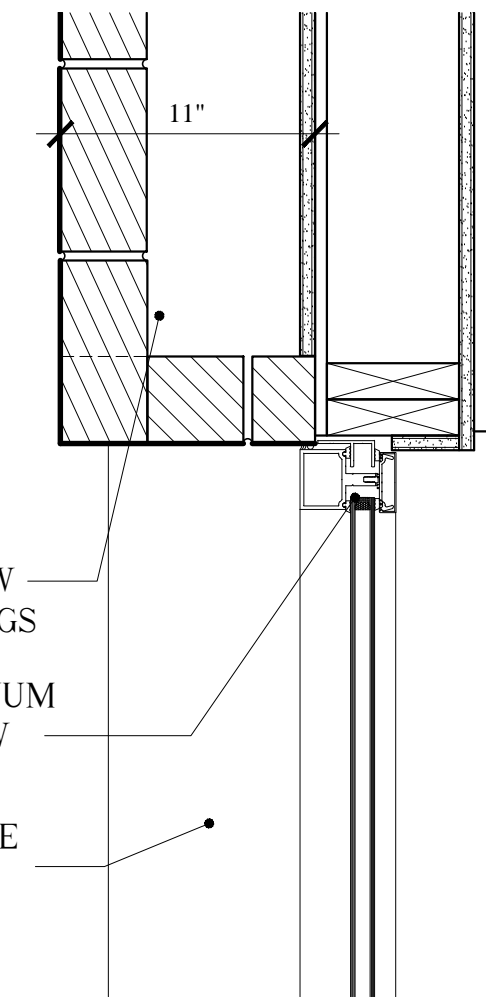
HEAD



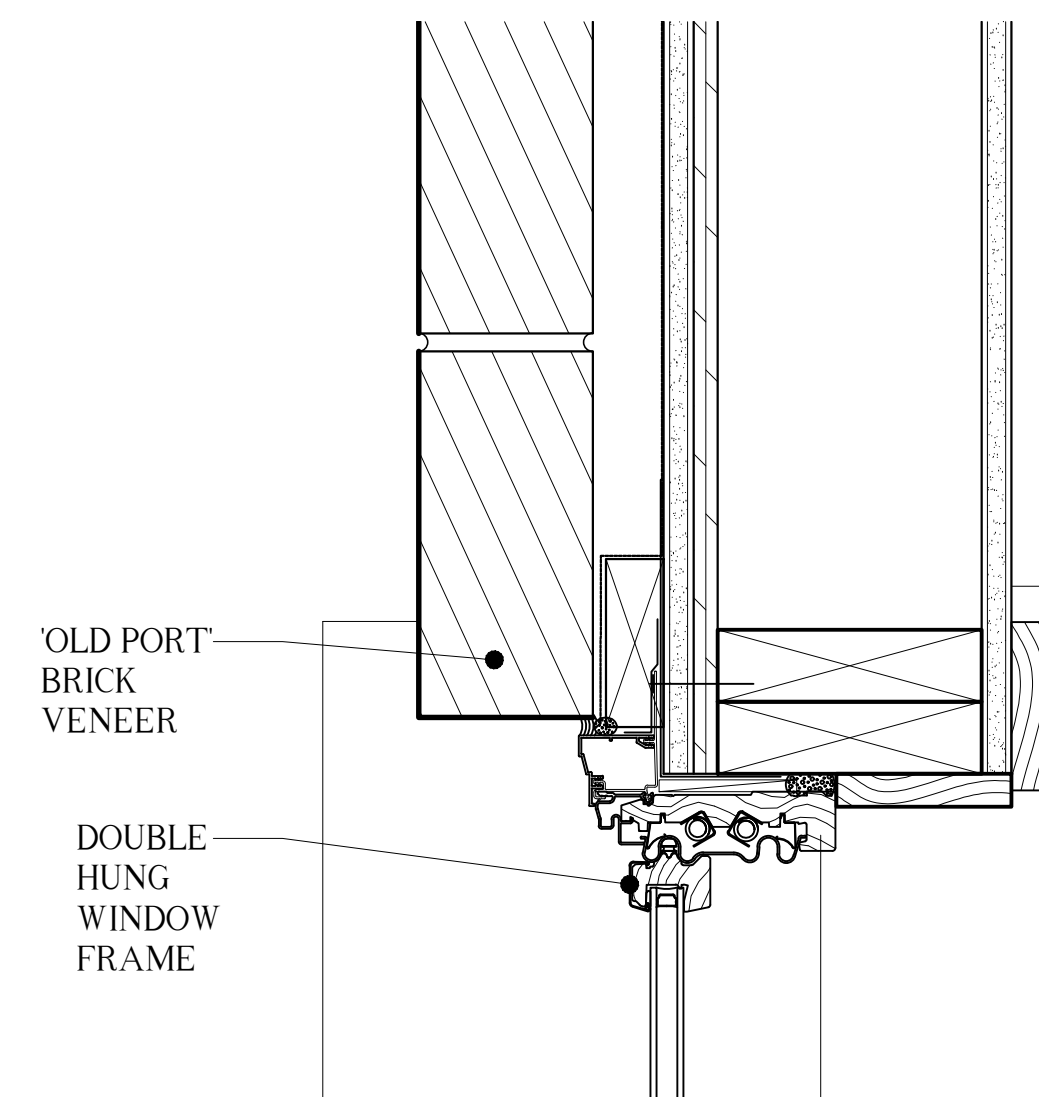
HEAD



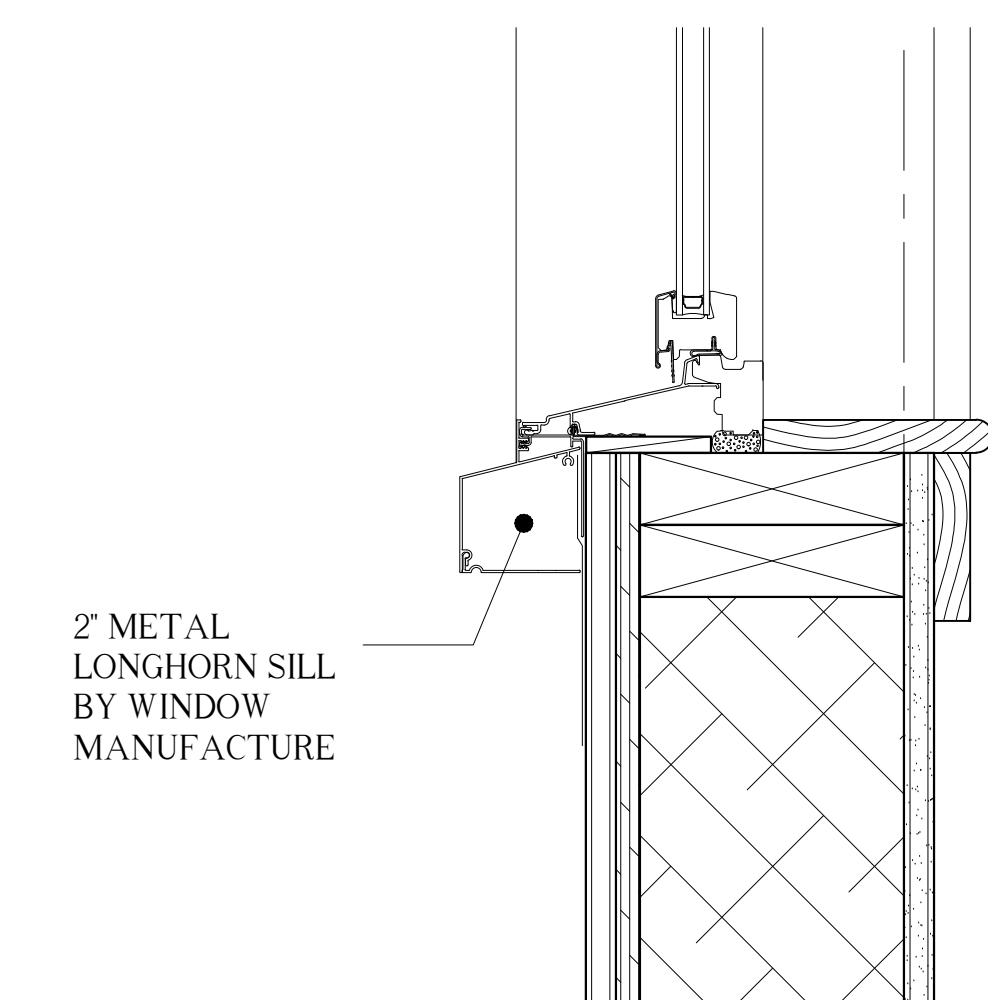
JAMB



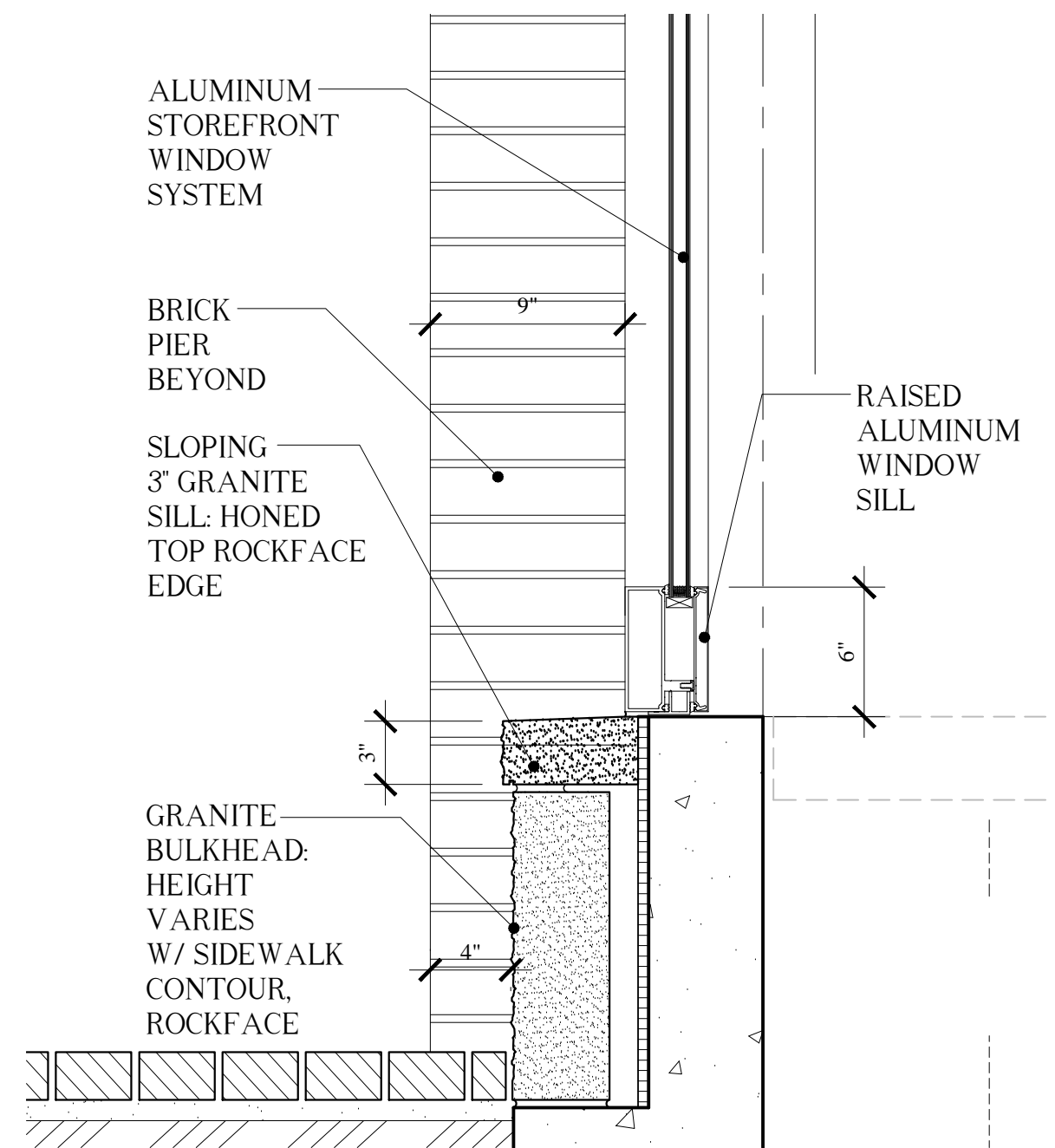
BRICK PIER/ JAMB



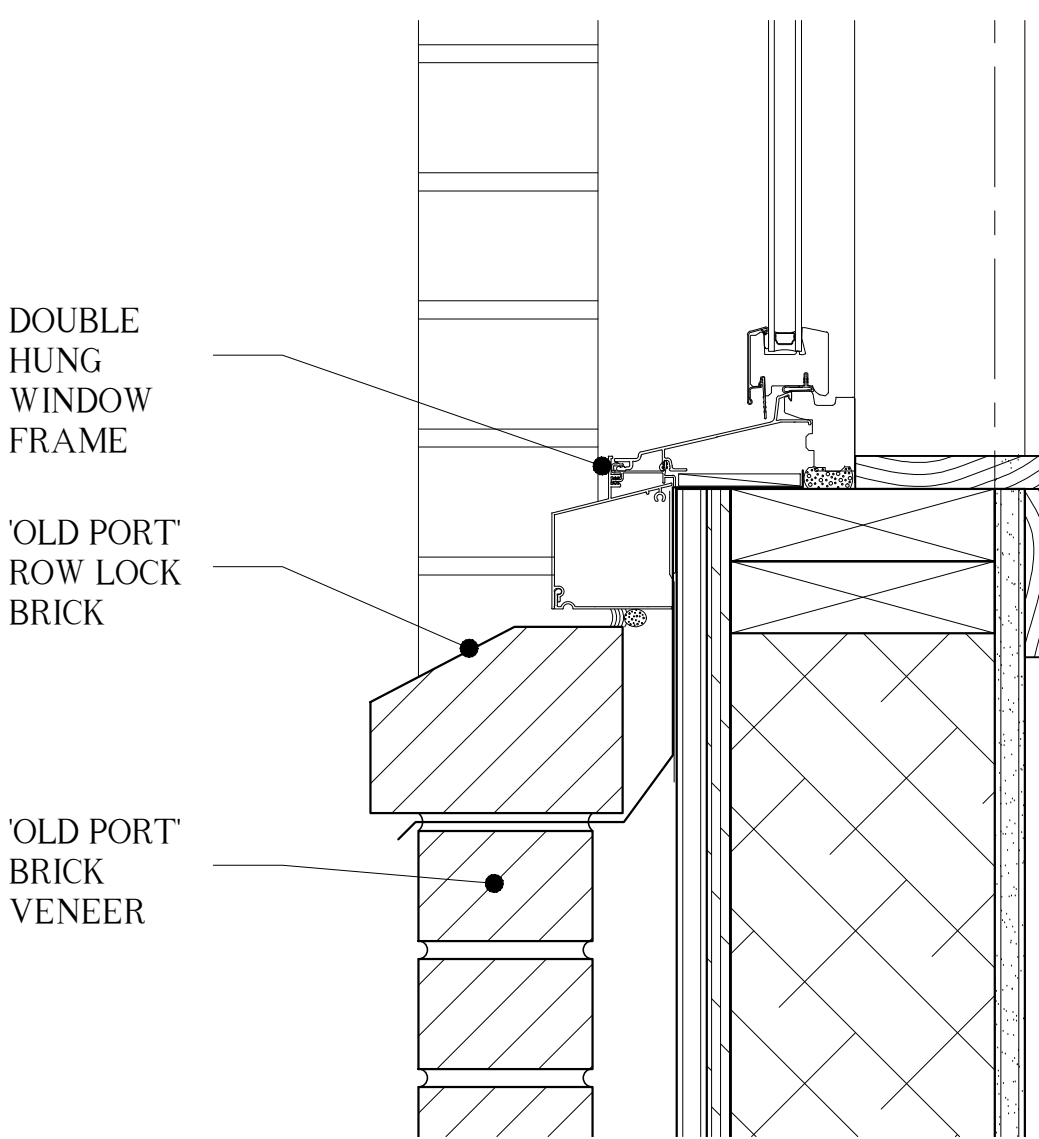
JAMB



SILL



SILL



SILL

MATERIALS SCHEDULE:	
A1	CAST IN PLACE CONCRETE WALL
A2	CONCRETE SLAB ON GRADE
A3	1 1/2\"/>

3 WOOD WALL WINDOW DETAILS A-3.5 SCALE: 3" = 1'-0"
 2 ALUM. STOREFRONT WINDOW DETAILS A-3.5 SCALE: 1 1/2" = 1'-0"
 1 BRICK VENEER WINDOW DETAILS A-3.5 SCALE: 3" = 1'-0"

MARK MUELLER ARCHITECTS
 A.I.A.
 100 Commercial Street
 Suite 205
 Portland, Maine 04101
 Phone: 207.774.9057
 Email: rfi@muellerarchitects.com

© COPYRIGHT 2016
 MARK MUELLER ARCHITECTS

62
 I
 N
 D
 I
 A

INDIA STREET
 NEIGHBORHOOD
 PORTLAND, MAINE

WALL SECTIONS
 REVISIONS
 DATE
 PROJECT
 INDIA STREET
 DRAWN BY
 CHECK BY
 MAM

FOUNDATION PERMIT
 JULY 8, 2016
 A-5.1