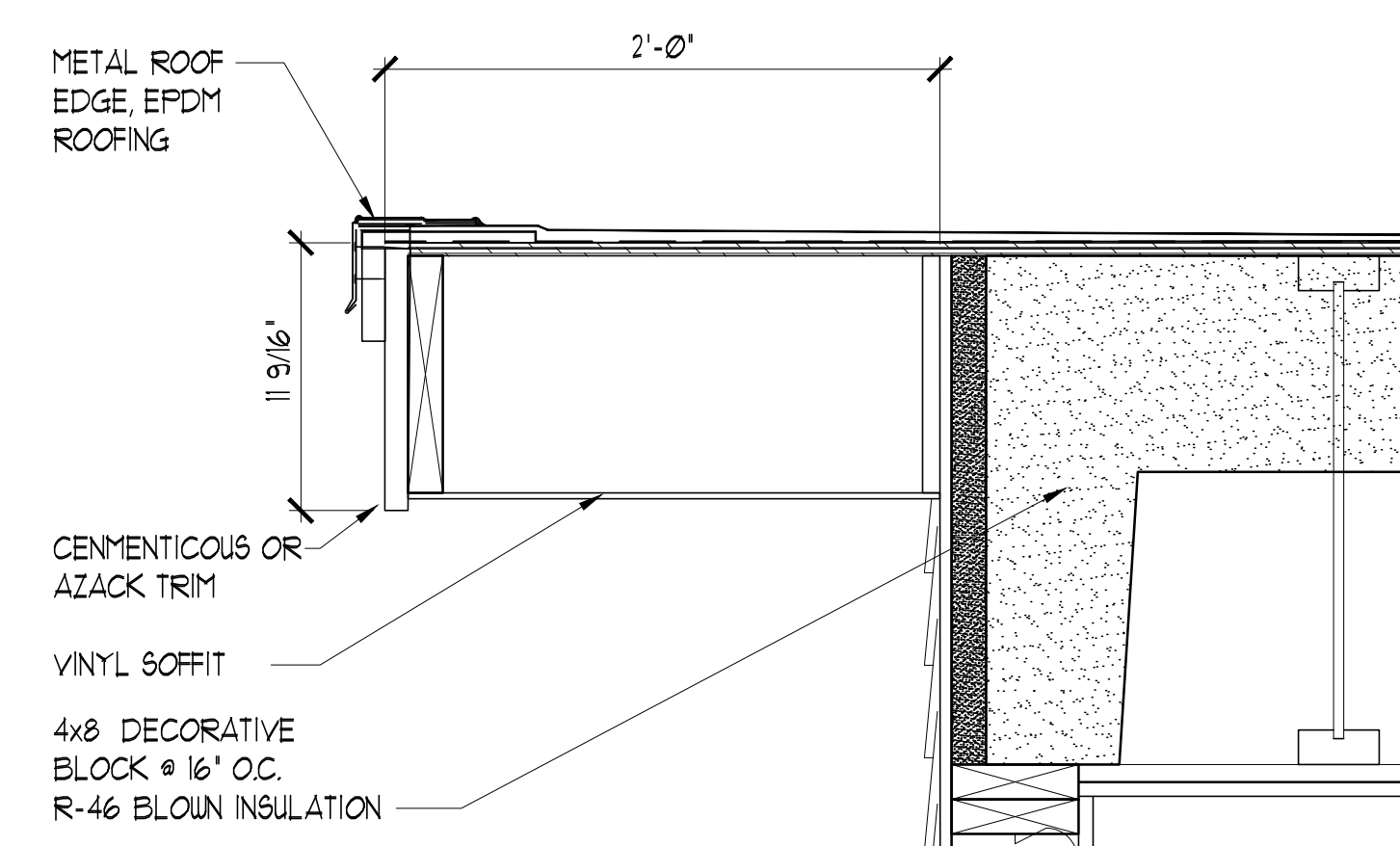
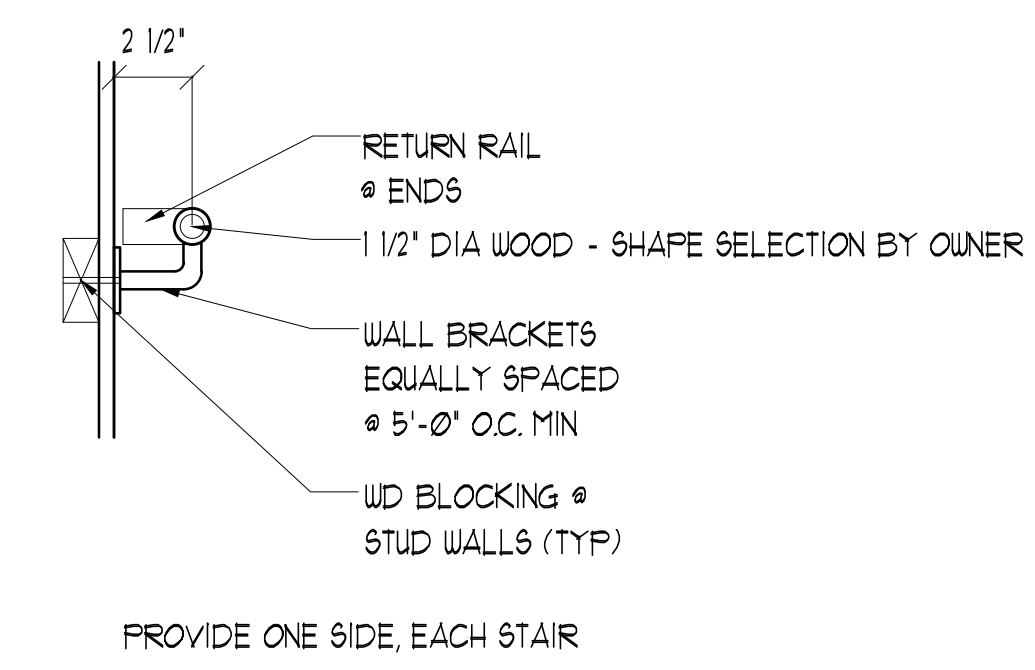


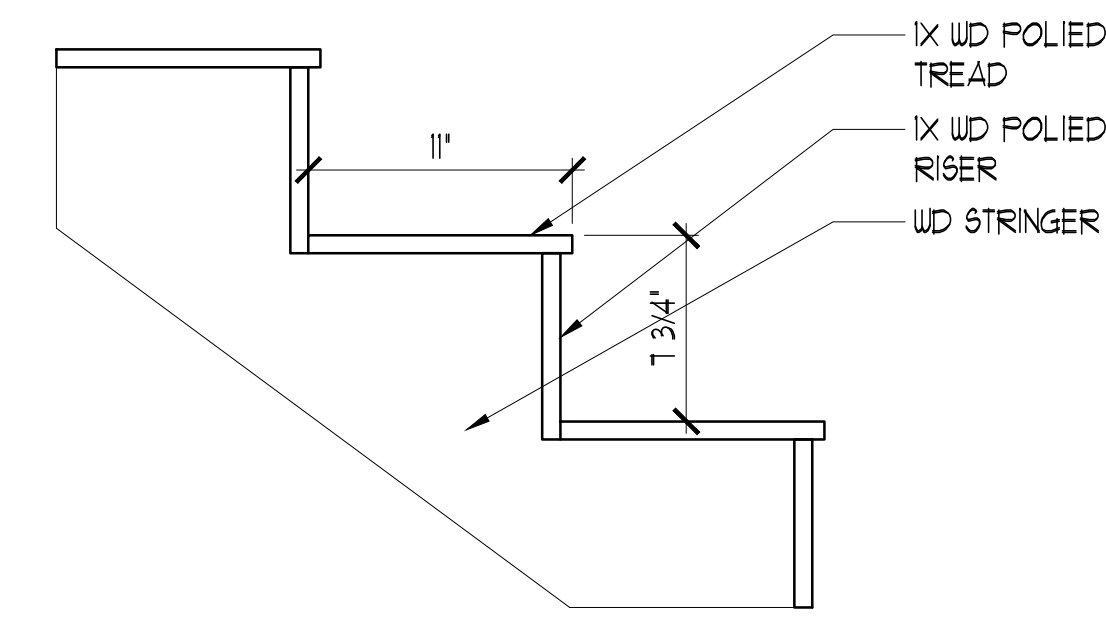
IF THIS SHEET IS NOT 24 X 36 IT IS A REDUCED SCALE PRINT - SCALE ACCORDINGLY



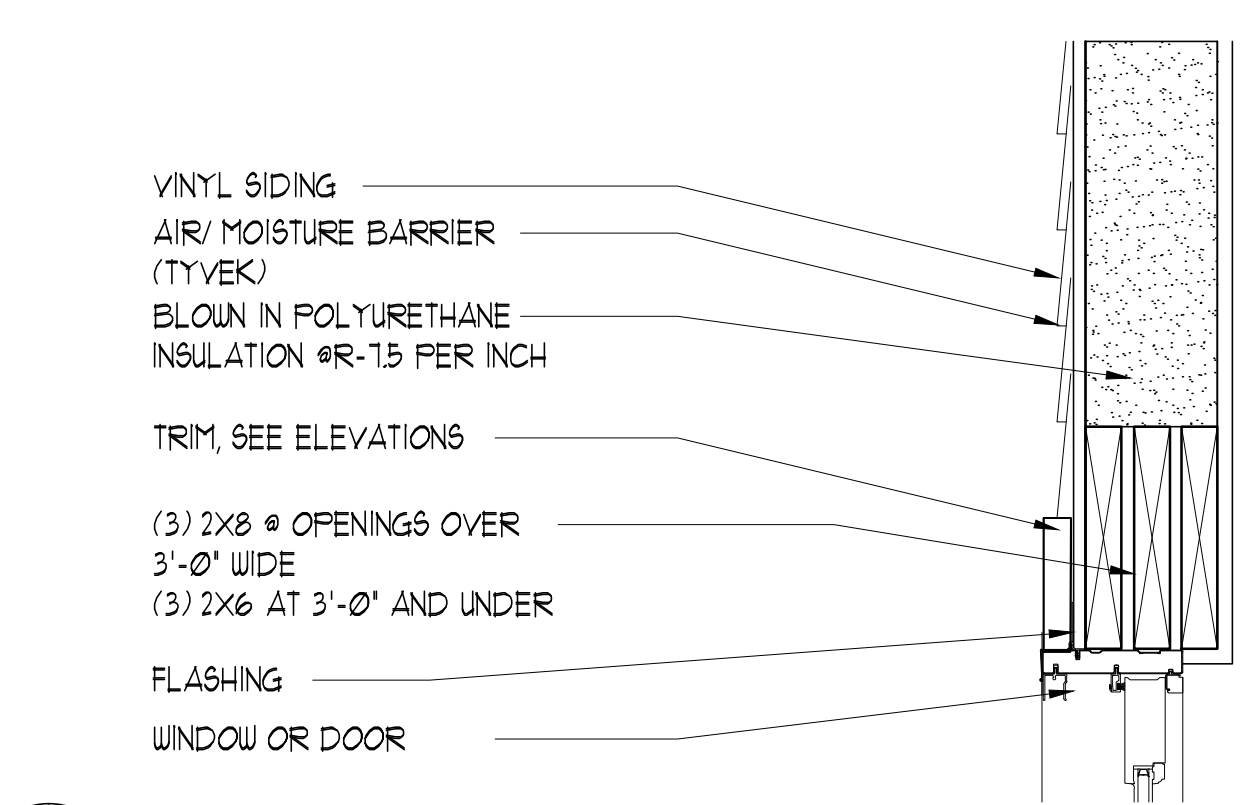
4 FLAT ROOF EDGE DETAIL
SCALE: 1 1/2" = 1'-0"



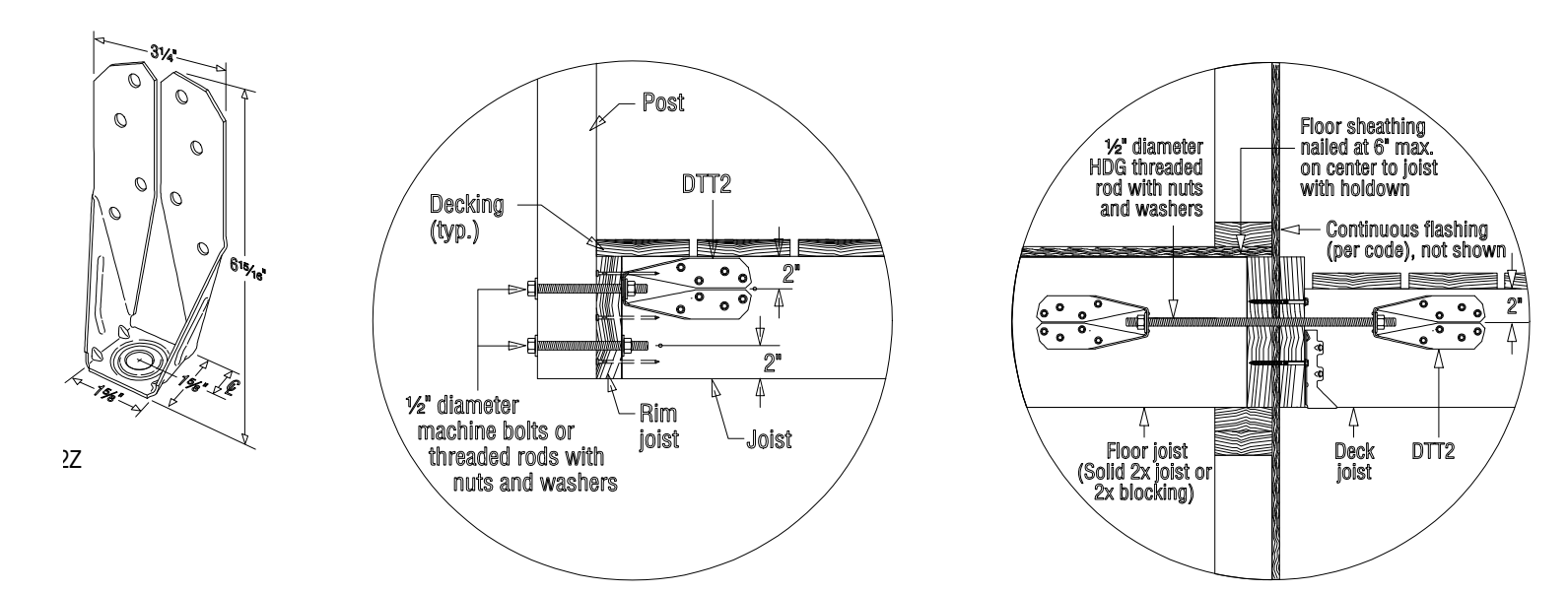
3 HANDRAIL DETAIL
SCALE: 1 1/2" = 1'-0"



2 TYPICAL INTERIOR / EXTERIOR STAIR
SCALE: 1 1/2" = 1'-0"



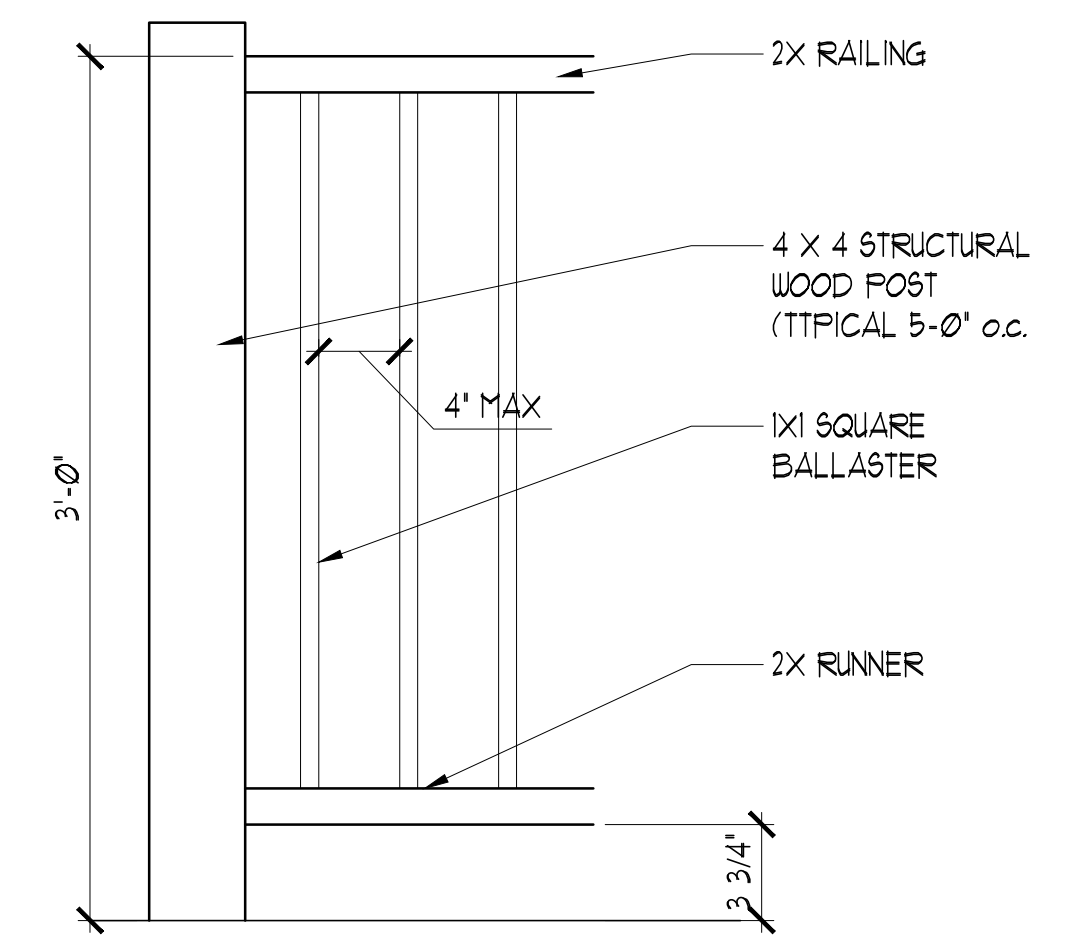
1 TYPICAL WALL & HEADER DETAIL
SCALE: 1 1/2" = 1'-0"



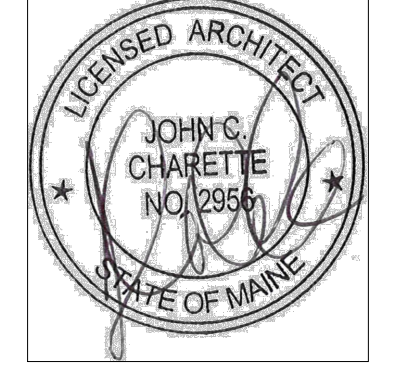
Model No.	CL	Anchor Dia.	Fasteners
DTT2Z	13/16	1/2"	8-SDS 1/2"x1 1/2"

D20 DTT2Z Deck Tension Tie

6 DECK TENSION TIE DETAIL
SCALE: 1 1/2" = 1'-0"



5 GUARDRAIL DETAIL
SCALE: 1 1/2" = 1'-0"



#	DATE	DESCRIPTION
1	02/04/14	EXISTING CONDITIONS

REVISIONS	
Date Issued	11.11.13
Project Number	13203
Drawing Scale	AS NOTED
SHEET NAME	

BUILDING SECTIONS	
Drawn By	KJS
Checked By	JCC
A16	