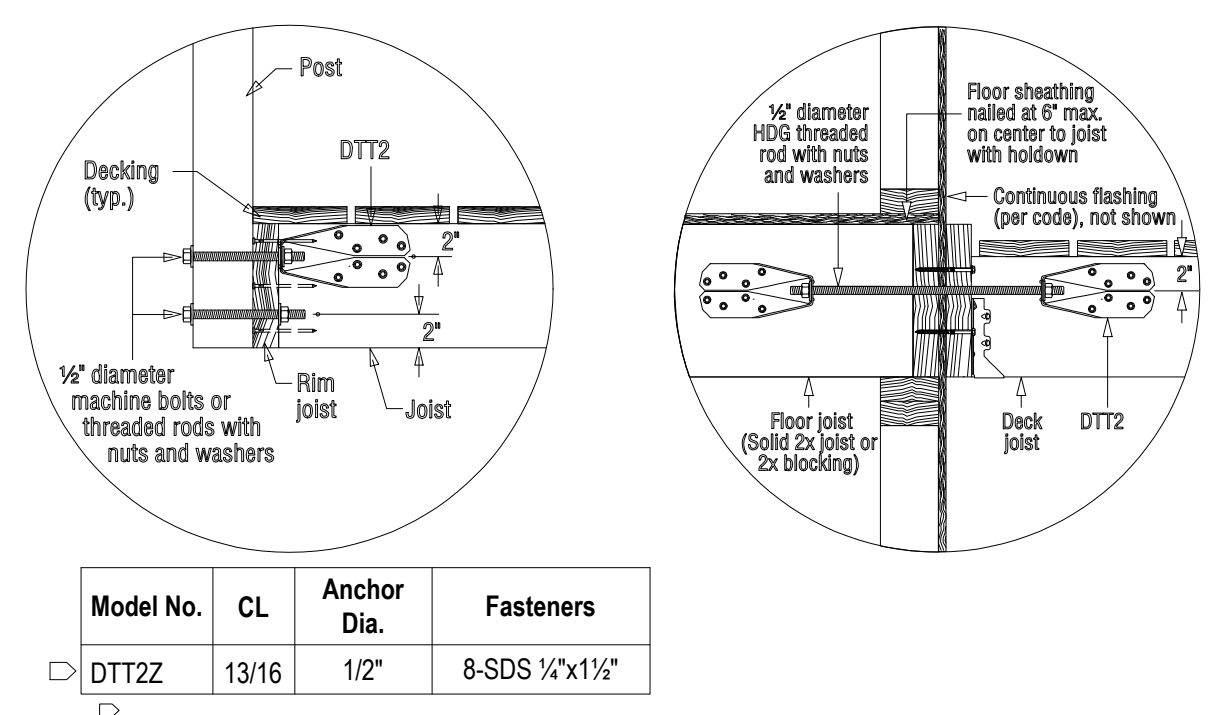
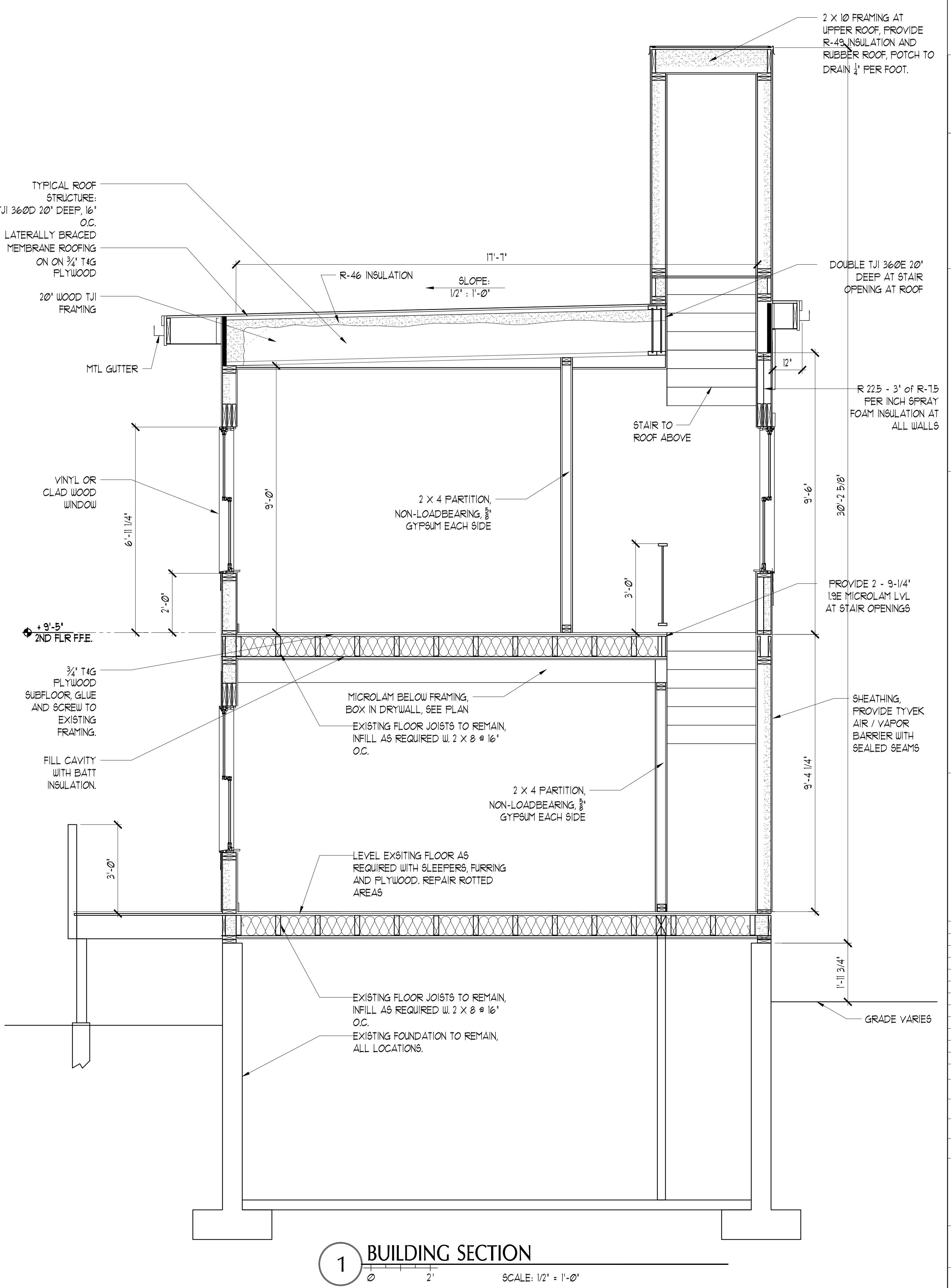
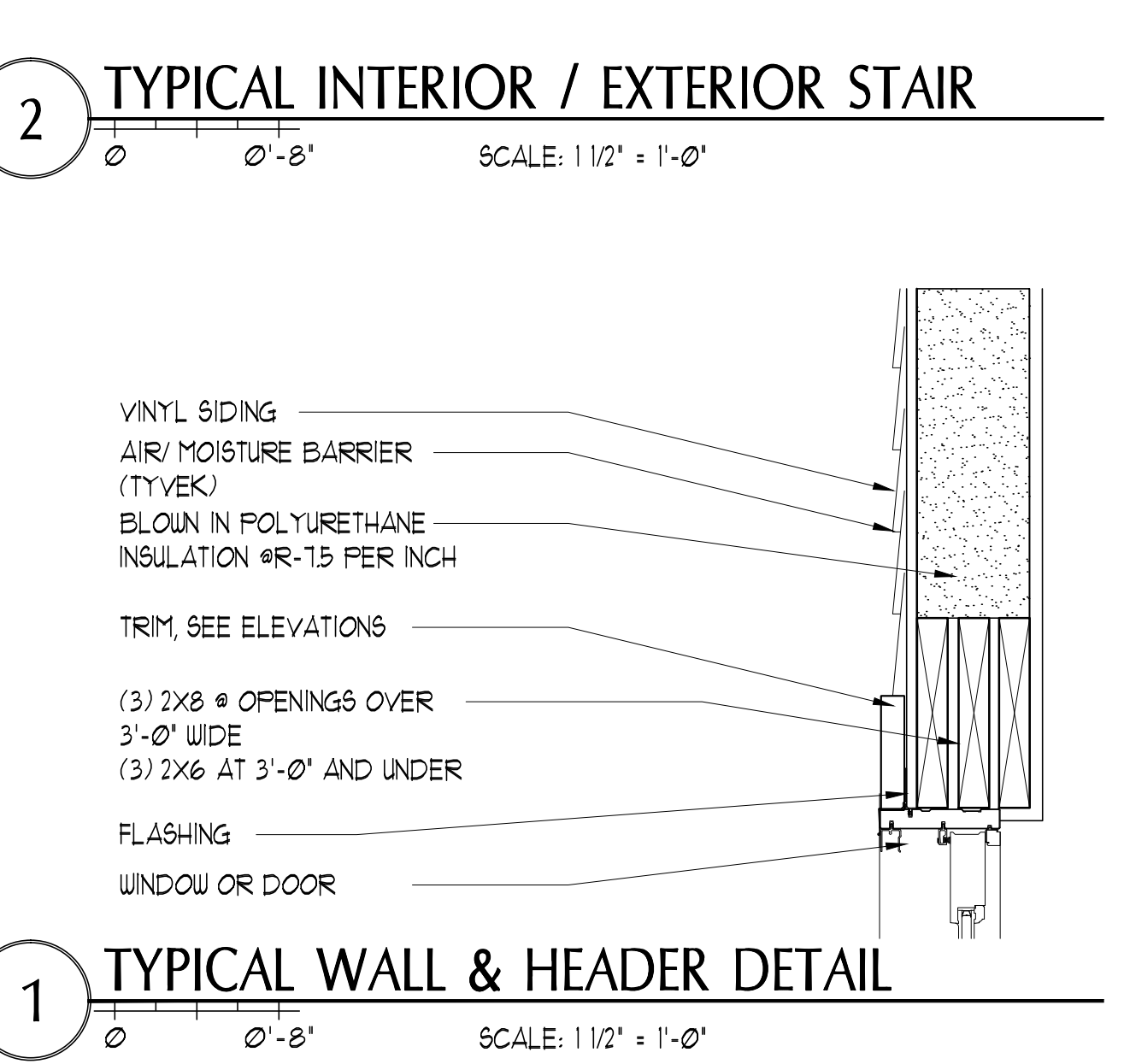
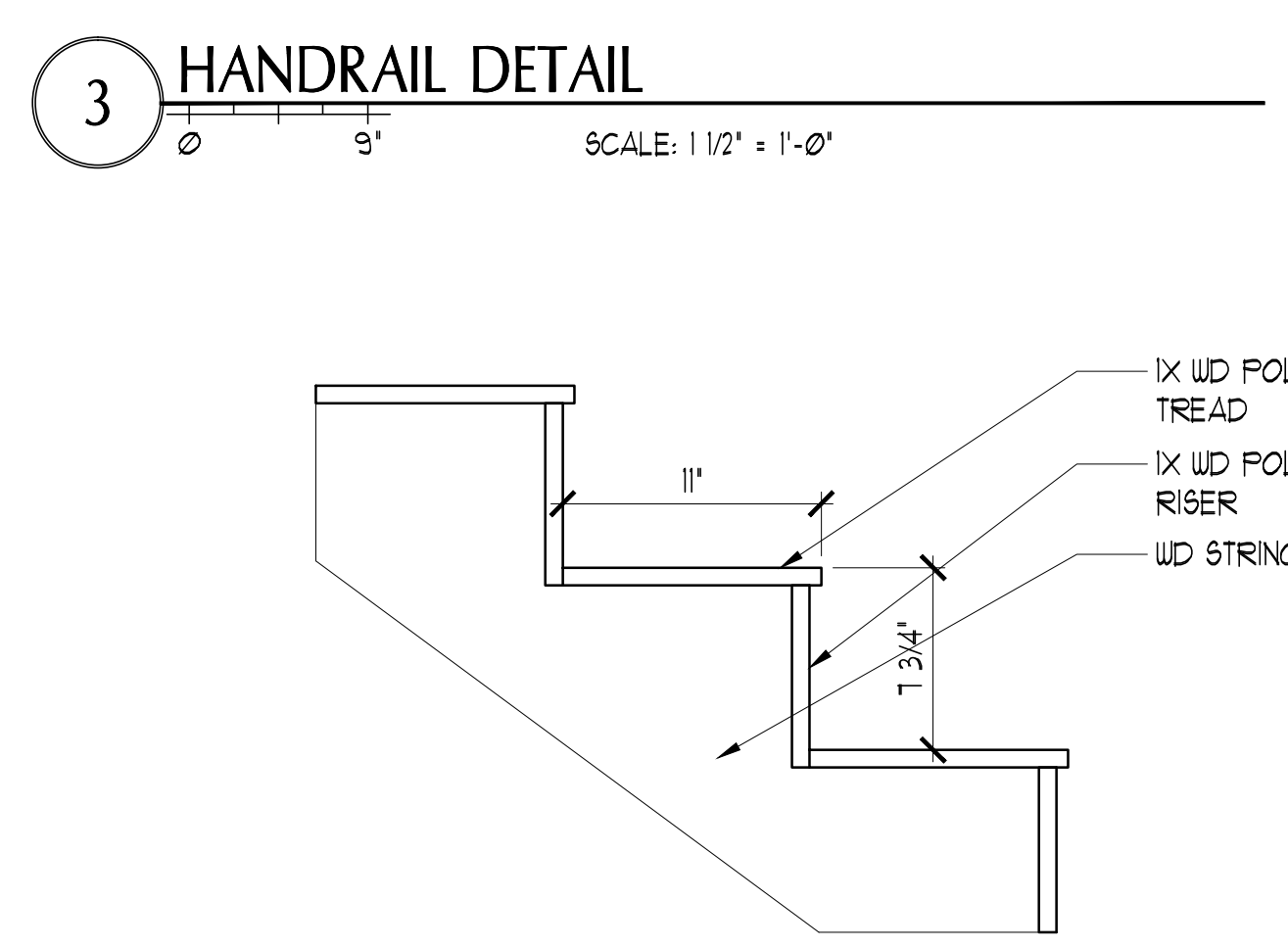
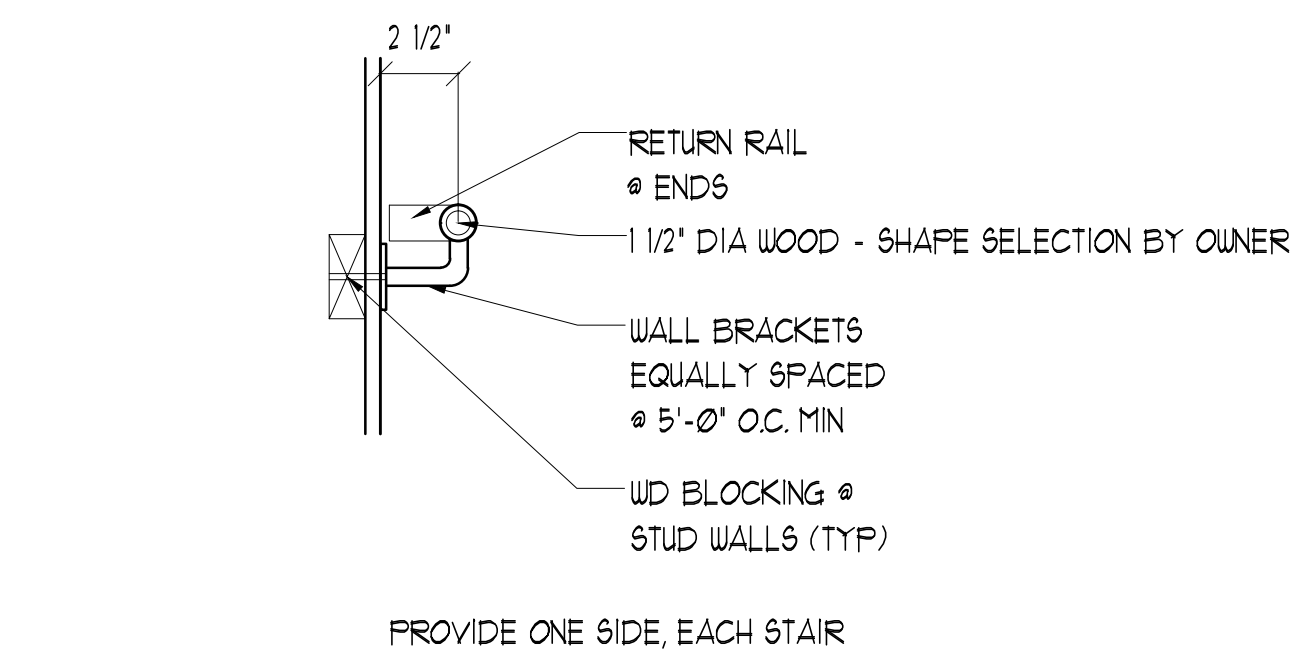
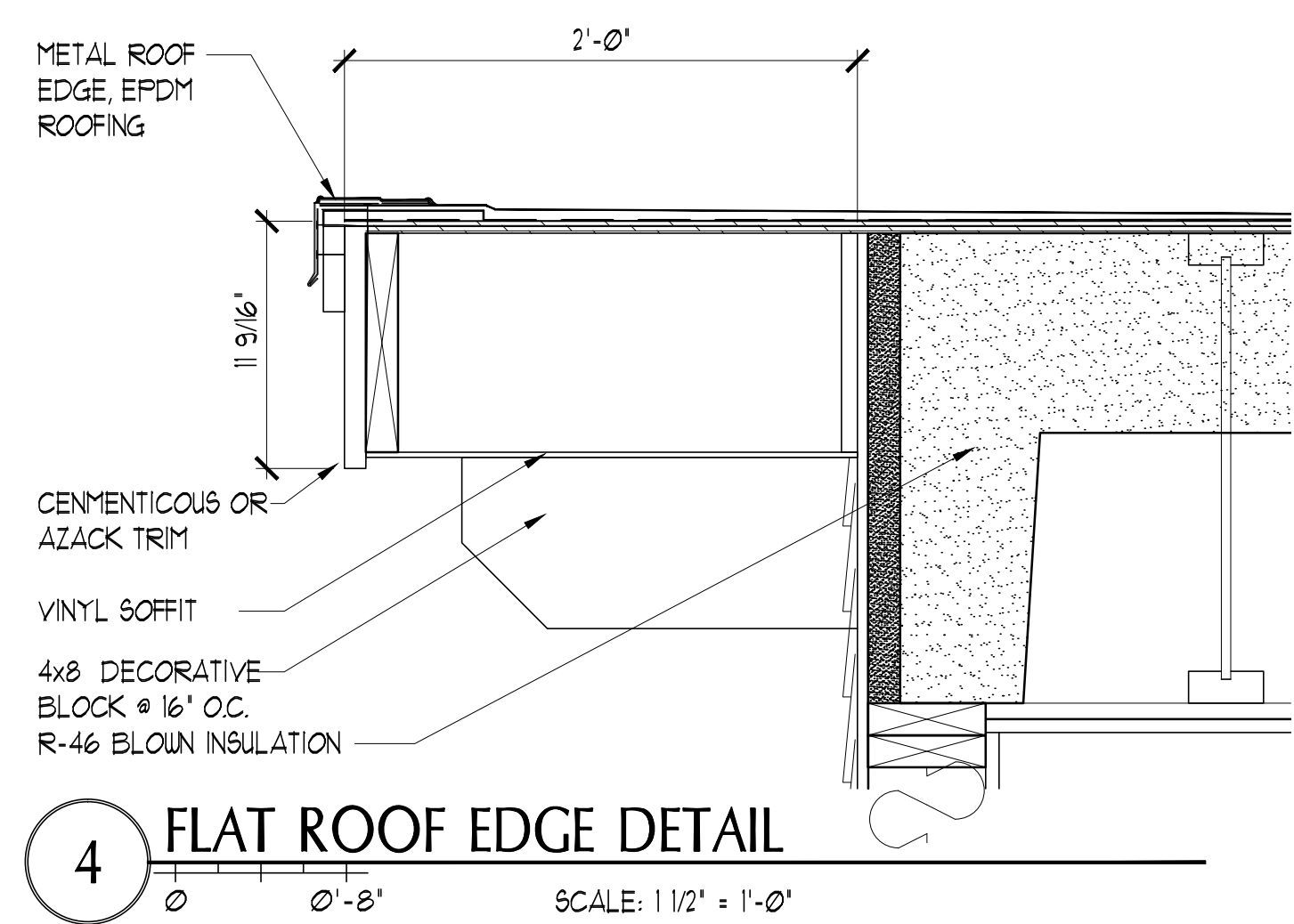
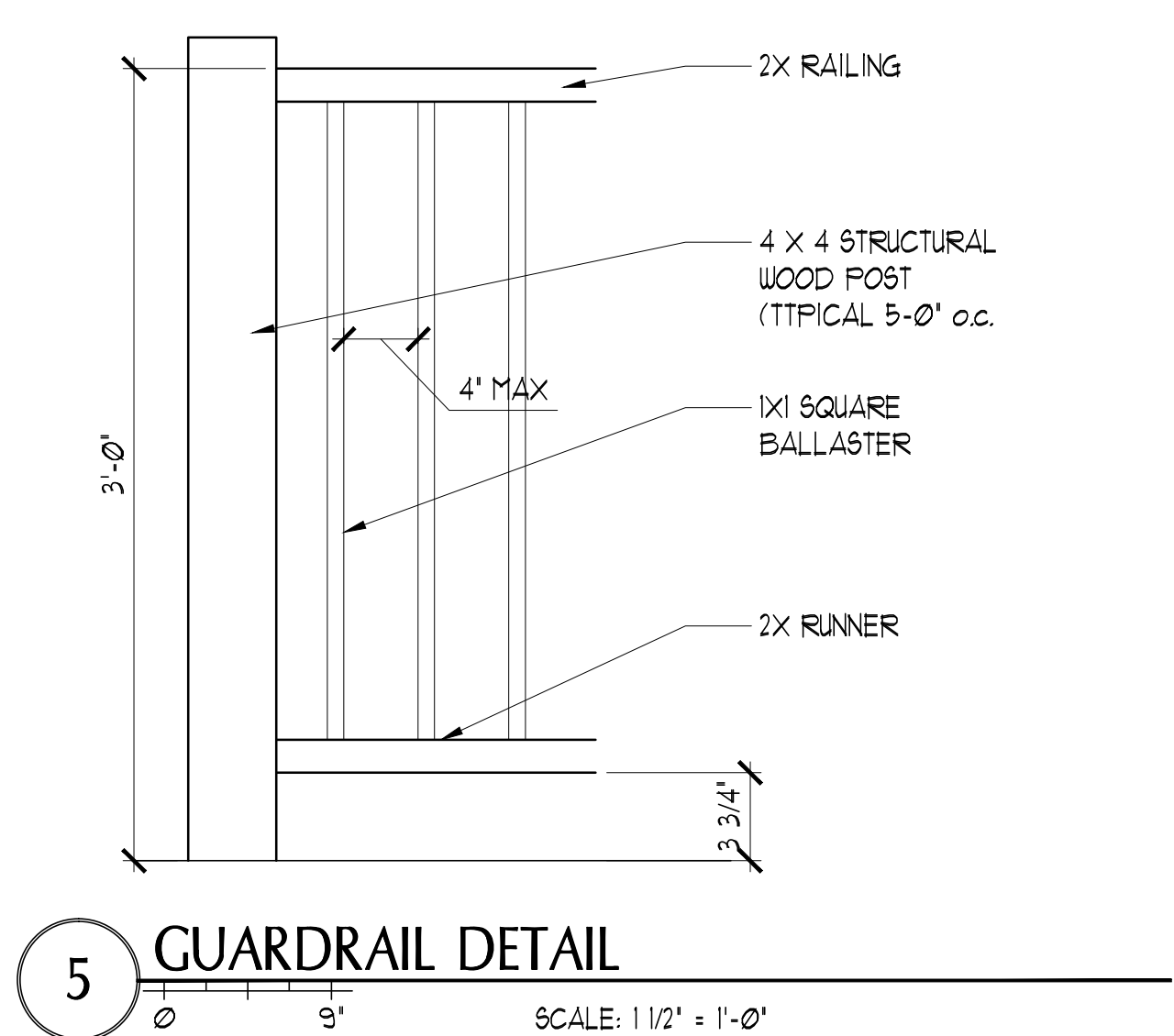


IF THIS SHEET IS NOT 24 X 36 IT IS A REDUCED SCALE PRINT - SCALE ACCORDINGLY



Model No.	CL	Anchor Dia.	Fasteners
DTTZZ	13/16	1/2"	8-SDS 1/4x1 1/2"

D20 DTTZZ Deck Tension Tie



5 GUARDRAIL DETAIL

CHARETTE DESIGN
ARCHITECTURE + SUSTAINABILITY

41 YORK STREET
PORTLAND, MAINE 04101
207.831.7757
CHARETTE-DESIGN.COM

LEBLANC RESIDENCE
146 NEWBURY STREET
PORTLAND, MAINE

#	DATE	DESCRIPTION
REVISIONS		
Date Issued	11.11.13	
Project Number	13203	
Drawing Scale	AS NOTED	
SHEET NAME		
SECTION AND DETAILS		
Drawn By	KJS	
Checked By	JCC	

A1.4