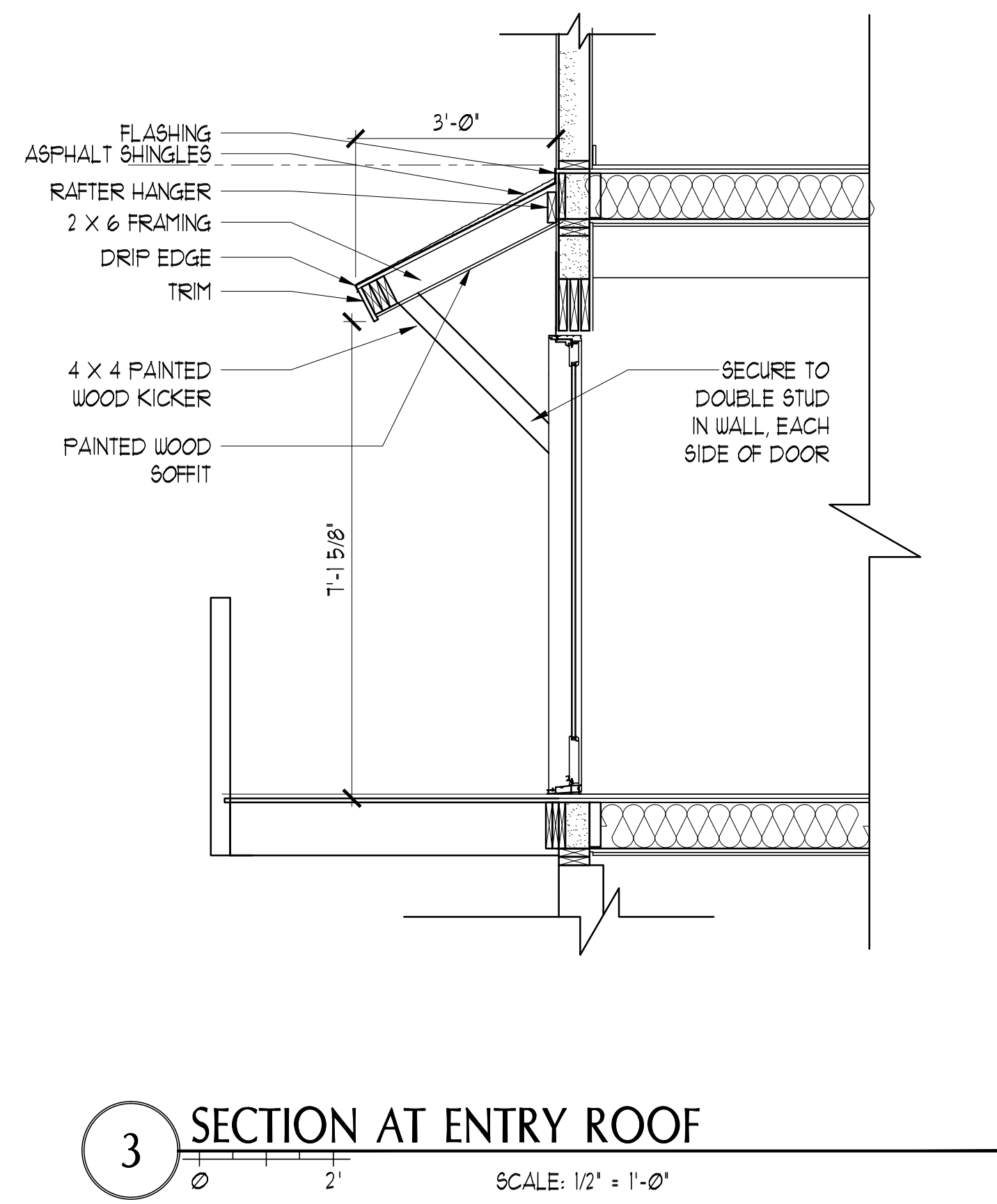
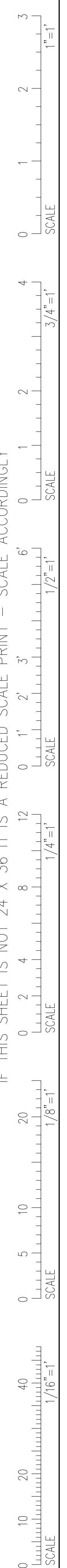
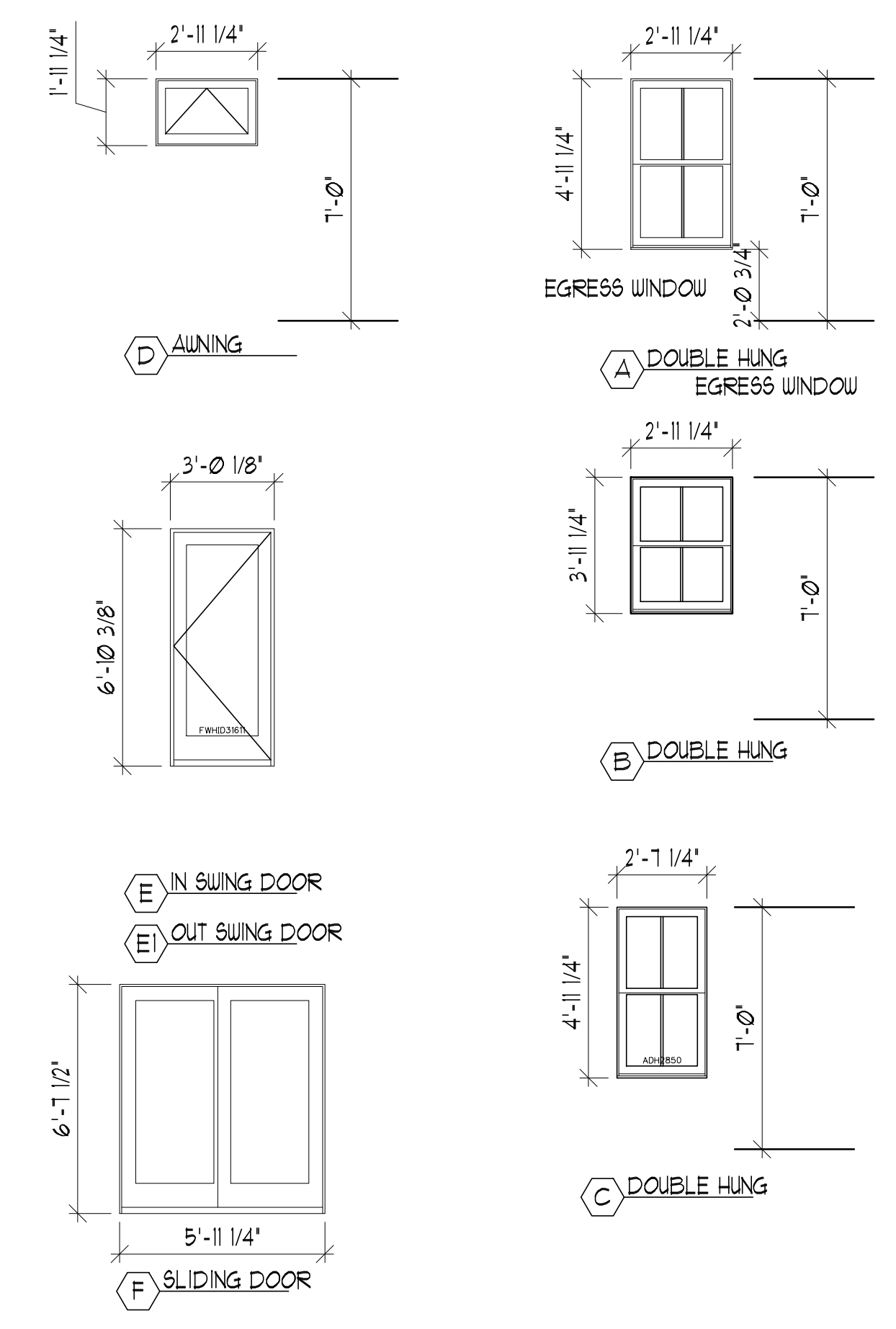


IF THIS SHEET IS NOT 24 X 36 IT IS A REDUCED SCALE PRINT -- SCALE ACCORDINGLY



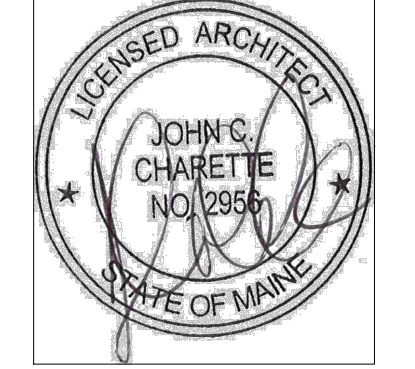
3 SECTION AT ENTRY ROOF
SCALE: 1/2" = 1'-0"



2 WINDOWS AND DOOR SCHEDULE
SCALE: 1/4" = 1'-0"



1 NORTH ELEVATION
SCALE: 1/4" = 1'-0"



#	DATE	DESCRIPTION
REVISIONS		

Date Issued	11.11.13
Project Number	13203
Drawing Scale	AS NOTED
SHEET NAME	ROOF PLAN AND ELEVATIONS

Drawn By	KJS
Checked By	JCC