



**City of Portland  
PUBLIC SAFETY BUILDING  
Crime Lab Project**

**Winton Scott Architects**  
5 Milk Street  
Portland, ME 04101

**Becker Structural Engineers, Inc.**  
75 York Street  
Portland, Maine 04101

**Mechanical Systems Engineers**  
10 Royal River Center  
Yarmouth, Maine 04096

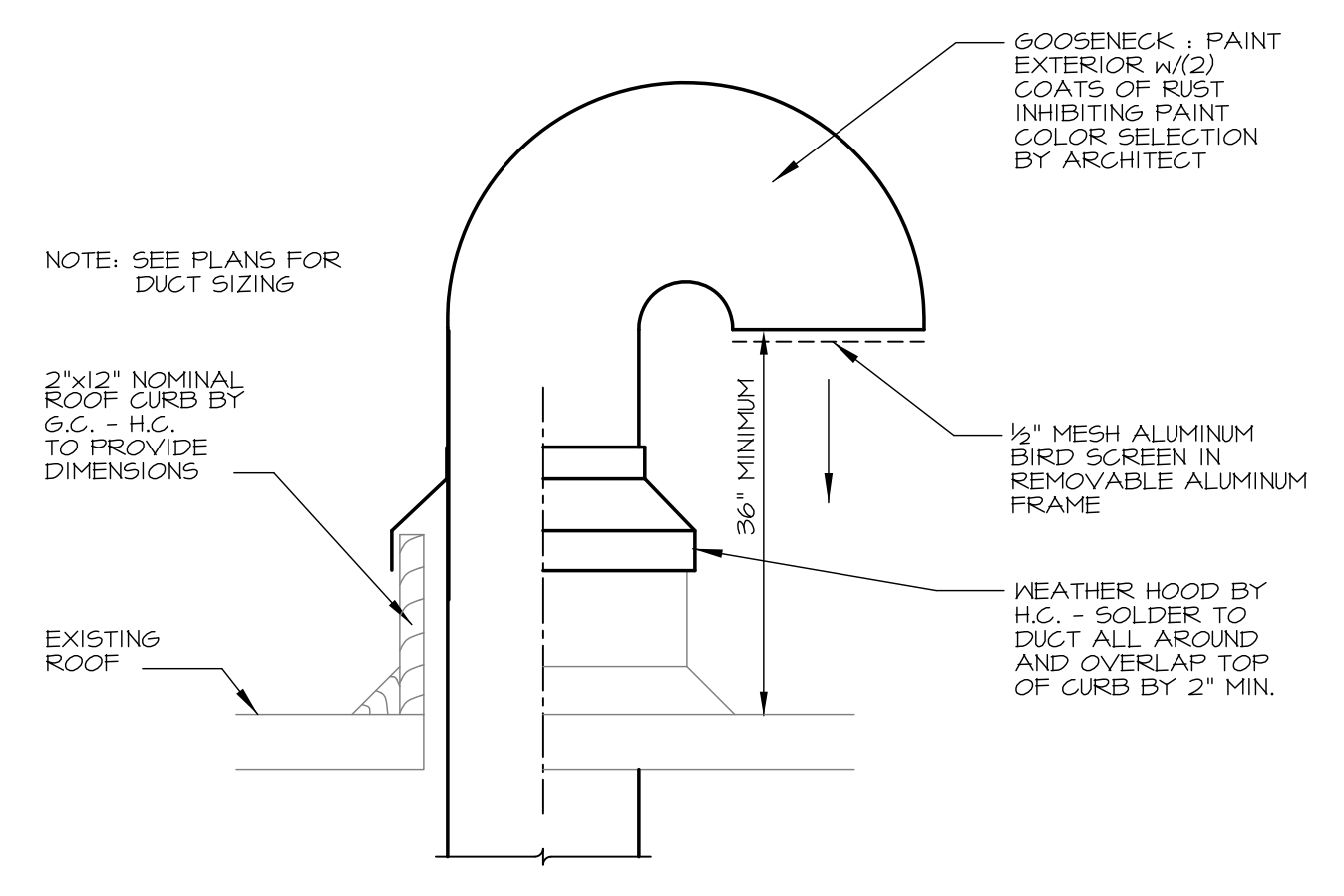
**Bartlett Design**  
942 Washington St.  
Bath, ME 04530

MECHANICAL  
DETAILS

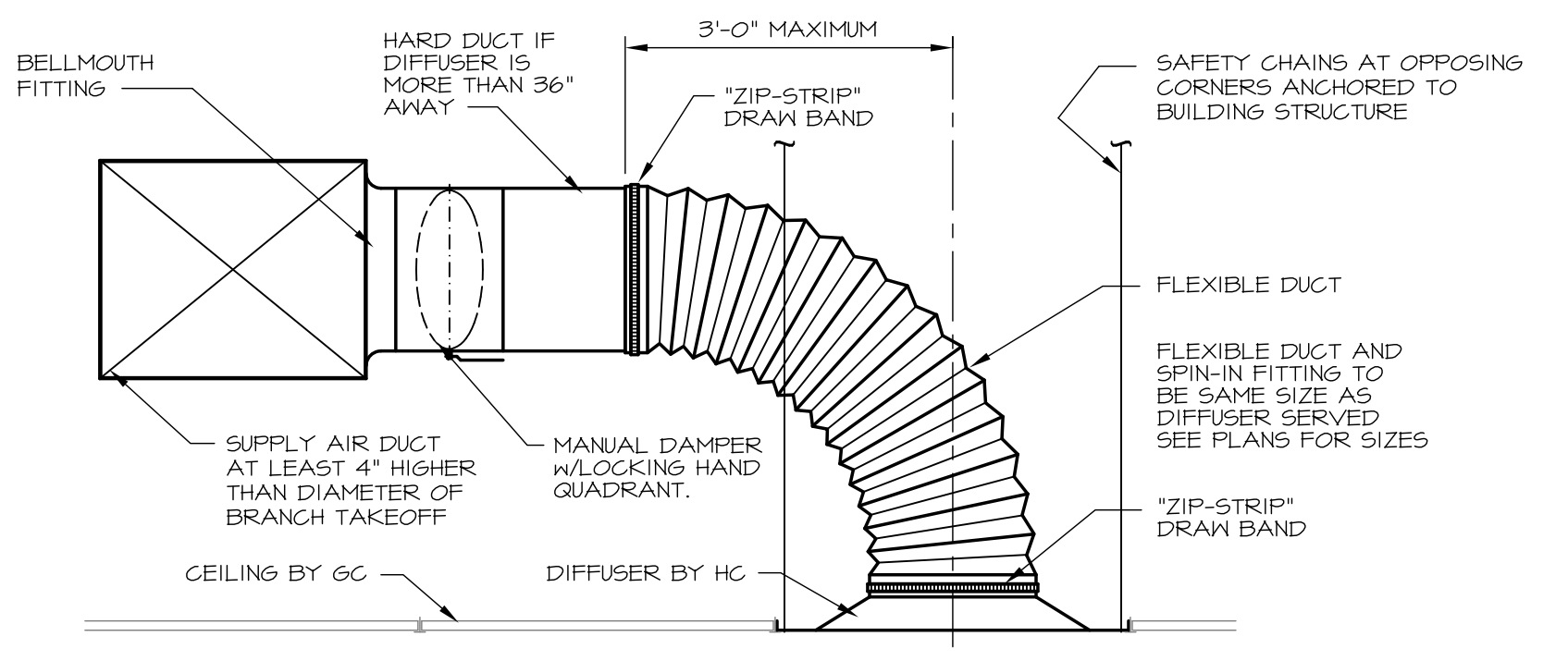
M8

M.S.E. Proj. 0811

Scale: 1/8"=1'-0" Date: 6/16/08

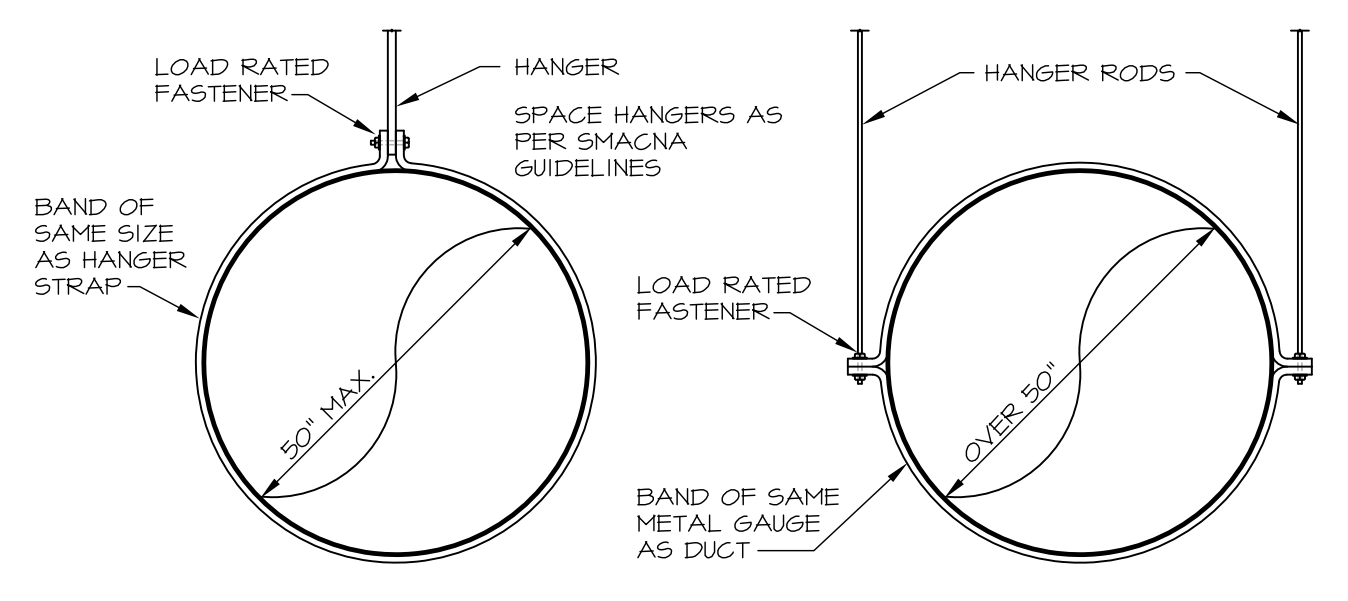
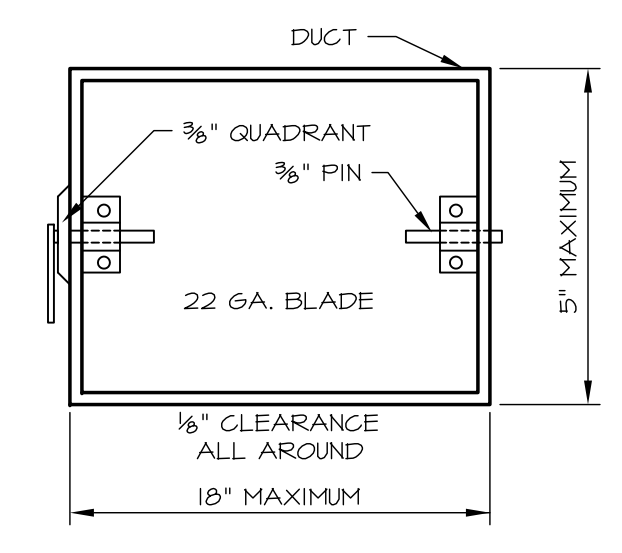


**1 ROOF GOOSENECK**  
NO SCALE

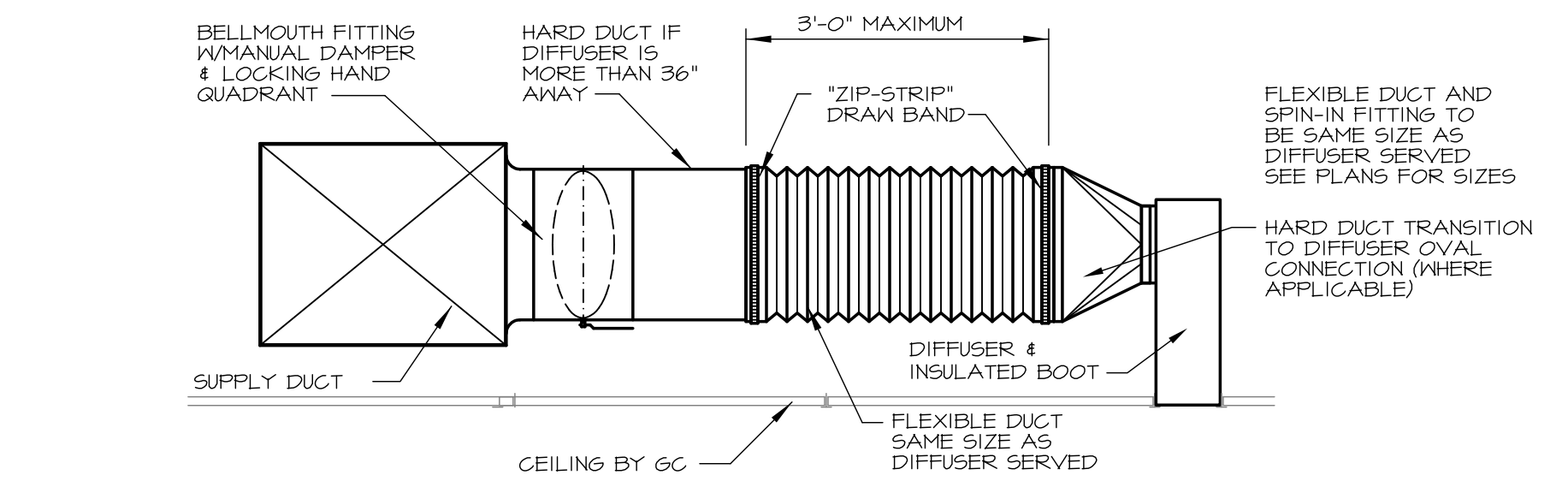


**5 FLEXIBLE DUCT & DIFFUSER CONNECTION DETAIL**  
NO SCALE

**9 SHOP FABRICATED MANUAL DAMPER**  
NO SCALE

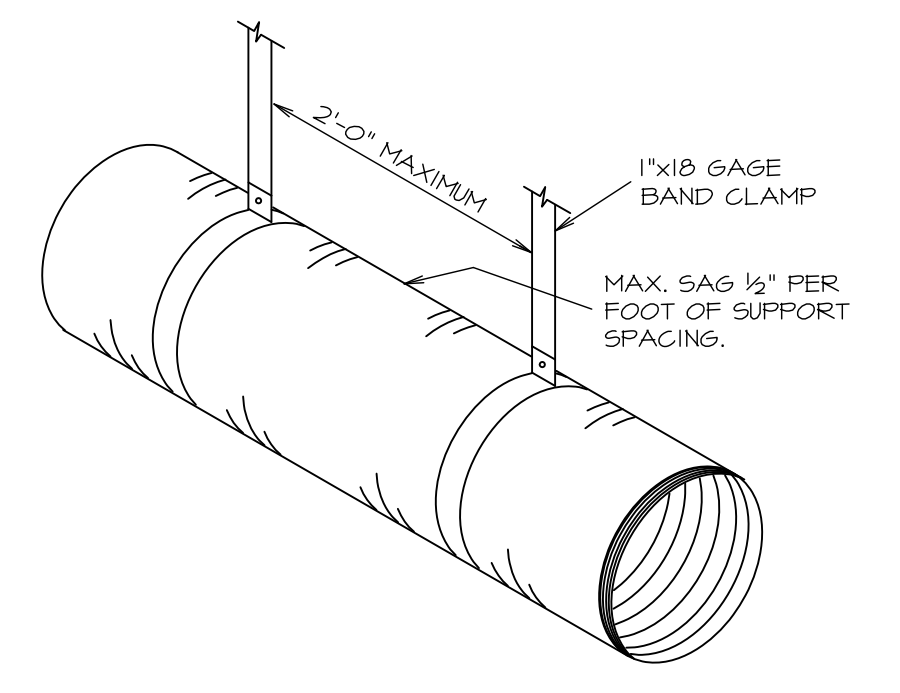
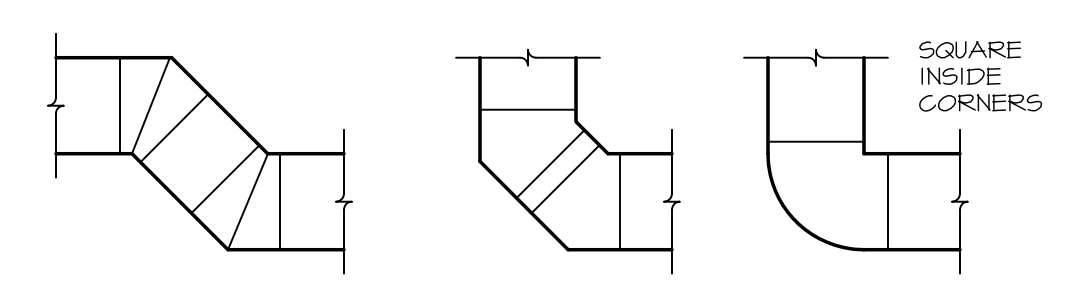


**2 ROUND DUCT SUPPORTS**  
NO SCALE

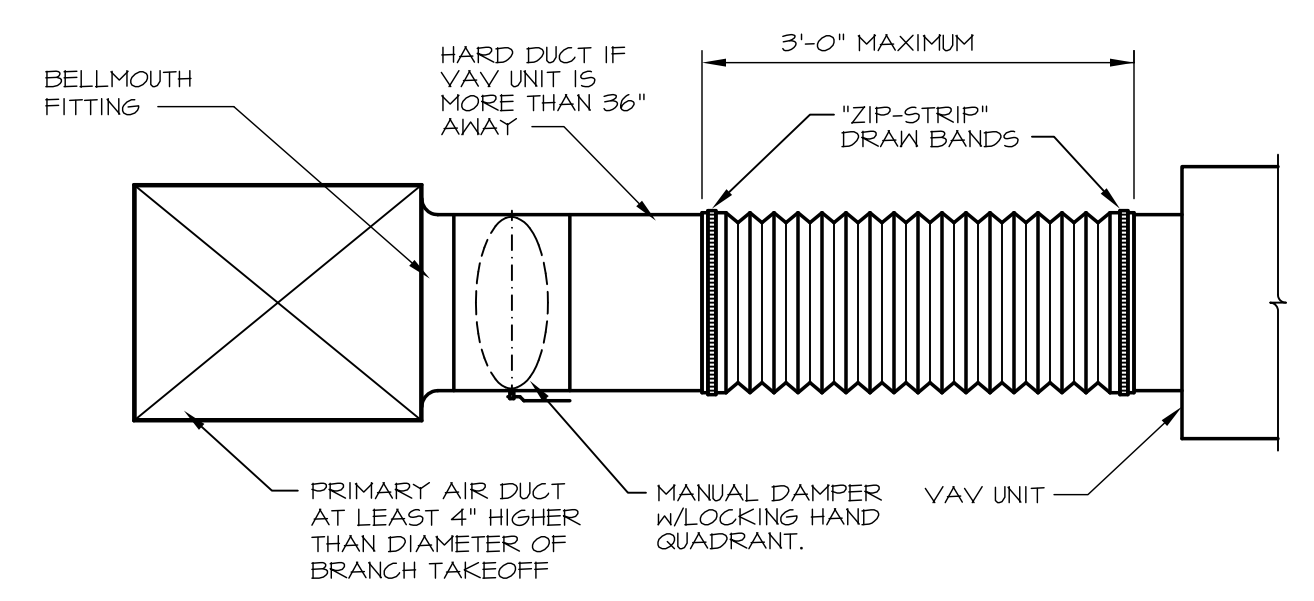


**6 FLEXIBLE DUCT & SLOT DIFFUSER CONNECTION DETAIL**  
NO SCALE

**10 UNACCEPTABLE DUCT FITTINGS**  
NO SCALE

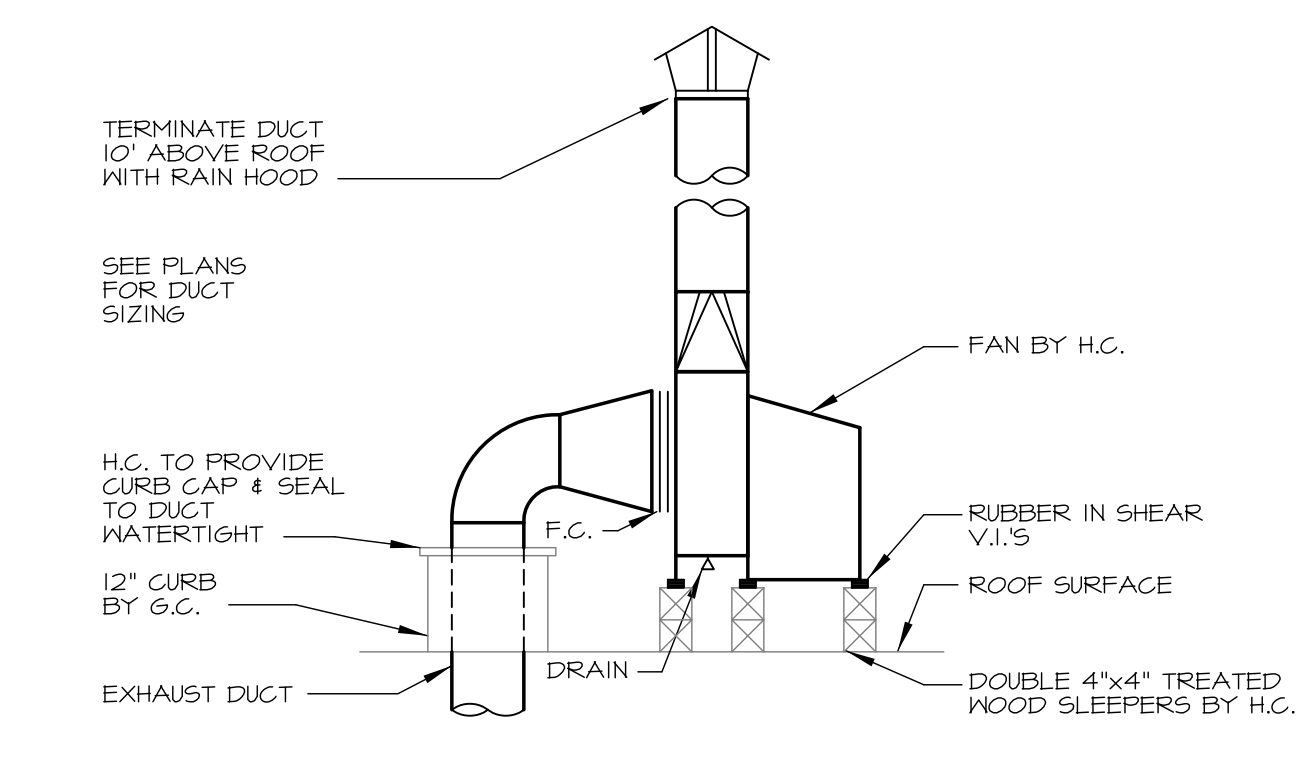
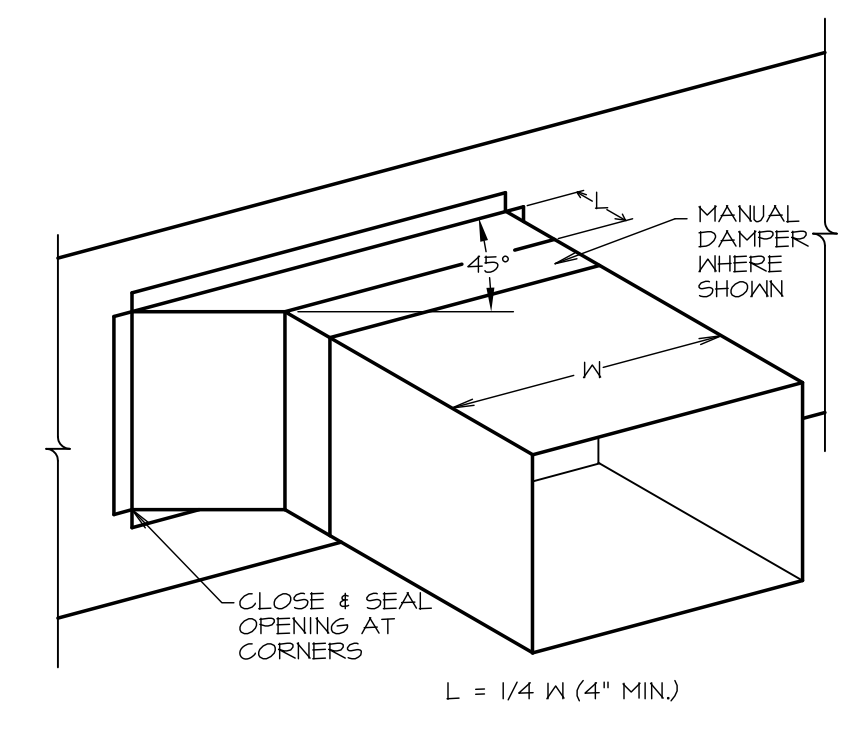


**3 FLEXIBLE DUCT SUPPORT DETAIL**  
NO SCALE

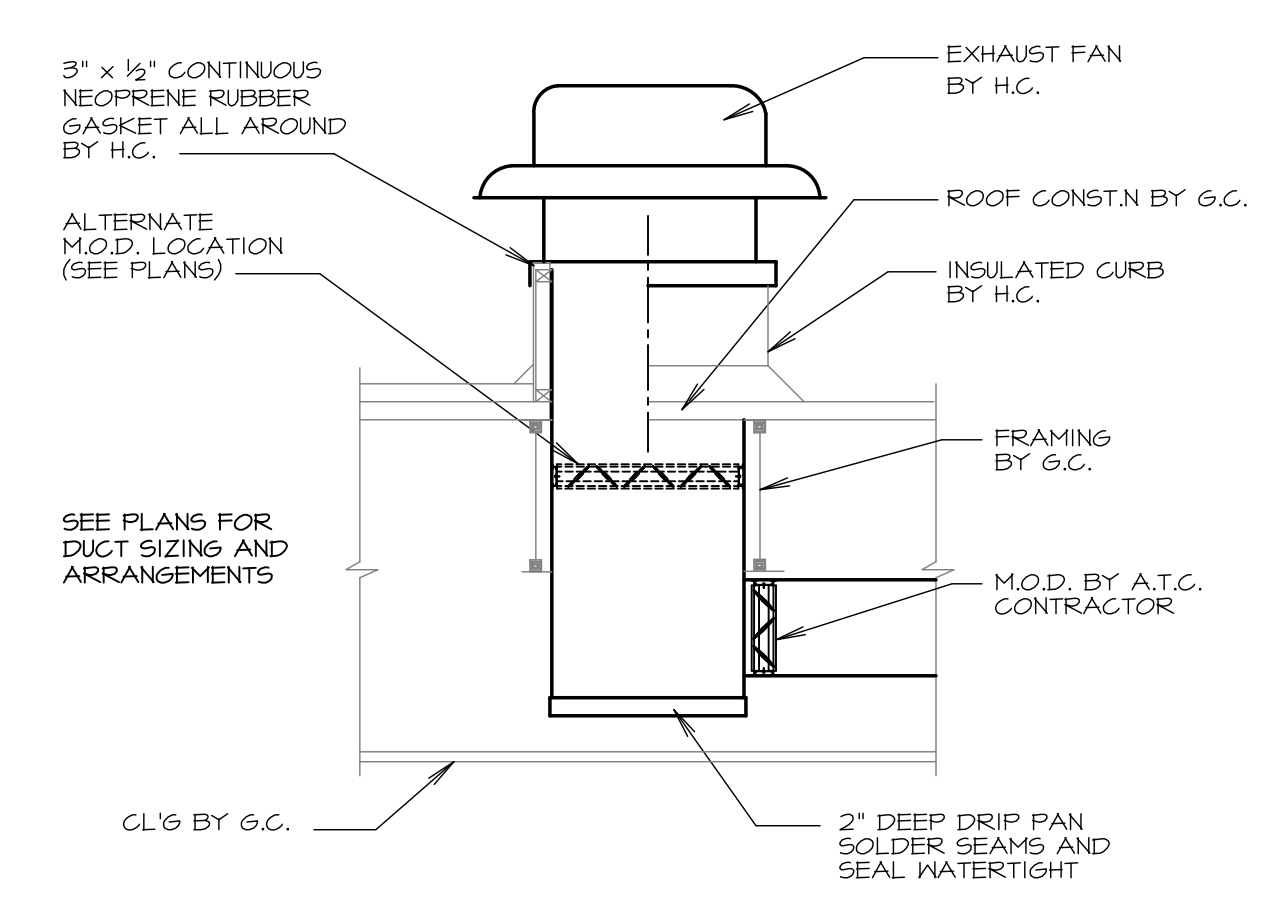


**7 PRIMARY AIR DUCT CONNECTION TO VAV UNITS**  
NO SCALE

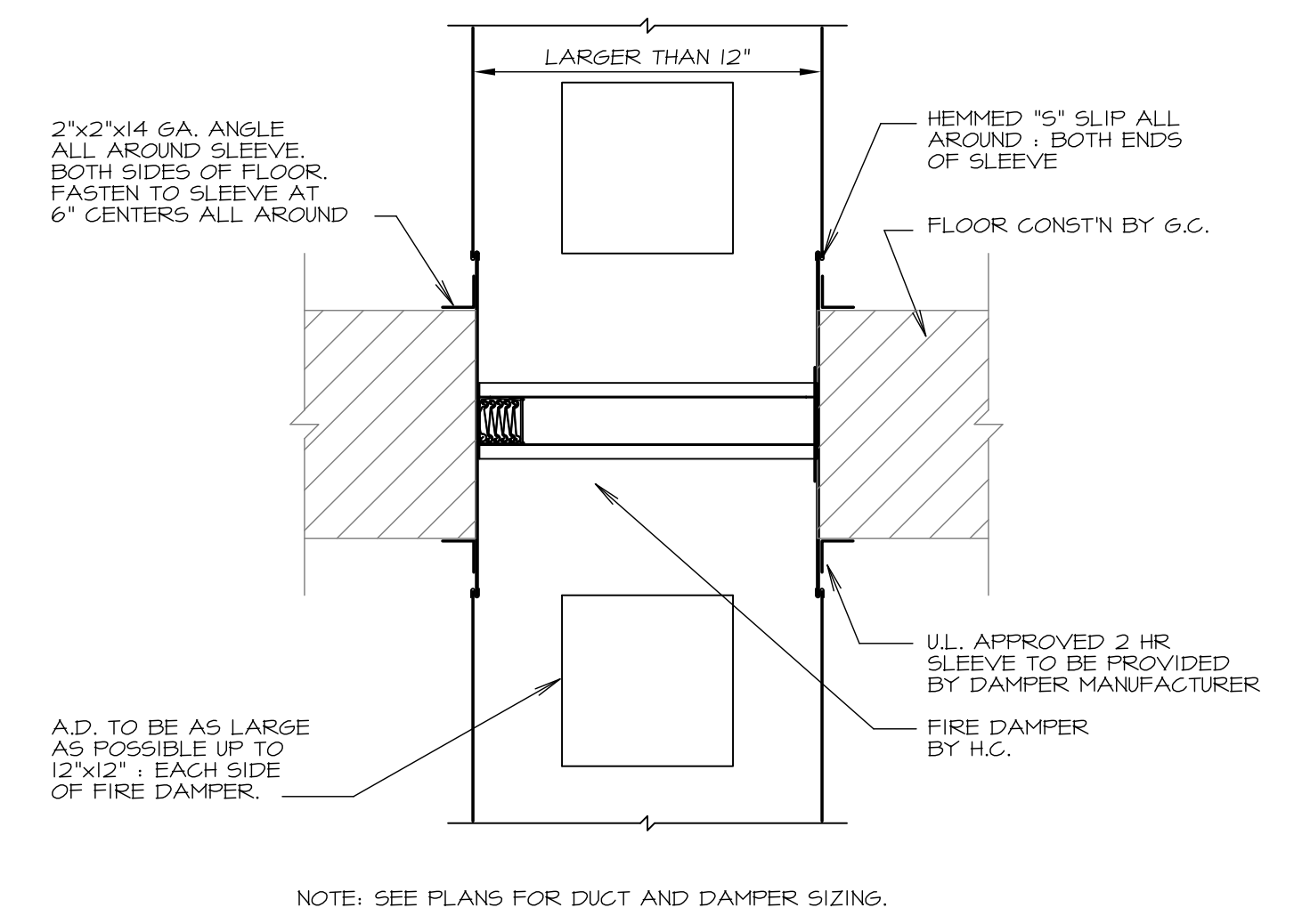
**11 BRANCH DUCT CONNECTION**  
NO SCALE



**4 FUME HOOD EXHAUST FAN DETAIL**  
NO SCALE



**8 ROOF EXHAUST FAN**  
NO SCALE



**12 FLOOR FIRE DAMPER STYLE "A"**  
NO SCALE

**MECHANICAL SYSTEMS ENGINEERS**  
ROYAL RIVER CENTER, UNIT #10  
10 FOREST FALLS DRIVE  
YARMOUTH, MAINE 04096  
VOICE: (207) 846-1441  
FAX: (207) 846-1443  
mechsyst@maine.rr.com  
© COPYRIGHT 2008

June 16, 2008 - 12:17 pm  
\\Msefpa1\Projects\0811 - Portland Crime Lab\Drawings\0811\_M7-M8.dwg