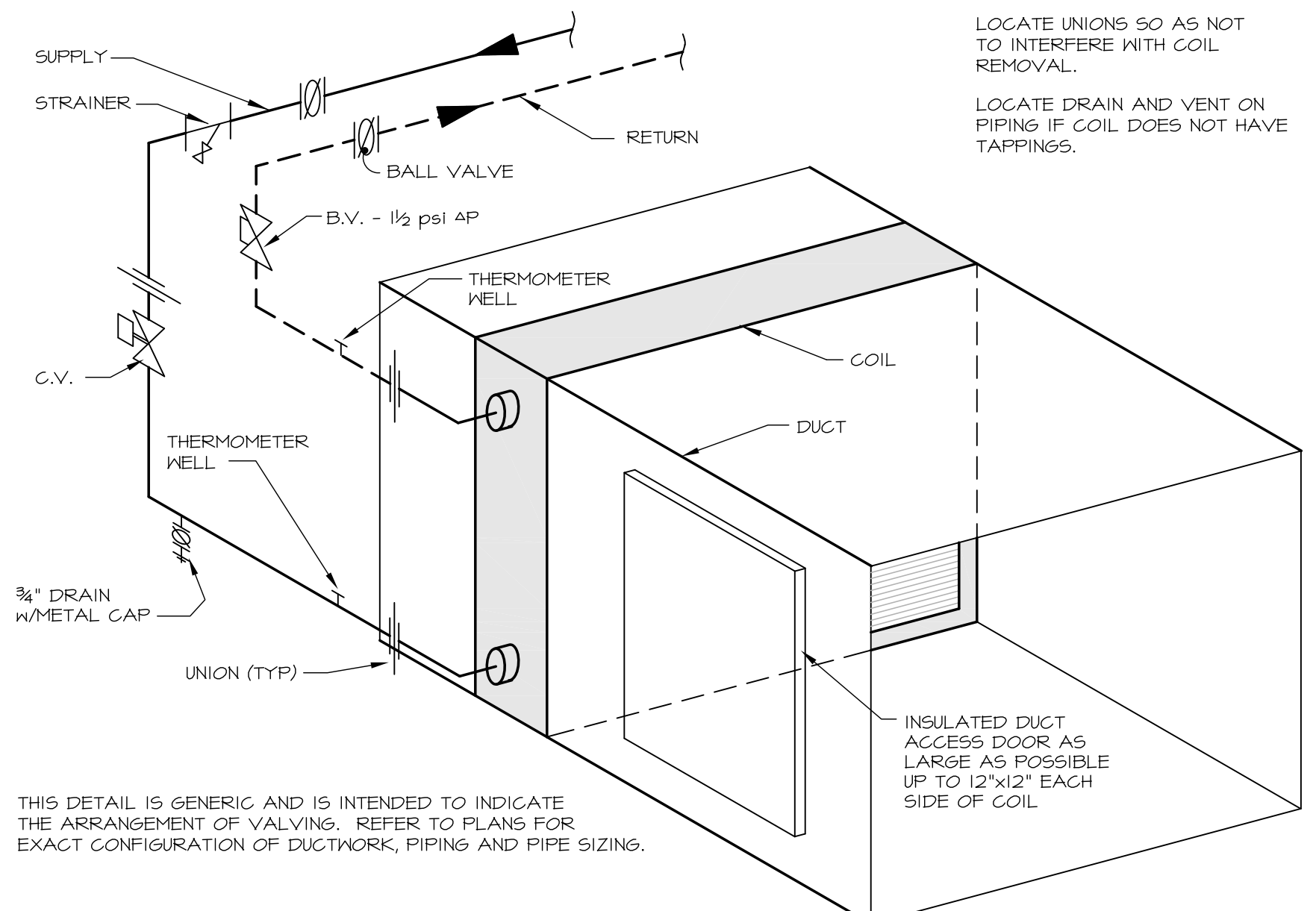
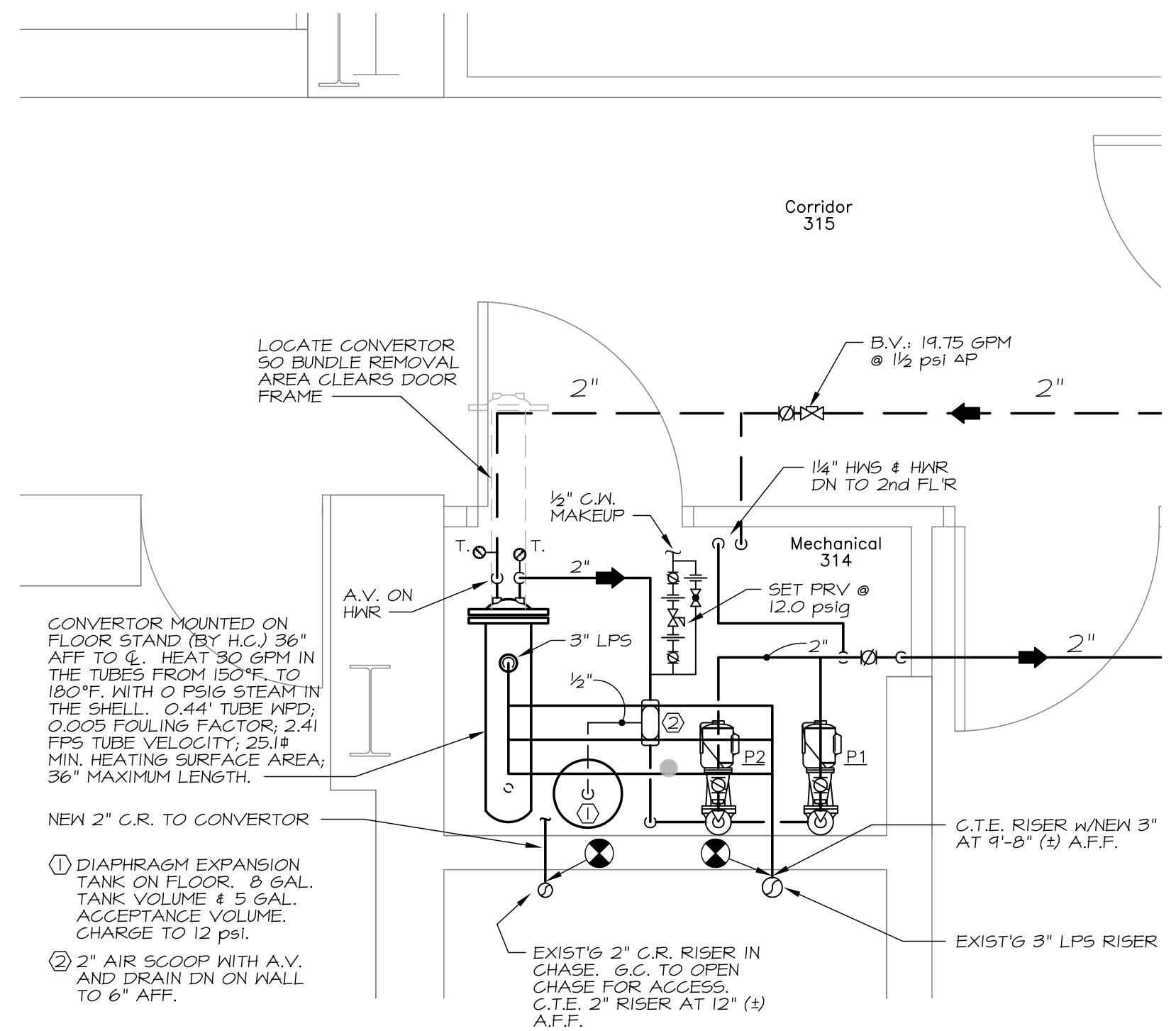


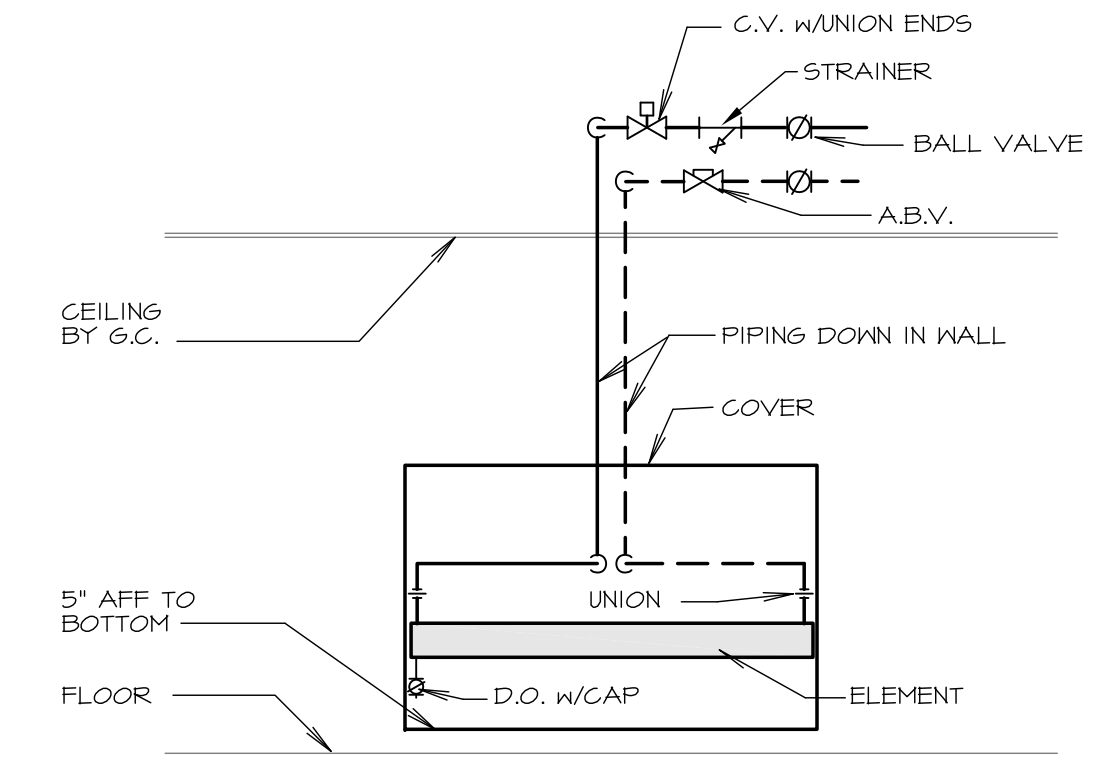
1 COIL PIPING AT VAV UNITS
NO SCALE



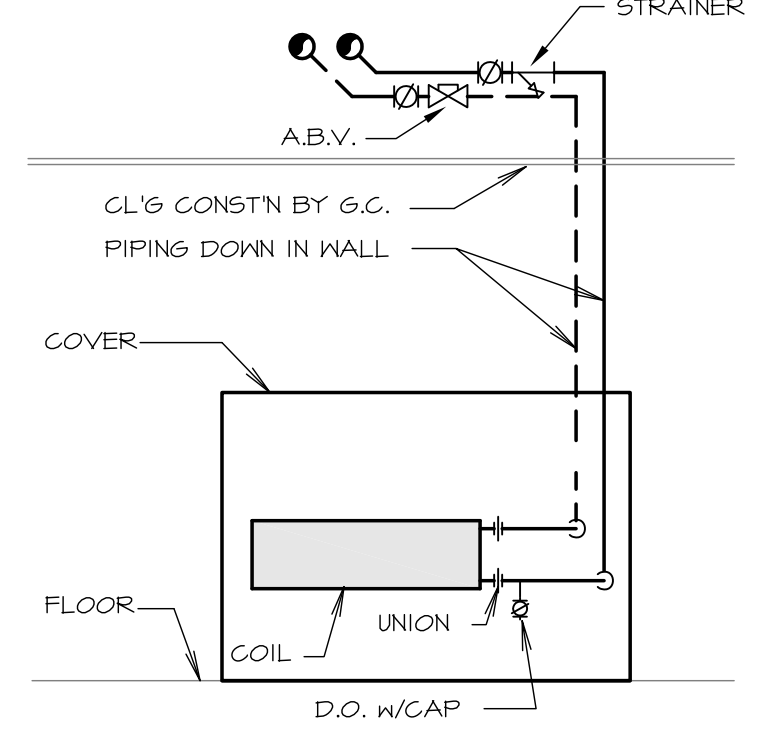
2 DUCT HOT WATER COIL DETAIL
NO SCALE



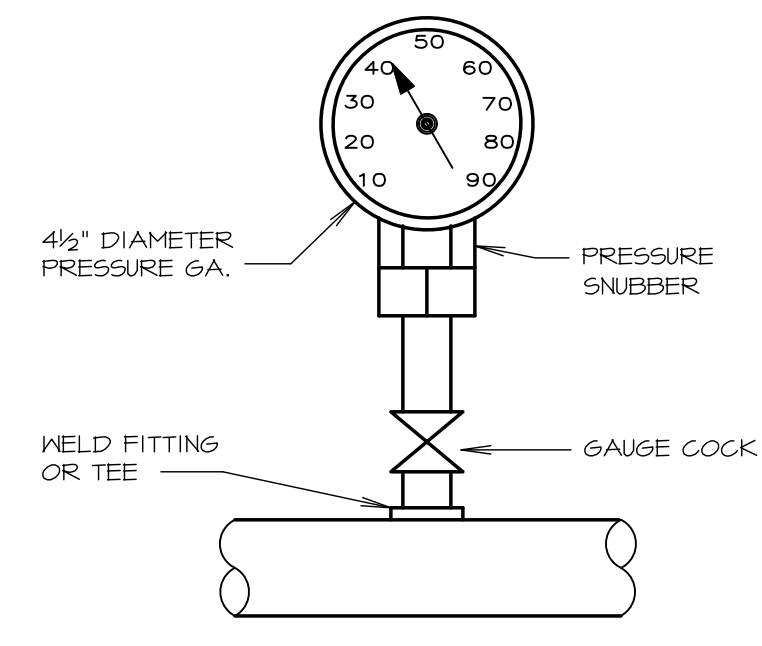
3 ENLARGED PLAN OF MECHANICAL 314
SCALE: 1/2" = 1'-0"



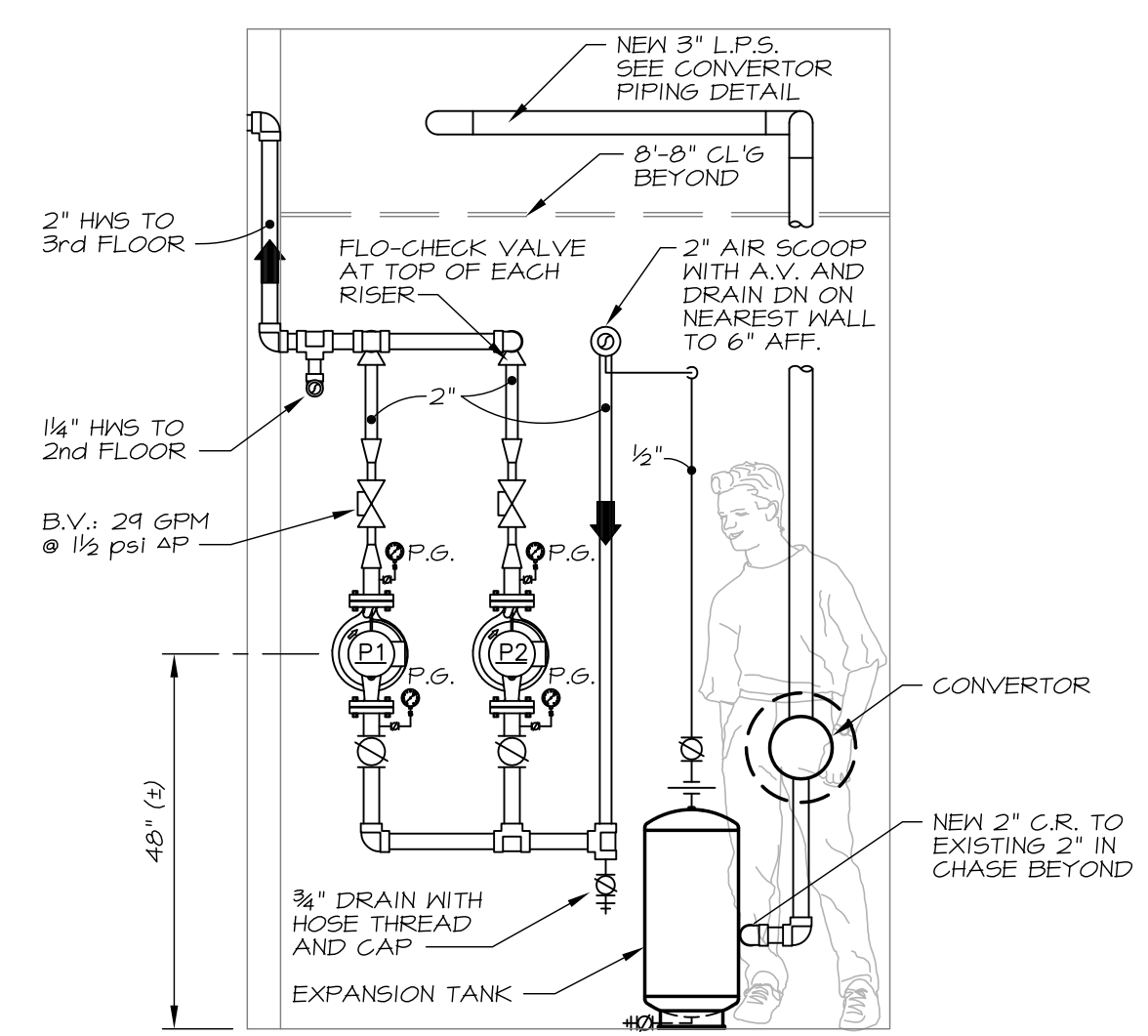
4 DOWNFEED CONVERTOR
NO SCALE



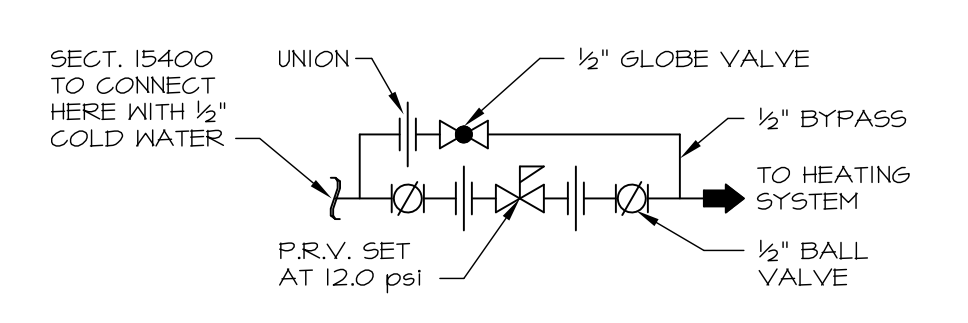
5 DOWNFEED CABINET UNIT HEATER
NO SCALE



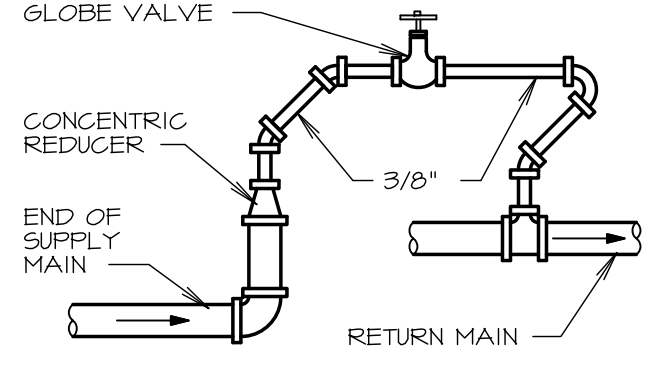
6 WATER PRESSURE GAUGE
NO SCALE



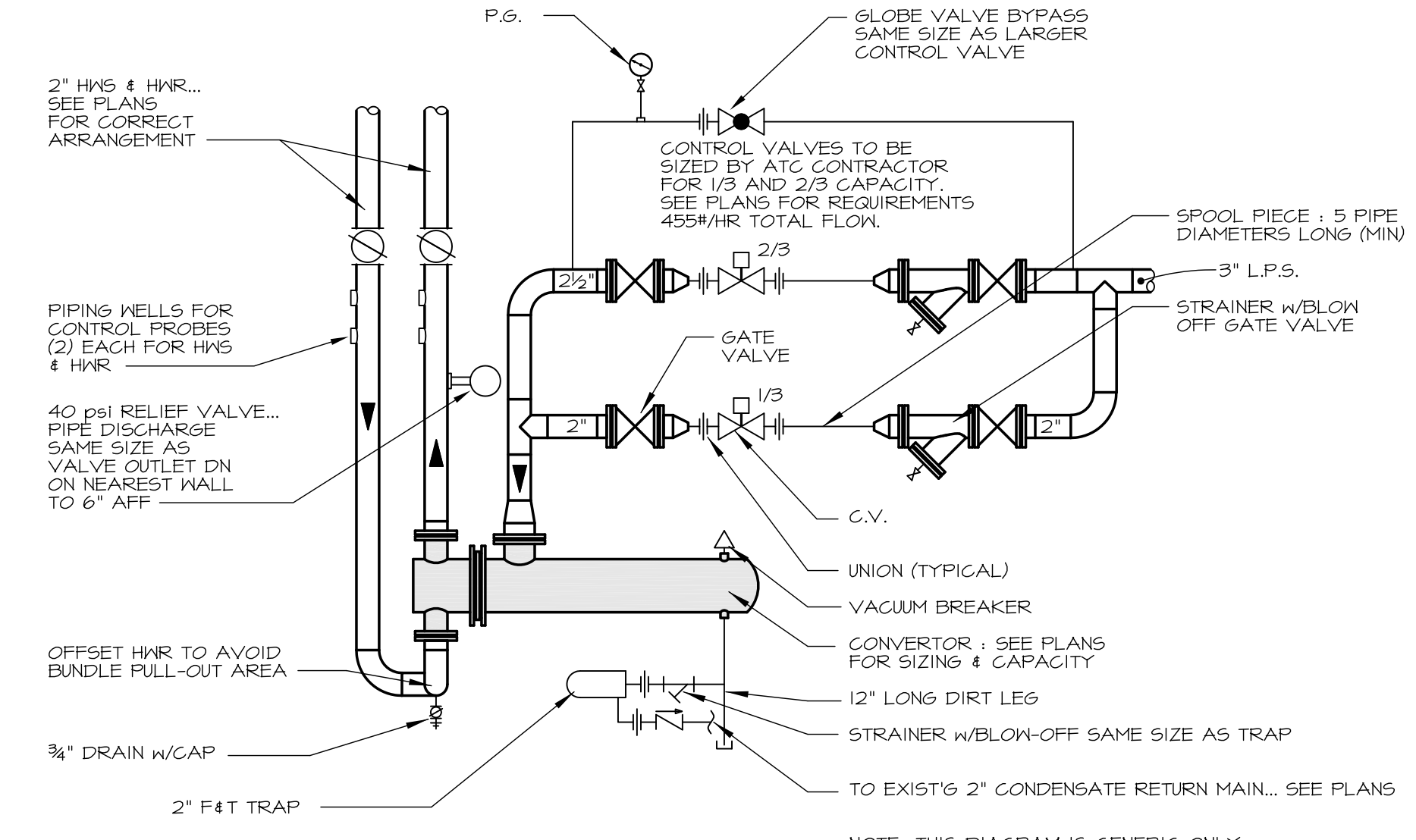
7 SECTION THRU MECHANICAL 314
SCALE: 1/2" = 1'-0"



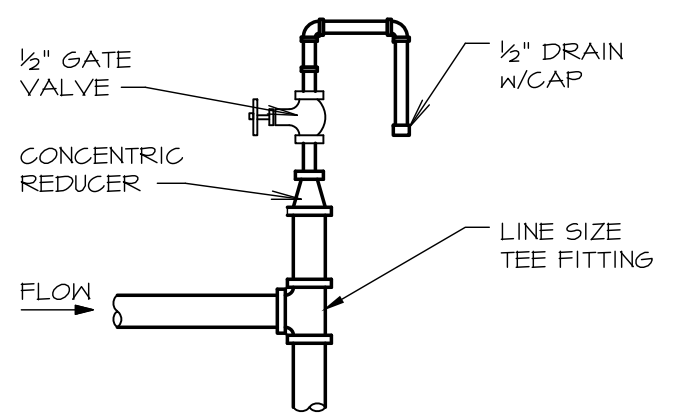
9 HEATING SYSTEM WATER MAKE-UP DETAIL
NO SCALE



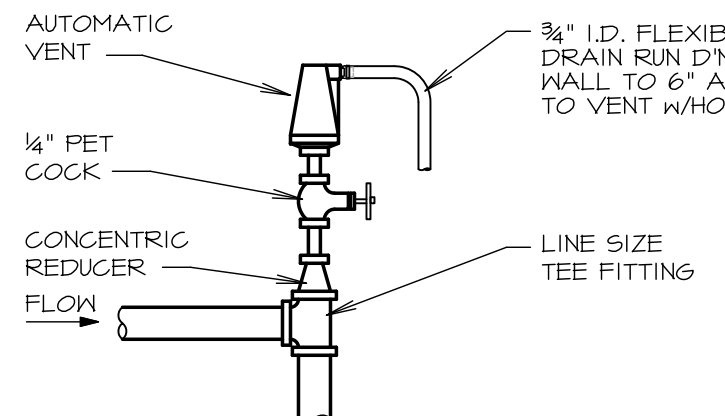
10 BYPASS VENT
NO SCALE



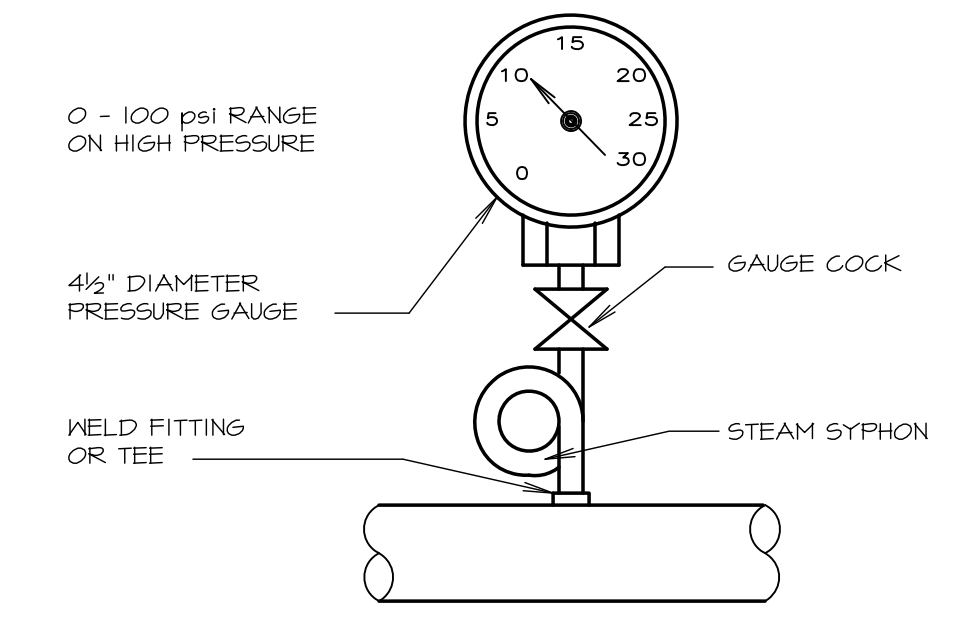
13 CONVERTOR PIPING DIAGRAM
NO SCALE



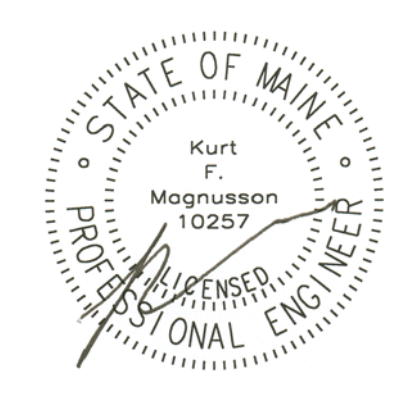
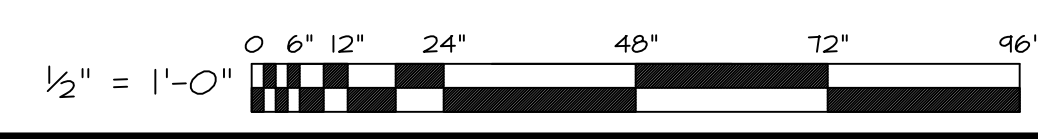
11 MANUAL VENT
NO SCALE



12 AUTOMATIC VENT
NO SCALE



14 STEAM PRESSURE GAUGE
NO SCALE



**City of Portland
PUBLIC SAFETY BUILDING
Crime Lab Project**

Winton Scott Architects
5 Milk Street
Portland, ME 04101

Becker Structural Engineers, Inc.
75 York Street
Portland, Maine 04101

Mechanical Systems Engineers
10 Royal River Center
Yarmouth, Maine 04096

Bartlett Design
942 Washington St.
Bath, ME 04530

MECHANICAL
DETAILS

M7

M.S.E. Proj. 0811

Scale: 1/8"=1'-0" Date: 6/16/08

June 16, 2008 - 12:17 pm
\\Msefpa1\Projects\0811 - Portland Crime Lab\Drawings\0811_M7-M8.dwg

MECHANICAL SYSTEMS ENGINEERS
ROYAL RIVER CENTER, UNIT #10
10 FOREST FALLS DRIVE
YARMOUTH, MAINE 04096
VOICE: (207) 846-1441
FAX: (207) 846-1443
mechsys@maine.rr.com
© COPYRIGHT 2008