

City of Portland  
**PUBLIC SAFETY BUILDING**  
 Crime Lab Project

Winton Scott  
 Architects  
 5 Milk Street  
 Portland, ME 04101

Becker Structural  
 Engineers, Inc.  
 75 York Street  
 Portland, Maine 04101

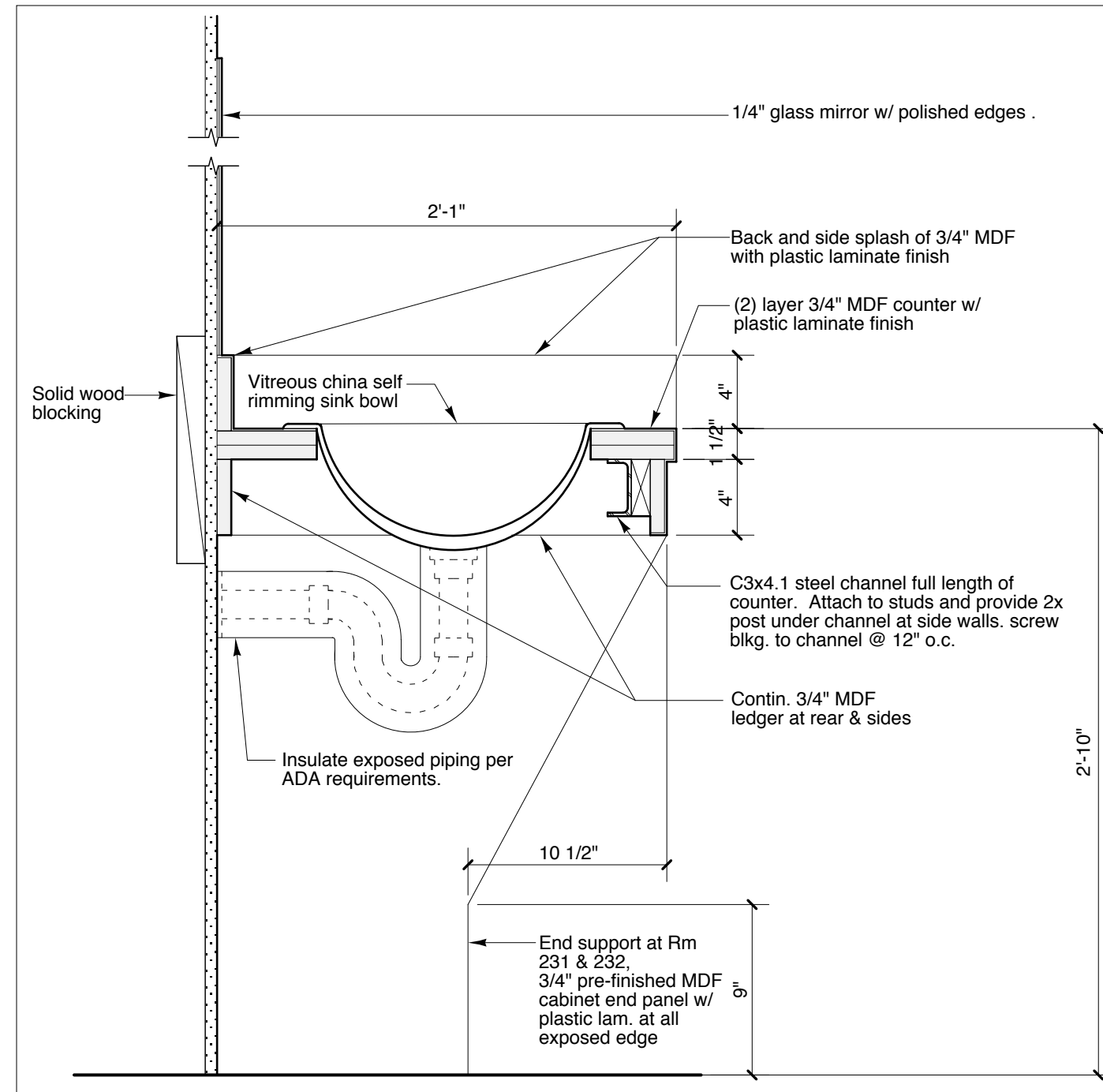
Mechanical  
 Systems  
 Engineers  
 10 Royal River Center  
 Yarmouth, Maine 04096

Bartlett Design  
 942 Washington St.  
 Bath, ME 04530

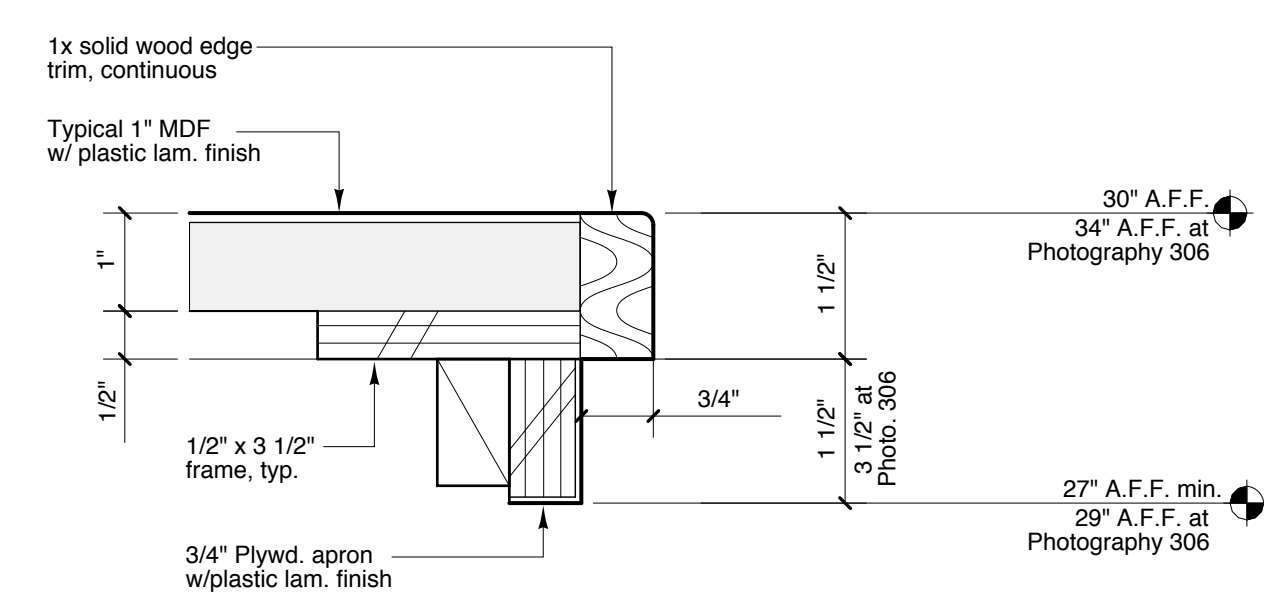
MILLWORK DETAILS

**A12**

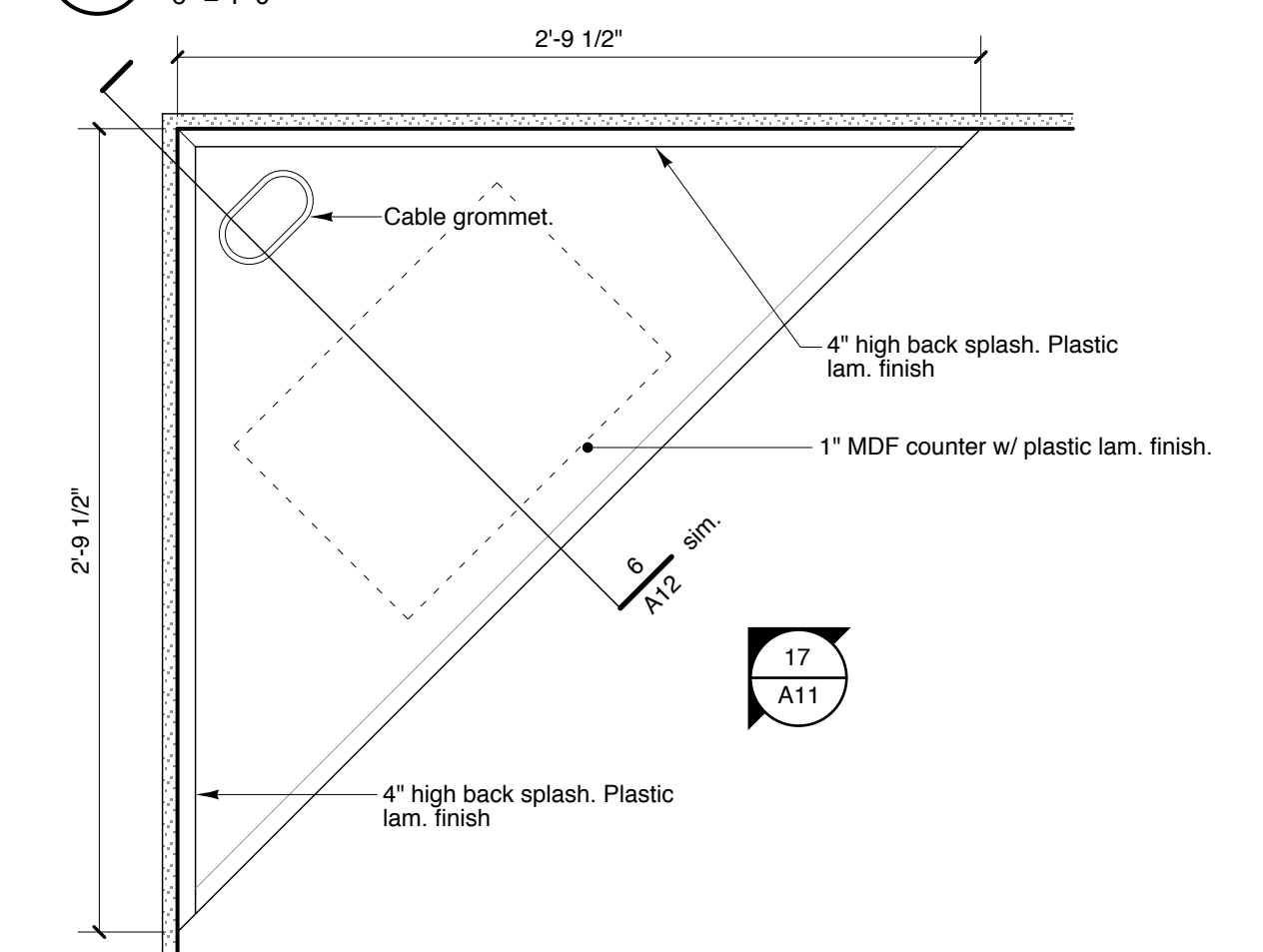
Scale: as indicated Date: 6/16/08



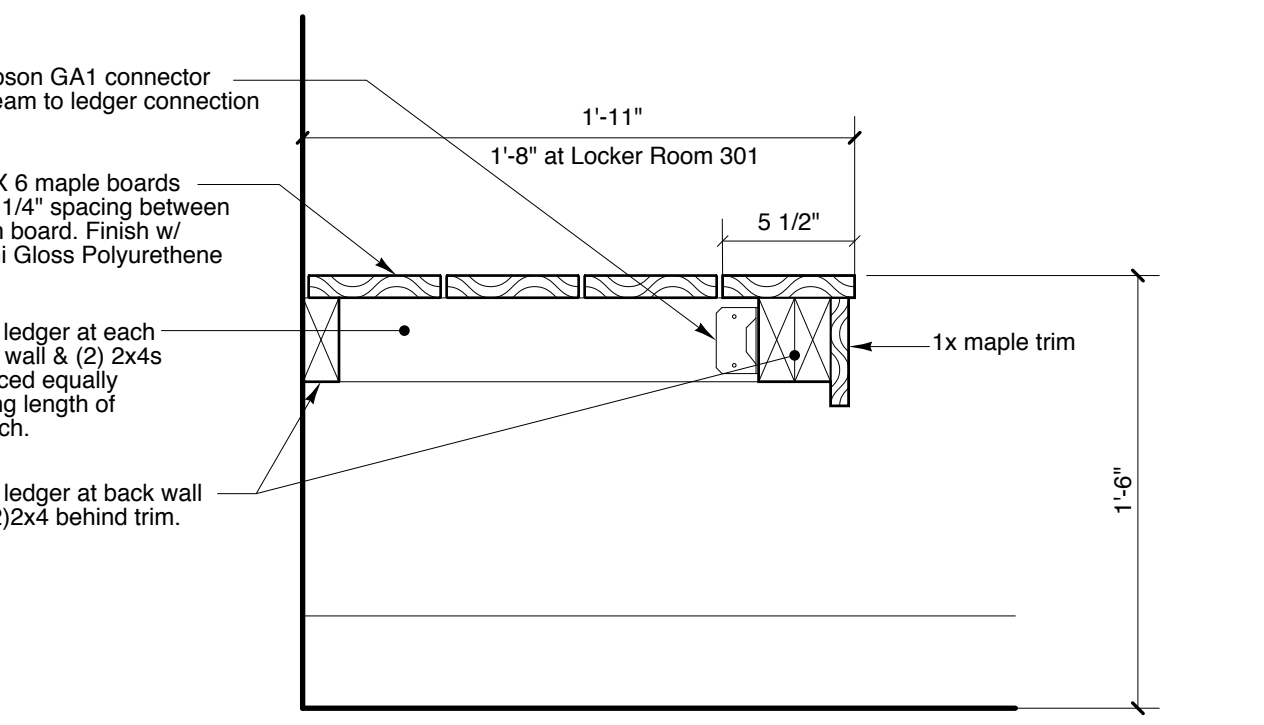
**1 Lavatory Detail**  
 1 1/2" = 1'-0"



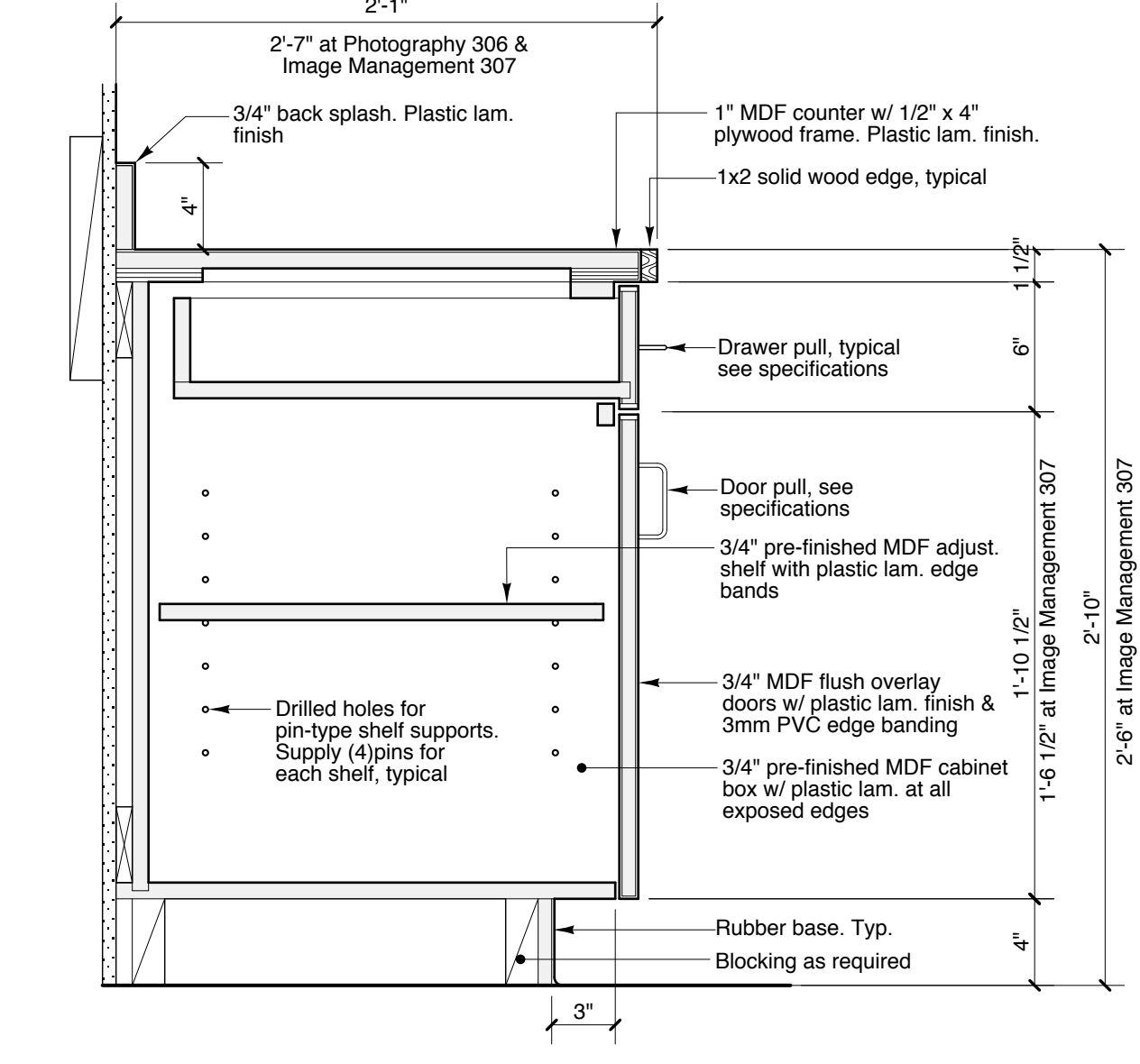
**11 Counter Edge Detail at Knee Space**  
 6" = 1'-0"



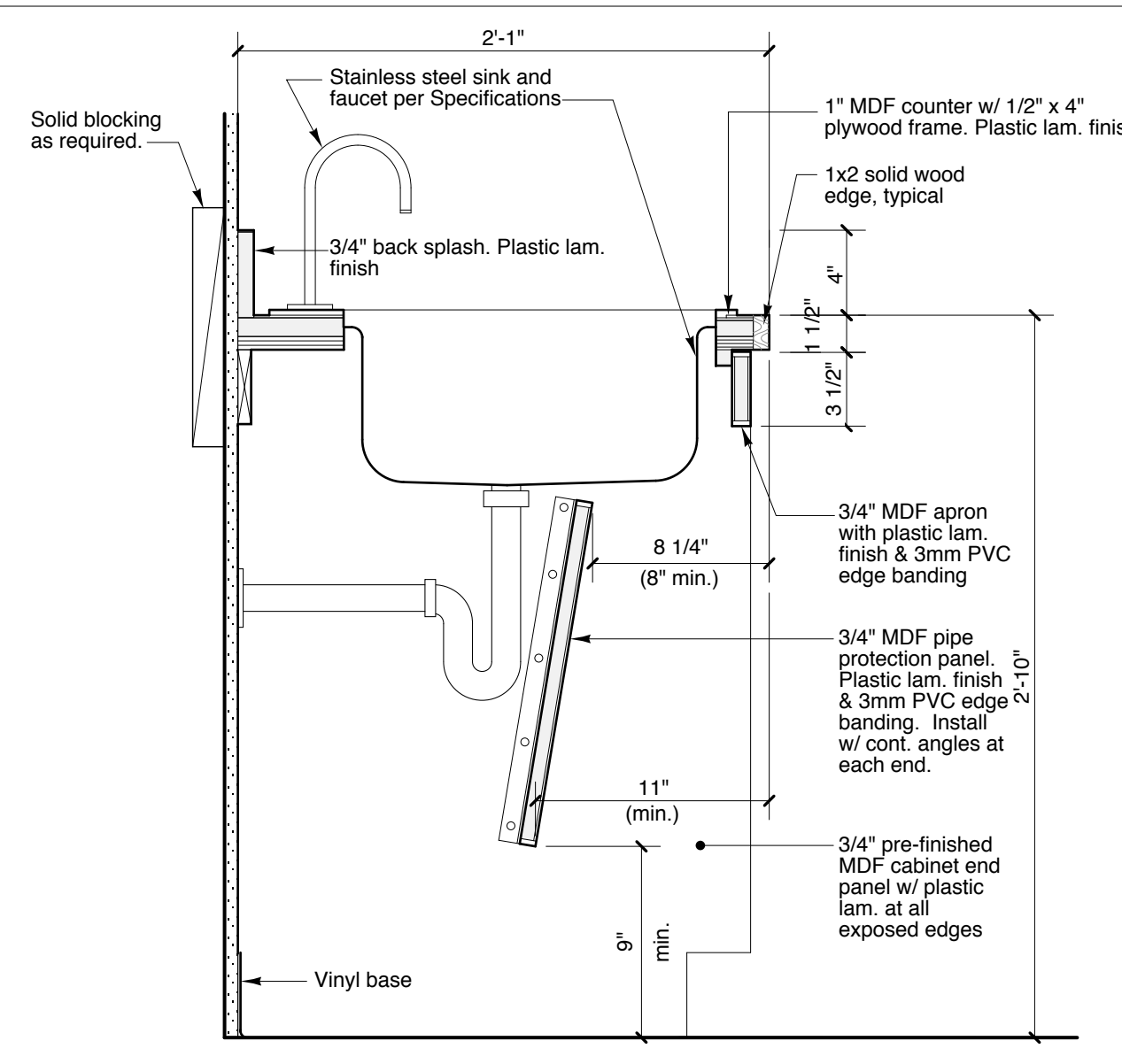
**12 Corner Counter Plan Detail**  
 1 1/2" = 1'-0"



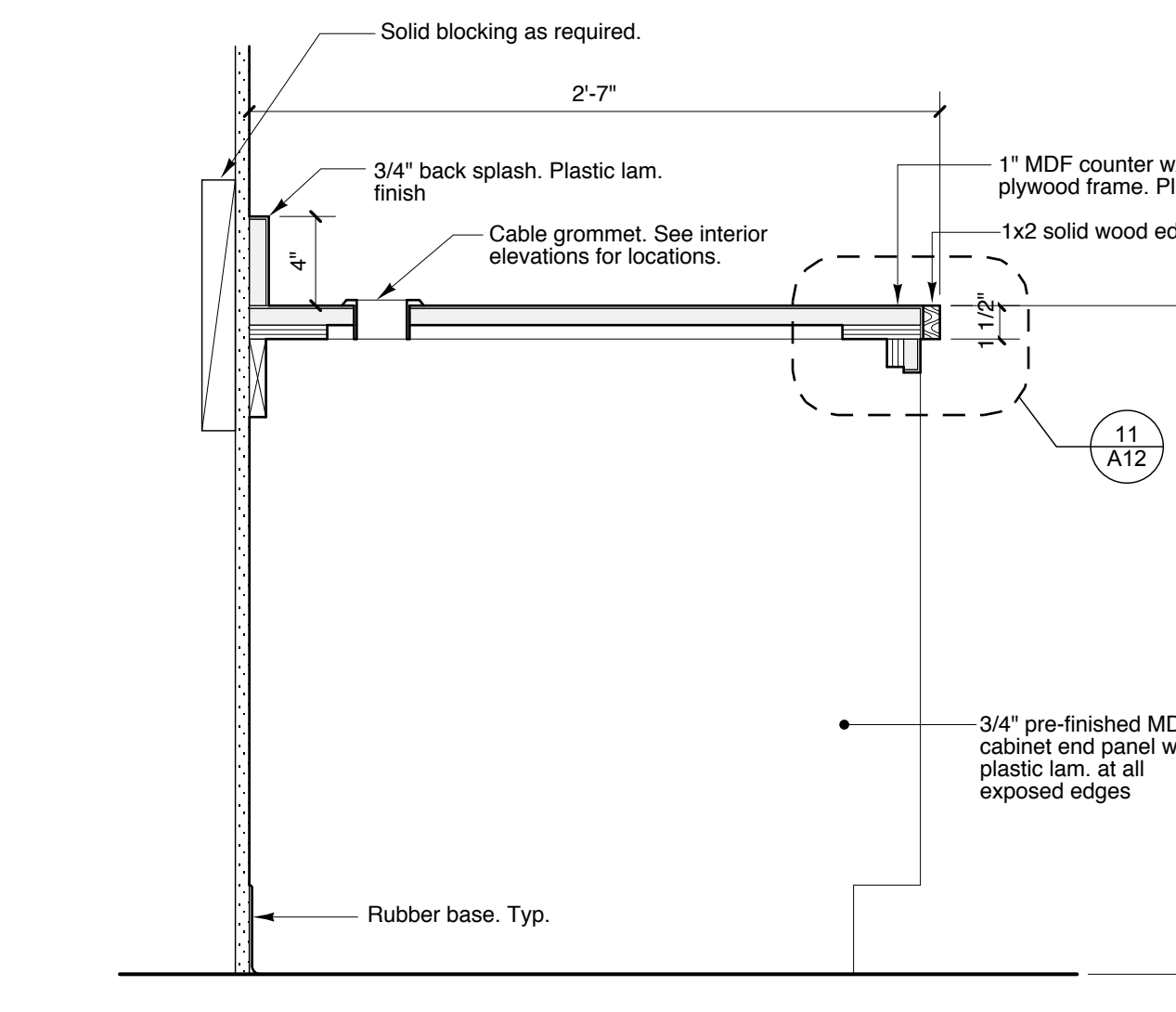
**2 Shower Bench Detail**  
 1 1/2" = 1'-0"



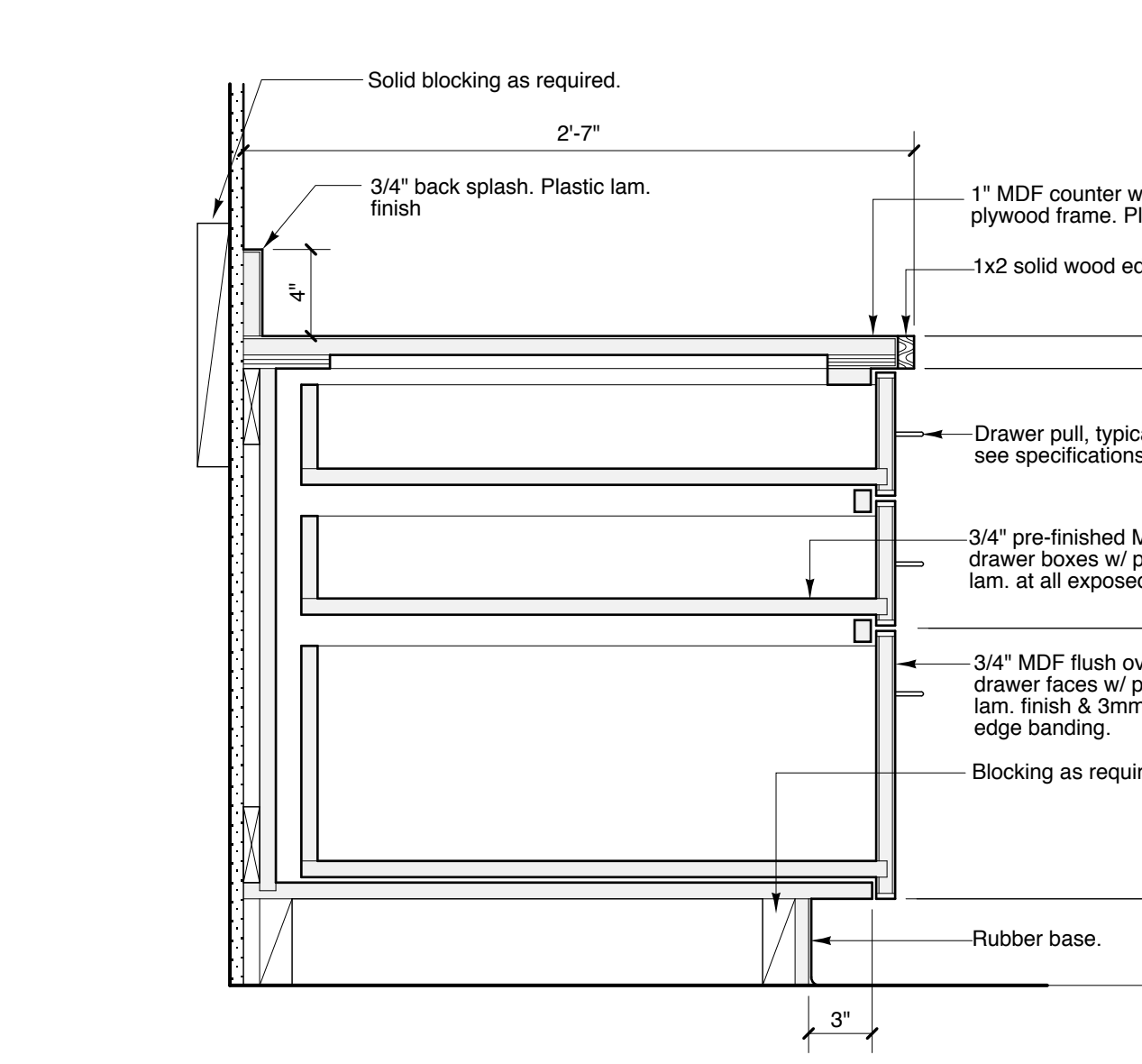
**4 Base & Upper Cabinet Detail**  
 1 1/2" = 1'-0"



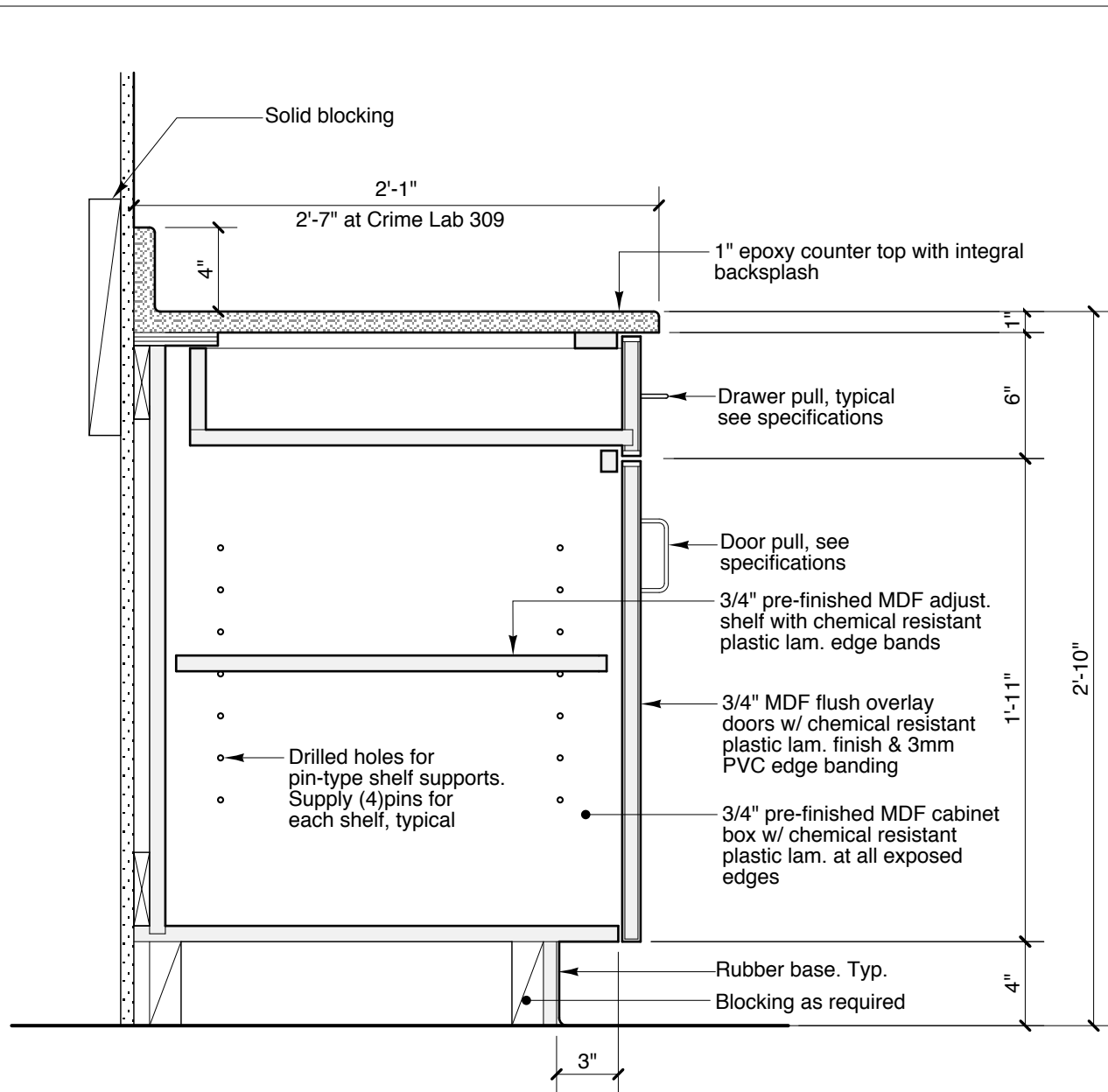
**5 Section Detail at Sink**  
 1 1/2" = 1'-0"



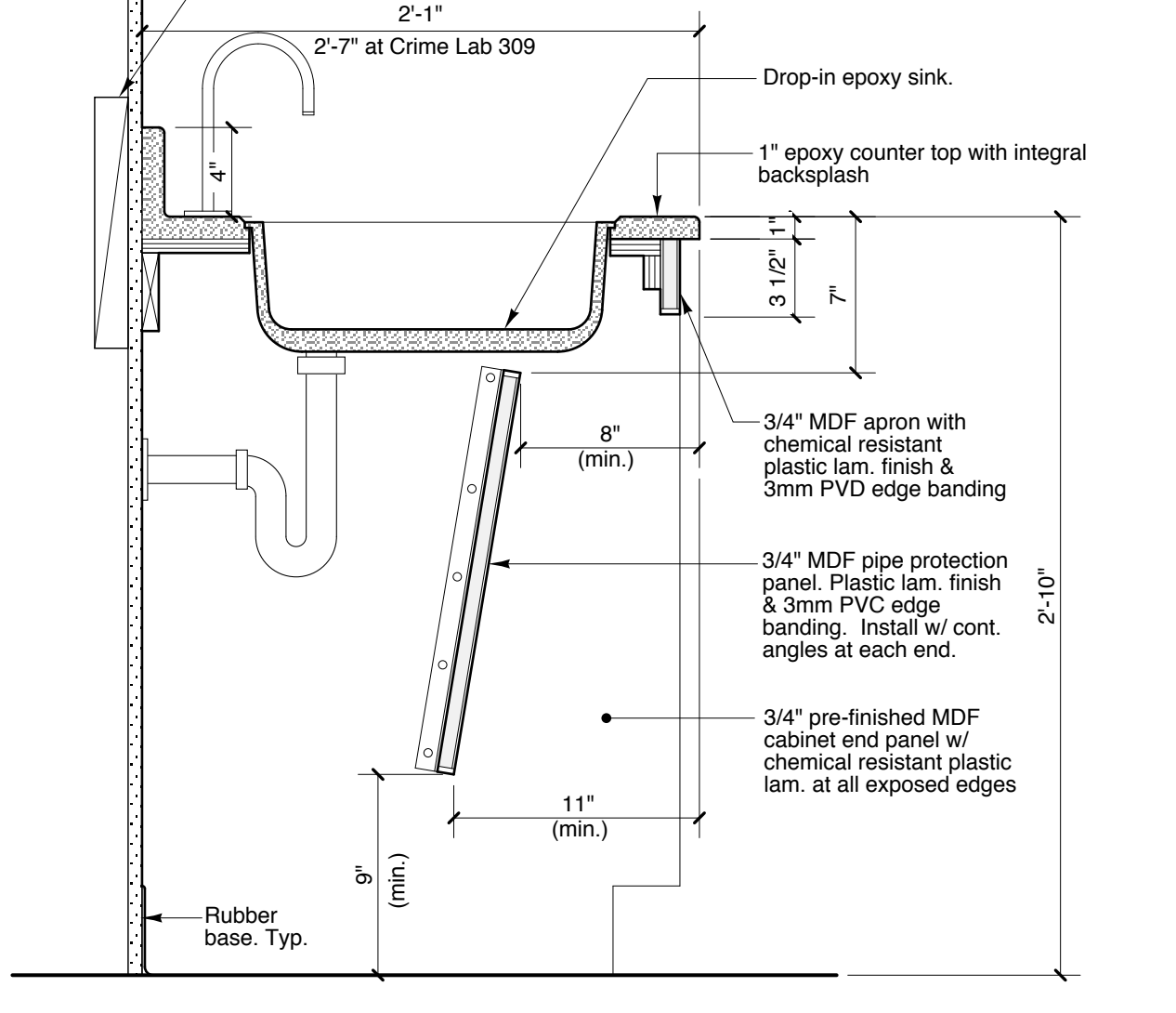
**6 Counter Detail at Knee Space**  
 1 1/2" = 1'-0"



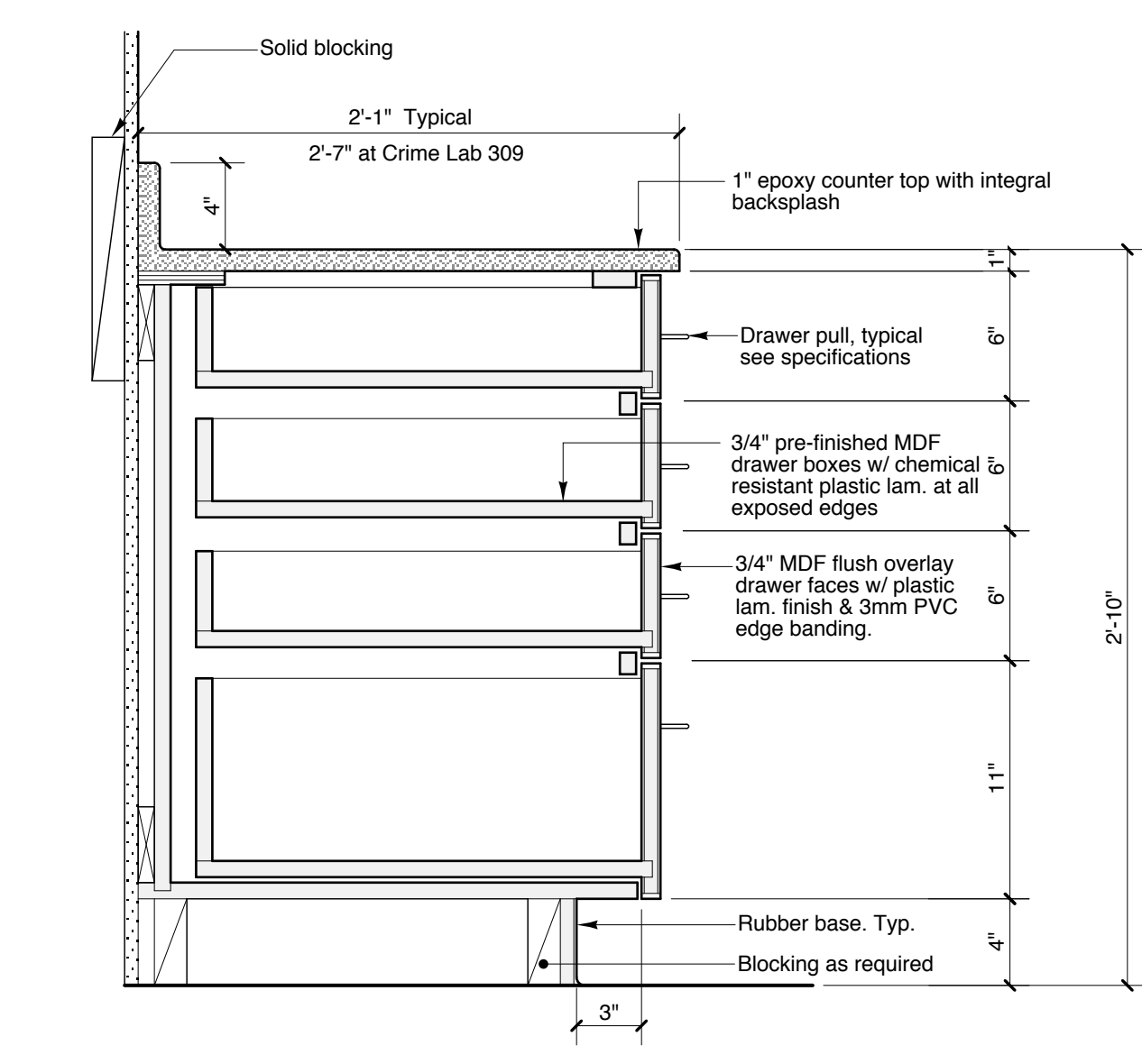
**7 File Cab. Dtl at Image Management 307**  
 1 1/2" = 1'-0"



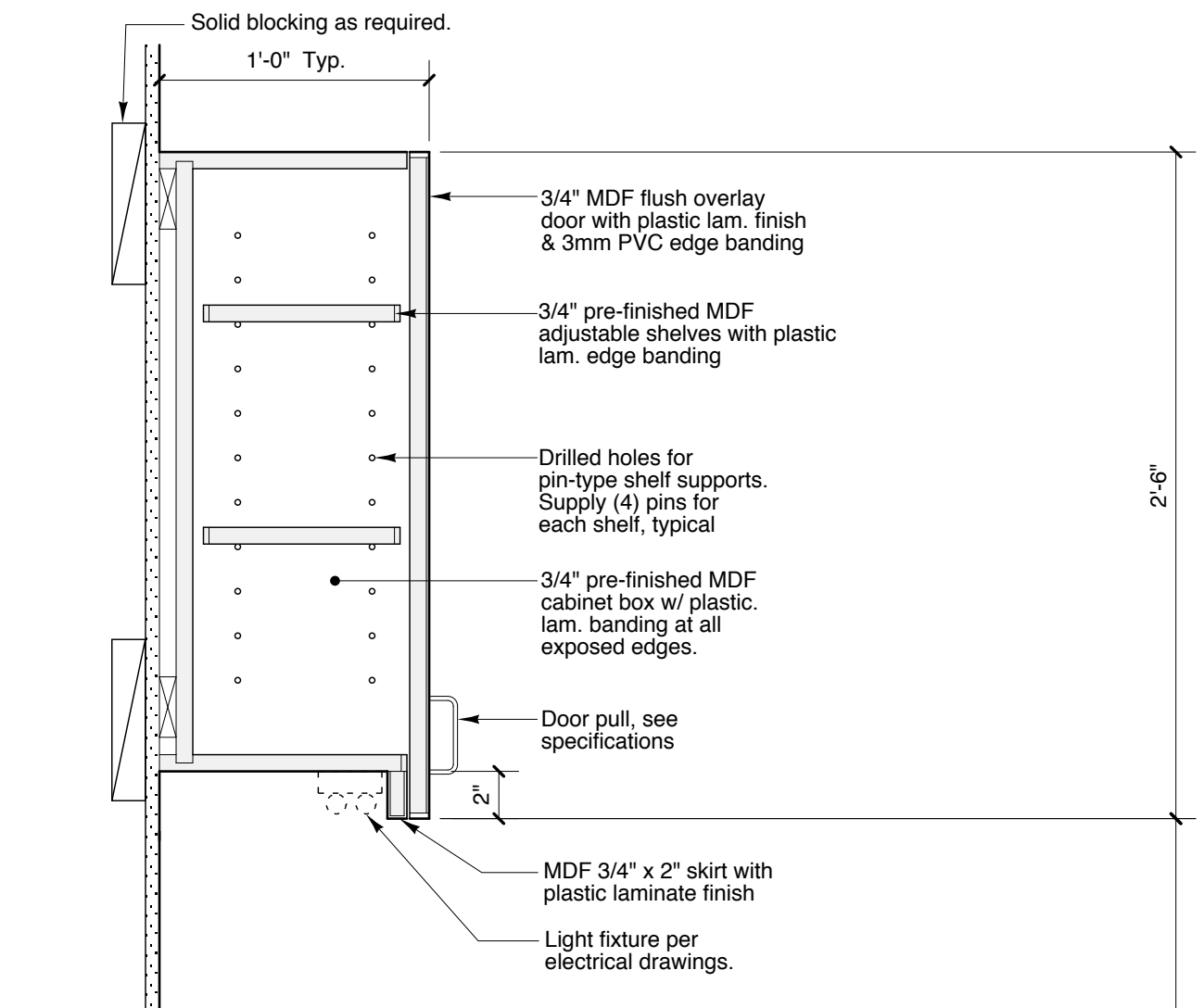
**8 Base Cab. Dtl at Epoxy Counter**  
 1 1/2" = 1'-0"



**9 Sink Detail at Epoxy Counter**  
 1 1/2" = 1'-0"



**10 Drawer Cab. Dtl at Epoxy Counter**  
 1 1/2" = 1'-0"



**3 Base Drawer & Upper Cabinet Detail**  
 1 1/2" = 1'-0"

NOTE: IN CRIME LAB AREA (ROOM 309 TO 309-H) ALL PLASTIC LAMINATE SHALL BE CHEMICAL RESISTANT.