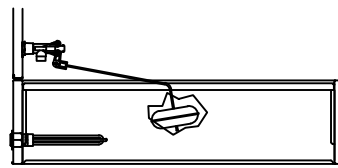
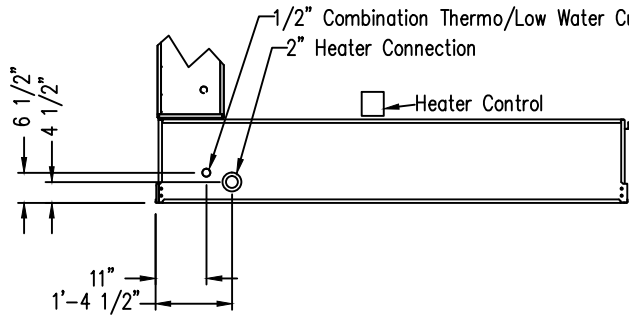
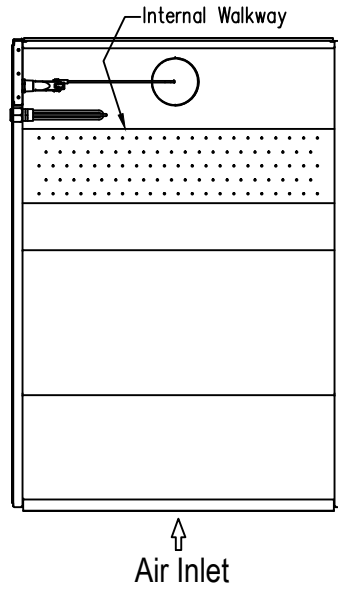


Notes



Air Inlet End

AMBIENT TEMPERATURE: 0 DEGREES F
 POWER (EACH): 4 KW
 VOLTAGE: 200V
 PHASE: 3
 FREQUENCY: 60HZ

ORDER NO: **U150762301**

DATE: **3/6/2015 1:26:53 PM**



**BALTIMORE
 AIRCOIL COMPANY**

8.5 X 6 Basin Accessories

DRAWING NUMBER:
BA-U150762301