

DISPLAY THIS CARD ON PRINCIPAL FRONTAGE OF WORK



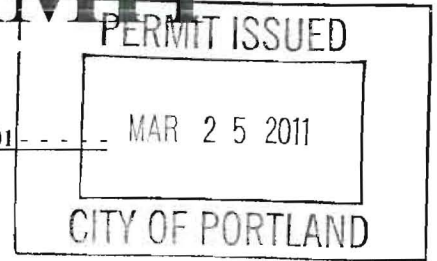
CITY OF PORTLAND BUILDING PERMIT

This is to certify that HOWELL REAL ESTATE LLC

Located At 75 PEARL

Job ID: 2011-03-532-ALTCOMM

CBL: 028 - - L - 005 - 001



has permission to Remodel ground floor for office furniture showroom including ADA ramp and bathroom provided that the person or persons, firm or corporation accepting this permit shall comply with all of the provisions of the Statues of Maine and of the Ordinances of the City of Portland regulating the construction, maintenance and use of the buildings and structures, and of the application on file in the department.

Notification of inspection and written permission procured before this building or part thereof is lathed or otherwise closed-in. 48 HOUR NOTICE IS REQUIRED.

A final inspection must be completed by owner before this building or part thereof is occupied. If a certificate of occupancy is required, it must be

Sub per B.W.

Fire Prevention Officer

James [Signature] 3/24/11

Code Enforcement Officer / Plan Reviewer

THIS CARD MUST BE POSTED ON THE STREET SIDE OF THE PROPERTY.

PENALTY FOR REMOVING THIS CAR

City of Portland, Maine - Building or Use Permit Application

389 Congress Street, 04101 Tel: (207) 874-8703, FAX: (207) 8716

PERMIT ISSUED
 MAR 25 2011
CITY OF PORTLAND

Job No: 2011-03-532-ALTCOMM	Date Applied: 3/2/2011	CBL: 028 - - L - 005 - 001 - - - - -	
Location of Construction: 75 PEARL ST	Owner Name: REAL ESTATE LLC HOWELL	Owner Address: 141 MIDDLE ST PORTLAND, ME - MAINE 04101	Phone:
Business Name:	Contractor Name: McDonald, David	Contractor Address:	Phone:
Lessee/Buyer's Name:	Phone:	Permit Type: BLDG - Building	Zone: B-3
Past Use: Photographic Studio	Proposed Use: Change of use to a showroom for "Creative Office Pavillion" to also mask interior renovations, (in PAD)	Cost of Work: 303,000.00	CEO District:
		Fire Dept: <input checked="" type="checkbox"/> Approved <i>w/conditions</i> <input type="checkbox"/> Denied <input type="checkbox"/> N/A	Inspection: Use Group: 3B Type: M JBC-2009
		Signature: <i>[Signature]</i> (58)	Signature: <i>[Signature]</i>
Proposed Project Description: 75 Pearl Street / Unit #1- change of use		Pedestrian Activities District (P.A.D.) WITHIN- meets PAD requirements	

Permit Taken By: <i>Gayle</i>	Zoning Approval		
1. This permit application does not preclude the Applicant(s) from meeting applicable State and Federal Rules. 2. Building Permits do not include plumbing, septic or electrical work. 3. Building permits are void if work is not started within six (6) months of the date of issuance. False informatin may invalidate a building permit and stop all work.	Special Zone or Reviews <input type="checkbox"/> Shoreland <input type="checkbox"/> Wetlands <input type="checkbox"/> Flood Zone <input type="checkbox"/> Subdivision <input type="checkbox"/> Site Plan _ Maj _ Min _ MM Date: <i>ok with requirements</i> <i>3/11/11</i>	Zoning Appeal <input type="checkbox"/> Variance <input type="checkbox"/> Miscellaneous <input type="checkbox"/> Conditional Use <input type="checkbox"/> Interpretation <input checked="" type="checkbox"/> Approved <input type="checkbox"/> Denied Date:	Historic Preservation <i>within</i> <input type="checkbox"/> Not in Dist or Landmark <input type="checkbox"/> Does not Require Review <input type="checkbox"/> Requires Review <input type="checkbox"/> Approved <input checked="" type="checkbox"/> Approved w/Conditions <input type="checkbox"/> Denied Date: <i>3/18/11</i> DA by <i>ABU</i>
	CERTIFICATION		

I hereby certify that I am the owner of record of the named property, or that the proposed work is authorized by the owner of record and that I have been authorized by the owner to make this application as his authorized agent and I agree to conform to all applicable laws of this jurisdiction. In addition, if a permit for work described in the appication is issued, I certify that the code official's authorized representative shall have the authority to enter all areas covered by such permit at any reasonable hour to enforce the provision of the code(s) applicable to such permit.

SIGNATURE OF APPLICANT	ADDRESS	DATE	PHONE
RESPONSIBLE PERSON IN CHARGE OF WORK, TITLE		DATE	PHON



PORTLAND MAINE

Strengthening a Remarkable City, Building a Community for Life • www.portlandmaine.gov

Director of Planning and Urban Development
Penny St. Louis

Job ID: 2011-03-532-ALTCOMM

Located At: 75 PEARL

CBL: 028 - - L - 005 - 001 - - - -

Conditions of Approval:

Zoning

1. Separate permits shall be required for any new signage.
2. This permit is being approved on the basis of plans submitted along with further conversations with business owner. Any deviations shall require a separate approval before starting that work.
3. ANY exterior work requires a separate review and approval thru Historic Preservation. This property is located within an Historic District.
4. This property shall remain retail/showroom on the first floor for Creative Office Pavillion. Any change of use shall require a separate permit application for review and approval.
5. This property is located in a Pedestrian Activities District (PAD) that limits first floor uses. The PAD uses are required to be retail-like for pedestrian interest. The property shall maintain open window displays to encourage such a use.

Historic

1. Rear vent not approved at this time. Staff to meet with architect and contractor to find acceptable solution that has minimal impact on historic structure.

Fire

2. This permit is being approved on the basis of the plans submitted. Any deviation from the plans would require amendments and approval.
3. All construction shall comply with City Code Chapter 10.
4. The Fire alarm and Sprinkler systems shall be reviewed by a licensed contractor[s] for code compliance. Compliance letters are required.
5. A separate Fire Alarm Permit is required for new systems; or for work effecting more than 5 fire alarm devices; or replacement of a fire alarm panel with a different model.
6. Fire Alarm system shall be maintained. If system is to be off line over 4 hours a fire watch shall be in place. Dispatch notification required 874-8576.
7. A separate Suppression System Permit is required for all new suppression systems or sprinkler work effecting more than 20 heads.
8. Sprinkler protection shall be maintained. Where the system is to be shut down for maintenance or repair, the system shall be checked at the end of each day to insure the system has been placed back in service.
9. Occupancies with an occupant load of 100 persons or more require panic hardware on all doors serving as a means of egress.
10. A Knox Box is required

11. Fire extinguishers are required. Installation per NFPA 10.
12. Emergency lights and exit signs are required. Emergency lights and exit signs are required to be labeled in relation to the panel and circuit and on the same circuit as the lighting for the area they serve.
13. All means of egress to remain accessible at all times.

Building

1. Application approval based upon information provided by applicant, including revisions received 3/24/11. Any deviation from approved plans requires separate review and approval prior to work.
2. All penetrations through rated assemblies must be protected by an approved firestop system installed in accordance with ASTM 814 or UL 1479, per IBC 2009 Section 713.
3. Separate permits are required for any electrical, plumbing, sprinkler, fire alarm, HVAC systems, heating appliances, including pellet/wood stoves, commercial hood exhaust systems and fuel tanks. Separate plans may need to be submitted for approval as a part of this process.
4. An engineer's letter is shall be submitted prior to the CO certifying the design for the structural shoring of the existing mezzanine girder.

Received ✓
ordered ✓ 66



General Building Permit Application

If you or the property owner owes real estate or personal property taxes or user charges on any property within the City, payment arrangements must be made before permits of any kind are accepted.

Mark Sinclair

Location/Address of Construction: <u>141 MARINE ST, 75 PEARLE STREET</u>		
Total Square Footage of Proposed Structure/Area <u>EXISTING Building N/A</u>	Square Footage of Lot	Number of Stories <u>5</u>
Tax Assessor's Chart, Block & Lot Chart# <u>028</u> Block# <u>L 005001</u> Lot#	Applicant *must be owner, Lessee or Buyer* Name <u>CREATIVE OFFICE PAVILION</u> Address <u>15 FRANKLIN ARTERIAL</u> City, State & Zip <u>PORTLAND, ME 04101</u>	Telephone: <u>207-775-7100</u>
Lessee/DBA (If Applicable) <u>SAME AS ABOVE</u> RECEIVED MAR - 2 2011	Owner (if different from Applicant) Name <u>SAME AS ABOVE</u> Address City, State & Zip	Cost Of Work: \$ <u>302,161.00</u> C of O Fee: \$ _____ Total Fee: \$ <u>3,050.00</u> <u>HP Admin 50.00</u>
Dept. of Building Inspections Current legal use (ie, single family) <u>COMMERCIAL/OFFICE</u> Number of Residential Units <u>N/A</u> If vacant, what was the previous use? Proposed Specific use: <u>OFFICE RETAIL / SHOW ROOM ^{meeting} OFFICE ^{furniture}</u> Is property part of a subdivision? _____ If yes, please name <u>WOODMAN Bld.</u> Project description: <u>REMOVAL OF GROUND FLOOR SPACE FOR USE BY CREATIVE OFFICE PAVILION</u>		
Contractor's name: <u>DLM CORP.</u> Address: <u>PO BOX 1798, PO 1711 CONGRESS ST.</u> City, State & Zip <u>PORTLAND, ME 04104</u> Telephone: <u>207-838-9271</u> Who should we contact when the permit is ready: <u>DAVID McDONALD</u> Telephone: <u>207-838-9271</u> Mailing address: <u>PO BOX 1798, PORTLAND, ME 04104</u> <u>Call Sign 1</u>		

Please submit all of the information outlined on the applicable Checklist. Failure to do so will result in the automatic denial of your permit.

In order to be sure the City fully understands the full scope of the project, the Planning and Development Department may request additional information prior to the issuance of a permit. For further information or to download copies of this form and other applications visit the Inspections Division on-line at www.portlandmaine.gov, or stop by the Inspections Division office, room 315 City Hall or call 874-8703.

I hereby certify that I am the Owner of record of the named property, or that the owner of record authorizes the proposed work and that I have been authorized by the owner to make this application as his/her authorized agent. I agree to conform to all applicable laws of this jurisdiction. In addition, if a permit for work described in this application is issued, I certify that the Code Official's authorized representative shall have the authority to enter all areas covered by this permit at any reasonable hour to enforce the provisions of the codes applicable to this permit.

Signature: David McDonald Date: 2-28-2011

This is not a permit; you may not commence ANY work until the permit is issued

BUILDING PERMIT INSPECTION PROCEDURES

Please call 874-8703 or 874-8693 (ONLY)

or email: buildinginspections@portlandmaine.gov

With the issuance of this permit, the owner, builder or their designee is required to provide adequate notice to the city of Portland Inspections Services for the following inspections. Appointments must be requested 48 to 72 hours in advance of the required inspection. The inspection date will need to be confirmed by this office.

- **Please read the conditions of approval that is attached to this permit!! Contact this office if you have any questions.**
 - **Permits expire in 6 months. If the project is not started or ceases for 6 months.**
 - **If the inspection requirements are not followed as stated below additional fees may be incurred due to the issuance of a "Stop Work Order" and subsequent release to continue.**
1. Close In Elec/Plmb/Framing
 2. Certificate of Occupancy Inspection including letter from engineer.

The project cannot move to the next phase prior to the required inspection and approval to continue, REGARDLESS OF THE NOTICE OF CIRCUMSTANCES.

IF THE PERMIT REQUIRES A CERTIFICATE OF OCCUPANCY, IT MUST BE PAID FOR AND ISSUED TO THE OWNER OR DESIGNEE BEFORE THE SPACE MAY BE OCCUOPIED.

3/2/11 come in

Job Summary Report
Job ID: 2011-03-532-ALTCOMM

Report generated on Mar 7, 2011 12:35:42 PM

Job Type: Adds/Alter Commercial **Job Description:** 75 Pearl Street / Unit #1 **Job Year:** 2011
Building Job Status Code: Initiate Plan Review **Pin Value:** 797 **Tenant Name:** Creative Office Pavilion
Job Application Date: **Public Building Flag:** N **Tenant Number:**
Estimated Value: 303,000 **Square Footage:**
Related Parties: REAL ESTATE HOWELL *Property Owner*
- David McDonald *GENERAL CONTRACTOR*

Job Charges

Fee Code Description	Charge Amount	Permit Charge Adjustment	Net Charge Amount	Payment Date	Receipt Number	Payment Amount	Payment Adjustment Amount	Net Payment Amount	Outstanding Balance
----------------------	---------------	--------------------------	-------------------	--------------	----------------	----------------	---------------------------	--------------------	---------------------

Location ID: 3856

Location Details

Alternate Id	Parcel Number	Census Tract	GIS X	GIS Y	GIS Z	GIS Reference	Longitude	Latitude
P24138	028 L 005 001		M				-70.253554	43.658688

Location Type	Subdivision Code	Subdivision Sub Code	Related Persons	Address(es)
1				75 PEARL STREET WEST

Location Use Code	Variance Code	Use Zone Code	Fire Zone Code	Inside Outside Code	District Code	General Location Code	Inspection Area Code	Jurisdiction Code
COMMERCIAL CONDOS		NOT APPLICABLE			Historic District		DISTRICT 2	CENTRAL BUSINESS DISTRICT

Structure Details

Structure: Loc id 00003855 Alt id 003394

Occupancy Type Code:

Structure Type Code	Structure Status Type	Square Footage	Estimated Value	Address
CONVERSION	6	0		75 PEARL STREET WEST

Longitude	Latitude	GIS X	GIS Y	GIS Z	GIS Reference	User Defined Property	Value
0	0	M					

Structure: remodel fground floor space for office

Occupancy Type Code:

in blue

within PAD & Historic

Job Summary Report
Job ID: 2011-03-532-ALTCOMM

Report generated on Mar 7, 2011 12:35:42 PM

Page 2

Structure Type Code	Structure Status Type	Square Footage	Estimated Value	Address			
Commerical Mixed Use	0		303000	75 PEARL STREET WEST			
Longitude	Latitude	GIS X	GIS Y	GIS Z	GIS Reference	User Defined Property	Value

Permit #: 20111682

Permit Data								
Location Id	Structure Description	Permit Status	Permit Description	Issue Date	Reissue Date	Expiration Date		
3856	Location Permit	Initialized	remodel ground floor for office furniture showroom					
Inspection Details								
Inspection Id	Inspection Type	Inspection Result Status	Inspection Status Date	Scheduled Start Timestamp	Result Status Date	Final Inspection Flag		
Fees Details								
Fee Code Description	Charge Amount	Permit Charge Adjustment	Permit Charge Adj Remark	Payment Date	Receipt Number	Payment Amount	Payment Adjustment Amount	Payment Adj Comment
Historic Review - Administrative	\$50.00							
Job Valuation Fees	\$3,050.00							

Fire Department requirements.

The following shall be submitted on a separate sheet:

- Name, address and phone number of applicant and the project architect.
- Proposed use of structure (NFPA and IBC classification)
- Square footage of proposed structure (total and per story)
- Existing and proposed fire protection of structure.
- Separate plans shall be submitted for
 - a) Suppression system
 - b) Detection System (separate permit is required)
- A separate Life Safety Plan must include:
 - a) Fire resistance ratings of all means of egress
 - b) Travel distance from most remote point to exit discharge
 - c) Location of any required fire extinguishers
 - d) Location of emergency lighting
 - e) Location of exit signs
 - f) NFPA 101 code summary
- Elevators shall be sized to fit an 80" x 24" stretcher.

For questions on Fire Department requirements call the Fire Prevention Officer at (207) 874-8405.

Please submit all of the information outlined in this application checklist. If the application is incomplete, the application may be refused.

In order to be sure the City fully understands the full scope of the project, the Planning and Development Department may request additional information prior to the issuance of a permit. For further information or to download copies of this form and other applications visit the Inspections Division on-line at www.portlandmaine.gov, or stop by the Inspections Division office, room 315 City Hall or call 874-8703.

Permit Fee: \$30.00 for the first \$1000.00 construction cost, \$10.00 per additional \$1000.00 cost

This is not a Permit; you may not commence any work until the Permit is issued.



Accessibility Building Code Certificate

Designer: WITPOLE CAVENDER ARCHITECTS

Address of Project: 141 MIDDLE ST.

Nature of Project: REMODEL OF GROUND FLOOR FOR
USE BY CREATIVE OFFICE PAVILION

The technical submissions covering the proposed construction work as described above have been designed in compliance with applicable referenced standards found in the Maine Human Rights Law and Federal Americans with Disability Act. Residential Buildings with 4 units or more must conform to the Federal Fair Housing Accessibility Standards. Please provide proof of compliance if applicable.



Signature: Joseph Witpole

Title: ARCHITECT

Firm: WITPOLE CAVENDER ARCHT.

Address: PO. BOX 1276

PORTLAND, ME 04104

Phone: 775-2696 X101

For more information or to download this form and other permit applications visit the Inspections Division on our website at www.portlandmaine.gov



Certificate of Design Application

From Designer:

JOSEPH A. DELANEY

Date:

2-24-2011

Job Name:

CREATIVE OFFICE PAVILION

Address of Construction:

141 MIDDLE ST.

2003 International Building Code

Construction project was designed to the building code criteria listed below:

Building Code & Year _____ Use Group Classification (s) _____

Type of Construction _____

Will the Structure have a Fire suppression system in Accordance with Section 903.3.1 of the 2003 IRC EXISTING

Is the Structure mixed use? NO If yes, separated or non separated or non separated (section 302.3) _____

Supervisory alarm System? YES Geotechnical/Soils report required? (See Section 1802.2) N/A

Structural Design Calculations

N/A Submitted for all structural members (106.1 - 106.11)

Design Loads on Construction Documents (1603)

Uniformly distributed floor live loads (7603.11, 1807)

Floor Area Use	Loads Shown
<u>NA</u>	

Wind loads (1603.1.4, 1609)

NA Design option utilized (1609.1.1, 1609.6)

_____ Basic wind speed (1809.3)

_____ Building category and wind importance Factor, w (table 1604.5, 1609.5)

_____ Wind exposure category (1609.4)

_____ Internal pressure coefficient (ASCE 7)

_____ Component and cladding pressures (1609.1.1, 1609.6.2.2)

_____ Main force wind pressures (7603.1.1, 1609.6.2.1)

Earth design data (1603.1.5, 1614-1623)

NA Design option utilized (1614.1)

_____ Seismic use group ("Category")

_____ Spectral response coefficients, S_L & S_D (1615.1)

_____ Site class (1615.1.5)

NONE Live load reduction

N/A Roof live loads (1603.1.2, 1607.11)

N/A Roof snow loads (1603.7.3, 1608)

N/A Ground snow load, P_g (1608.2)

_____ If $P_g > 10$ psf, flat-roof snow load P_f

_____ If $P_g > 10$ psf, snow exposure factor, C_e

_____ If $P_g > 10$ psf, snow load importance factor, I_s

_____ Roof thermal factor, C_t (1608.4)

_____ Sloped roof snowload, P_s (1608.4)

_____ Seismic design category (1616.3)

_____ Basic seismic force resisting system (1617.6.2)

_____ Response modification coefficient, R_d and deflection amplification factor C_d (1617.6.2)

_____ Analysis procedure (1616.6, 1617.5)

N/A Design base shear (1617.4, 1617.5.1)

Flood loads (1803.1.6, 1612)

N/A Flood Hazard area (1612.3)

_____ Elevation of structure

Other loads

_____ Concentrated loads (1607.4)

_____ Partition loads (1607.5)

_____ Misc. loads (Table 1607.8, 1607.6.1, 1607.7, 1607.12, 1607.13, 1610, 1611, 2404)



Certificate of Design

Date: 2/21/11

From: WHITTLE CALLENDER ARCHITECTS

These plans and / or specifications covering construction work on:
141 MIDDLE ST . GROUND FLOOR RENOV.

Have been designed and drawn up by the undersigned, a Maine registered Architect / Engineer according to the *2003 International Building Code* and local amendments.



Signature: Joseph A. Whittle
Title: ARCHITECT

Firm: WHITTLE CALLENDER ARCHIT.

Address: P.O. BOX 1276
PORTLAND ME 04104

Phone: 775-2696

For more information or to download this form and other permit applications visit the Inspections Division on our website at www.portlandmaine.gov

From: Joe Delaney <joe@whipplecallender.com>
To: Jeanie Bourke <JMB@portlandmaine.gov>, Dave Mc Donald <Dlmcop1@aol.com>
Date: 3/24/2011 10:49 AM
Subject: SK-1
Attachments: COP SK001.pdf

Hi Jeanie-

I think this SK describes the situation at the opening header at Creative Office Pavilion- please drop a line if you need more info.

Thanks-

Joe D.

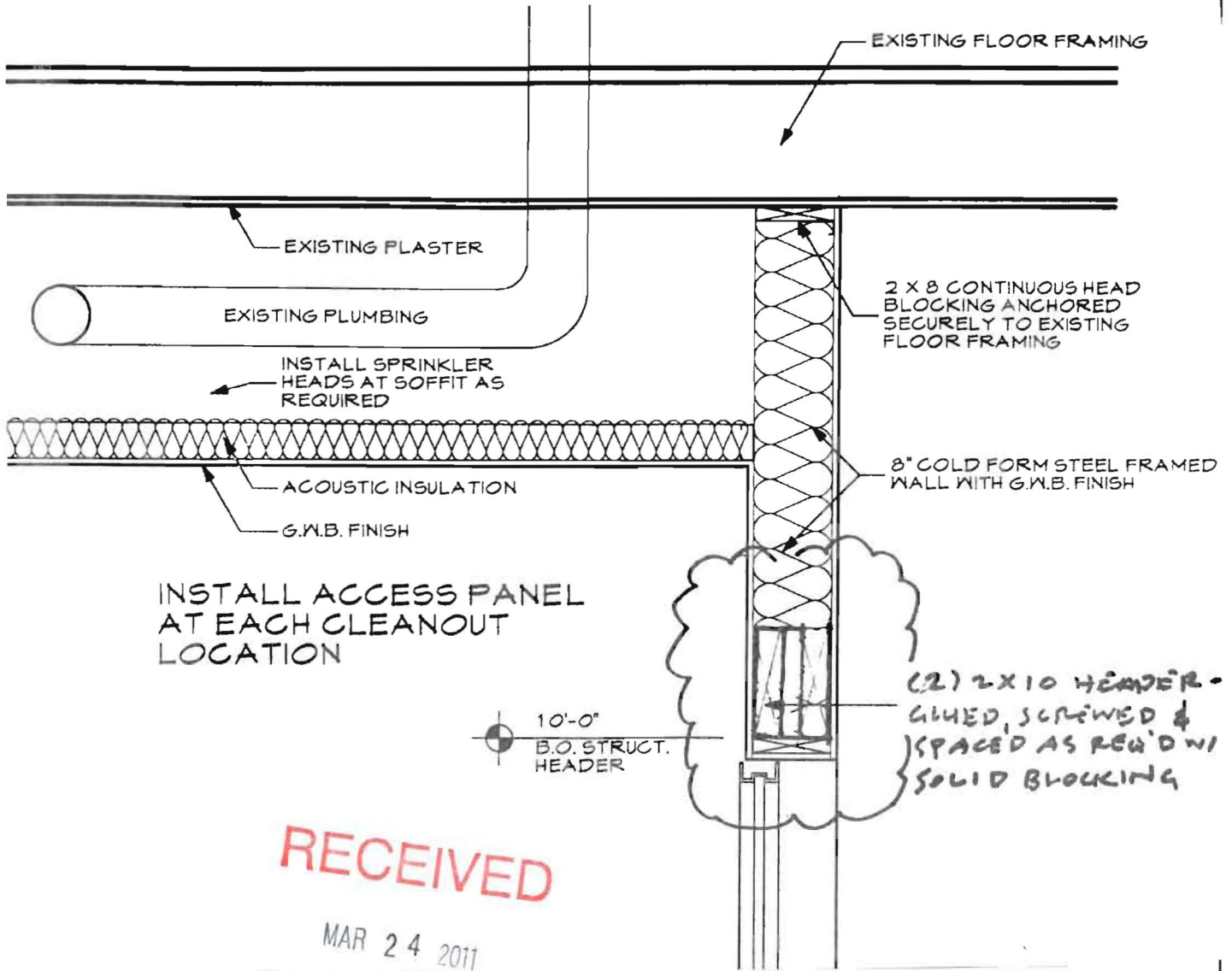
Joseph Delaney, RA, LEED AP
Whipple Callender Architects
19 Commercial Street
Portland, Maine 04101
(P) 775-2696
(F) 775-3631

RECEIVED
MAR 24 2011
Dept. of Building Inspections
City of Portland Maine

SK:1

JOB: CREATIVE OFFICE REVISION DATE: 3/16/11

SCALE: 3/4" = 1'-0"



RECEIVED

MAR 24 2011

Dept. of Building Inspections
City of Portland Maine

HEADER CONDITION &
MEETING RM. 4 WALL
DETAIL I-7 SHEET A1.2

FAX TO:

FAX #

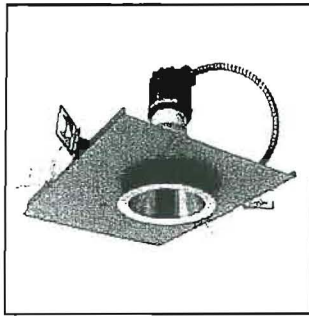
PAGES:

WHIPPLE-CALLENDER ARCHITECTS

19 COMMERCIAL ST. PORTLAND MAINE 04101 775-2696

CREATIVE OFFICE PAVILION
 Portland, Maine
 January 31, 2011

Type B1



Featuring VirtuWall Source Alzak Reflectors

**4" Vertical Incandescent
 Open & Wall Wash
 Downlight**
D4MED
 One 100W A19, 75W PAR16,
 50W PAR20, or 100W R20 Lamp.
 120V

DATE: _____ TYPE: _____
 FIRM NAME: _____
 PROJECT: _____



Ceiling Cutout: 5"
 Maximum Ceiling Thickness: 1 1/4"
 For conversion to millimeters,
 multiply inches by 25.4
 Not to Scale

APPLICATIONS:
 The Architektür D4 offers a nominal 4" specification-grade incandescent downlight and wall wash fixture that provides superior brightness control for a wide variety of applications including commercial, retail, and hospitality.

HOUSING:
 One-piece, 18-gauge post-painted CRS platform. Large plaster frame provides superior housing stability in the ceiling. Same housing accommodates open and wall wash reflectors. Prewired J-Box with snap-on cover for easy access. J-Box is elevated and angled 15° to provide 95% visibility from below the ceiling after installation for easy maintenance.

REFLECTOR:
 High purity aluminum reflector with Alzak finish. Open trims retained with 5-finger grip clips. Wall wash trims retained with integral leaf spring clips and can be rotated 360°. Self-trim standard. Virtual Source Lighting® optical design provides optimum efficiency and superior brightness control for

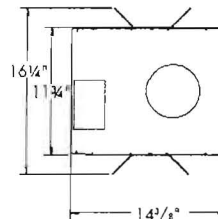
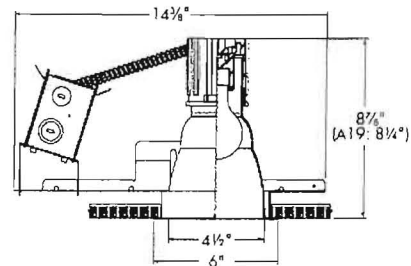
visual comfort. Wall wash reflectors feature patent-pending VirtuWall Source™ optics for superior wall washing. Baffled units standard with painted white self-flange.

LAMP:
 One (1) 100W A19, 75W PAR16, 50W PAR20 or 100W R20 lamp. Lamp furnished by others.

SOCKET:
 Medium base porcelain socket with nickel plated screw shell. Die cast aluminum heat sink socket cup with tool-less, positive-positioning, reflector-locking spring (patent pending).

INSTALLATION:
 Universal adjustable mounting brackets accommodate 1/2" EMT conduit; 1 1/2" or 3/4" lathing channels (by others); or Prescolite 24" bar hangers (B24 or B6).

LABELS:
 UL, CSA listed for damp locations
 Approved for through wiring.
 Thermally protected. Non-IC rated.



CATALOG NUMBER:

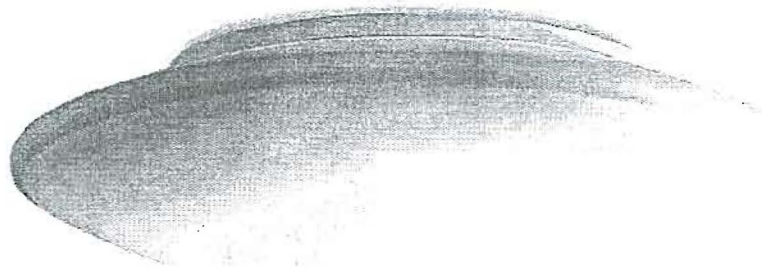
EXAMPLE: D4MED-4D2MFCPW-B24

HOUSING	HOUSING OPTION	REFLECTOR	REFLECTOR FINISH	REFLECTOR COLOR	REFLECTOR OPTIONS	ACCESSORIES
<input type="checkbox"/> D4MED 4", (1) 100W A19 4", (1) 75W PAR16 4", (1) 50W PAR20 4", (1) 100W R20	<input type="checkbox"/> 277V J-Box mounted step-down transformer <input type="checkbox"/> FSDFA Fuse kit installed at factory. <input type="checkbox"/> MWSOPAR16 Max wattage label, 50W PAR16 <input type="checkbox"/> MWSOPAR16 Max wattage label, 60W PAR16 <input type="checkbox"/> MWSOR20 Max wattage label, 50W R20 <input type="checkbox"/> MW75R20 Max wattage label, 75W R20 <input type="checkbox"/> MW75A19 Max wattage label, 75W A19 <input type="checkbox"/> CP Chicago Plenum	<input type="checkbox"/> 4D1 Open Alzak reflector <input type="checkbox"/> 4DB1 ^{1,4} Open baffle <input type="checkbox"/> 4D2 Open Alzak reflector <input type="checkbox"/> 4DB2 ^{1,4} Open baffle	<input type="checkbox"/> BLANK ⁷ Specular Alzak <input type="checkbox"/> 55 ⁷ Semi-Specular Alzak <input type="checkbox"/> MFC ⁹ American Made™ Alzak	<input type="checkbox"/> BLANK Clear Alzak <input type="checkbox"/> CG Champagne Gold Alzak <input type="checkbox"/> WE Wheat Alzak <input type="checkbox"/> LW Light Wheat Alzak <input type="checkbox"/> PW Pewter Alzak <input type="checkbox"/> BL ² Black Alzak (4D1, 4D2) Black Paint (4DB1, 4DB2) <input type="checkbox"/> WH White Paint (4DB1, 4DB2)	<input type="checkbox"/> TRG Trim ring gasket (factory installed) <input type="checkbox"/> WT Painted white self-flange <input type="checkbox"/> VWV ¹⁰ VirtuWall Source™ wall wash	<input type="checkbox"/> B24 Set of two (2) 24" bar hangers for T-bar ceilings <input type="checkbox"/> B6 Set of two (2) bar hangers for ceiling joists up to 24" centers <input type="checkbox"/> SCAS Sloped ceiling adapter for 4" housings. Specify degree of slope and type of ceiling. Sloped ceiling adapter and housing must be installed at the same time <input type="checkbox"/> FSDFI Fuse kit for field installation

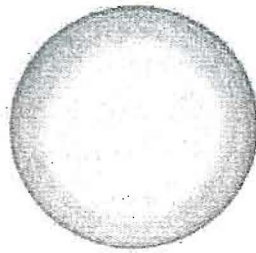
¹PAR16, PAR20, and R20 lamps only
²A19 lamps only.
³75W Max. on 4D2BL and 4DB2BL
⁴Specify black (BL) or white (WH) color only.
⁵Upper reflector with clear Alzak finish.
⁶4D2 only
⁷Available for reflectors only. Not available for wall wash.

C1

TRILogy



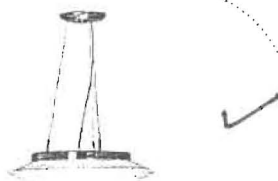
Trilogy luminaires provide interiors with a soft, diffused illumination. The hand blown, triple case glass shade ensures an even lit surface and the deep returns provide a halo, floating effect. The edge of the glass incorporates a defined lip which adds a further dimension to this classic, contemporary luminaire. Trilogy ceiling luminaires provide perfect companions for Trilogy pendants.



Ed

Ada

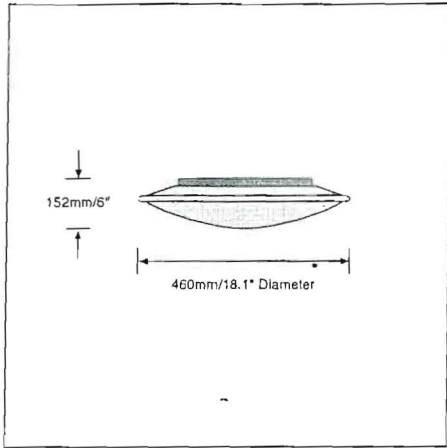
Trilogy
Companion
Products



Pendant Luminaires
Page 128

CI
TRILOGY

EP



A. SPECIFY LAMP CONFIGURATION/LUMINAIRE TYPE

Code:	Lamp type:	Weight:	Photometry:
63 2811	28W 2D	4.85Kg/10.7lb	File# 632811
63 3811	38W 2D	4.85Kg/10.7lb	File# 633811
63 5211	2 x 26W PL-C	4.85Kg/10.7lb	File# 635211

B. SPECIFY VOLTAGE

- 1 120V
- 2 277V
- 3 347V*

GENERAL SPECIFICATION

Body and trim: Steel and aluminum.

Finish: Back plate, powder coated gloss white.

Diffuser: Three ply satin opal glass.

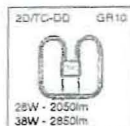
Ballasts: Luminaires supplied with HPF, high frequency electronic ballasts. *Check with factory for availability.

Luminaire orientation: Ceiling or wall mounted.

Mechanical: Luminaires mount directly to a junction box. Additional mounting positions also provided.

Approvals: UL, CSA.

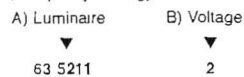
Ceiling



SPECIFICATION GUIDE

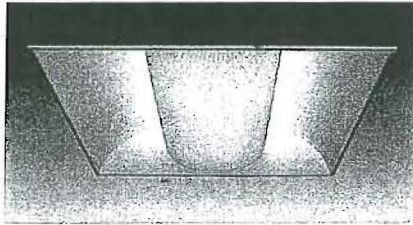
To specify a complete luminaire select: A) Luminaire and B) Voltage.

For example, to specify: Trilogy, 2 x 26W PL-C, 277V.



CREATIVE OFFICE PAVILION
 Portland, Maine
 January 31, 2011

Type J3



features

2'x2' recessed indirect with perforated center basket.

Reflector and end caps form seamless one-piece housing.

High reflectance, low gloss Matte White finish controls glare and provides high efficiency.

Perforated shield hinges open for quick and easy relamping.

Optional radial blade louver offers a distinct look that highlights interior architecture.

All luminaire combinations may be continuously row mounted.

Luna[®] provides high angle uniform distribution ideal for general illumination.

luminaire series		<u>FLU</u>
Luna	FLU	
nominal size		<u>22</u>
2' x 2'	22	
distribution		<u>B</u>
Bi-Directional	B	
lamp quantity		<u> </u>
Two Lamp	2	
→ Three Lamp	3	
lamp type		<u> </u>
40 Watt BiAx	BX40	
50 Watt BiAx	BX50	
55 Watt BiAx	BX55	
F31/T8U	T831	
(two lamp only)		
T8	T8	
(1 11/16" maximum grid height)		
T5	T5	
→ T5HO	T5HO	
ballast		<u> </u>
→ Electronic Instant Start <20% THD	E	
(BX40 & T8 only)		
Electronic Program Start <10% THD	S	
Electronic Dimming Ballast*	D	
voltage		<u> </u>
→ 120 Volt	120	
277 Volt	277	
347 Volt	347	
mounting		<u> </u>
Grid	G	
Slot Tee	ST	
→ Surface Mount	SM	
shielding		<u> </u>
Perforated Shield	PS	
→ Radial Blade Louver	RLP	
factory options		<u> </u>
Air Return	AR	
Chicago Plenum	CP	
Dust Cover	DC	
Drywall Frame Kit	DF	
(Cut out dimensions: Min: 24.25" / Max: 24.563")		

CREATIVE OFFICE PAVILION
 Portland, Maine
 January 31, 2011

Type N2/N3/N4
N2 = 12'-0" length
N3 = 16'-0" length
N4 = 8'-0" length



PLK CABLE MOUNT

1, 2, 3-Lamp T5, T5HO, T8, Direct/Indirect Distribution

[PLANK]

PROJECT INFORMATION

Project Name	Type
Catalog No.	Date

CONSTRUCTION

–Modular mounting points maintain convenient, predictable locations.
 –The exact shape of the housing is maintained by the use of a patented inner die-cast plate at each fixture end (Patent# 6,796,676 B2) throughout the run to prevent snaking. The housing is designed to wrap around the plate and secures on top with concealed screws to ensure housing tolerances are consistent.

FINISH

Housing and all painted parts are treated with a multi-stage phosphate prior to finish. Parts are then finished with a white powder coat for maximum consistent coverage and longevity. Other colors may be specified; refer to page MTX-1 or contact your local Alera Lighting representative.

SHIELDING

–White Cross Baffle with opal overlay (WCB)
 –White Cross Baffle- high efficiency without overlay (WCBS)
 –Regressed Perforated panel (RPF)
 –Flat Perforated panel (FPF)
 –Opal Acrylic lens (OA)
 –Acrylic Pattern 12 Lens (A12)

–Semi-specular parabolic louver (LD). For a dramatic touch, colored lensing material may be selected as an overlay; contact factory.

DISTRIBUTION

–The standard distribution-20-30% down light.
 –Our (CLC) Center Lamp Cover directs 100% of the center lamp light down.

MOUNTING

To maintain consistent, predictable mounting points, fixtures use an adjustable aircraft cable yoke mounting mechanism from two points at each hanging location.

LABELS AND ELECTRICAL

–UL 1598 or CLC labels.
 –Prewired with electronic T8, T5, or T5HO ballasts
 –Quick connect plugs standard
 –Damp label on most models

Name:	PLK-2TB-PERF-WCB-E
Test #:	13890
Efficiency:	92%
LER:	90

FEATURES

- Crisp shape with clean, elegant lines
- Direct/Indirect lighting elements
- Up to 3T8, T5 or T5HO lamps in cross section
- Heavy 20-gauge steel body
- Wide selection of flush or regressed shielding, baffles, and louvers
- Optional housing patterns available—perforated, slotted, or patterned strips on either side of shielding for added visual interest
- Control compatible for integral daylight harvesting, occupancy sensors, or dimming systems (small case size ballasts required)
- Low profile, adjustable cable mount hanging system
- Distribution covers can be used to customize % up/down light for classrooms and multi-purpose areas.
- Excellent for office and school applications

SHAPE AND DIMENSIONS



ORDERING INFORMATION

EXAMPLE: PLK-24-3T5HO-PFST-CM48-WCB-EPU-MW

PLK		CM		VOLTAGE		FINISH	
MODEL	DISTRIBUTION	MOUNTING METHOD	SUSPENSION LENGTH				
PLK Plant	Blank None	CM Adj. Aircraft Cable Mount (Std)	48 48" 96 96" Other (lenses available on request)	U 120V-277V 120 120V 277 277V 347 347V	MW Matte White (Std.) ZT ZET Metallic Silver See MTX-1 for other color selections.		
ROW LENGTH	LAMP TYPE AND PROFILE	HOUSING TYPE	SHIELDING	BALLAST		OPTIONS	
4 4' Single	1T5 One T5 Lamp	Blank Solid (Std.)	WCB White Cross Baffle	E Electronic, Instant Start (Std. for T8)	DC Dust Cover (T8 only)		LR Left/Right Switching (2-Lamp only)
8 8' Single	2T5 Two T5 Lamps	PFST Perforated Strip	RPF Regressed Perforated	EP Electronic, Programmed Start (Std. for T5 & T5HO, optional for T8)	IBOB Inboard/Outboard Switching (3-Lamp only)		EL One Emergency Battery Pack ^{2,3}
12 12' Single	3T5 Three T5 Lamps	HSLT Horizontal Slot Strip	FPF Flat Perforated	ED Electronic, Dimming (Music spec'y)	EMC One Emergency Circuit ⁴		NL Night Light Circuit ⁴
– Indicate row length over 8' 4" increments	1T5HO One T5HO Lamp	VSLT Vertical Slot Strip	OA Opal Acrylic Lens	ESD Electronic, Step Dimming	GLR Fast Blow Fuse		GMF Slow Blow Fuse
	2T5HO Two T5HO Lamps	CLD Custom Laser Cut Design Strip	A12 Pattern 12, 125" Thick Acrylic Lens	Unless specified, Alera will use fewest ballasts possible.		T8AR T-Bar Mounting	
	3T5HO Three T5HO Lamps		LD Low Intendant Semi-Specular Parabolic Louver			CSA UL listed or CSA certified for Canada	
	1T8 One T8 Lamp		WCBS White Cross Baffle-High Efficiency Without Overlay			DL Damp Label (Available on most models)	
	2T8 Two T8 Lamps						
	3T8 Three T8 Lamps						

¹ Includes .020 thick white overlay.
² Specify voltage. For additional, specify quantity before nomenclature (Example: ZET120).
³ Not available with all configurations; some limitations apply. Contact factory for details.
⁴ One extra feed drop per row with through wiring. (Standard is one 4ft lamp per circuit.)

Bartlett Design

LIGHTING & ELECTRICAL ENGINEERING

942 WASHINGTON STREET BATH, MAINE 04530

TEL (207) 443-5447 FAX (207) 443-5560

e-mail: bartlettdesigninc@comcast.net

CREATIVE OFFICE PAVILION

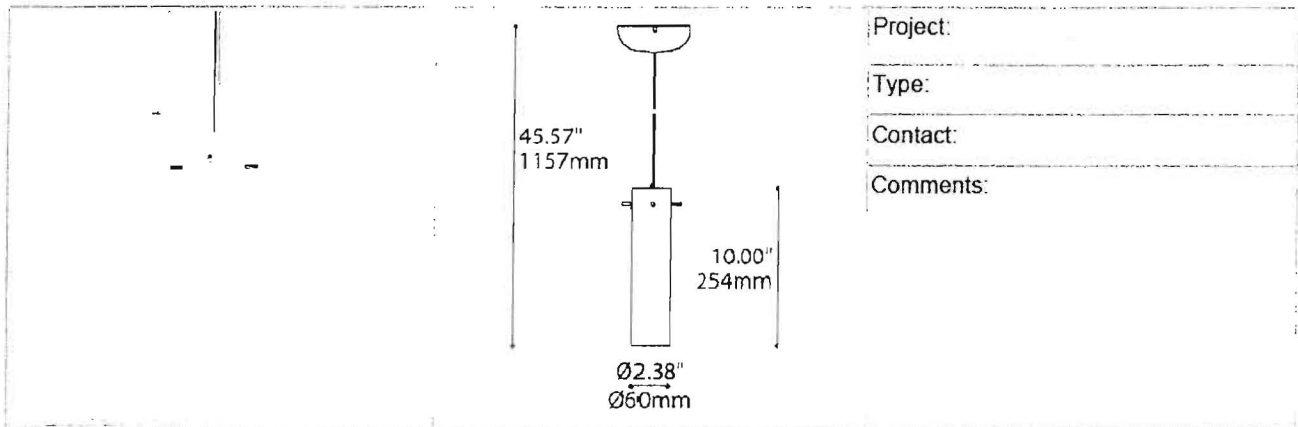
Portland, Maine

January 31, 2011

Type R1



SPEC SHEET



Project: _____

Type: _____

Contact: _____

Comments: _____

4034-WQ Silène

The Silène WQ pendant is available in both white and frosted finish. Available with Stem 6mm (1/4"); Field Adjustable fro BIPIN, INC or G9 and 10mm (3/8"); Not field cuttable fro FLUO and CMH or with an easy to install and adjustable aircraft cable mounting kit as well. Design Atmosphère.



OPTIONS SELECTED

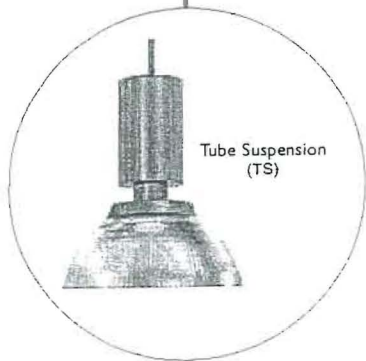
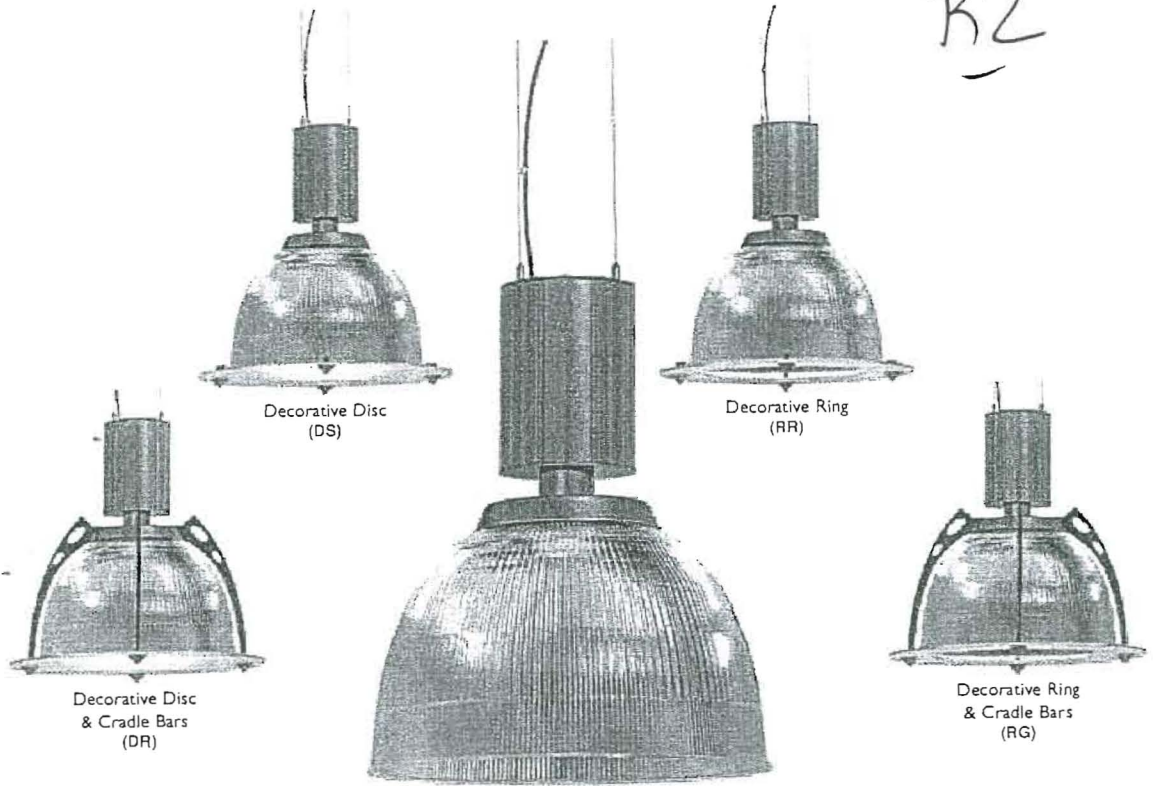
4034-WQ

PRODUCT OPTIONS

MODEL	STRUCTURE FINISH	MOUNTING	STEM / CABLE	DIFFUSER	LIGHT SOURCE
4034-WQ	BLK CHR S C ACB	FLUO ELEC 2402G FLUO MAG 2402G HAL 2401E 2450 2734 INC 2401C 2401E 2450 2734B MH 2402G	STEM FLUO ELEC 2805 FLUO MAG 2805 HAL 2801 INC 2801 MH 2805 CABLE FLUO ELEC 2818C FLUO MAG 2816C HAL 2816C INC 2816C MH 2816C	FRO WH	FLUO ELEC CF.D.13 COMP FL G24Q1 DOUBLE TWIN 13 W E 120-277V CF.D.13.347 COMP FL G24Q1 DOUBLE TWIN 13 W E 347V CF.D.18 COMP FL G24Q2 DOUBLE TWIN 18 W E 120-277V CF.D.18.347 COMP FL G24Q2 DOUBLE TWIN 18 W E 347V CF.D.26 COMP FL G24Q3 DOUBLE TWIN 26 W E 120-277V CF.D.26.347 COMP FL G24Q3 DOUBLE TWIN 26 W E 347V FLUO MAG CF.S.13 COMP FL GX23 TWIN 13 W M 120V HAL MR16C HAL LV G G4-G8.35 MR16C 50W E 120/12V INC G8 HAL G G8 60W 120V INC INC MED B10, HAL T10 100W 120V MH CMH.MR16.2D MH GX10 MR16 20W M158 E 120V CMH.MR16.2D.277 MH GX10 MR16 20W M158 E 277V

BELARO 22
REFRACTOR

R2



© 2008 Steve Whitaker

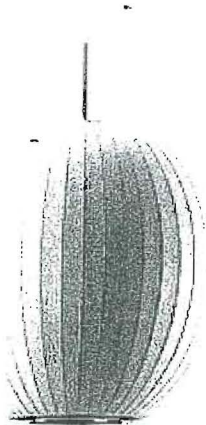
Dahlin Group Corporate Headquarters, Pleasanton, CA.
Architects: Dahlin Group, Pleasanton, CA.

Bartlett Design
LIGHTING & ELECTRICAL ENGINEERING
942 WASHINGTON STREET BATH, MAINE 04530
TEL (207) 443-5447 FAX (207) 443-5560
e-mail: bartlettdesigninc@comcast.net

CREATIVE OFFICE PAVILION
Portland, Maine
January 31, 2011

Type R3

NELSON BUBBLE LIGHTS



A mid-century classic, the Bubble Lamp was first designed by George Nelson in 1947 and was produced by Howard Miller starting in the early 1950s and ending in 1979. Our supplier has reissued the Nelson Bubble Lamps to the original specifications, using the original Herman Miller tooling. These famous lamps are part of the permanent collection of the Museum of Modern Art in New York.

Steel frame with polymer covering. Brushed nickel canopy. Each pendant comes with 6 feet of wire that can be field shortened.

Wattage: 150

Lamp Type: incandescent

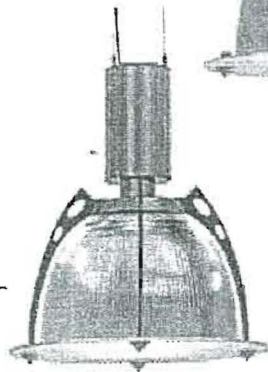
Listing: UL

One Small = 12" high by 12.75" diameter
One Medium = 15.5" high by 19" diameter
One Large = 23" high by 26.75" diameter



BELARO 16
REFRACTOR

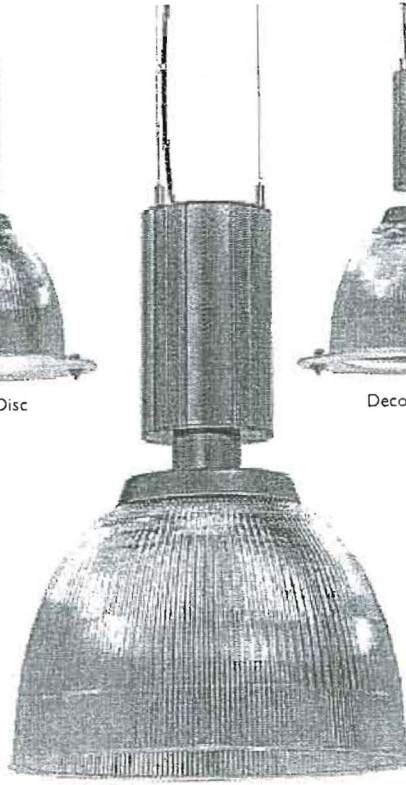
R4



Decorative Disc
& Cradle Bars
(DR)



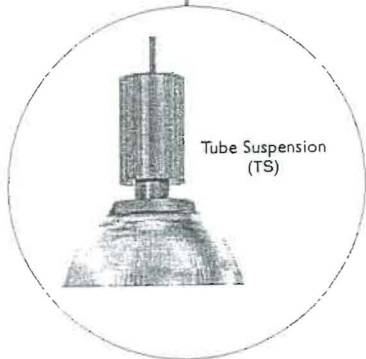
Decorative Disc
(DS)



Decorative Ring
(RR)



Decorative Ring
& Cradle Bars
(RG)



Tube Suspension
(TS)

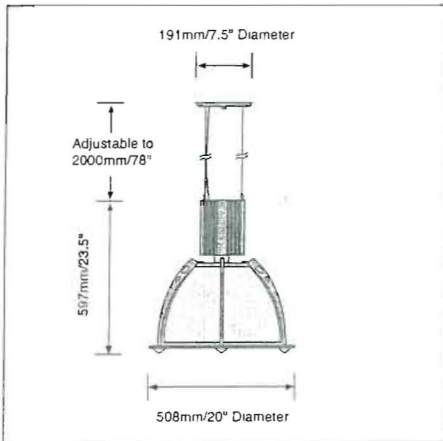
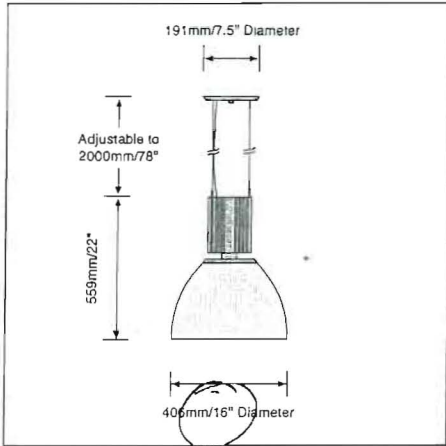


Belaro Refractor also available as a multi-arm luminaire. See Belaro Structure, Page 136.

R4

BELARO 16 REFRACTOR

R4



GENERAL SPECIFICATION

Body and trim: Steel and aluminum.

Finish: Powder coated metallic silver.

Suspension: Twin aircraft cables connected via a 'finger adjustable' levelling mechanism. No tools required. Optional single tube suspension.

Power cable: Silver braided.

Reflector/refractor: High temperature clear prismatic acrylic.

Decorative ring: 1/4"/6mm thick, green tint (faux glass), clear acrylic with a polished edge and an etched face.

Decorative disc: 1/4"/6mm thick glass with a polished edge and an etched face.

CFL lamp holders: 4pin (twist to lock) lamp holders.

Ballasts: Compact fluorescent luminaires supplied with HPF, high frequency electronic ballasts. Metal halide luminaires supplied with HPF, electronic ballasts. *Check with factory for availability.

****Emergency system:** Integral emergency option provides a 1.5 hour emergency lighting facility. The self contained system includes the inverter module, NiCad batteries, LED charge indicator and test switch. Not available with a 347V supply.

Mechanical: Luminaires mount directly to a junction box (not supplied).

Approvals: UL, CSA.

A. SPECIFY LAMP CONFIGURATION/LUMINAIRE TYPE

Code:	Lamp/luminaire type:	Weight:	Photometry:
20 1701	1 x 32/42W PL-T	7Kg/15lb	File# 201701
20 1702	2 x 32/42W PL-T	7Kg/15lb	File# 201702
20 1703	3 x 32/42W PL-T	7.2Kg/16lb	File# 201703
20 1709	4 x 32/42W PL-T	7.4Kg/16.3lb	File# 201709
20 1707	1 x 57W PL-T	7Kg/15lb	File# 201707
20 1704	1 x 70W MH/ED-17 (protected lamps only)	7.2Kg/16lb	File# 201704
20 1705	1 x 100W MH/ED-17 (protected lamps only)	7.2Kg/16lb	File# 201705
20 1706	1 x 150W MH/ED-17 (protected lamps only)	7.2Kg/16lb	File# 201706

B. SPECIFY VOLTAGE

- 1 120V
- 2 277V
- 3 347V*

C. SPECIFY OPTIONS

- DB Dimming ballasts* (PL-T lamps only)
- EM Integral emergency system** (Single PL-T lamps only, excluding 57W PL-T)
- DR Decorative disc (suspended by four cradle bars). Not available with 20 1709.
- DS Decorative disc (suspended by four spacers). Not available with 20 1709.
- RG Decorative ring (suspended by four cradle bars)
- RR Decorative ring (suspended by four spacers)
- WR White refractor
- TS1 18" Tube suspension
- TS2 24" Tube suspension
- TS3 30" Tube suspension
- TS4 36" Tube suspension

GLARE



SPECIFICATION GUIDE

To specify a luminaire select: A) Luminaire, B) Voltage and C) Options.

For example, to specify: Belaro, 1 x 32W PL-T, 277V, disc with spaces.

A) Luminaire B) Voltage C) Options
 ▼ ▼ ▼
 20 1701 2 DS

Pendants

CREATIVE OFFICE PAVILION
 Portland, Maine
 January 31, 2011

Type R5



PRIMA
Lighting

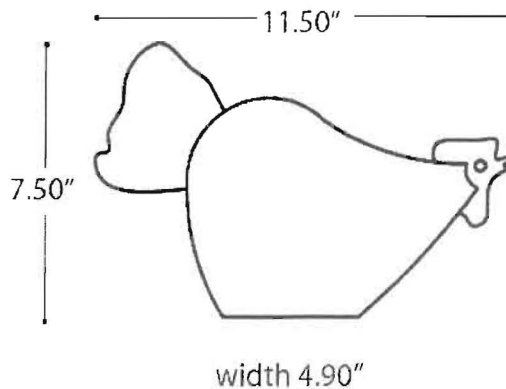
Signature

HEN 5407 Series
 Suspended Sculpted Glass Pendant

SYSTEM COMPATIBILITY

Prima FIT System	Prima Monorail System	Prima Cable System	Prima Monopoints & Multipoints

- Single lamp suspended luminaire with sculpted glass shade.
- Solid brass hardware with powder coat or metal plated finish.
- Suitable for decorative ambient applications.
- May be suspended by pendant cable only.
- Uses one 12 Volt Xelogen G4 lamp with a maximum wattage of 20W. Lamp is included. Use of lamps with a higher wattage or different type will void the warranty.



All Fixtures and lighting systems must be used with Prima transformer, driver, and/or ballast; or all warranties are void and complimentary lamps will not be supplied.

ITEM #	SYSTEM	HARDWARE	LAMP	SUSPENSION
5407	<input type="checkbox"/> 22-00 FIT System Adapter <input type="checkbox"/> 27 H Type Track Adapter <input type="checkbox"/> 28 J Type Track Adapter <input type="checkbox"/> 40-00 Monorail Adapter <input type="checkbox"/> 41-10 Cable Adapter (19" Wide) <input type="checkbox"/> 41-12 Cable Adapter (6" Wide) <input type="checkbox"/> 41-13 Cable Adapter (2.75" Wide) <input type="checkbox"/> 641 - 643 Monopoint Direct-mount <input type="checkbox"/> 65 - 69 Monopoint Canopy <input type="checkbox"/> 963 Monopoint Canopy <input type="checkbox"/> 71 - 74 Multipoint Canopy <input type="checkbox"/> 973 - 975 Multipoint Canopy <input type="checkbox"/> 982 - 983 Linear Multipoint Canopy <input type="checkbox"/> Custom	<input type="checkbox"/> Black <input type="checkbox"/> Bronze <input type="checkbox"/> Polished Chrome <input type="checkbox"/> Silver	<input type="checkbox"/> 20 Watt Xelogen G4 12V Included <input type="checkbox"/> 10 Watt Xelogen G4 12V	<input type="checkbox"/> 72" black cable * <input type="checkbox"/> 72" silver cable *
5407				

Bartlett Design

LIGHTING & ELECTRICAL ENGINEERING

942 WASHINGTON STREET BATH, MAINE 04530

TEL (207) 443-5447 FAX (207) 443-5560

e-mail: bartlettdesigninc@comcast.net

CREATIVE OFFICE PAVILION

Portland, Maine

January 31, 2011

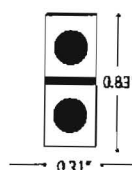
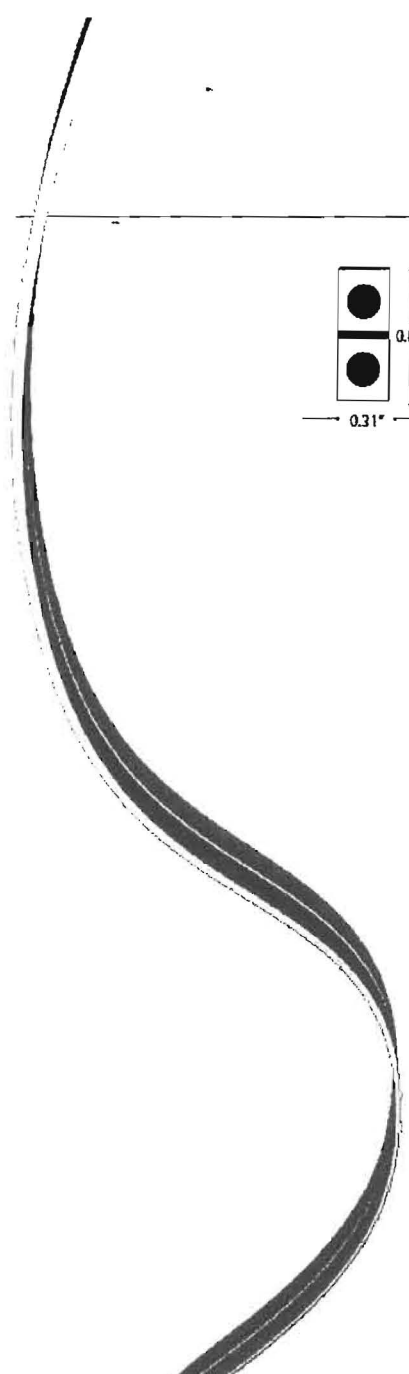
Type T1/T2/T3/T/T5

T1 = 50 ft., T2 = 12 ft., T3 = 10 ft., T4 = 24 ft., T5 = 6 ft.

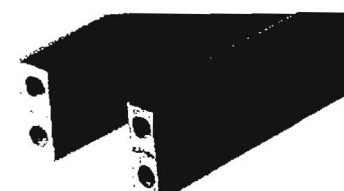
Prima Monorail is available in 48" and 96" straight lengths.

While Monorail can be cut and bent in the field, precise cutting and bending is available from the factory. Please consult your Prima Lighting representative for pricing and lead time information.

Rail lengths are shipped with two silicone end caps. Replacement caps are available for custom configurations.



Catalog No.	Description
10-4048-BC	48" monorail length - black chrome
10-4048-BZ	48" monorail length - bronze
10-4048-PC	48" monorail length - polished chrome
10-4048-SV	48" monorail length - silver
10-4096-BC	96" monorail length - black chrome
10-4096-BZ	96" monorail length - bronze
10-4096-PC	96" monorail length - polished chrome
10-4096-SV	96" monorail length - silver
10-4079-CP	79" monorail length - champagne (Special Made)

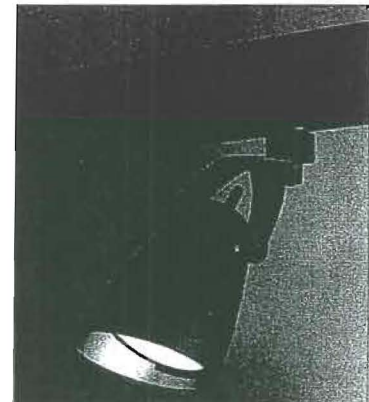


Catalog No.	Description
30-403-BK	Replacement set of two end caps - black

70320 cape II track head

Hardware Code Description

BK black
SV silver



When it is necessary to bend the Monorail in the field, the Prima Monorail bending tool makes it easy to apply a smooth and even curve to the rail.

Curves should be limited to a 12" minimum radius. Vertical bends should not be attempted.

Full circles, "S" shapes or any other curved shapes are easily accomplished with the Bending Tool.

Catalog No.	Description
30-400	Precision bending / shaping tool



12 In. Overall Suspension

AXALIS SQ

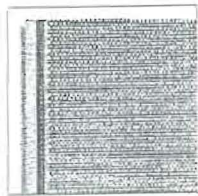
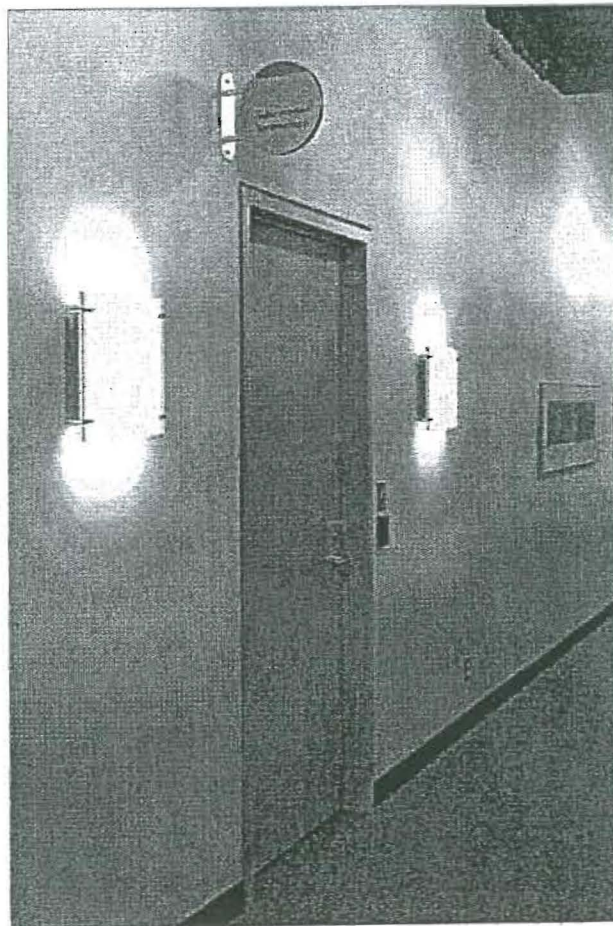
W2



70 1002/OP/1




70 1002/OP/1/TC




Opal with silver perforated mesh

Axalis SQ
Companion
Products



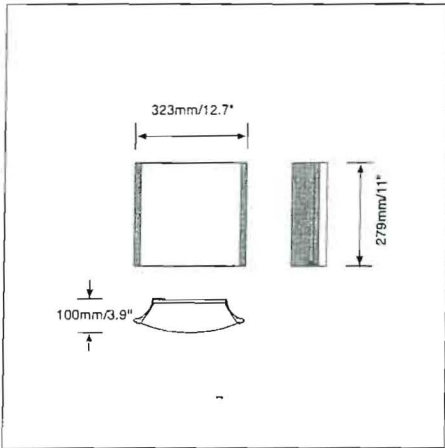
Pendant Luminaires
Page 58



Ceiling Luminaires
Page 290

W2

AXALIS SQ



GENERAL SPECIFICATION

Body and trim: Steel and extruded aluminum. Trim claws, die cast alloy.

Finish: Back plate, powder coated gloss white. Side trim, brushed aluminum. Trim claws, as listed.

Diffuser: Opal acrylic or opal acrylic with silver perforated mesh.

Dust covers: Clear polycarbonate.

Ballasts: Luminaires supplied with HPF, high frequency electronic ballasts. *Check with factory for availability.

Mechanical: Luminaires mount directly to a junction box. Additional mounting positions also provided.

****Integral emergency system:** Integral emergency luminaires provide a 1.5 hour emergency lighting facility. The self contained system is factory wired and includes the inverter module, NiCad batteries, red LED charge indicator and a test switch. Not available with a 347V supply.

Approvals: UL, CSA.

Luminaires meet 'Americans with Disabilities Act' requirements (ADA).

A. SPECIFY LAMP CONFIGURATION/LUMINAIRE TYPE

Code:	Lamp type:	Weight:	Photometry:
70 1002	1 x 18W PL-C	2Kg/4.4lb	File# 701002
70 1003	2 x 18W PL-C	2Kg/4.4lb	File# 701003
70 1004	1 x 26W PL-C	2Kg/4.4lb	File# 701004
70 1005	2 x 26W PL-C	2Kg/4.4lb	File# 701005

B. SPECIFY DIFFUSER

- OP Opal
- PM Opal with silver perforated mesh

C. SPECIFY VOLTAGE

- 1 120V
- 2 277V
- 3 347V*

D. SPECIFY OPTIONS

- OC Dust cover (opal)
- DB Dimming ballasts (single lamp luminaire only).
- EM Integral emergency system** (single lamp luminaires only)
- TM Trim claws, metallic silver
- TB Trim claws, black chrome
- TC Trim claws, polished chrome
- TP Trim claws, polished brass
- TS Trim claws, satin brass



SPECIFICATION GUIDE

To specify a complete luminaire select: A) Luminaire, B) Diffuser, C) Voltage and D) Options.

For example, to specify: Axalis, 2 x 26W PL-C, opal, 277V, polished chrome trim claws.

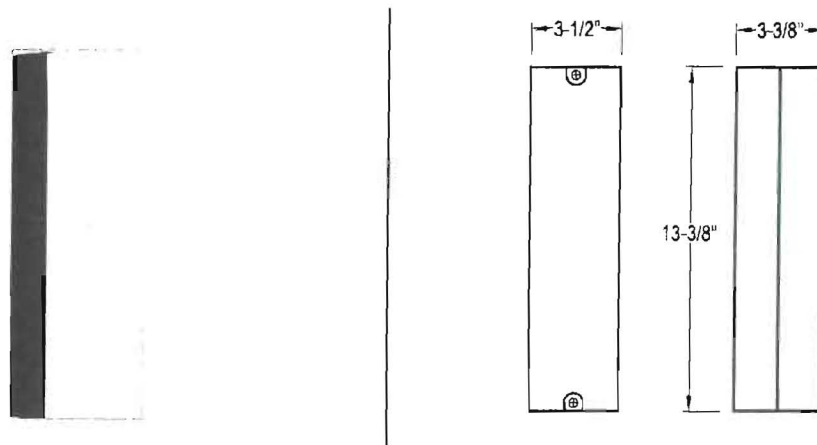
A) Luminaire B) Diffuser C) Voltage D) Options

▼ ▼ ▼ ▼
70 1005 OP 2 TC

Bartlett Design
LIGHTING & ELECTRICAL ENGINEERING
 942 WASHINGTON STREET BATH, MAINE 04530
 TEL (207) 443-5447 FAX (207) 443-5560
 e-mail: bartlettdesigninc@comcast.net

CREATIVE OFFICE PAVILION
 Portland, Maine
 January 31, 2011

Type W3



Light Source

Type	Twin Tube		Quad, Spiral or Triple			Triple	
Wattage	9	13	13	18	26	32	42
Quantity	2	1/2	2	1/2	1	1	-

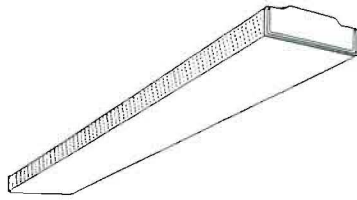
Standard Features

BASE	Injection Molded Polycarbonate Mounts to Electric Box with Center Nipple	FINISH	Specular Black	LENS	White Polycarbonate UV Stabilized Non Yellowing
LAMP	Twin, Quad, Spiral, and Triple - 2700K	TECHNOLOGY	Electronic Ballast Normal Power Factor 120V-60Hz AC UL Listed Wet Location		

Special options

Please Note: Standard Features May Change If Fixtures are Ordered with Special Option(s).

BALLAST	<input type="checkbox"/> DV 120/277 <input type="checkbox"/> EBD Dimmable <input type="checkbox"/> EMG Emergency <input type="checkbox"/> HPF High Power Factor <input type="checkbox"/> V 277 Volt	FINISH	<input type="checkbox"/> FW White	LENS	<input type="checkbox"/> CPP Clear Prismatic Polycarbonate
KELVIN	<input type="checkbox"/> 3000K <input type="checkbox"/> 3500K <input type="checkbox"/> 4100K	COMPLIANCE	<input type="checkbox"/> ES www.energystar.gov for Qualified Models		For Accessories and Adders See Catalog Page 79



FEATURES

- Clear acrylic prismatic diffuser. Hinges from either side. Flat bottom and vertical sides
- Linear side prisms control visual brightness and direct light onto adjacent ceiling area
- Injection molded decorative glow ends on diffuser baskets.
- Heavy gauge steel housing, die embossed for maximum rigidity
- Heat sink embossments and levelling projections allow direct mounting of HPF fixtures on combustible low density cellulose fiberboard ceilings

PROJECT INFORMATION

Project Name
WC4-232-EU
Catalog No.

W4
Type
Date

FINISH

All parts pre-painted with high gloss baked white enamel, minimum reflectance 86%, applied over iron phosphate pre-treatment for maximum adhesion and rust resistance.

BALLASTS

Energy efficient, thermally protected, automatic resetting, Class P, high power factor, sound rated A, unless otherwise specified. CEE NEMA Premium compliant.

ELECTRICAL

Standard class "P", thermally protected, auto-resetting HPF ballast, sound rated A. CEE NEMA Premium compliant. All ballast leads extend a minimum of 6" through access location. NEC/CEC-compliant ballast disconnect is standard.

SHIELDING

100% clear prismatic acrylic. 50% DR acrylic lens available as an option.

CERTIFICATION

All luminaires are built to UL 1598 standards and bear appropriate UL and cUL or CSA labels. Damp location labeling is standard. Emergency-equipped fixtures labeled UL 924.

*PENDENT
Wall Sconce*

ORDERING INFORMATION

EXAMPLE WC4-232-EU

WC	2				
MODEL	NO. OF LAMPS	LENS	VOLTAGE	OPTIONS	
WC 10" Wide Specification Grade Wraparound	2 Two	Blank Clear Prismatic Acrylic DR 50% DR content, Clear Prismatic Acrylic	U 120V-277V 347 347V	GLR Fast Blow Fuse	EL Emergency Battery Pack
				PAF Paint After Fabrication	NYC NYC Compliant
				NYCU NYC Compliant, Union Label	
SIZE	LAMP TYPE	BALLAST	ACCESSORIES (ORDER SEPARATELY)		
2 2'	14 2; T5: 14 Watt	E Electronic T8, Instant Start	ITB4 T-Bar Hanger		
4 4'	17 2; T8: 17 Watt	4E 4-Lamp Electronic T8, Instant Start	S18 18" Stem, Canopy		
8 8'	24 2; T5HO: 24 Watt	EP Electronic T5, T5HO, or T8, Programmed Start	SS18 18" Swivel Stem - 45° Swivel		
	28 4; T5: 28 Watt	4EP 4-Lamp Electronic T5 or T8, Programmed Start			
	32 4; T8: 32, 30, 28 or 25 Watt				
	54 4; T5HO: 54 or 51 Watt				

PHOTOMETRIC DATA

LUMINAIRE DATA

Luminaire	WC4-232
	10" x 48" White Painted Interior with Wraparound Prisms Lens
Ballast	B2321120RH
Ballast Factor	0.88
Lamp	FO32/31K
Lumens per Lamp	2900
Watts	59
Shielding Angle	N/A
Spacing Criterion	0° = 1.27 90° = 1.31
Luminous Opening in Feet	Length: 4.00 Width: 0.82 Height: 0.08

ZONAL LUMEN SUMMARY

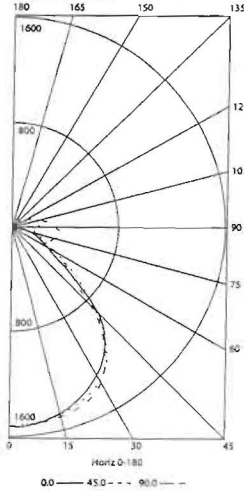
Zone	Lumens	% Lamp	% Fixt.
0-30	1208	20.8	27.1
0-40	1980	34.1	44.4
0-60	3114	53.7	69.8
0-90	3861	66.6	86.5
90-120	422	7.3	9.5
90-130	481	8.3	10.8
90-150	569	9.8	12.7
90-180	601	10.4	13.5
0-180	4463	76.9	100.0

Test L11152 Test Date 1/8/03

ENERGY DATA

Total Luminaire Efficiency	76.9%
Luminaire Efficacy Rating (LER)	67
IESNA RP-1-1993 Compliance	Non-Compliant
Comparative Yearly Lighting Energy Cost per 1000 Lumens	\$3.58 based on 3000 hrs. and \$0.08 per KWH

INDOOR CANDELA PLOT



AVG. LUMINANCE (Candela/Sq. M.)

Average Luminance Angle	0.0	22.5	45.0	67.5	90.0
0	4975	4975	4975	4975	4975
30	4870	4824	4885	4864	4900
40	4647	4522	4441	4292	4261
45	4222	4079	3839	3623	3577
50	3186	3399	3242	2826	2790
55	2308	2814	2675	2385	2451
60	1998	2382	2157	2178	2156
65	1869	2067	1891	2099	2029
70	1764	1830	1804	2224	2323
75	1699	1679	1829	2731	3114
80	1680	1780	2158	3781	4477
85	1532	1908	3244	5672	6551

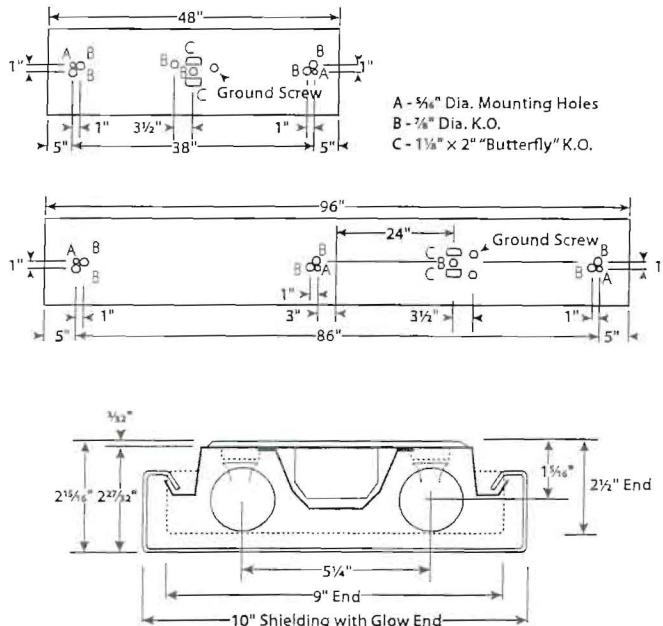
COEFFICIENTS OF UTILIZATION (%)

RCR	80				70				50				0			
	RW	70	50	30	10	70	50	30	10	50	30	10	0	30	10	0
1	81	77	74	71	78	74	71	69	69	67	65	65	55			
2	74	68	63	58	71	66	61	57	61	57	54	47				
3	68	60	54	49	65	58	53	48	54	50	46	40				
4	63	54	47	42	60	52	46	42	49	44	40	35				
5	58	48	42	37	55	47	41	36	44	39	35	31				
6	54	44	37	33	51	42	36	32	40	35	31	27				
7	50	40	33	29	48	39	33	28	37	31	28	24				
8	46	36	30	26	45	35	30	26	34	28	25	22				
9	43	33	27	23	42	33	27	23	31	26	22	20				
10	41	31	25	21	39	30	25	21	29	24	20	18				

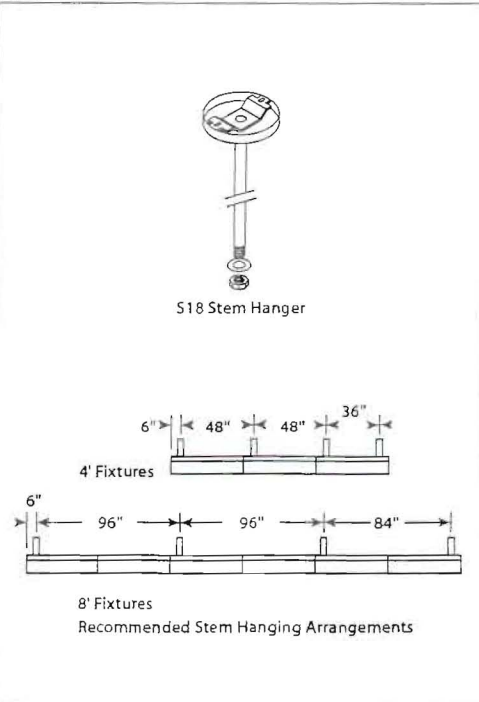
RCR = Room Cavity Ratio

RC = Effective Ceiling Cavity Reflectance RW = Wall Reflectance

DIMENSIONAL DATA



STEM MOUNTING



NOTE: All dimensions are in inches; dimensions and specifications are subject to change without notice. Please consult factory or check sample for verification.



ROCKINGHAM ELECTRICAL
35 DIAMOND STREET
PORTLAND, ME 04101



To: DLM CORP.

Project: CREATIVE OFFICE
 PAVILION

Attn: DAVE

Qty.	Type	Description	Lamp Type	Lps.	Price	UOM	Extension
14	B1	PRESCOLITE# D4MEDMW50PAR20	50PAR20/HAL/FL25	1	49.25	E \$	689.50
14	B1	PRESCOLITE# 4D1WT			43.94	E \$	615.16
7	B2	PRESCOLITE# D4MED	BC55BT15/HAL/CL	1	29.92	E \$	209.44
7	B2	PRESCOLITE# 4D2WW			64.52	E \$	451.64
7	C1	BETA# 63-5211	PL-C26W/41/4P/ALTO	2	358.96	E \$	2,512.72
14	C2	PRESCOLITE# CFSCB826EB WH	PL-C26W/41/4P/ALTO	2	210.33	E \$	2,944.62
14	C2	PRESCOLITE# STCB8CL			39.45	E \$	552.30
6	C3	ASL# HOR/1/26/27K/EB 11"	INCLUDED		85.38	E \$	512.28
3	C4	PANASONIC# FV-11VQL5	INCLUDED		142.92	E \$	428.76
-	C5	BETA# D15SD101AE	INCLUDED		2,617.89	E \$	-
-	C5	BETA# MEC1745AE			69.89	E \$	-
6	J1	EUREKA# 3700-18-CHR-WH-2XCF.L.24	PL-L24W/841/4P	2	407.97	E \$	2,447.82
1	J3	FOCAL POINT# FLU22-B-3T5HO-S-120-G-RLP-L841	INCLUDED		204.52	E \$	204.52
6	N2	ALERA# CVL-12-2T5HO-40/60-CM96-LD-EU-MW	F54T5/841/HO/ALTO	6	554.31	E \$	3,325.86
4	N4	ALERA# CVL-8-2T5HO-40/60-CM96-LD-EU-MW	F54T5/841/HO/ALTO	4	421.15	E \$	1,684.60
3	R1	EUREKA# 4034-WQ-BLK-2401E-2801-FRO-MR16C	50MR16Q/FL/LN 04596	1	156.36	E \$	469.08
17	R2	BETA# 20 2232-WR-DS	PL-T42W/41/4P/ALTO	6	792.36	E \$	13,470.12
12	R4	BETA# 20 1202-WR-DS	PL-T42W/41/4P/ALTO	2	494.10	E \$	5,929.20
	T2	(2) 12' STRAIGHT RUN					
2	T2	PRIMA# 10-4096-SV 8'			68.82	E \$	137.64
2	T2	PRIMA# 10-4048-SV 4'			34.41	E \$	68.82
2	T2	PRIMA# 30-422-SV CONDUCTIVE JOINER			15.05	E \$	30.10
6	T2	PRIMA# 30-4064-SV 12" STEM SUPPORTS			30.11	E \$	180.66
2	T2	PRIMA# 30-4184-SV 12" STEM PWR FEED W/PLATE			62.37	E \$	124.74
6	T2	PRIMA# 1622-SV-0"	INCLUDED		41.94	E \$	251.64
2	T2	PRIMA# 35-300-12 TRANSFORMER			139.78	E \$	279.56
		(1) 16' "L" RUN - LIVING ROOM					
2	TL	PRIMA# 10-4096-SV 8'			68.82	E \$	137.64
1	TL	PRIMA# 30-412 ANGLE CONNECTOR			34.41	E \$	34.41
6	TL	PRIMA# 30-4064-SV 12" STEM SUPPORTS			30.11	E \$	180.66
1	TL	PRIMA# 30-4184-SV 12" STEM PWR FEED W/PLATE			62.37	E \$	62.37
4	TL	PRIMA# 1622-SV-0"	INCLUDED		41.94	E \$	167.76
1	TL	PRIMA# 35-300-12 TRANSFORMER			139.78	E \$	139.78
	T4	(3) 24' STRAIGHT RUN					
9	T4	PRIMA# 10-4096-SV 8'			68.82	E \$	619.38
6	T4	PRIMA# 30-422-SV CONDUCTIVE JOINER			15.05	E \$	90.30
15	T4	PRIMA# 30-4064-SV 12" STEM SUPPORTS			30.11	E \$	451.65
3	T4	PRIMA# 30-4184-SV 12" STEM PWR FEED W/PLATE			62.37	E \$	187.11
12	T4	PRIMA# 1622-SV-0"	INCLUDED		41.94	E \$	503.28
3	T4	PRIMA# 35-300-12 TRANSFORMER			139.78	E \$	419.34
	TK	(1) 8' STRAIGHT RUN					
1	TK	PRIMA# 10-4096-SV 8'			68.82	E \$	68.82
3	TK	PRIMA# 30-4064-SV 12" STEM SUPPORTS			30.11	E \$	90.33

RECEIVED
 MAR 24 2011
 Dept. of Building Inspections
 City of Portland Maine

Quoted by Stephen Russell
 Ph: 207-772-4614
 Fx: 207-772-4180



ROCKINGHAM ELECTRICAL
35 DIAMOND STREET
PORTLAND, ME 04101



To: DLM CORP.

Project: CREATIVE OFFICE
PAVILION

Attn: DAVE

Qty.	Type	Description	Lamp Type	Lps.	Price	UOM	Extension
1	TK	PRIMA# 30-4184-SV 12" STEM PWR FEED			62.37	E \$	62.37
3	TK	PRIMA#40-00- 2348-CW-SV-SC	INCLUDED		196.77	E \$	590.31
1	TK	PRIMA# 35-300-12 TRANSFORMER			139.78	E \$	139.78
		(2) 16' CURVED RUNS					
4	TD	PRIMA# 10-4096-SV 8'			68.82	E \$	275.28
2	TD	PRIMA# 30-422-SV CONDUCTIVE JOINER			15.05	E \$	30.10
6	TD	PRIMA# 30-4064-SV 12" STEM SUPPORTS			30.11	E \$	180.66
2	TD	PRIMA# 30-4184-SV 12" STEM PWR FEED			62.37	E \$	124.74
8	TD	PRIMA# 1622-SV-0"	INCLUDED		41.94	E \$	335.52
2	TD	PRIMA# 35-300-12 TRANSFORMER			139.78	E \$	279.56
		(1) 32' CURVED RUN - MEZZANINE					
4	TM	PRIMA# 10-4096-SV 8'			68.82	E \$	275.28
3	TM	PRIMA# 30-422-SV CONDUCTIVE JOINER			15.05	E \$	45.15
12	TM	PRIMA# 30-4064-SV 12" STEM SUPPORTS			30.11	E \$	361.32
1	TM	PRIMA# 30-4184-SV 12" STEM PWR FEED			62.37	E \$	62.37
6	TM	PRIMA# 1622-SV-0"	INCLUDED		41.94	E \$	251.64
1	TM	PRIMA# 35-300-12 TRANSFORMER			139.78	E \$	139.78
		(1) 32' CIRCLE RUN - COUCH					
4	TC	PRIMA# 10-4096-SV 8'			68.82	E \$	275.28
3	TC	PRIMA# 30-422-SV CONDUCTIVE JOINER			15.05	E \$	45.15
12	TC	PRIMA# 30-4064-SV 12" STEM SUPPORTS			30.11	E \$	361.32
1	TC	PRIMA# 30-4184-SV 12" STEM PWR FEED			62.37	E \$	62.37
1	TC	PRIMA# 1622-SV-6	INCLUDED		43.01	E \$	43.01
1	TC	PRIMA# 1622-SV-12	INCLUDED		45.16	E \$	45.16
1	TC	PRIMA# 1622-SV-18	INCLUDED		47.31	E \$	47.31
1	TC	PRIMA# 1622-SV-24	INCLUDED		48.39	E \$	48.39
1	TC	PRIMA# 1622-SV-30	INCLUDED		50.54	E \$	50.54
1	TC	PRIMA# 35-300-12 TRANSFORMER			139.78	E \$	139.78
3	W2	BETA# 70 1005-OP-1	PL-C26W/41/4P/ALTO	2	252.51	E \$	757.53
3	W4	FORECAST# F5303-36	INCLUDED		187.10	E \$	561.30
9	W4	FORECAST# F5321			20.43	E \$	183.87
3	W5	COLUMBIA# CN4-128-EPU	F28T5/841/ALTO	1	88.58	E \$	265.74
3	W5	COLUMBIA# CNR4			24.77	E \$	74.31
2	W6	COLUMBIA# CN4-128-EPU	F28T5/841/ALTO	1	88.58	E \$	177.16
2	W6	COLUMBIA# CNR4			24.77	E \$	49.54
-	X1	DUALLITE# LXURWE	INCLUDED		29.89	E \$	-
1	T1-T4	PRIMA# 30-400 TRACK BENDER			90.00	E \$	90.00
LOT TOTAL =						\$	47,105.23

LAMPS ARE INCLUDED IN LOT TOTAL.
PLUS FREIGHT ON ASL, EUREKA,
FOCALPOINT, & FORECAST.

Quoted by Stephen Russell
Ph: 207-772-4614
Fx: 207-772-4180



ROCKINGHAM ELECTRICAL
35 DIAMOND STREET
PORTLAND, ME 04101



To: DLM CORP.

Project: CREATIVE OFFICE
PAVILION

Attn: DAVE

Qty.	Type	Description	Lamp Type	Lps.	Price	UOM	Extension
------	------	-------------	-----------	------	-------	-----	-----------

Quoted by Stephen Russell

Ph: 207-772-4614

Fx: 207-772-4180