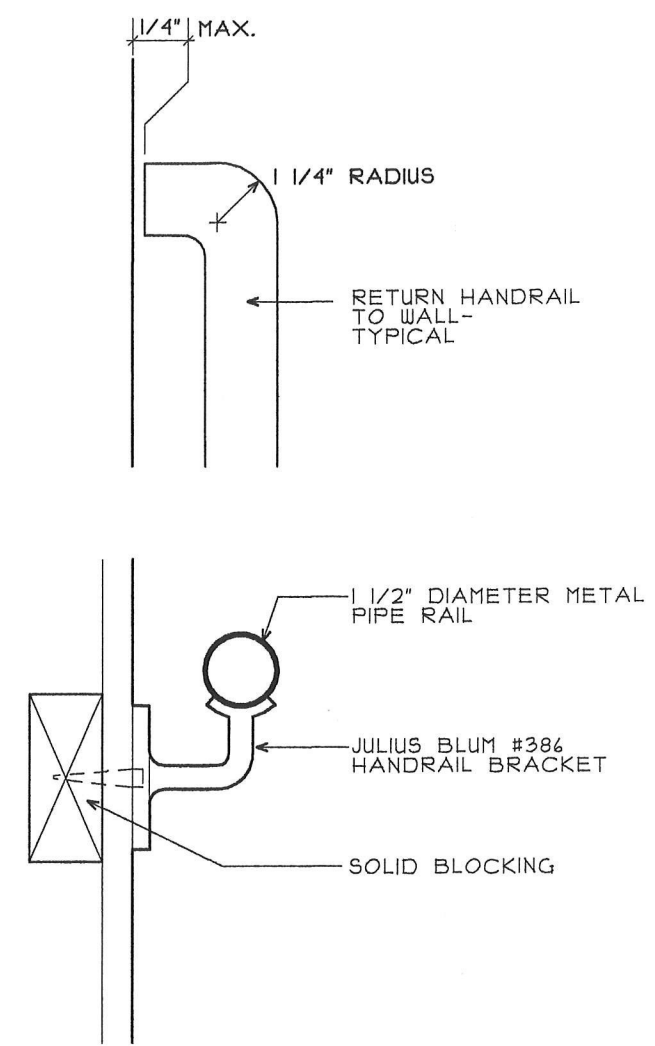
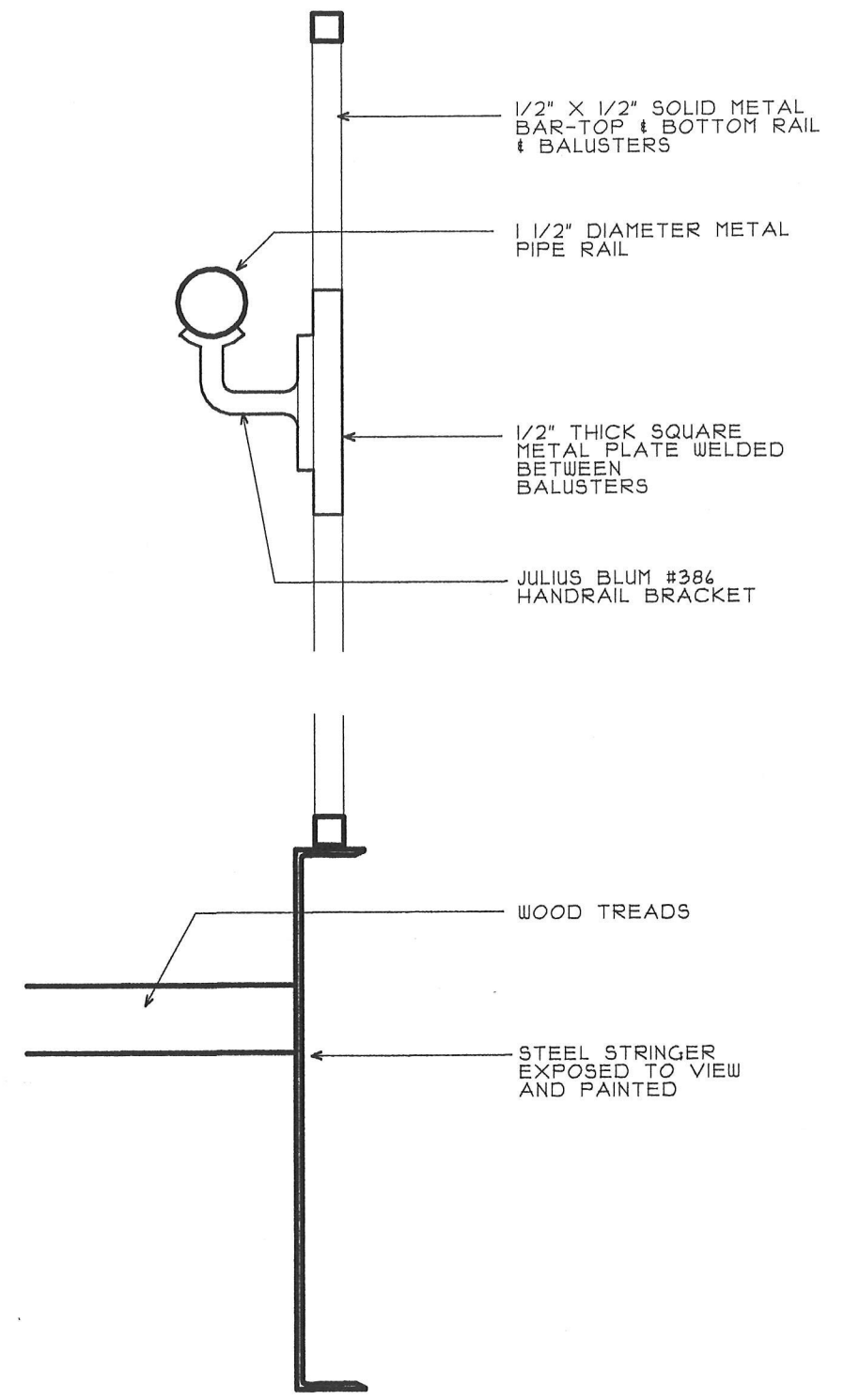


1 TYPICAL TREAD & RISER  
3"=1'-0"



2 WALL MOUNTED HANDRAIL  
3"=1'-0"



3 SECTION THROUGH STRINGER  
3"=1'-0"

NEW STAIR FOR FURNITUREA  
75 MARKET STREET . PORTLAND . ME  
REED & CO. ARCHITECTURE 8-21-12