

**1** Exterior Channel Logo/Letter Wall Display -  
 Non-Illuminated 'Chi' logo & Letter Faces  
 SCALE: 1/2" = 1'-0" AREA: 11.11 SF

**2** Exterior NON-Illuminated D/F Blade Sign - Silver Design  
 SCALE: 3/4" = 1'-0" AREA: 4.48 SF

**3** Window Vinyl Logos  
 SCALE: 1" = 1'-0"

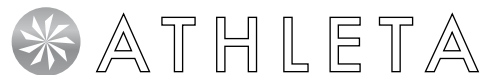
**ARCHITECTURAL SITE PLAN**  
 SCALE: 3/32" = 1'-0"

It is the intent and purpose of this color rendering to provide a basic color representation of your sign finish and color. However, digital media and printed colors will vary from actual paint finish and color. Existing painted surfaces will have a perceptible difference in shade and sheen from your sign finish. Providing a sample of the paint you wish to match or a Matthews paint color formula will minimize the differences.

16265 Star Road Nampa, ID 83687 toll free: 800.592.8058 tele: 208.345.4020 fax: 208.336.9886 www.imagenational.com



PROJECT TITLE:



LOCATION:

Store #0461  
 66 Pearl St.,  
 Portland, ME 04101

REQUESTED BY:

Danny P.

DRAWN BY:

TRH

COMPUTER FILE

ATH-461 PortlandME-R3-EXT-080618

INCLUDING DATE:



NAMPA PLANT -  
 UL #433195-001

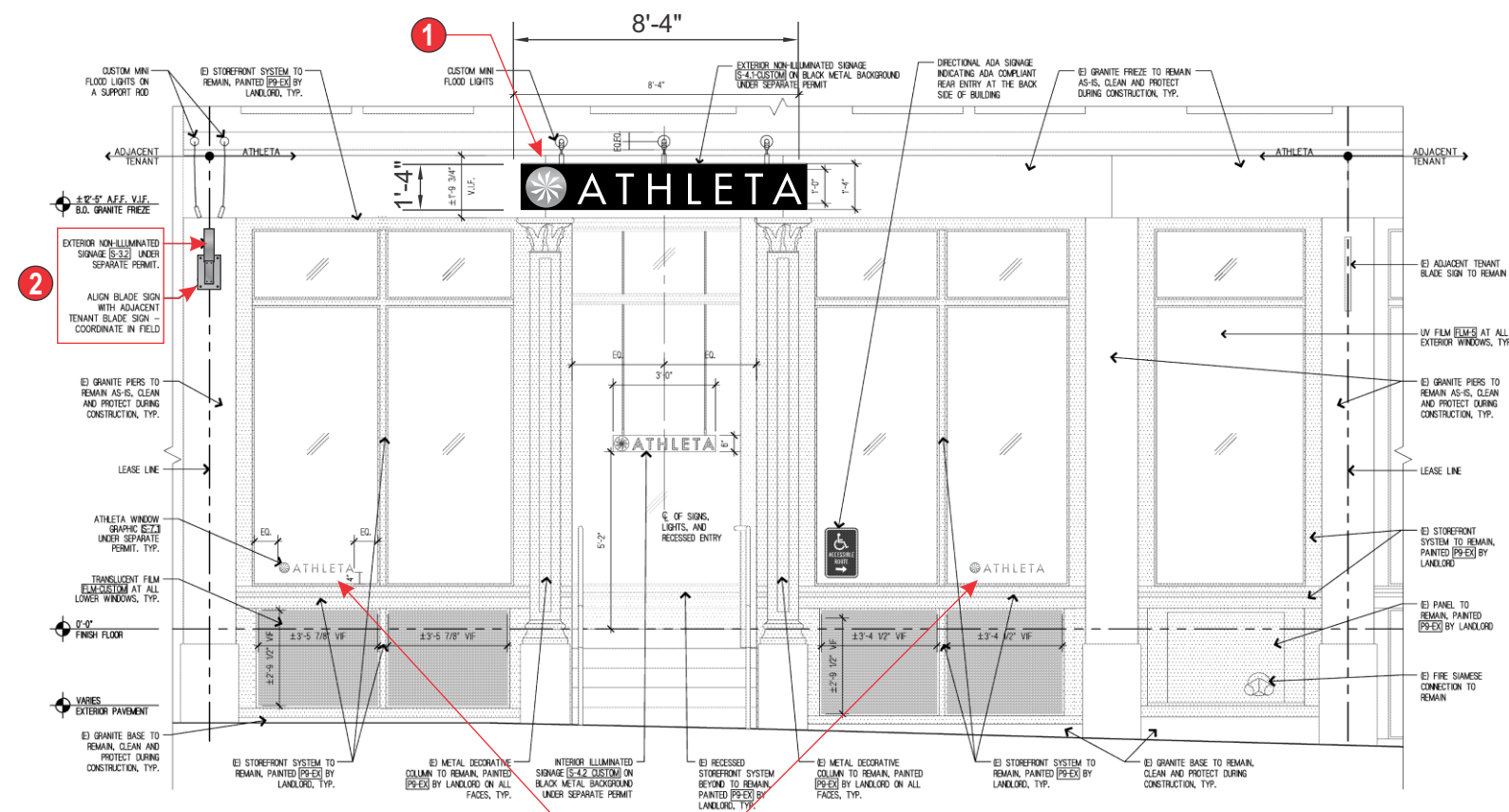
U.S. & PR. - All signs conform to UL-48/2161 (labeled accordingly) & must comply with UL-411 install procedures. Canada - all signs must be CAS compliant. This sign(s) is intended to be installed in accordance with the requirements of Article 600 of the National Electrical Code and/or applicable local codes. This includes proper grounding and bonding of the sign.

page #

1 of 4

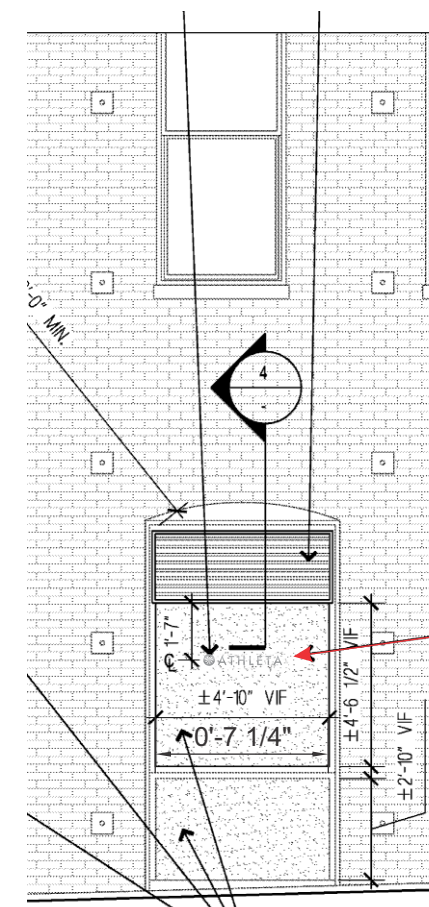


Permitting and Inspections Department  
Approved with Conditions  
09/06/2018



**Front Store Elevation**  
SCALE: 3/16" = 1'-0"

NOTE: 2ND SURFACE VINYL

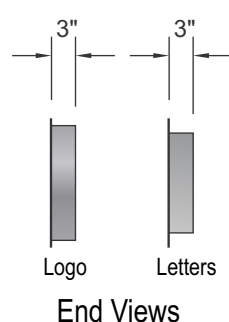


**Rear Store Elevation**  
SCALE: 3/16" = 1'-0"

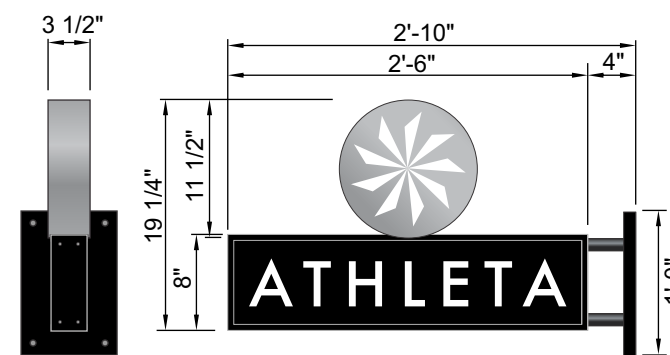
\*NOTE: GC TO COORDINATE  
DECAL APPLICATION  
WITH OPAQUE FILM  
SO SIGN DECAL IS VISIBLE

3B

NOTE: 1ST SURFACE VINYL



1 Channel Logo/Letter Wall Display -  
Non-Illuminated 'Chi' Logo & Letter Faces  
SCALE: 1/2" = 1'-0" AREA: 11.11 SF



2 CUSTOM BAR LIGHT LED-ILLUM'D BLADE SIGN  
SCALE: 3/4" = 1'-0" 4.53 SF



3A 3B Window Vinyl Logos  
SCALE: 1" = 1'-0"

It is the intent and purpose of this color rendering to provide a basic color representation of your sign finish and color. However, digital media and printed colors will vary from actual paint finish and color. Existing painted surfaces will have a perceptible difference in shade and sheen from your sign finish. Providing a sample of the paint you wish to match or a Matthews paint color formula will minimize the differences.

16265 Star Road Nampa, ID 83687 toll free: 800.592.8058 tele: 208.345.4020 fax: 208.336.9886 www.imagenational.com



LOCATION:  
Store #0461  
66 Pearl St.,  
Portland, ME 04101

REQUESTED BY: Danny P.  
DRAWN BY: TRH  
COMPUTER FILE INCLUDING DATE: ATH-461 PortlandME-R3-EXT-080618



NAMPA PLANT -  
UL #433195-001

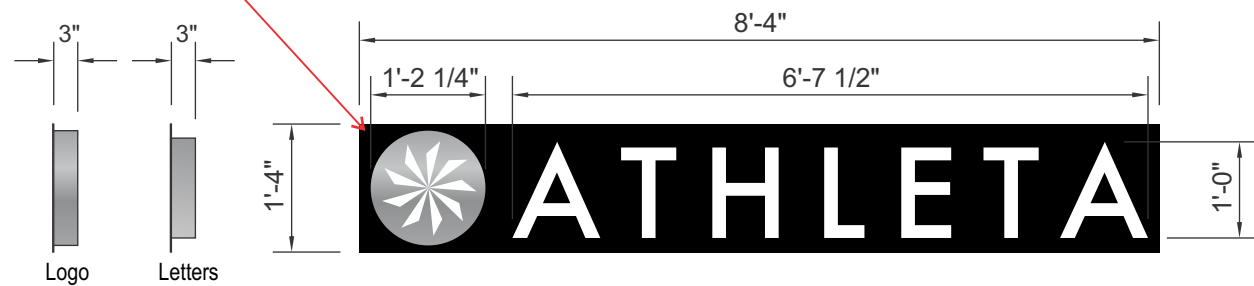
U.S. & PR. - All signs conform to UL-48/2161 (labeled accordingly) & must comply with UL-411 install procedures. Canada - all signs must be CAS compliant. This sign(s) is intended to be installed in accordance with the requirements of Article 600 of the National Electrical Code and/or applicable local codes. This includes proper grounding and bonding of the sign.





Permitting and Inspections Department  
Approved with Conditions  
09/06/2018

- .080 ALUM. B/G PANEL PAINTED BLACK
- MANUFACTURED & SHIPPED IN (2) SECTIONS



**NOTE: WALL ATTACHMENT OF FLAT BACKGROUND PANEL BY INSTALLER, USING NON-CORROSIVE APPROPRIATE MOUNTING HARDWARE PER WALL MATERIAL & CONDITION.**

**1** Channel Logo/Letter Wall Display - Non-Illuminated 'Chi' Logo & Letter Faces  
SCALE: 1/2" = 1'-0" AREA: 11.11 SF

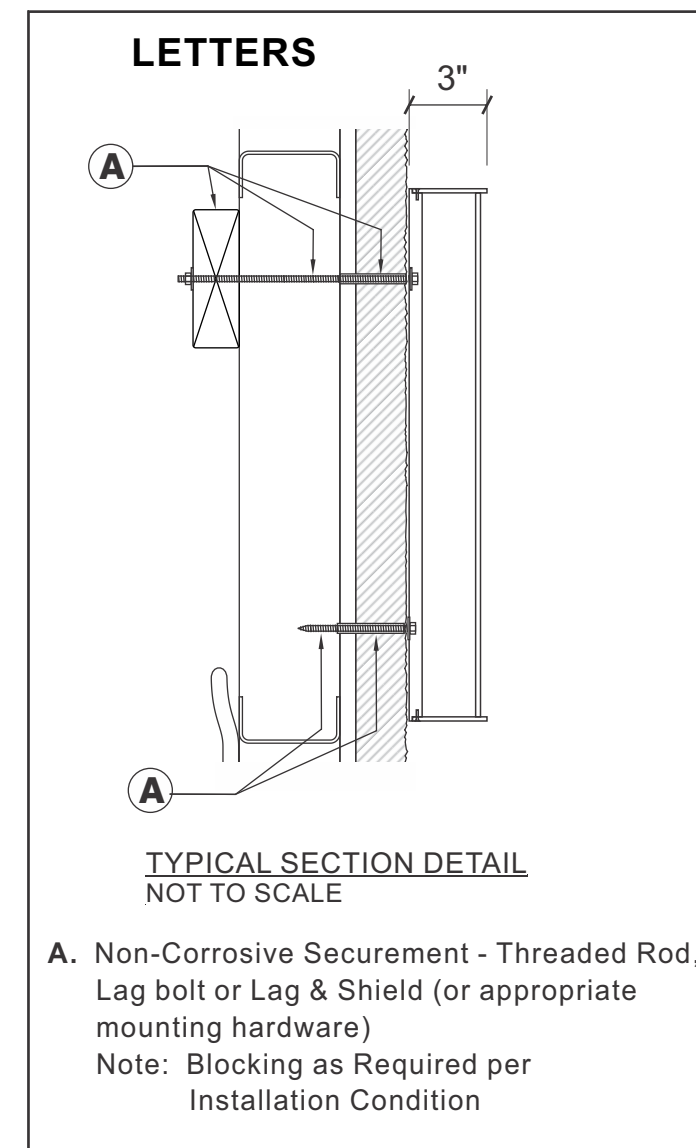
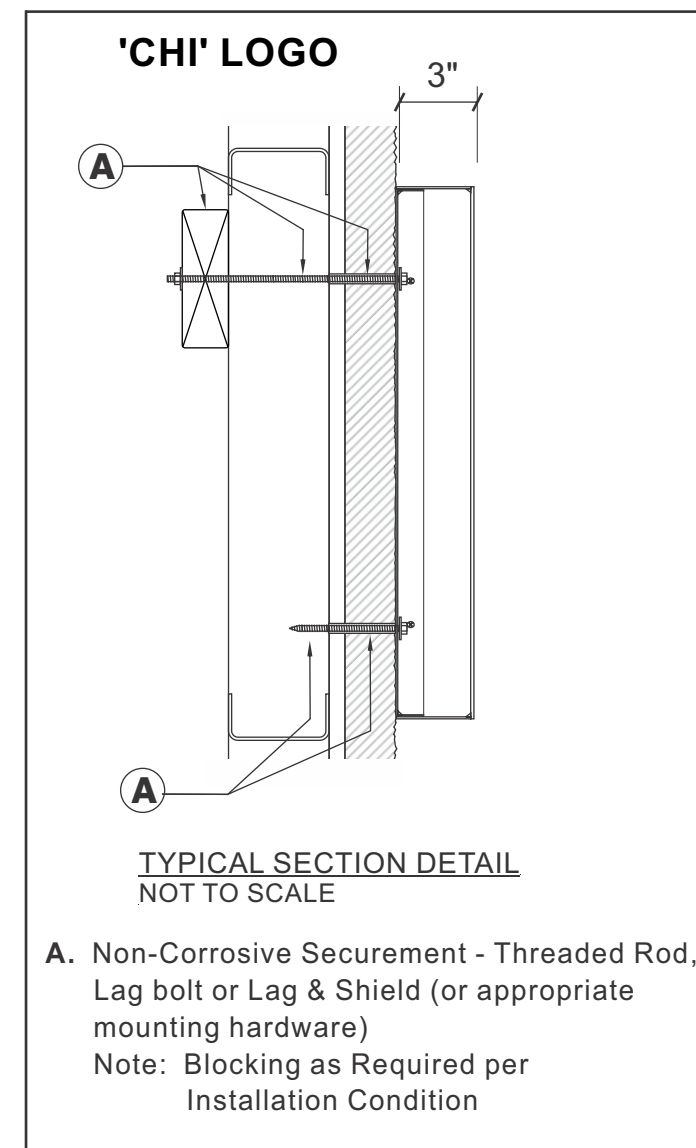
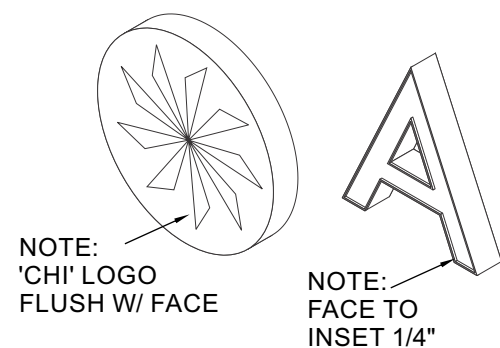
**'CHI' LOGO -**

- WHITE ACRYLIC FACE W/ 'CHI' LOGO ON A PAINTED OPAQUE SILVER\* BACKGROUND (SATIN FINISH)
- RETURNS TO BE SEAMLESS 3" DEEP PAINTED SILVER\* - ATTACH WITH COUNTERSUNK SCREWS

**'ATHLETA' LETTERS -**

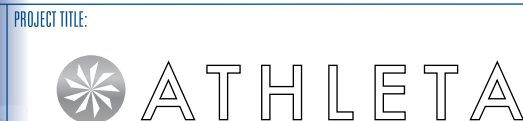
- 3" DEEP ALUMINUM CHANNEL LETTERS
- FACES - WHITE ACRYLIC
- RETURNS PAINTED SILVER\* (SATIN FINISH)

\* SILVER (MP N951SP)



It is the intent and purpose of this color rendering to provide a basic color representation of your sign finish and color. However, digital media and printed colors will vary from actual paint finish and color. Existing painted surfaces will have a perceptible difference in shade and sheen from your sign finish. Providing a sample of the paint you wish to match or a Matthews paint color formula will minimize the differences.

16265 Star Road Nampa, ID 83687 toll free: 800.592.8058 tele: 208.345.4020 fax: 208.336.9886 www.imagenational.com



LOCATION:  
**Store #0461**  
66 Pearl St.,  
Portland, ME 04101

REQUESTED BY: Danny P.  
DRAWN BY: TRH  
COMPUTER FILE INCLUDING DATE: ATH-461 PortlandME-R3-EXT-080618

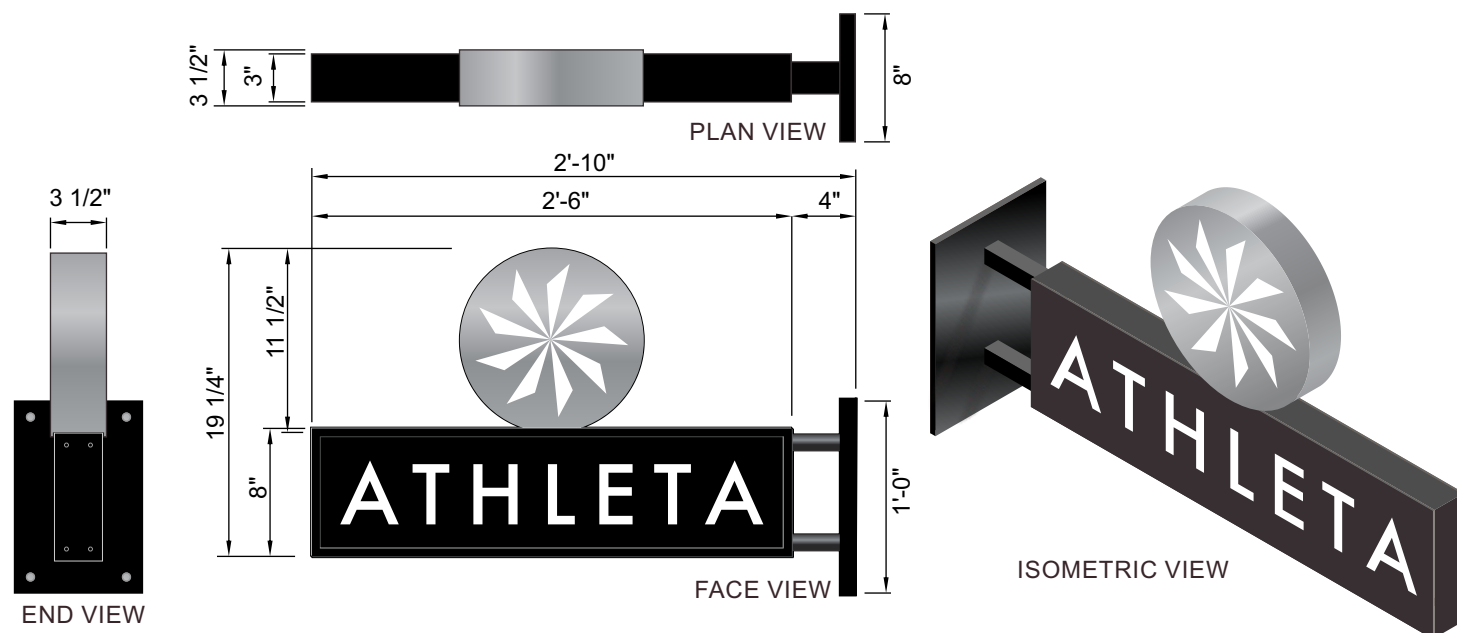


NAMPA PLANT -  
UL #433195-001

U.S. & PR. - All signs conform to UL-48/2161 (labeled accordingly) & must comply with UL-411 install procedures. Canada - all signs must be CAS compliant. This sign(s) is intended to be installed in accordance with the requirements of Article 600 of the National Electrical Code and/or applicable local codes. This includes proper grounding and bonding of the sign.



Permitting and Inspections Department  
Approved with Conditions  
09/06/2018



**CUSTOM ATHBF - D/F BLADE SIGN  
NON-ILLUMINATED**

2"

SCALE: 1"=1'-0"  
4.48 SF

**'ATHLETA' CABINET:**

- FACE: WHITE ACRYLIC TO BE PAINTED BLACK W/ LETTERS 'ATHLETA' MASKED (TO REMAIN WHITE - TRANSLUCENT)
- FACE SIDE TRIM: .125 ALUMINUM TO BE PAINTED BLACK AND ATTACHED TO FACE FRONT
- RETURNS PAINTED BLACK

**'CHI' CABINET:**

- FACE: WHITE ACRYLIC TO BE PAINTED SILVER (MP N952SP) WITH 'CHI' GRAPHIC ELEMENTS MASKED (TO REMAIN WHITE - TRANSLUCENT)
- ALUMINUM RETURNS PAINTED SILVER (MP N951SP) (OUTSIDE - SATIN & WHITE INSIDE)

NOTE: CUSTOM ATTRIBUTES ARE THAT THE 'ATHLETA' CABINET AND MOUNTING ARE PAINTED BLACK

NOTE: ALL SIGNAGE ATTACHMENTS, ETC. SHOULD BE LOCATED SO THEY ARE NOT VISIBLE TO THE CUSTOMER.

NOTE: ALL U.L./MFR LABELS MUST BE PLACED OUT OF VIEW



ATHVD

**Applied Opaque Window Vinyl Logo - (3) TOTAL Sets Req'd**

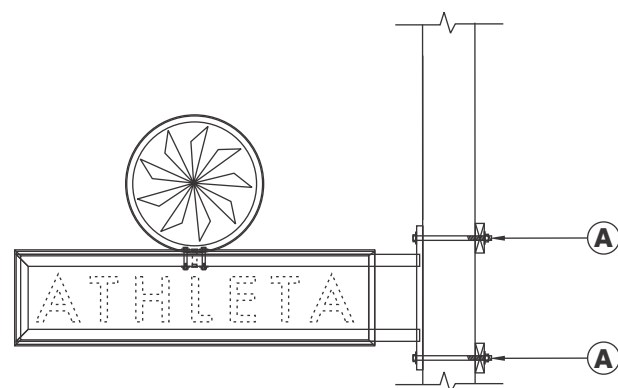
3"

SCALE: 1" = 1'-0"

- OPAQUE VINYL - LT SILVER METALLIC 3M 180C-220

(3) 1st SURFACE SETS REQ'D & (3) 2nd SURFACE SETS REQ'D

(NOTE: SEND AS '1' DECAL FOR INSTALLATION )



**Non-Illuminated  
Blade Sign Attachment Detail**

SCALE: 3/4"=1'-0"

- A. Non-Corrosive Securement - 3/8" Through Bolt & Blocking behind wall - '4' Total Required

It is the intent and purpose of this color rendering to provide a basic color representation of your sign finish and color. However, digital media and printed colors will vary from actual paint finish and color. Existing painted surfaces will have a perceptible difference in shade and sheen from your sign finish. Providing a sample of the paint you wish to match or a Matthews paint color formula will minimize the differences.

16265 Star Road Nampa, ID 83687 toll free: 800.592.8058 tele: 208.345.4020 fax: 208.336.9886 www.imagenational.com



PROJECT TITLE:  
LOCATION:  
Store #0461  
66 Pearl St.,  
Portland, ME 04101

REQUESTED BY: Danny P.  
DRAWN BY: TRH  
COMPUTER FILE INCLUDING DATE: ATH-461 PortlandME-R3-EXT-080618

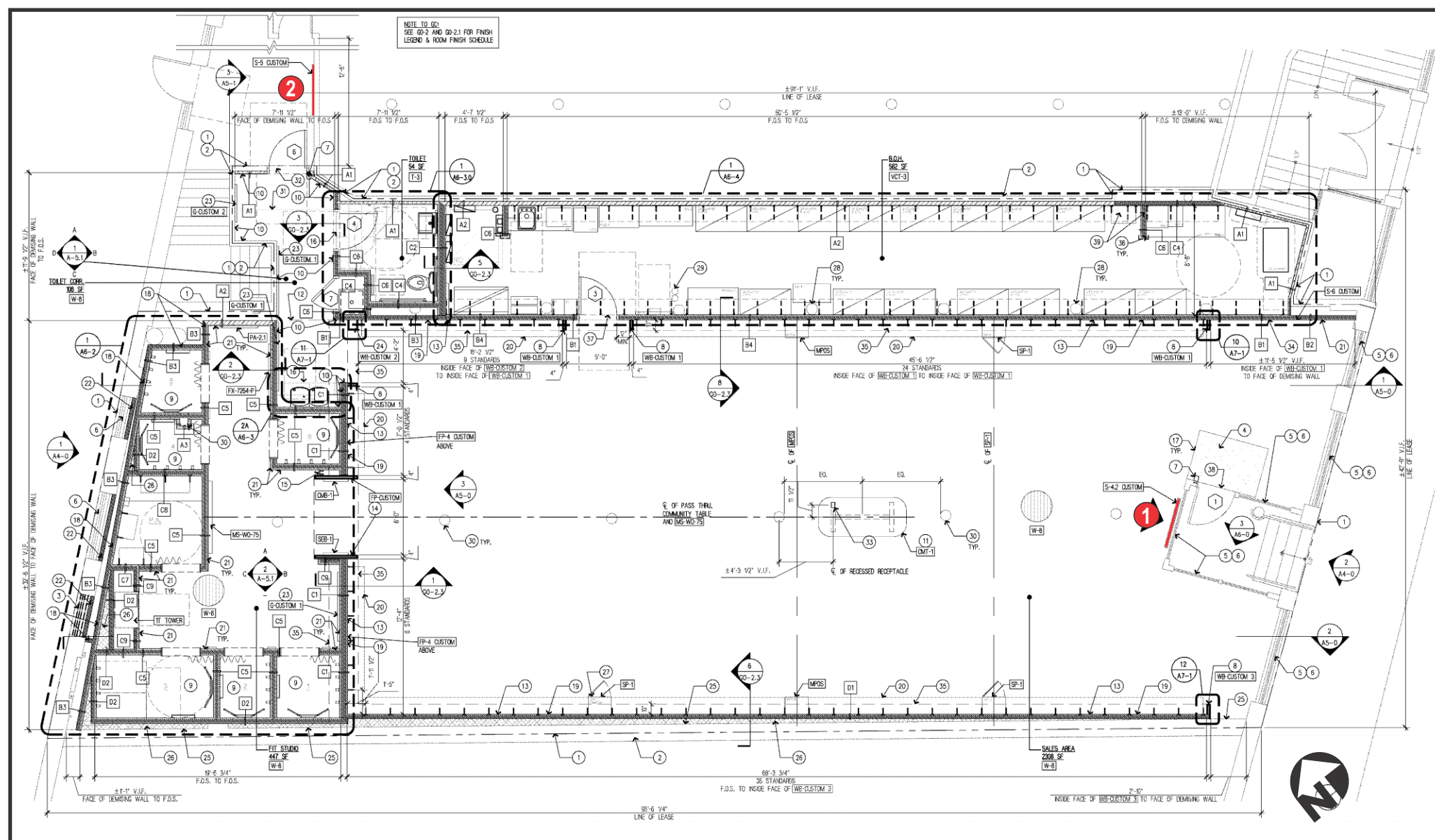


NAMPA PLANT -  
UL #433195-001

U.S. & PR. - All signs conform to UL-48/2161 (labeled accordingly) & must comply with UL-411 install procedures. Canada - all signs must be CAS compliant. This sign(s) is intended to be installed in accordance with the requirements of Article 600 of the National Electrical Code and/or applicable local codes. This includes proper grounding and bonding of the sign.



Permitting and Inspections Department  
 Approved with Conditions  
 09/06/2018



**1** Interior Custom S/F Hanging Cabinet w/ Illum'd Logo/Letters  
 SCALE: 1" = 1'-0"

**2** CUSTOM Interior Halo-Illum'd Reverse Pan Channel Logo/Letters  
 SCALE: 1" = 1'-0"

**ARCHITECTURAL SITE PLAN**  
 SCALE: 3/32" = 1'-0"

It is the intent and purpose of this color rendering to provide a basic color representation of your sign finish and color. However, digital media and printed colors will vary from actual paint finish and color. Existing painted surfaces will have a perceptible difference in shade and sheen from your sign finish. Providing a sample of the paint you wish to match or a Matthews paint color formula will minimize the differences.

16265 Star Road Nampa, ID 83687 toll free: 800.592.8058 tele: 208.345.4020 fax: 208.336.9886 www.imagenational.com



PROJECT TITLE:



LOCATION:

Store #0461  
 66 Pearl St.,  
 Portland, ME 04101

REQUESTED BY:

Danny P.

DRAWN BY:

TRH

COMPUTER FILE  
 INCLUDING DATE:

ATH-461 PortlandME-R3-INT-080618



NAMPA PLANT -  
 UL #433195-001

U.S. & PR. - All signs conform to UL-48/2161 (labeled accordingly) & must comply with UL-411 install procedures. Canada - all signs must be CAS compliant. This sign(s) is intended to be installed in accordance with the requirements of Article 600 of the National Electrical Code and/or applicable local codes. This includes proper grounding and bonding of the sign.

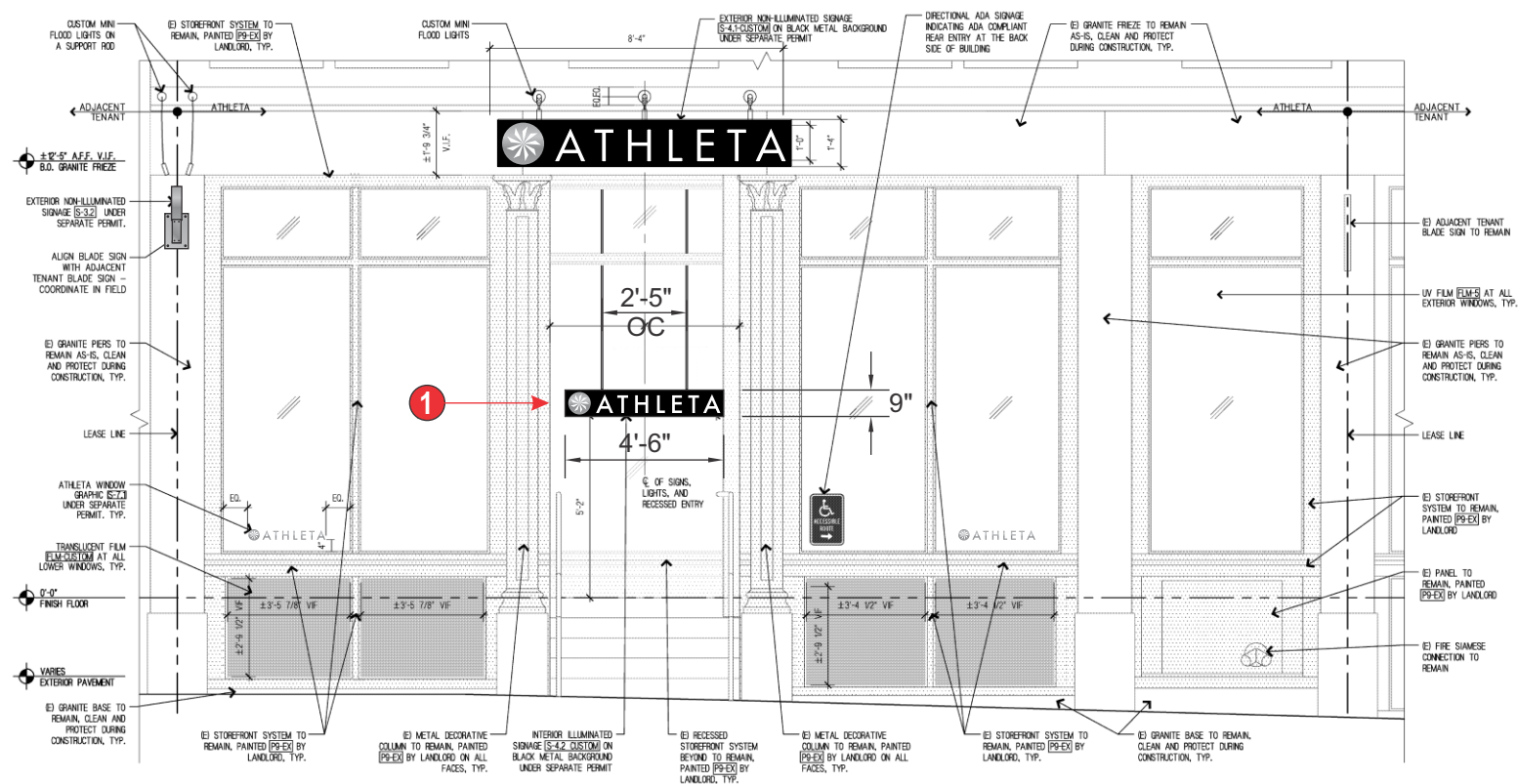
page #

1 of 3

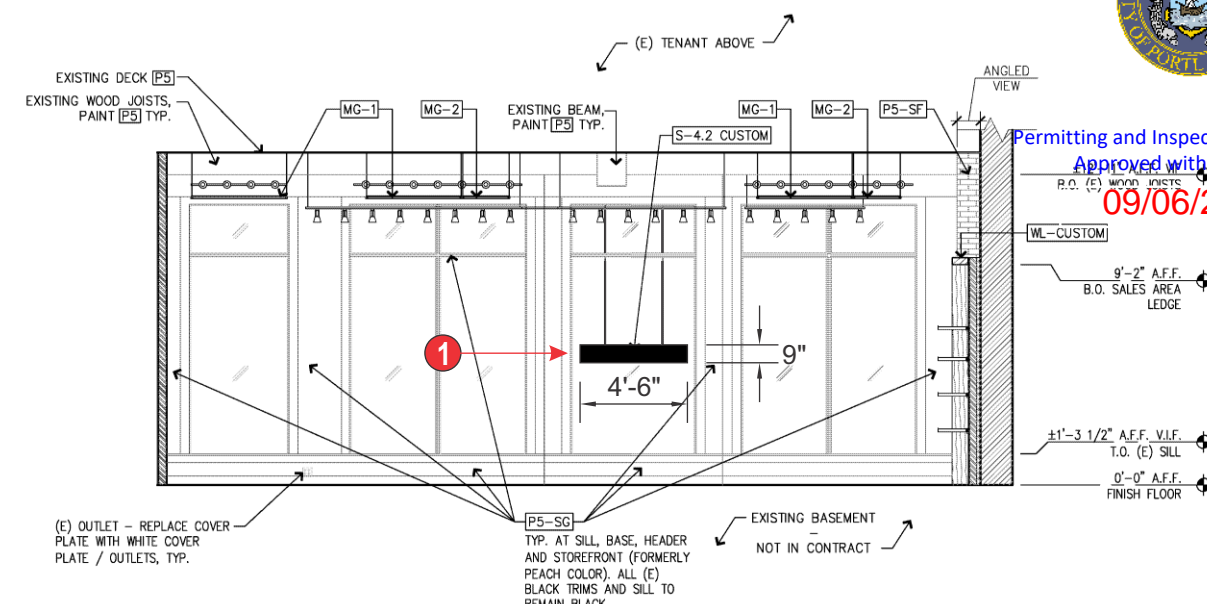




Permitting and Inspections Department  
Approved with Conditions  
09/06/2018



**Front Store Elevation**  
SCALE: 3/16" = 1'-0"



**Interior Elevation - Storefront View**  
SCALE: 1/8" = 1'-0"

**CUSTOM S/F Hanging Cabinet w/ Push-Thru Illum'd 'Chi' Logo & Letter Faces**  
SCALE: 1" = 1'-0"

**'CHI' LOGO -**

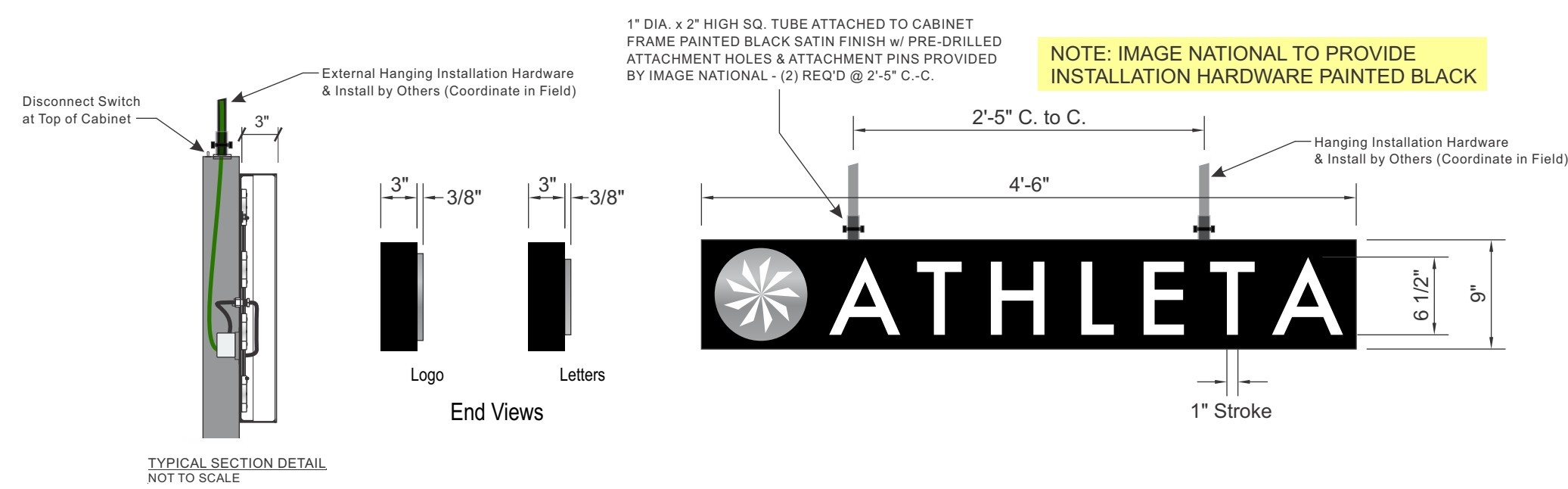
- 1/2" CLEAR ACRYLIC FACE W/ ILLUMINATED PUSH-THRU 'CHI' LOGO- WHITE VINYL 3M 3630-20 W/ OVERLAY OF 3M WHITE BLOCKOUT VINYL 3635-20B (CHI ROUTED OUT) & TOP OVERLAY OF LT SILVER METALLIC 3M 3650-220 (CHI ROUTED OUT)
- INTERNAL WHITE LED ILLUMINATION

**'ATHLETA' LETTERS -**

- 1/2" CLEAR ACRYLIC FACE W/ ILLUMINATED PUSH-THRU LETTERS
- 1ST SURFACE WHITE VINYL 3M 3630-20
- INTERNAL WHITE LED ILLUMINATION

**BACKGROUND CABINET**

- 3" DEEP .063 ALUMINUM PAINTED BLACK SATIN FINISH
- INTERNAL POWER SUPPLY
- ELECTRICAL DISCONNECT SWITCH AT TOP OF CABINET
- ELECTRICAL PORTHOLE TO ALIGN WITH HANGING HARDWARE
- HANGING HARDWARE TO BE SPACED 2'-5" O.C.
- EXTERNAL HANGING HARDWARE BY OTHERS THAN IMAGE NATIONAL (TO BE COORDINATED IN THE FIELD)



It is the intent and purpose of this color rendering to provide a basic color representation of your sign finish and color. However, digital media and printed colors will vary from actual paint finish and color. Existing painted surfaces will have a perceptible difference in shade and sheen from your sign finish. Providing a sample of the paint you wish to match or a Matthews paint color formula will minimize the differences.

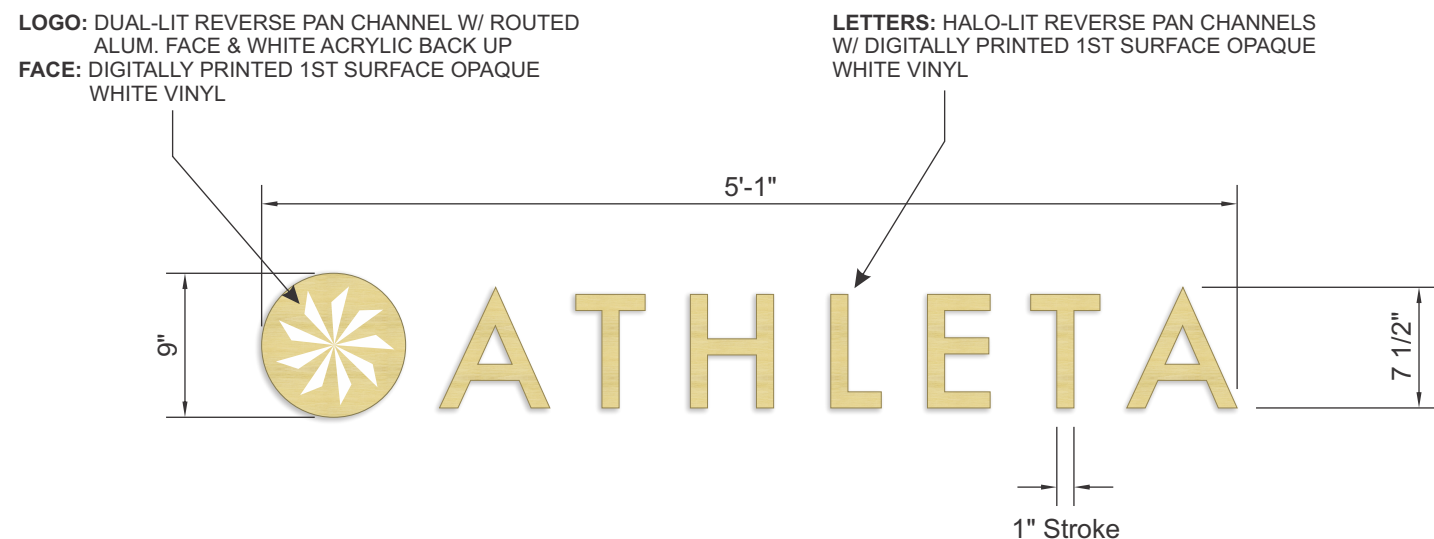
16265 Star Road Nampa, ID 83687 toll free: 800.592.8058 tele: 208.345.4020 fax: 208.336.9886 www.imagenational.com

		LOCATION: <b>Store #0461</b> 66 Pearl St., Portland, ME 04101	REQUESTED BY: Danny P.	NAMPA PLANT - UL # 433195-001	page # <b>2 of 3</b>
	PROJECT TITLE: ATHLETA	DRAWN BY: TRH	COMPUTER FILE INCLUDING DATE: ATH-461 PortlandME-R3-INT-080618		

© 2016 image national signs. This design is an original work of authorship by Image National, Inc. (image) which owns the copyright protection by the copyright law of the United States (title 17, U.S. Code). All rights are reserved by image and, until the use of this design is authorized by image in writing, image owns the exclusive rights to: a) reproduce this design in copies, in graphic form or as a sign; b) prepare derivative works based upon the design; c) distribute copies of the design by sale or other transfer of ownership; and d) display the design publicly.



Permitting and Inspections Department  
Approved with Conditions  
09/06/2018



**2 CUSTOM Interior Reverse Pan Halo-Illum'd Logo/Letters w/ Digitally Printed Vinyl Faces**  
SCALE: 1" = 1'-0"

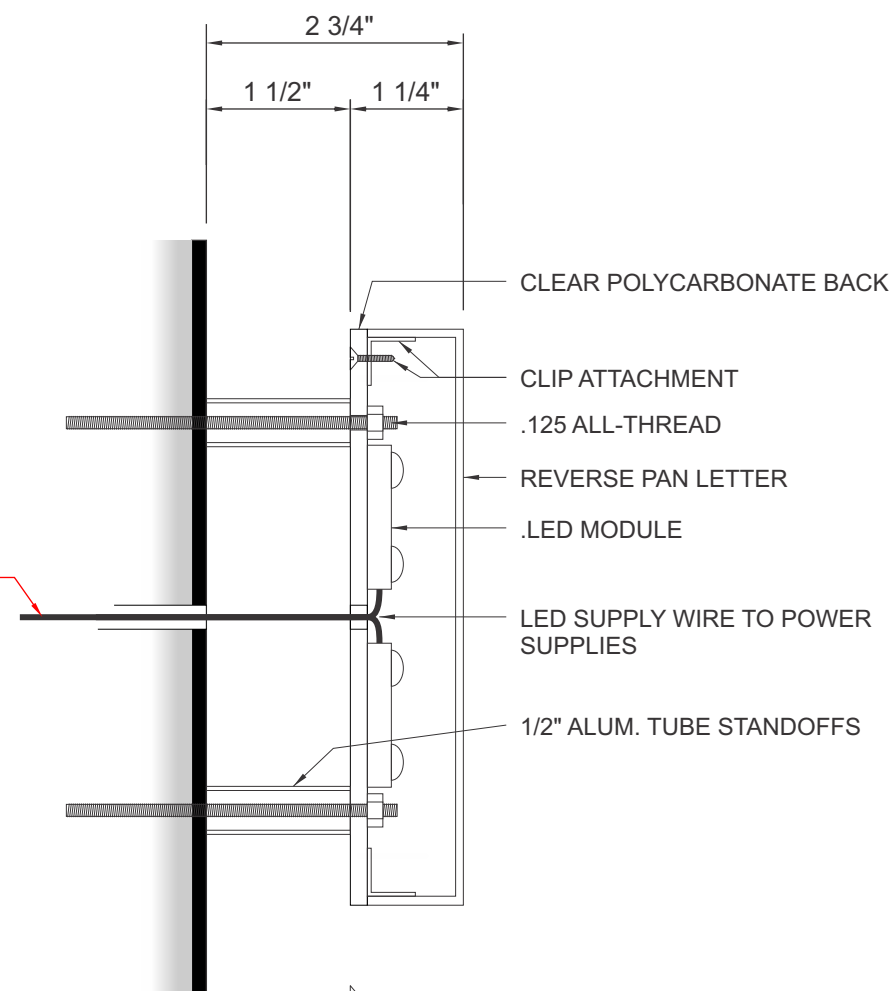
**DUAL LIT 'CHI' LOGO -**

- FACE MATERIAL - FLUSH ALUMINUM FACE ROUNDED OUT & BACKED UP W/ WHITE ACRYLIC
- FACE TO HAVE 1ST SURFACE DIGITALLY PRINTED OPAQUE WHITE VINYL TO PROVIDE WOOD LOOK (SEE AM FOR SAMPLE / PRINT FILE)
- LOGO RETURNS TO BE PAINTED SINGLE COLOR TO MATCH DIGITALLY PRINTED 'WOOD' ON FACES (SEE AM'S SAMPLE)
- HALO ILLUMINATION BY WHITE LEDS ATTACHED TO CLEAR POLYCARBONATE BACKS

**REVERSE PAN HALO LETTERS 'ATHLETA' -**

- FACE MATERIAL - FLUSH ALUMINUM FACE
- FACE TO HAVE 1ST SURFACE DIGITALLY PRINTED OPAQUE WHITE VINYL TO PROVIDE WOOD LOOK (SEE AM FOR SAMPLE / PRINT FILE)
- LOGO RETURNS TO BE PAINTED SINGLE COLOR TO MATCH DIGITALLY PRINTED 'WOOD' ON FACES (SEE AM'S SAMPLE)
- HALO ILLUMINATION BY WHITE LEDS ATTACHED TO CLEAR POLYCARBONATE BACKS

LED SUPPLY WIRE TO TRANSFORMER BOX CONTAINING LED POWER SUPPLIES & PRIMARY POWER



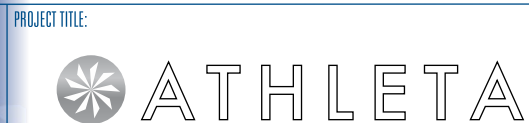
**SIDE DETAIL**  
SCALE: 1/2"=1"



**HALO-LIT VIEW - NTS**

It is the intent and purpose of this color rendering to provide a basic color representation of your sign finish and color. However, digital media and printed colors will vary from actual paint finish and color. Existing painted surfaces will have a perceptible difference in shade and sheen from your sign finish. Providing a sample of the paint you wish to match or a Matthews paint color formula will minimize the differences.

16265 Star Road Nampa, ID 83687 toll free: 800.592.8058 tele: 208.345.4020 fax: 208.336.9886 www.imagenational.com



PROJECT TITLE:  
LOCATION:  
**Store #0461**  
66 Pearl St.,  
Portland, ME 04101

REQUESTED BY: Danny P.  
DRAWN BY: TRH  
COMPUTER FILE INCLUDING DATE: ATH-461 PortlandME-R3-INT-080618



NAMPA PLANT -  
UL #433195-001

U.S. & PR. - All signs conform to UL-48/2161 (labeled accordingly) & must comply with UL-411 install procedures. Canada - all signs must be CAS compliant. This sign(s) is intended to be installed in accordance with the requirements of Article 600 of the National Electrical Code and/or applicable local codes. This includes proper grounding and bonding of the sign.