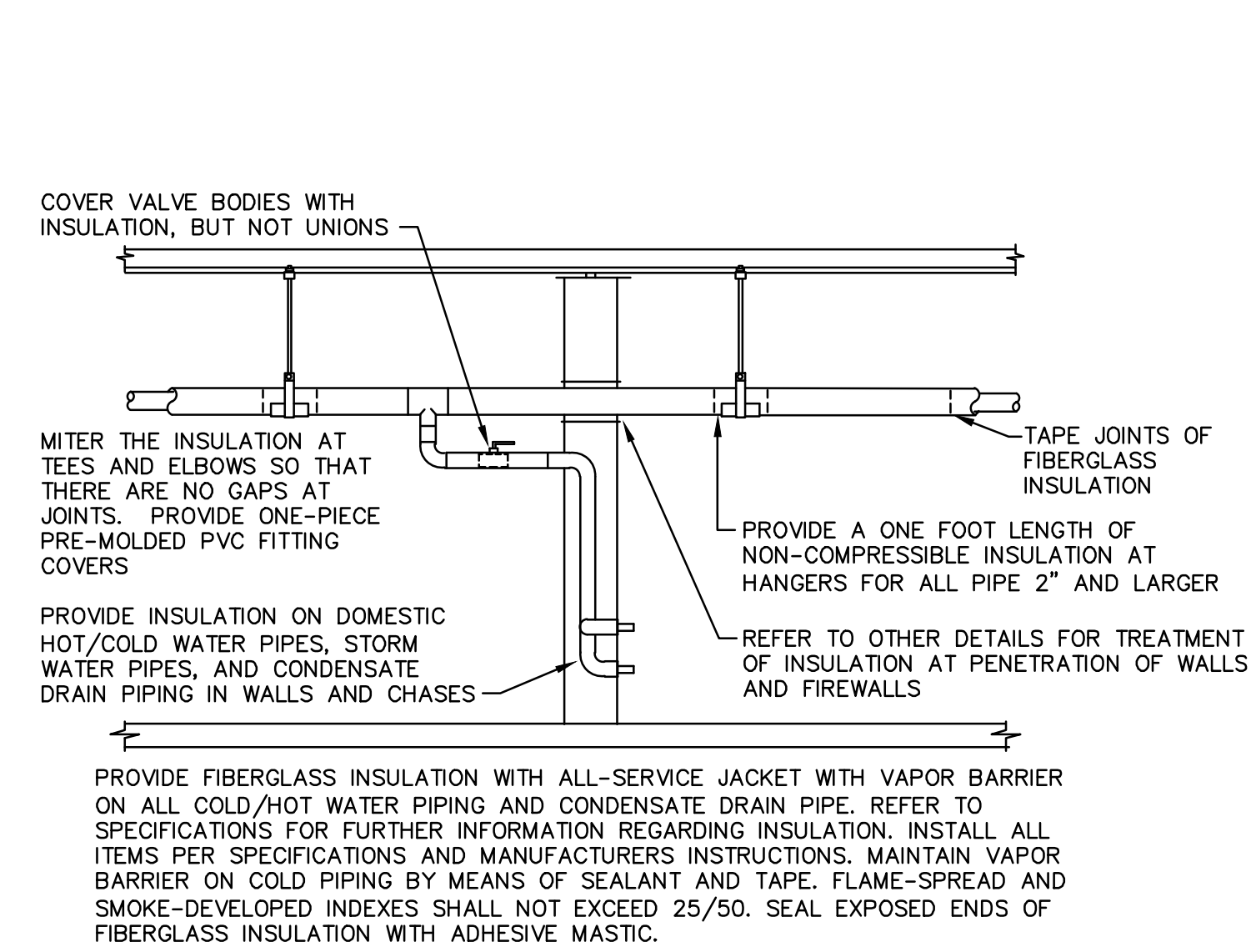
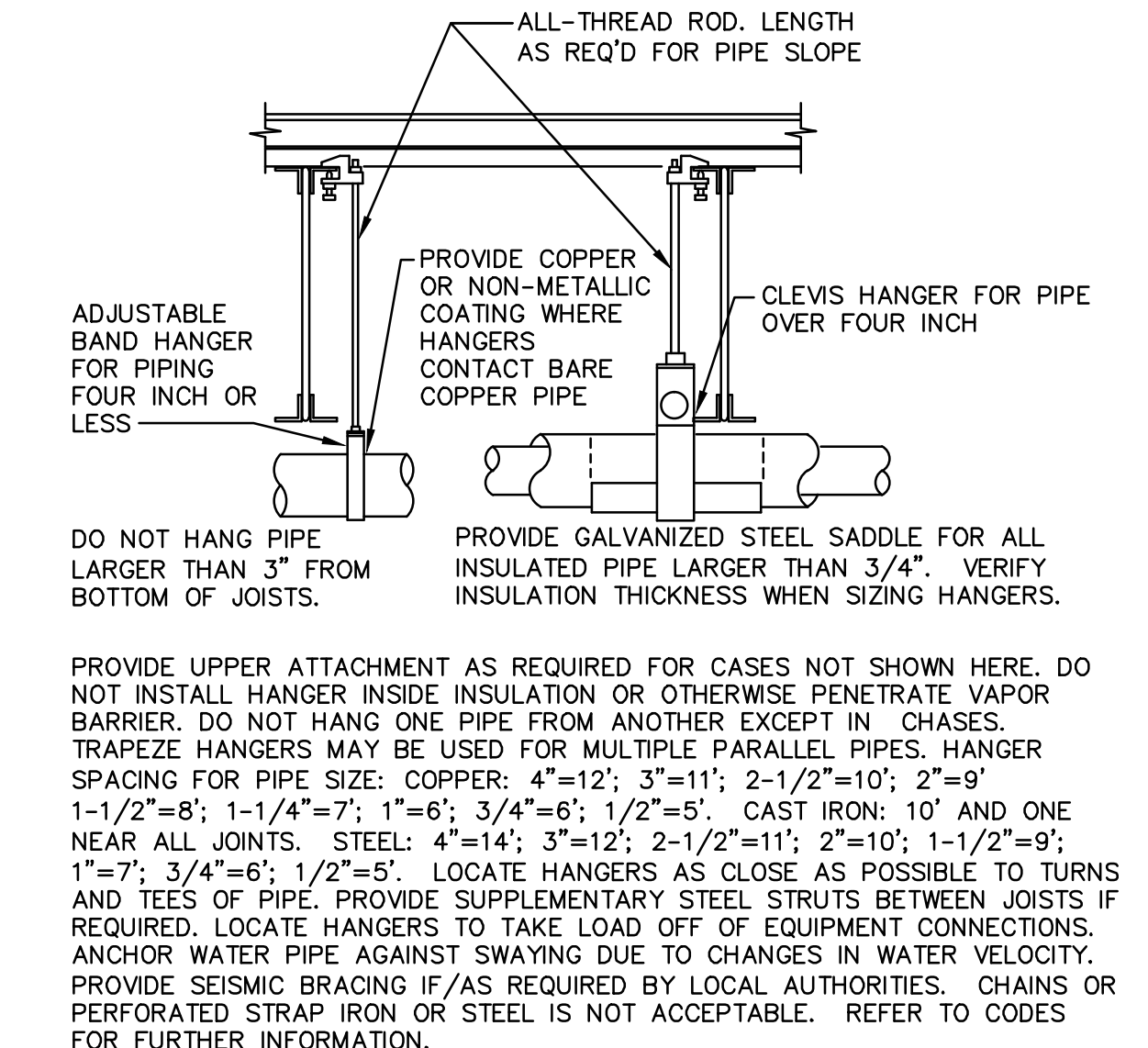


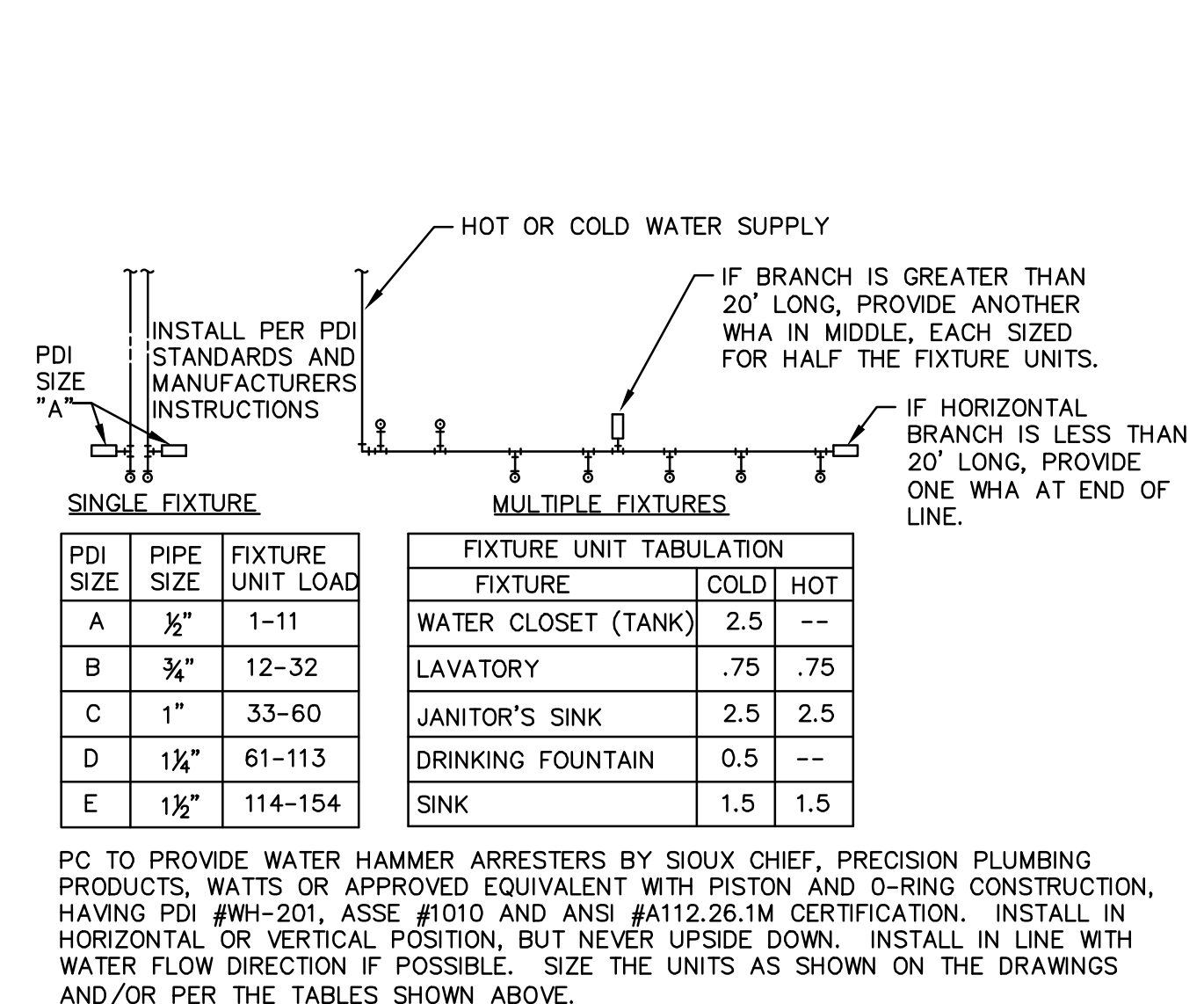
1 PIPE INSULATION
NO SCALE



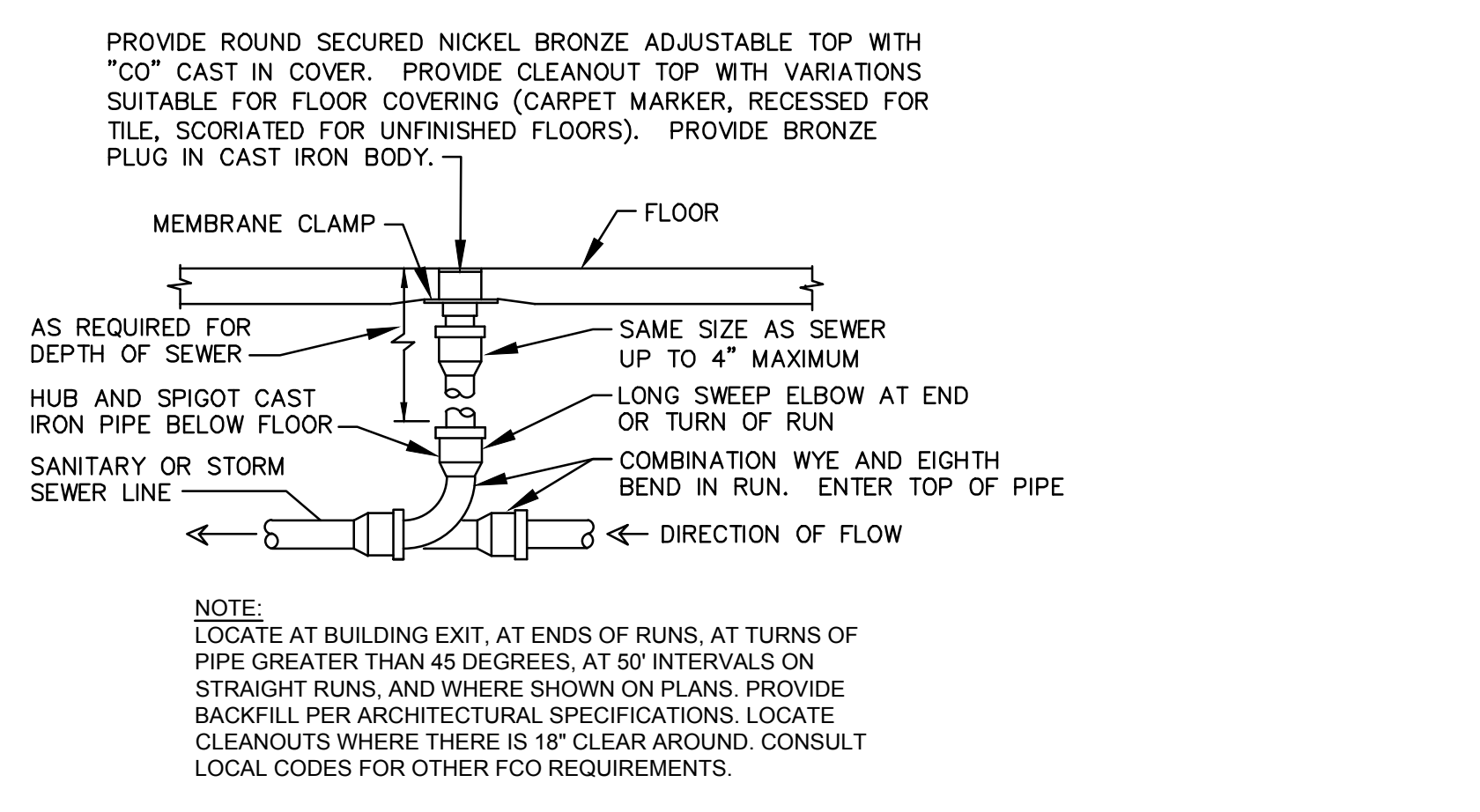
2 PIPE HANGERS
NO SCALE



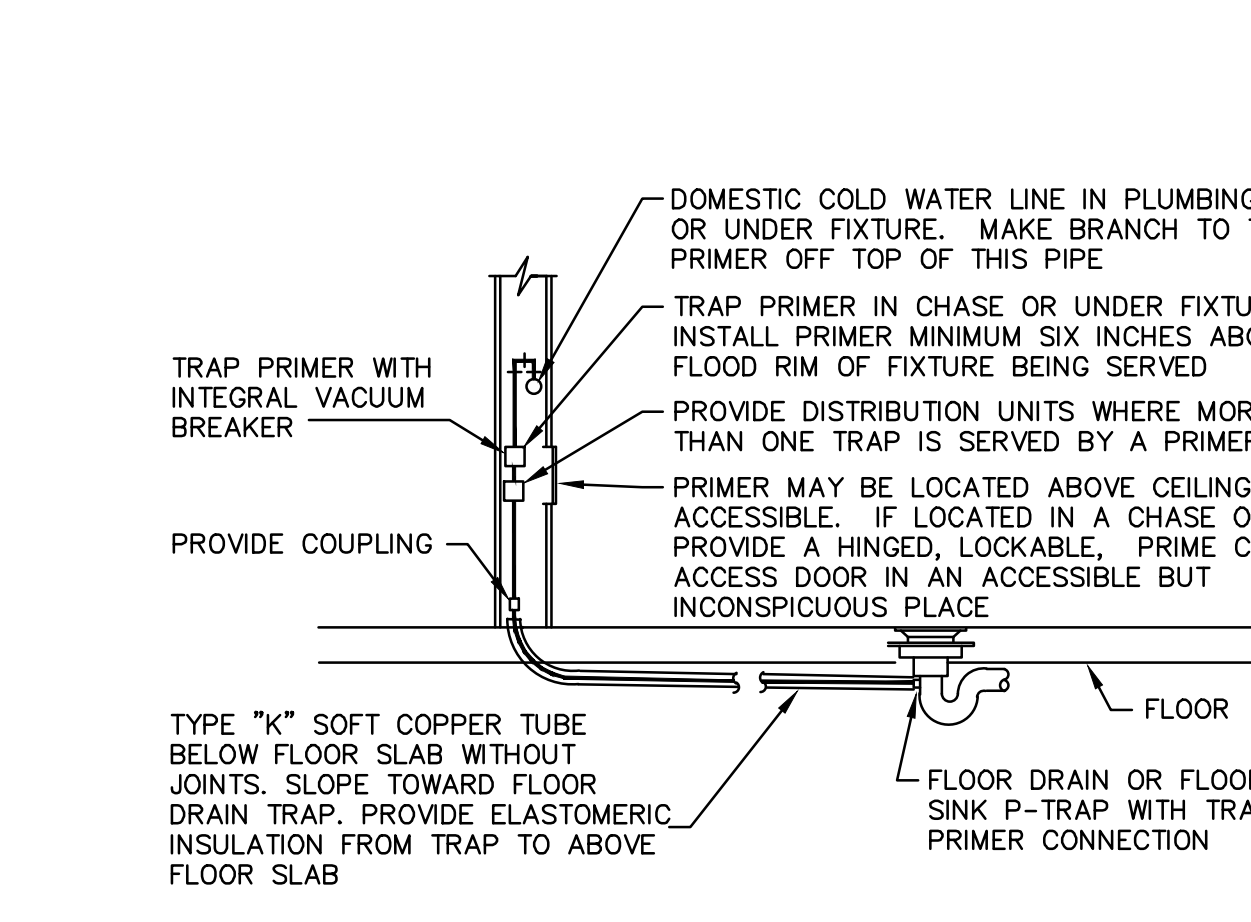
3 WATER HAMMER ARRESTERS
NO SCALE



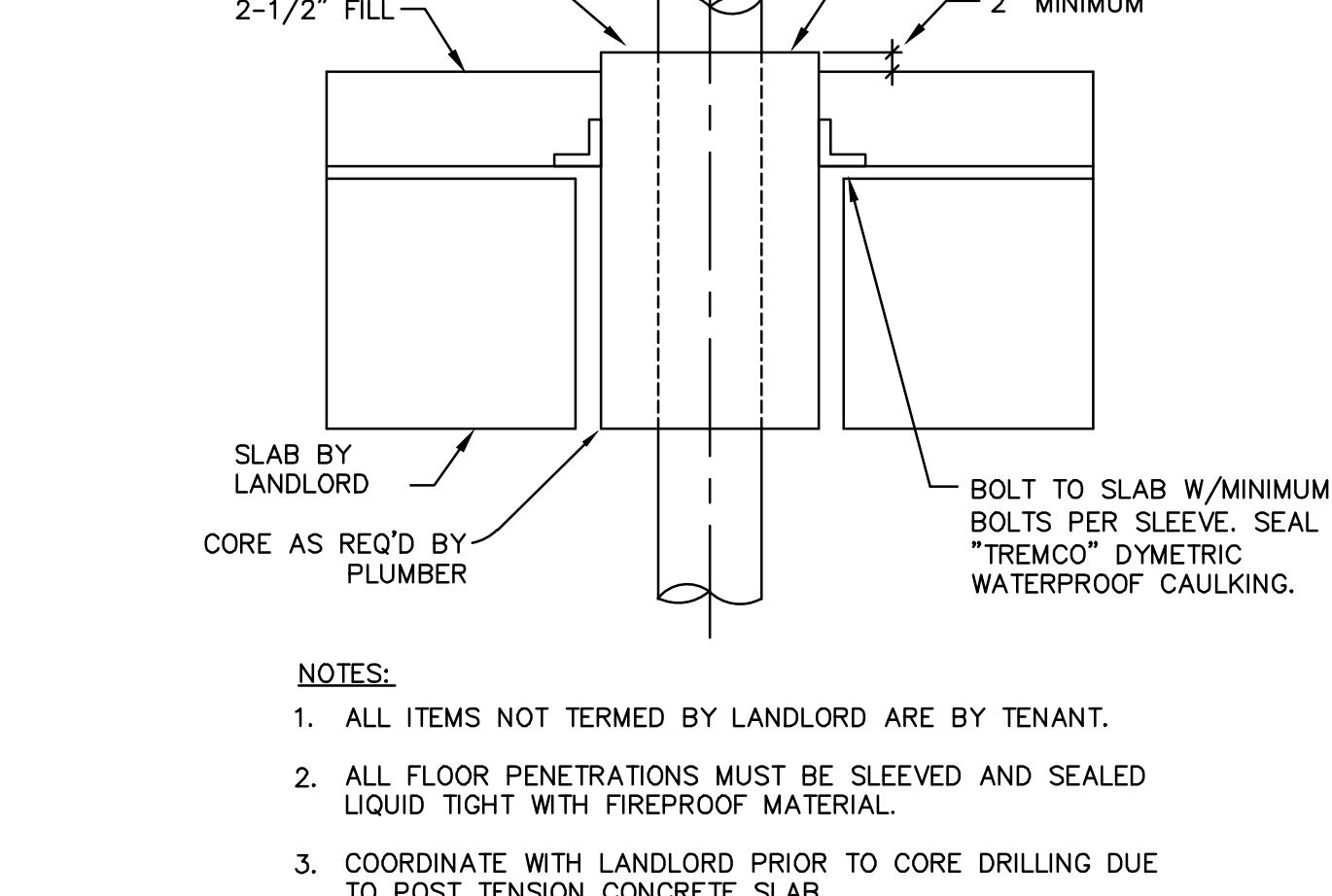
4 FLOOR CLEANOUT
NO SCALE



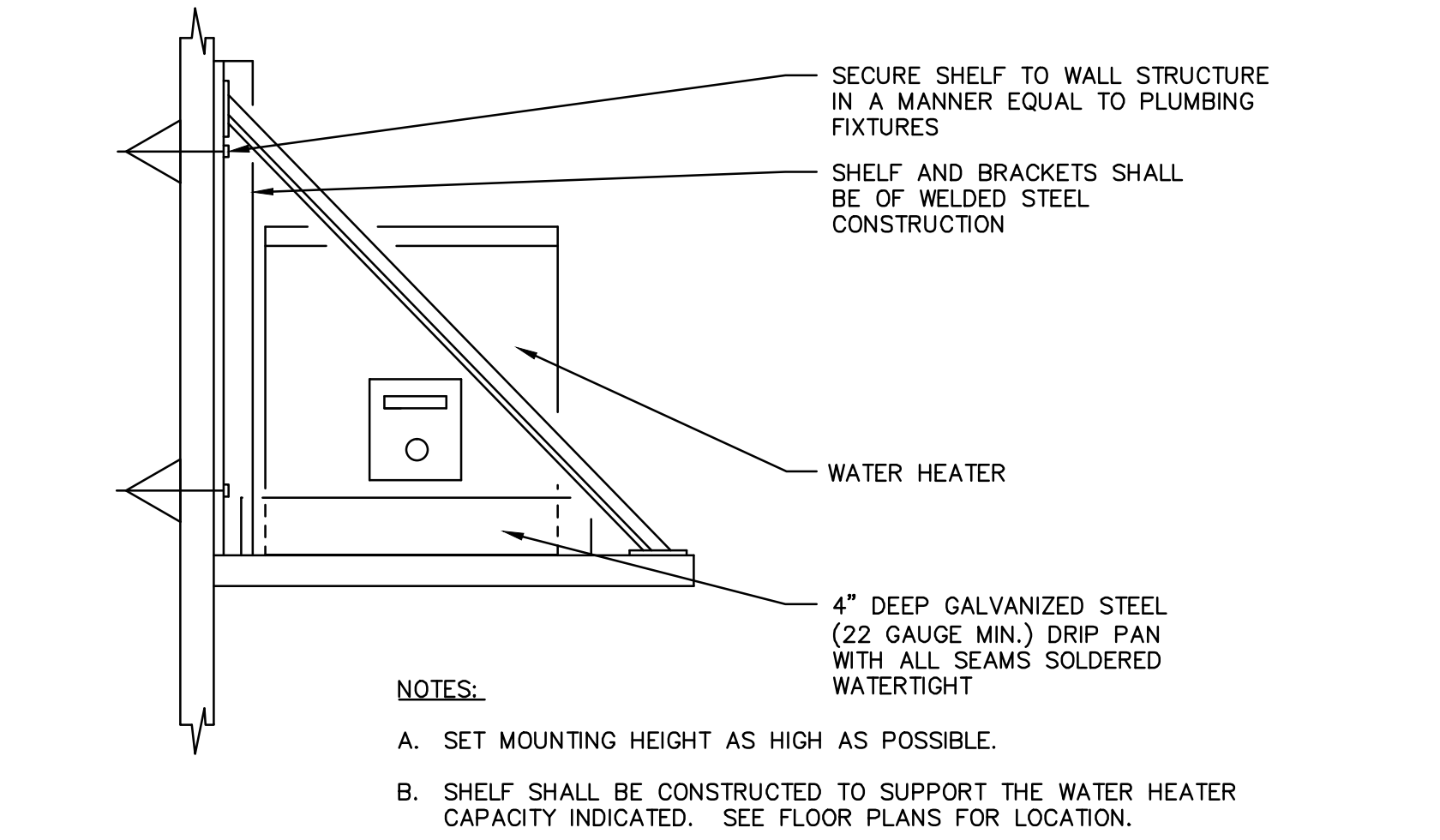
5 TRAP PRIMER
NO SCALE



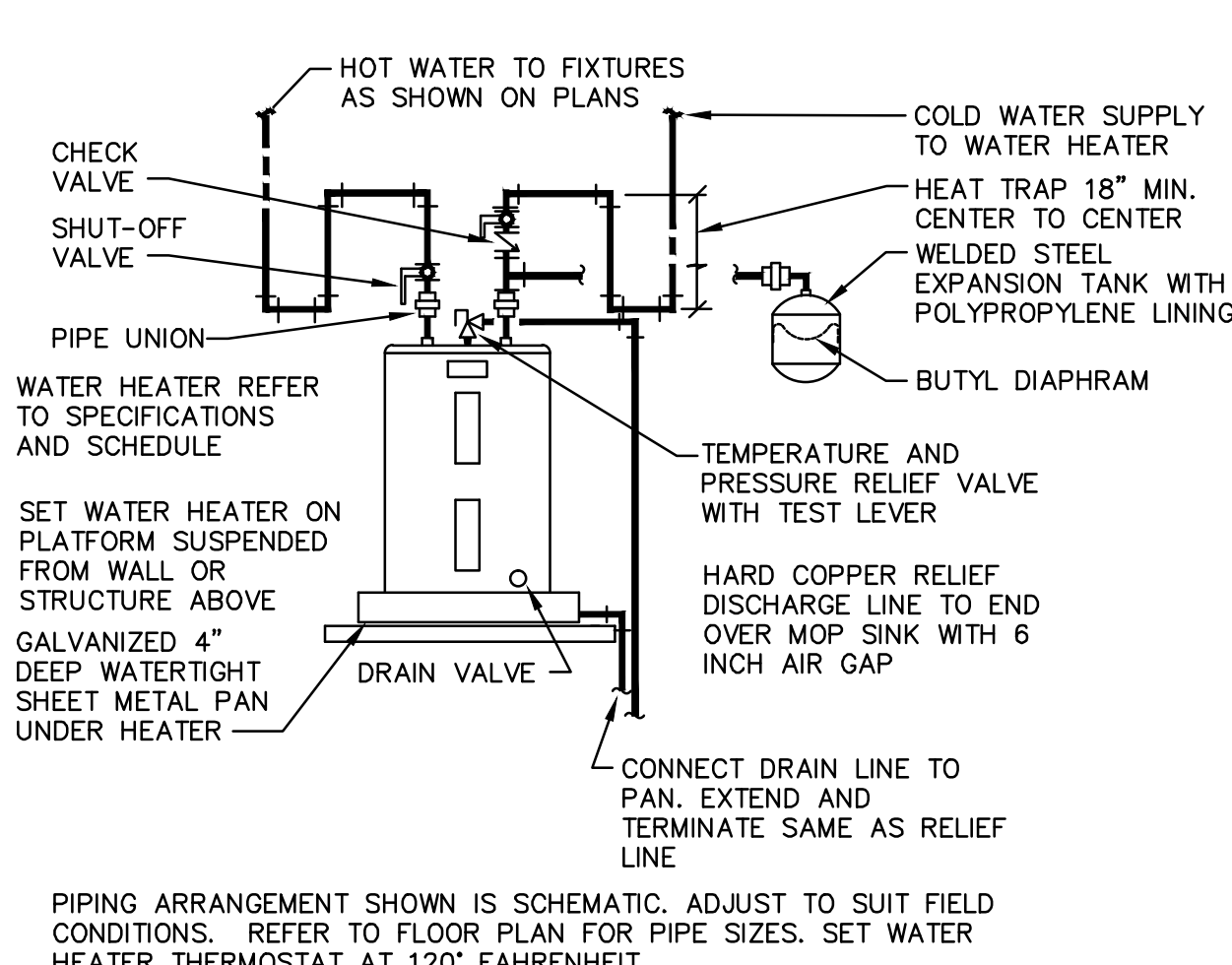
6 TYPICAL CORE AND SLEEVE FOR PIPING DETAIL
NO SCALE



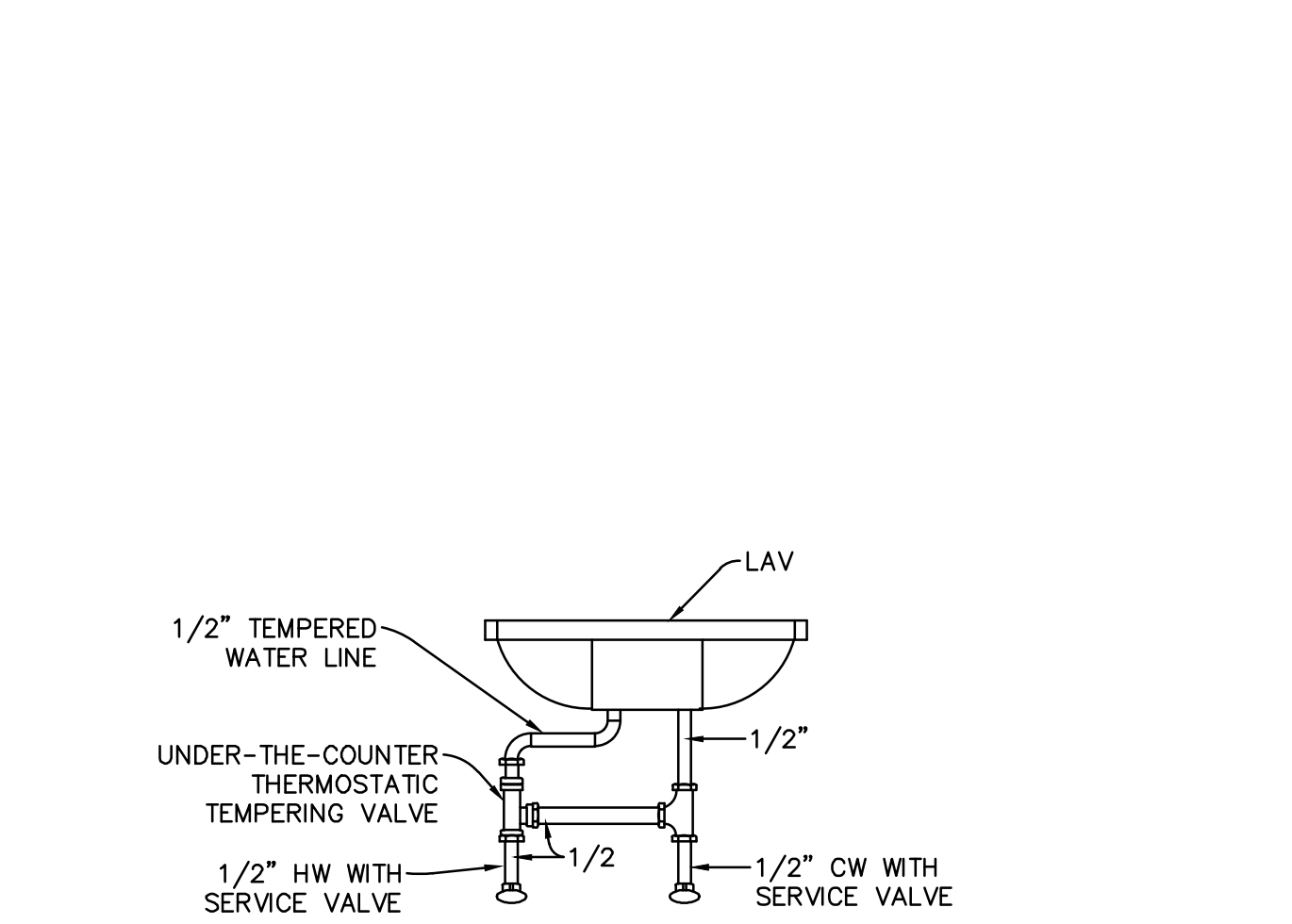
7 WATER HEATER SUPPORT DETAIL
NO SCALE



8 WATER HEATER
NO SCALE



9 THERMOSTATIC TEMPERING VALVE DETAIL
NO SCALE



UNIT NO.	MANUFACTURER	MODEL	KW	CAPACITY (GAL.)	STAGES	VOLTAGE	OUTPUT (GPM @ 90° RISE)	REMARKS
EW-1	A.O. SMITH	DEL-20	3.0	20	1	208/3/60	11	

FIXTURE NO.	FIXTURE TYPE	MANUFACTURER OR EQUAL	TYPE & MODEL NO.	TRIM/FAUCET NO.	SUPPORT	PIPE SIZES				REMARKS	
						TRAP	WASTE	VENT	CW		
P1	WATER CLOSET	AMERICAN STANDARD OR EQUAL	CADET (WHITE) 2467.100	CHICAGO FAUCET 1016	FLOOR MOUNT	-	4"	2"	1/2"	-	1.1 GPF. ELONGATED. SIPHON ACTION JETTED BOWL. ADA COMPLIANT 16-1/2" RIM HEIGHT. PROVIDE BEMIS 1955SSSC OPEN FRONT SEAT & LOOSE KEY ANGLE STOP.
P2	LAVATORY	AMERICAN STANDARD OR EQUAL	DECLYN (WHITE) 0321.075	AMERICAN STAND. 7385.003	FLOOR MOUNT	1-1/4"	1-1/2"	1-1/2"	1/2"	1/2"	PROVIDE CHROME PLATED CAST BRASS P-TRAP W/CLEANOUT, CONCEALED ARMS SUPPORT, 0.5 GPM FLOW CONTROL. (2) CHICAGO FAUCET 1016 ANGLE VALVES, TRUEBRO 102E-Z HANDICAP INSULATION KIT WITH ANGLE SPRAY VALVE, HAND CONTROL VACUUM RELIEF VALVE, AND 68" STAINLESS STEEL HOSE. G.C. TO PROVIDE FRP WALL FINISHES - REFER TO ARCH. PLANS.
P3	MOP BASIN	OR EQUAL	MOLDED STONE MSB-3624	1&S BRASS B-0129-VB	FLOOR MOUNT	3"	3"	1-1/2"	3/4"	3/4"	
P4	HI-LO WATER COOLER	ELKAY OR EQUAL	BARRIER-FREE E27SLBC	-	WALL MOUNT	1-1/2"	1-1/2"	1-1/2"	1/2"	-	STAINLESS STEEL WITH SIENNA BRONZE FINISH CABINET. UNIT TO BE INSTALLED WITH ACCESSORY APRON LKAPREZL FOR ADA COMPLIANCE IF MOUNTED ON EXPOSED WALL.
P5	RECESSED WALL BOX	GUY GRAY OR EQUAL	BIM875	-	WALL MOUNT	-	-	-	1/2"	-	INSTALL CENTERLINE OF BOX 12" ABOVE FINISHED FLOOR.
P6	URINAL	AMERICAN STANDARD OR EQUAL	WASHBROOK (WHITE) 6590.001	SLOAN ROYAL 186-1	WALL MOUNT	-	2"	1-1/2"	3/4"	-	1.0 GPF. TOP SPUD. MOUNT AT A.D.A. HEIGHT.
F1	FLOOR DRAIN	JOSAM OR EQUAL	30000-6A	-	FLOOR MOUNT	3"	3"	1-1/2"	-	-	PROVIDE 1/2" P-TRAP PRIMER CONNECTION WHERE INDICATED ON PLANS

PLUMBING SPECIFICATIONS

THE WORK INCLUDES MODIFICATION TO THE EXISTING PLUMBING SYSTEM AND PROVIDING NEW MATERIALS, FITTINGS AND ACCESSORIES NECESSARY FOR A COMPLETE FUNCTIONING PLUMBING SYSTEM. ALL WORK SHALL BE IN ACCORDANCE WITH LOCAL CODES AND/OR ORDINANCES AND IS SUBJECT TO INSPECTION.

HOOK-UP CHARGES, PERMITS AND ALL OTHER EXPENSES RELATED TO A COMPLETE AND FUNCTIONING PLUMBING SYSTEM ARE INCLUDED AS A PART OF THIS SECTION.

THE INTENT OF THE DRAWINGS IS TO INDICATE THE GENERAL EXTENT OF WORK REQUIRED FOR THE PROJECT. THE DRAWINGS FOR PLUMBING WORK ARE DIAGRAMMATIC, SHOWING THE GENERAL LOCATION, TYPE, FIXTURES AND EQUIPMENT REQUIRED. THE DRAWINGS SHALL NOT BE SCALED FOR EXACT MEASUREMENTS. REFER TO MANUFACTURER'S STANDARD ROUGH-IN DRAWINGS FOR PLUMBING FIXTURE INSTALLATION REQUIREMENTS. COMPLY WITH ALL APPLICABLE ADA INSTALLATION REQUIREMENTS.

COORDINATE WITH THE WORK OF OTHER SECTIONS, EQUIPMENT FURNISHED BY OTHERS, AND WITH THE CONSTRAINTS OF THE EXISTING CONDITIONS OF THE PROJECT SITE.

PIPING SYSTEMS - GENERAL: ALL PIPING SHALL BE RUN PARALLEL TO BUILDING LINES AND SUPPORTED AND ANCHORED AS REQUIRED TO FACILITATE EXPANSION AND CONTRACTION. ALL PIPING SHALL BE CONCEALED EXCEPT IN UNFINISHED SPACES. INSTALL AS REQUIRED TO MEET ALL CONSTRUCTION CONDITIONS AND TO ALLOW FOR INSTALLATION OF OTHER WORK SUCH AS DUCTS AND ELECTRICAL CONDUIT. AT ALL CONNECTIONS BETWEEN FERROUS PIPING AND NONFERROUS PIPING, PROVIDE AN ISOLATING DIALECTIC UNION. ALL HANGERS SHALL BE COMPATIBLE WITH PIPING MATERIAL TO PREVENT CORROSION.

PROVIDE ALL FITTINGS, ACCESSORIES, OFFSETS, AND MATERIALS NECESSARY TO FACILITATE THE PLUMBING SYSTEM'S FUNCTIONING AS INDICATED BY THE DESIGN AND THE EQUIPMENT INDICATED.

FIXTURES/EQUIPMENT FURNISHED BY OTHERS: PLUMBING CONTRACTOR SHALL PROVIDE UTILITY CONNECTIONS REQUIRED SUCH AS WATER, GAS, AIR, SUPPLIES, SINKS, WASTE OUTLET, TRAPS, ETCETERAS AT ALL PLUMBING TYPE FIXTURES OR EQUIPMENT FURNISHED BY OWNER, GENERAL CONTRACTOR, ETCETERA. INCLUDED ARE STOP VALVES, ESCUTCHEONS, AND CHROME PLATED BRASS TUBING WITH COMPRESSION FITTINGS.

SEWER AND WASTE PIPING: PROVIDE ALL DRAINS AND SEWERS WITHIN THE LEASED SPACE WITH CONNECTION TO THE LANDLORD'S EXISTING DRAINAGE SYSTEMS ON-SITE. SANITARY DRAINAGE PIPING ABOVE FLOOR SHALL BE HUBLESS CAST-IRON PIPE, FITTINGS AND CONNECTIONS. SANITARY DRAINAGE PIPING BELOW GRADE SHALL BE SERVICE-WEIGHT HUB AND SPIGOT TYPE CAST IRON WITH NEOPRENE GASKET JOINTS. ALL DRAINAGE PIPING SHALL BE UNIFORMLY PITCHED, 1/4" PER FOOT FOR PIPE SIZES 3" AND SMALLER, 1/8" PER FOOT FOR PIPE SIZES 4" AND LARGER, UNLESS OTHERWISE REQUIRED BY EXISTING CONDITIONS, OR INDICATED ON THE DRAWINGS.

VENTS: PROVIDE A COMPLETE SYSTEM OF STANDARD WEIGHT CAST IRON NO-HUB VENT RISERS WHERE THE CEILING SPACE IS USED AS A RETURN AIR PLENUM OR USE DWV PLASTIC (WHERE PERMITTED BY CODE/LOCAL AUTHORITIES). WHERE THERE IS A DUCTED RETURN AIR SYSTEM, DO NOT USE DWV PLASTIC IN RETURN AIR PLENUM SPACES. THE VENT SYSTEM SHALL BE CARRIED THROUGH THE ROOF WITH APPROPRIATE FLASHING.

CONDENSATE AND INDIRECT DRAIN PIPING: EXTERIOR CONDENSATE DRAIN PIPING SHALL BE SCHEDULE 40 PVC, INTERIOR CONDENSATE DRAIN PIPING SHALL BE TYPE M COPPER TUBING UP TO 1" ID, TYPE DWV TUBING AND FITTINGS FOR 1-1/4" AND LARGER SIZES.

STORM WATER PIPING: PROVIDE ALL STORM DRAINS AND PIPING WITHIN THE PROJECT SPACE WITH CONNECTION TO THE EXISTING STORM DRAINAGE SYSTEMS ON-SITE. SANITARY DRAINAGE PIPING ABOVE FLOOR SHALL BE HUBLESS CAST IRON PIPE, FITTINGS, AND CONNECTIONS. SANITARY DRAINAGE PIPING BELOW GRADE SHALL BE SERVICE-WEIGHT HUB AND SPIGOT TYPE CAST IRON WITH NEOPRENE GASKET JOINTS. ALL DRAINAGE PIPING SHALL BE UNIFORMLY PITCHED MINIMUM 1/8" PER FOOT UNLESS OTHERWISE REQUIRED BY EXISTING CONDITIONS, AHJ, OR INDICATED ON THE DRAWINGS.

CLEANOUTS: PROVIDE CLEANOUTS AT THE END OF EACH HORIZONTAL RUN, AND AT THE BASE OF ALL VERTICAL WASTE AND VENT PIPES. CLEANOUTS SHALL BE OF THE SAME SIZE AS THE PIPES THEY SERVE, CONFORMING TO CODE REQUIREMENTS. PROVIDE SUITABLE WALL OR FLOOR CLEANOUTS WITH ACCESSORIES TO OBTAIN VIEW.

WATER DISTRIBUTION PIPING: LAYOUT WATER PIPING SO THAT THE ENTIRE SYSTEM CAN BE DRAINED. ABOVE GRADE HOT AND COLD WATER PIPING SHALL BE 1/2" MINIMUM TYPE L COPPER TUBING WITH WROUGHT COPPER FITTINGS AND SWEAT CONNECTIONS. BELOW GRADE HOT AND COLD WATER PIPING SHALL BE 1/2" MINIMUM TYPE K COPPER TUBING WITH WROUGHT COPPER FITTINGS, AND SWEAT CONNECTIONS. PROVIDE WATER HAMMER ARRESTERS AT EACH FIXTURE OR GROUP OF FIXTURES AS REQUIRED. INSTALL CHROME PLATED BRASS ESCUTCHEON PLATES AT ALL PENETRATIONS THROUGH FINISHED SURFACES (INCLUDING CABINET INTERIORS). USE TIN-ANTIMONY SOLDER, 95/5 FOR ALL SWEAT FITTINGS OF COPPER PIPING.

PIPE INSULATION: RIDGE ONE-PIECE FIBERGLASS PIPE INSULATION WITH REQUIREMENTS COMPLYING WITH ASTM C 547, SELF-SEALING ADHESIVE LAP LONGITUDINAL JOINTS AND BUTT STRIPS FOR TRANSVERSE JOINTS. INSTALL TO CONFORM TO ASTM E 98. THERMAL TRANSMISSION RATING OF 0.20 PERM WHEN TESTED ACCORDING TO ASTM E 96, PROCEDURE A. (K VALVE) 0.25 BTU * IN. / HR. * FT2 * F AT 75F MEAN TEMPERATURE. PROVIDE INSULATION THICKNESS AS INDICATED.

DOMESTIC COLD WATER PIPING 1" AND SMALLER: 1/2" THICKNESS
DOMESTIC COLD WATER PIPING 1-1/4" - 2": 3/4" THICKNESS
PLUMBING VENT PIPING WITHIN 6 FEET OF ROOF OUTLET: 1" THICKNESS
STORM WATER PIPING: 1" THICKNESS
CONDENSATE PIPING: 1/2" THICKNESS
DOMESTIC HOT WATER PIPING 2" AND SMALLER: 1" THICKNESS

HOT WATER AND WASTE PIPING BELOW HANDICAP LAVATORIES/SINKS:
PIPE INSULATION: FLEXIBLE, ONE PIECE, EXPANDED CLOSED-CELL ELASTOMERIC PIPE INSULATION WITH REQUIREMENTS COMPLYING WITH ASTM C 518, SELF-SEALING, WITH A MAXIMUM VAPOR TRANSMISSION RATING OF 0.20 PERM WHEN TESTED ACCORDING TO ASTM E 98. THERMAL CONDUCTIVITY (K VALVE) SHALL NOT EXCEED 0.27 BTU * IN. / HR. * FT2 * F AT 75F MEAN TEMPERATURE, AND INSULATION AND JACKET SHALL BE RATED FOR OPERATING TEMPERATURES FROM 40F TO 180F. PROVIDE INSULATION THICKNESS AS INDICATED.

DOMESTIC COLD WATER PIPING 1" AND SMALLER: 1/2" THICKNESS
DOMESTIC COLD WATER PIPING 1-1/4" - 2": 3/4" THICKNESS
PLUMBING VENT PIPING WITHIN 6 FEET OF ROOF OUTLET: 1" THICKNESS
STORM WATER PIPING: 1" THICKNESS
CONDENSATE PIPING: 1/2" THICKNESS
DOMESTIC HOT WATER PIPING 2" AND SMALLER: 1" THICKNESS

PROVIDE HANDICAP INSULATION KITS FOR ALL HOT WATER AND WASTE PIPING BELOW HANDICAP LAVATORIES/SINKS.

SHUTOFF VALVES, WITH UNIONS SHALL BE PROVIDED FOR SERVICE TO EACH PLUMBING FIXTURE, FOOD SERVICE EQUIPMENT ITEM OR OTHER EQUIPMENT ITEM, TO FACILITATE ISOLATION FOR REPAIR OR REPLACEMENT. VALVES SHALL BE EQUAL TO CRANE #9302-9322 BALL VALVE. CONSTRUCTION - TWO PIECE, BRONZE BODY, FULL PORTED, CHROME PLATED BRASS BALL, REPLACEABLE "TEFLON OR TFE" SEATS AND SEALS. RATING - 150 PSI WSP, 600 PSI WOG. CONNECTIONS - SOLDER OR THREADED ENDS TO MATCH PIPING. STANDARDS COMPLIANCE - BRONZE OR BRASS VALVES: MSS-SP-110.

ACCESS PANELS SHALL BE PROVIDED WHERE CONCEALED CONTROL DEVICES, VALVES, ETCETERA ARE CONCEALED WITHIN WALLS. WHERE ACCESS FOR ADJUSTMENT AND MAINTENANCE IS POSSIBLE THROUGH LAY-IN SUSPENDED CEILINGS, ACCESS PANELS ARE NOT REQUIRED.

INSTALLATION: THOROUGHLY CLEAN ITEMS BEFORE INSTALLATION. CAP PIPE OPENINGS TO EXCLUDE DIRT UNTIL FIXTURES ARE INSTALLED AND FINAL CONNECTIONS HAVE BEEN MADE. PROCEED AS RAPIDLY AS CONSTRUCTION WILL PERMIT. SET FIXTURES LEVEL AND IN PROPER ALIGNMENT. INSTALL SUPPLIES IN PROPER ALIGNMENT WITH FIXTURES. INSTALL SILICONE SEALANT BETWEEN FIXTURES AND ADJACENT MATERIAL, FOR SANITARY JOINT, AND OMIT ESCUTCHEONS.

REPAIR EXISTING PLUMBING SYSTEM COMPONENTS DAMAGED BY CONSTRUCTION OPERATIONS AND RESTORE TO ORIGINAL CONDITIONS.

TEST WATER SYSTEM UNDER 150 PSIG HYDROSTATIC PRESSURE, FOR FOUR (4) HOURS MINIMUM. WHEN TESTING INDICATES MATERIALS OR WORKMANSHIP IS DEFICIENT, REPLACE OR REPAIR AS REQUIRED, AND REPEAT TEST UNTIL STANDARDS ARE ACHIEVED.

TEST SANITARY DRAINAGE AND VENT SYSTEM BY FILLING WITH WATER, WITH ALL POINTS IN THE SYSTEM BEING SUBJECT TO PRESSURE OF AT LEAST 10' OF WATER. WATER LEVEL SHALL REMAIN STATIONARY FOR A PERIOD OF ONE HOUR, WITHOUT ANY PIPE OR JOINT LEAKAGE. IF TESTING INDICATES DEFICIENCIES REPLACE OR REPAIR AS REQUIRED, AND REPEAT TEST UNTIL STANDARDS ARE ACHIEVED.

INSULATE: ROOF DRAIN BODIES, INDIVIDUAL RAIN WATER LEADERS, AND HORIZONTAL RAIN WATER PIPING WITH 1-IN. HEAVY DENSITY FIBERGLASS PIPE INSULATION HAVING A FACTORY-APPLIED ALL-SERVICE JACKET WITH DOUBLE SELF-SEALING LAP, OWENS-CORNING FIBERGLASS ASJ/SSL-II, OR EQUAL.

ROOF DRAINS: JOSAM SERIES 21500, OR APPROVED EQUAL. COATED CAST IRON WITH LARGE POLYPROPYLENE LOCKING DOME, NON-PUNCTURING CLAMP RING WITH INTEGRAL GRAVEL STOP, LARGE SUMP WITH WIDE FLANGE AND BOTTOM OUTLET, AND PIPE OUTLET SIZE SHOWN ON DRAWINGS.

NewStudio
4431 Lake Avenue South
White Bear Lake, MN 55110
p: 651.207.5527 f: 651.207.8247

ANTHROPOLOGIE
60 Pearl Street
Portland, ME 04101

HALLBERG ENGINEERING
Mechanical/Electrical Consulting Engineers
1750 Commerce Court, White Bear Lake, MN 55110
(651) 748-1100 • Fax (651) 748-9370

DRAWN BY: MDB CHECKED BY: CDS/RLL
NSA PROJECT NUMBER: 2013-99
PROJECT PHASE: CD
HEI PROJECT NUMBER: R14-1941-000

ISSUE / DATE:
100% CHECKSET 07-11-2014
BID/PERMIT 08-01-2014
REVISION 1 - CITY COMMENTS 09-19-2014

REVISION:

SHEET TITLE:
PLUMB. DETAILS, SCHEDULES & SPECIFICATIONS

SHEET NO.:
P200