

ARCHITECTS  
I hereby certify that this plan, specification, or report was prepared by me or under my direct supervision and that I am a duly Licensed Architect under the laws of the State of Maine.

Print Name: Sean M. Wagner, AIA

Date: 09-22-2014 License #: ARC4112

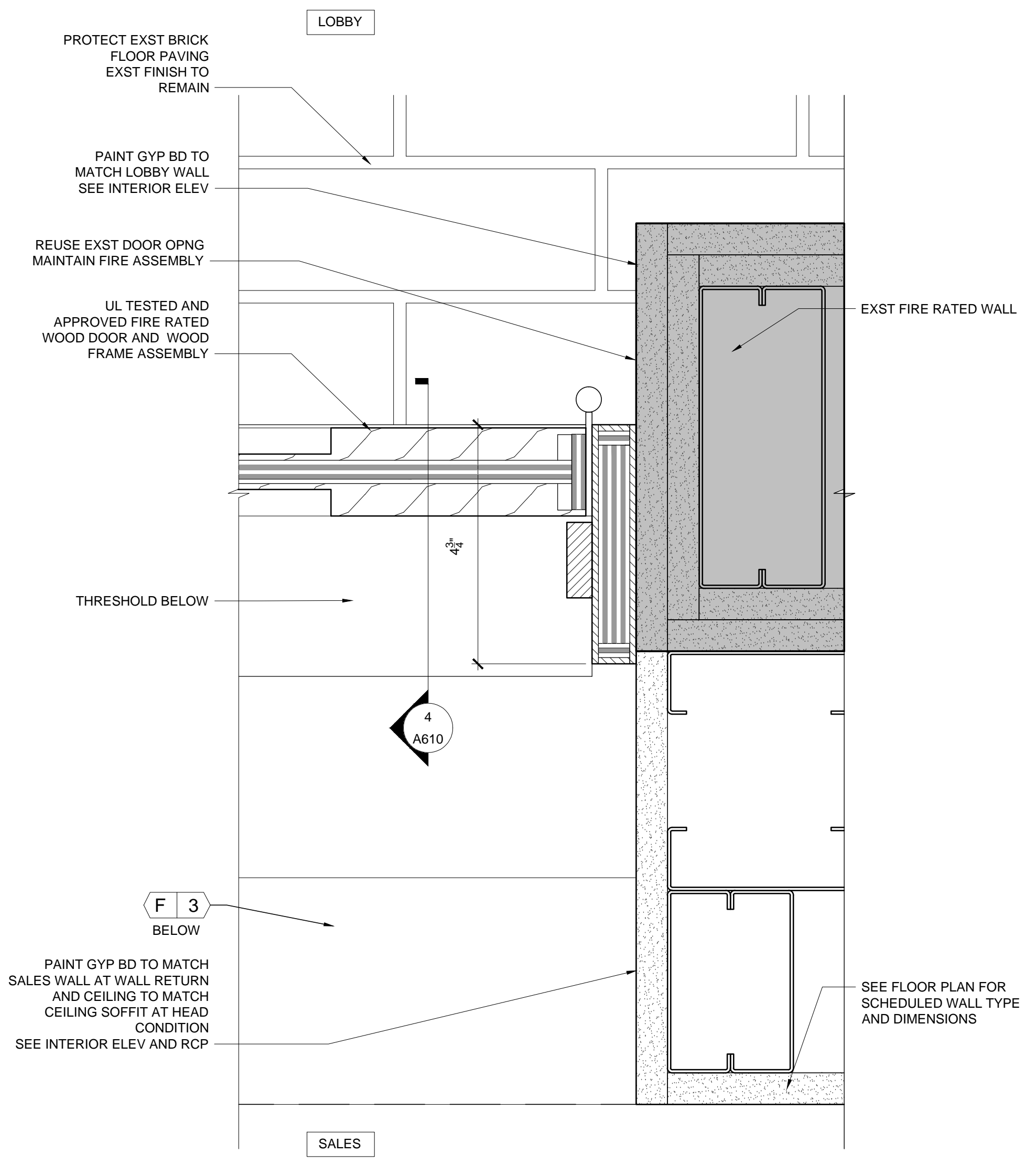
**NewStudio**Architecture

4431 Lake Avenue South  
White Bear Lake, MN 55110

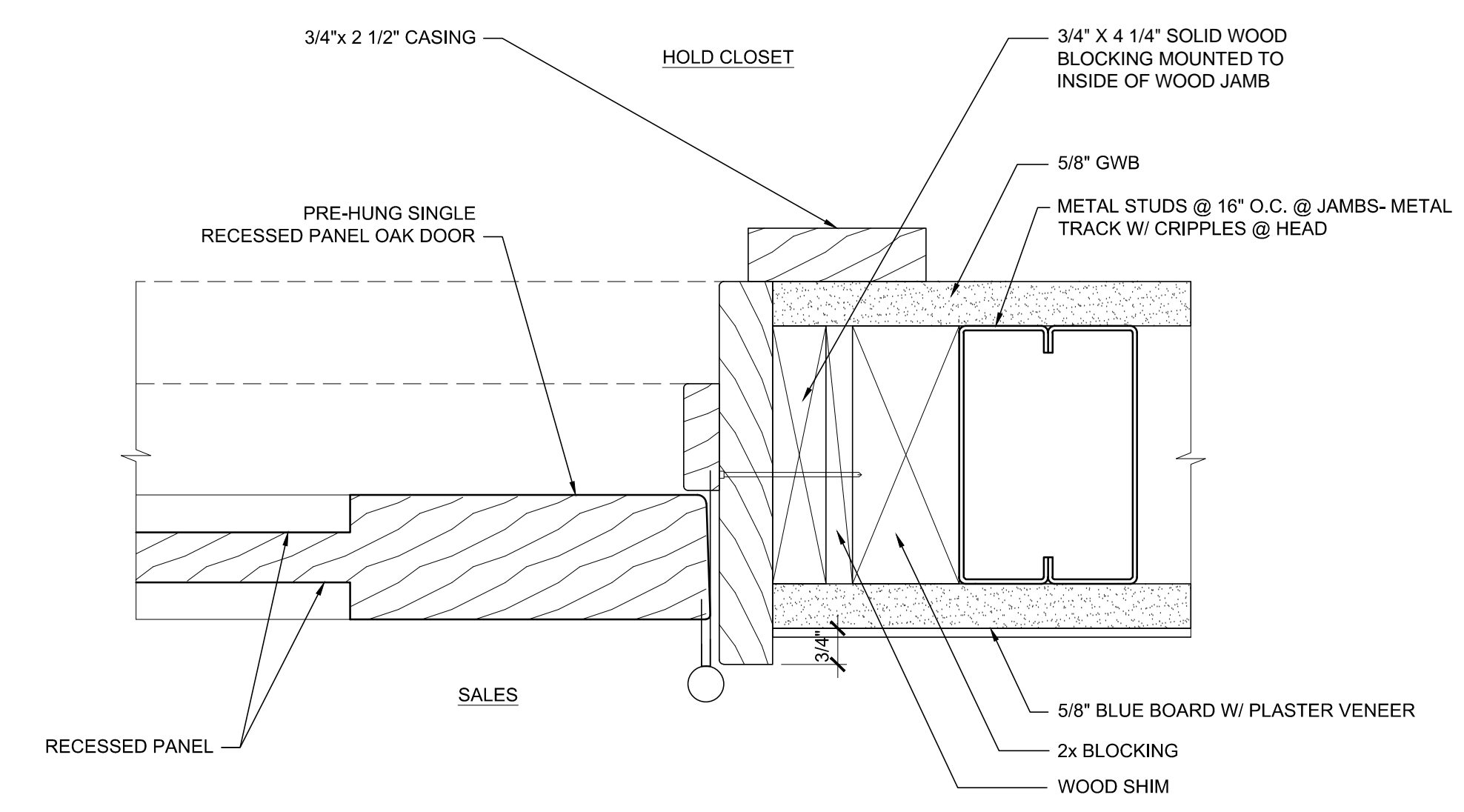
p: 651.207.5527 f: 651.207.8247

**ANTHROPOLOGIE**

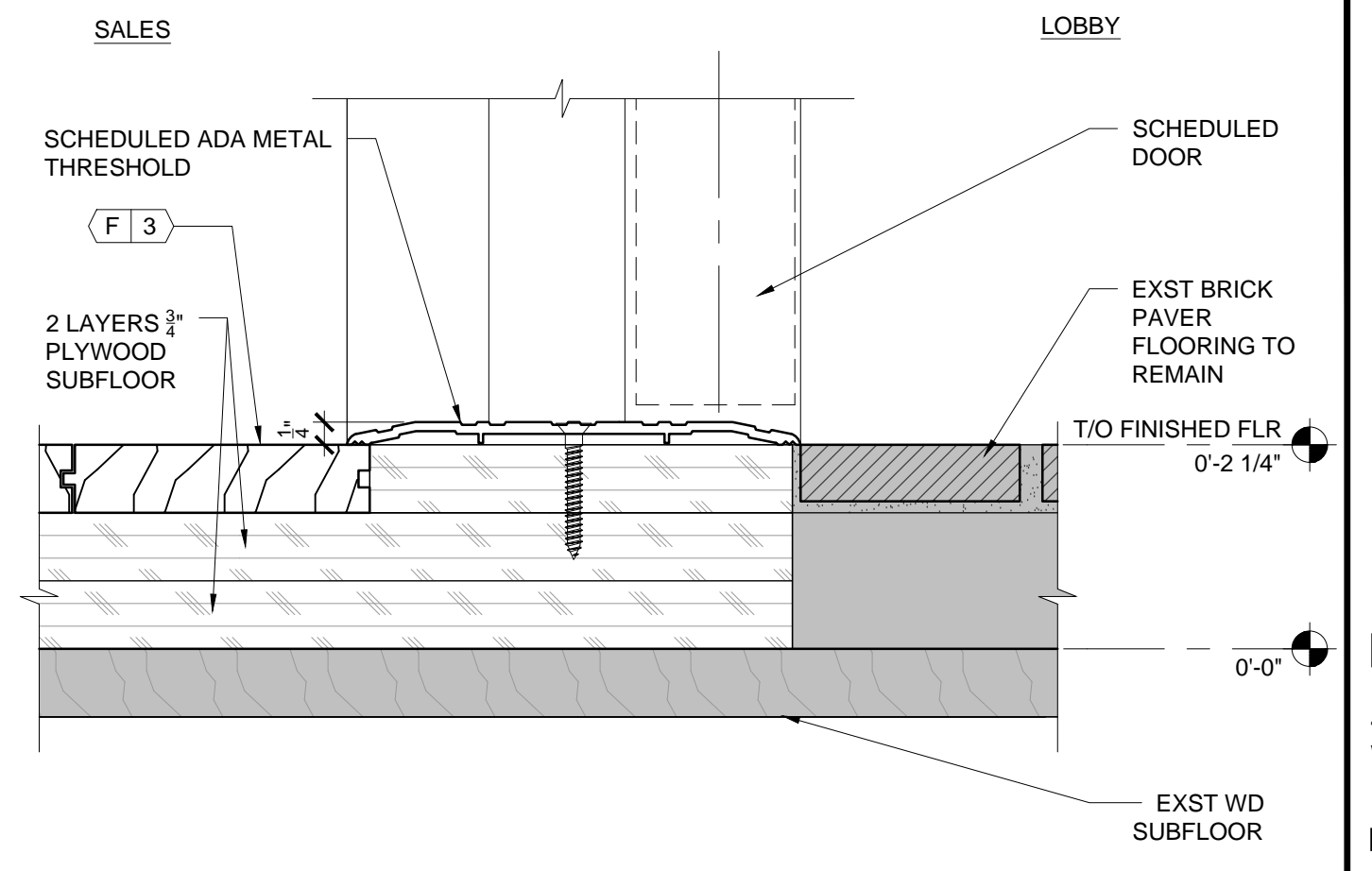
60 Pearl Street  
Portland, ME 04101



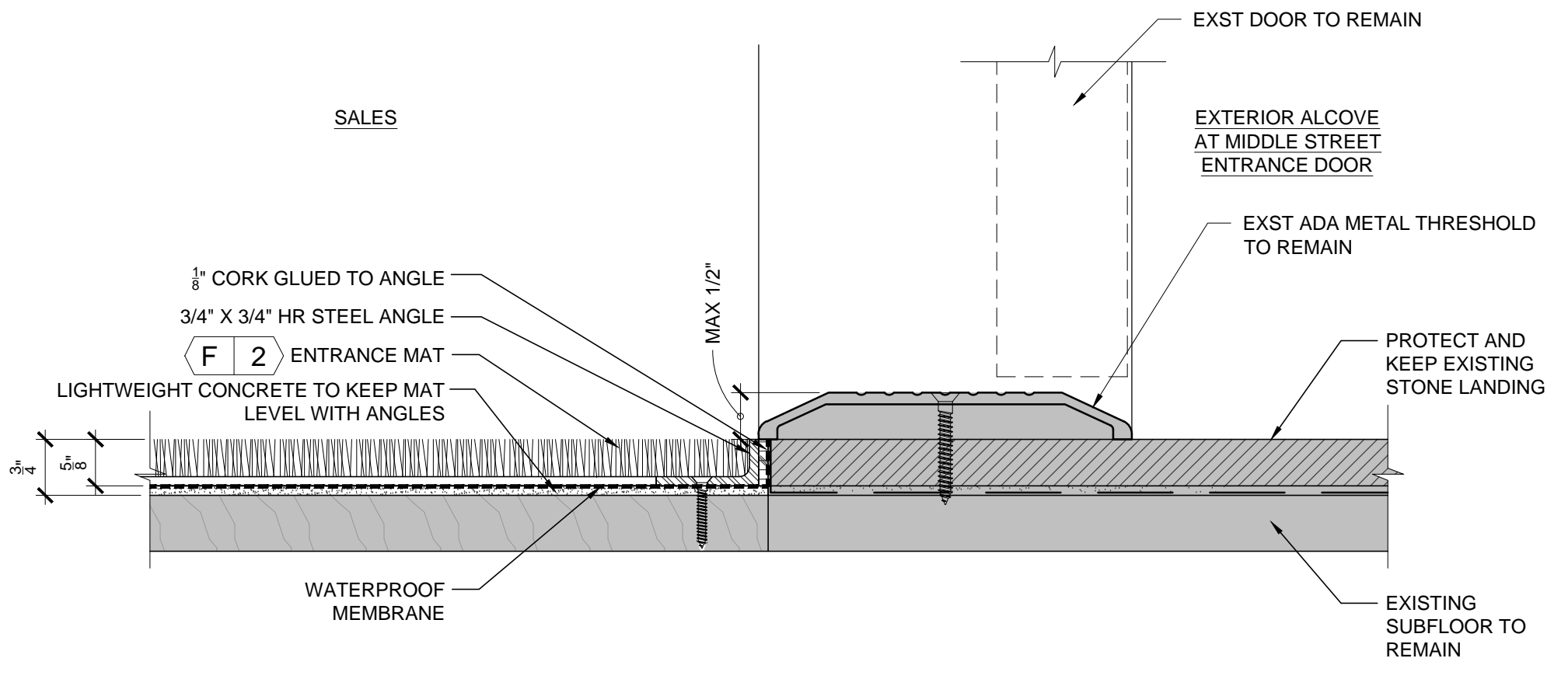
11 WOOD FIRE DOOR HEAD/JAMB  
A610 SCALE: 6" = 1'-0"



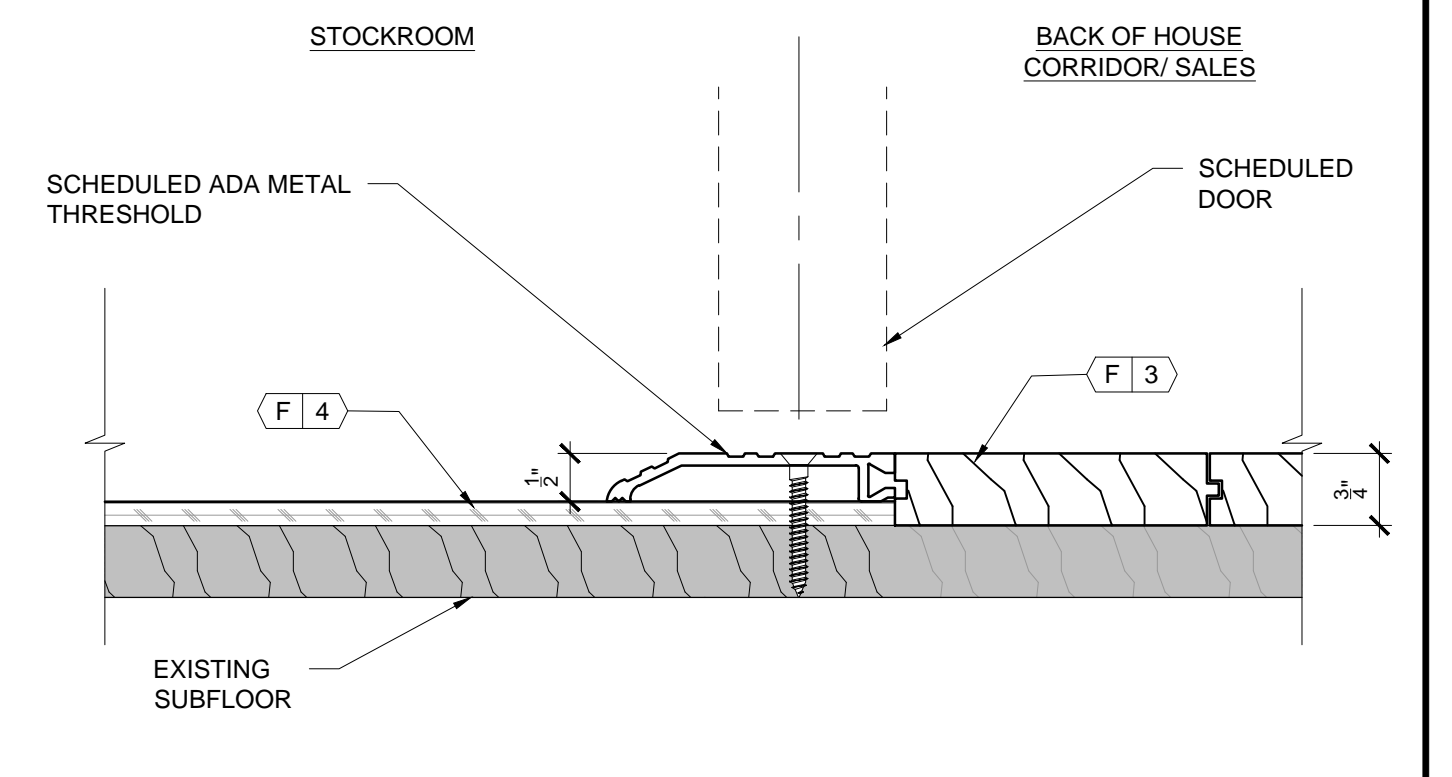
8 HOLD CLOSET DOOR HEAD/JAMB  
A610 SCALE: 6" = 1'-0"



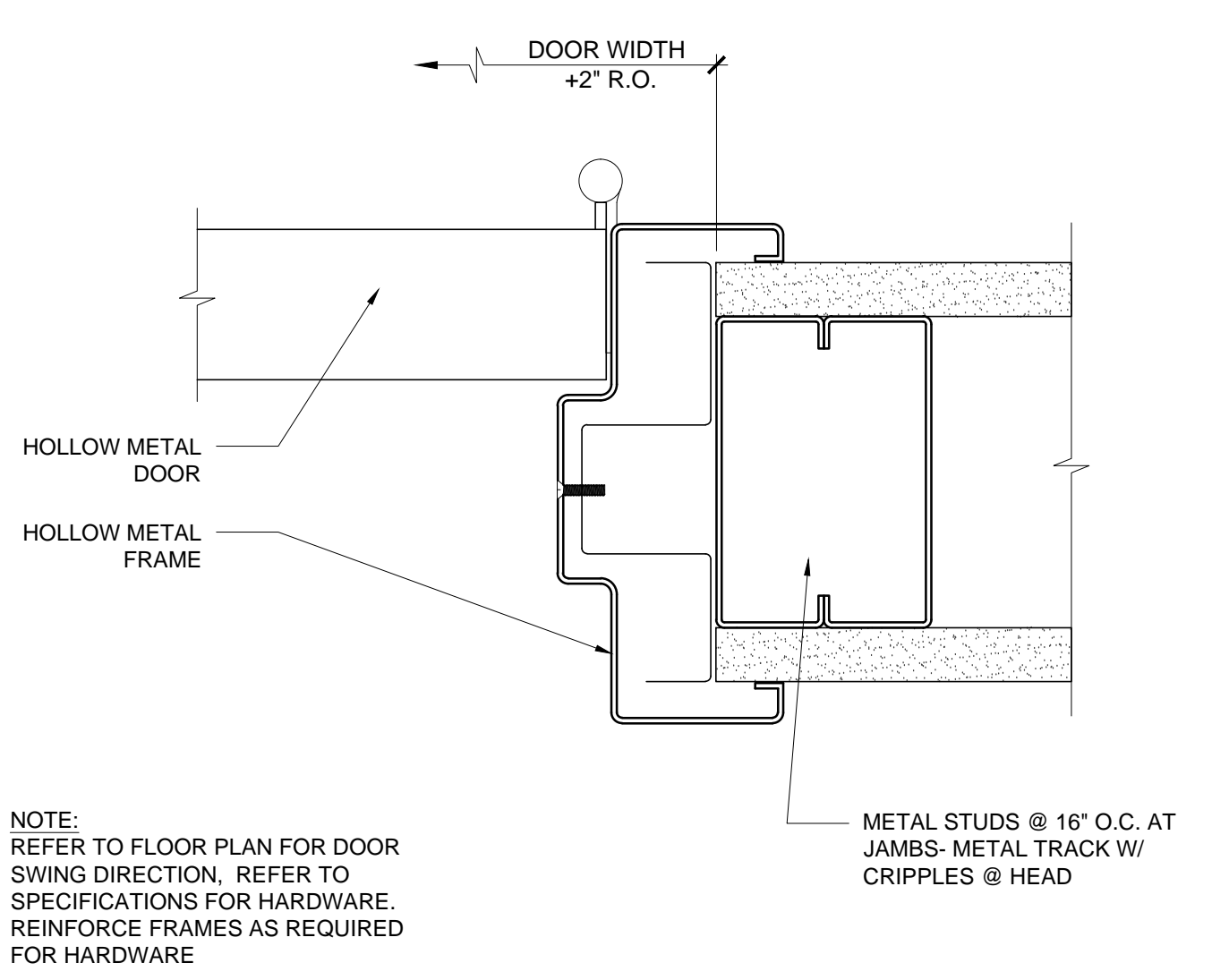
4 LOBBY TO SALES  
A610 SCALE: 6" = 1'-0"



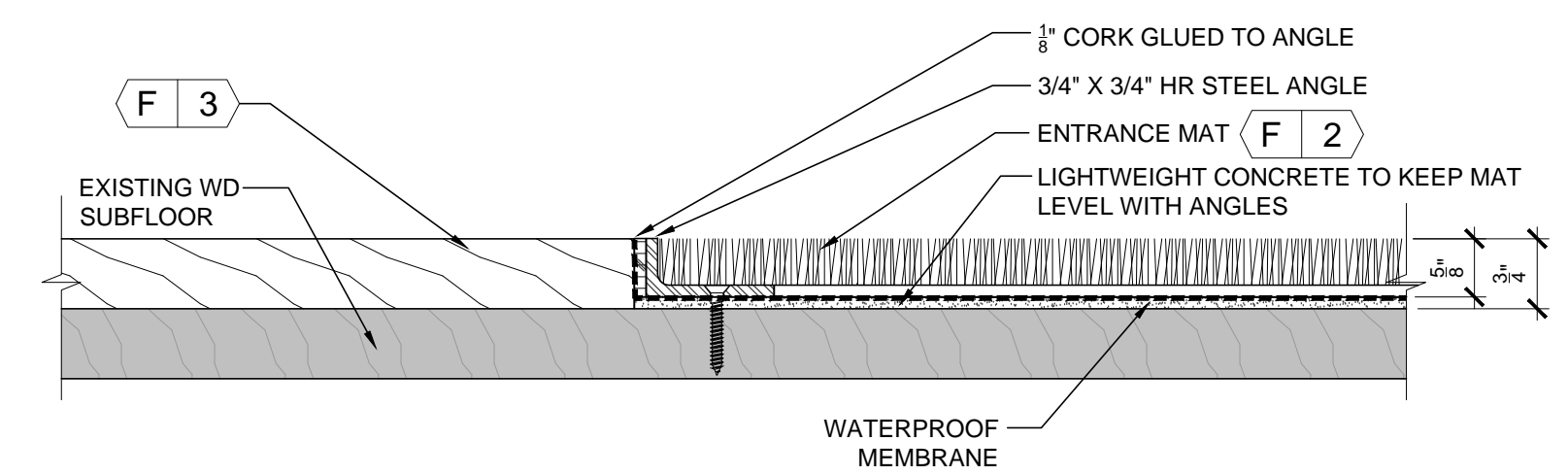
7 ENTRY DOOR THRESHOLD  
A610 SCALE: 6" = 1'-0"



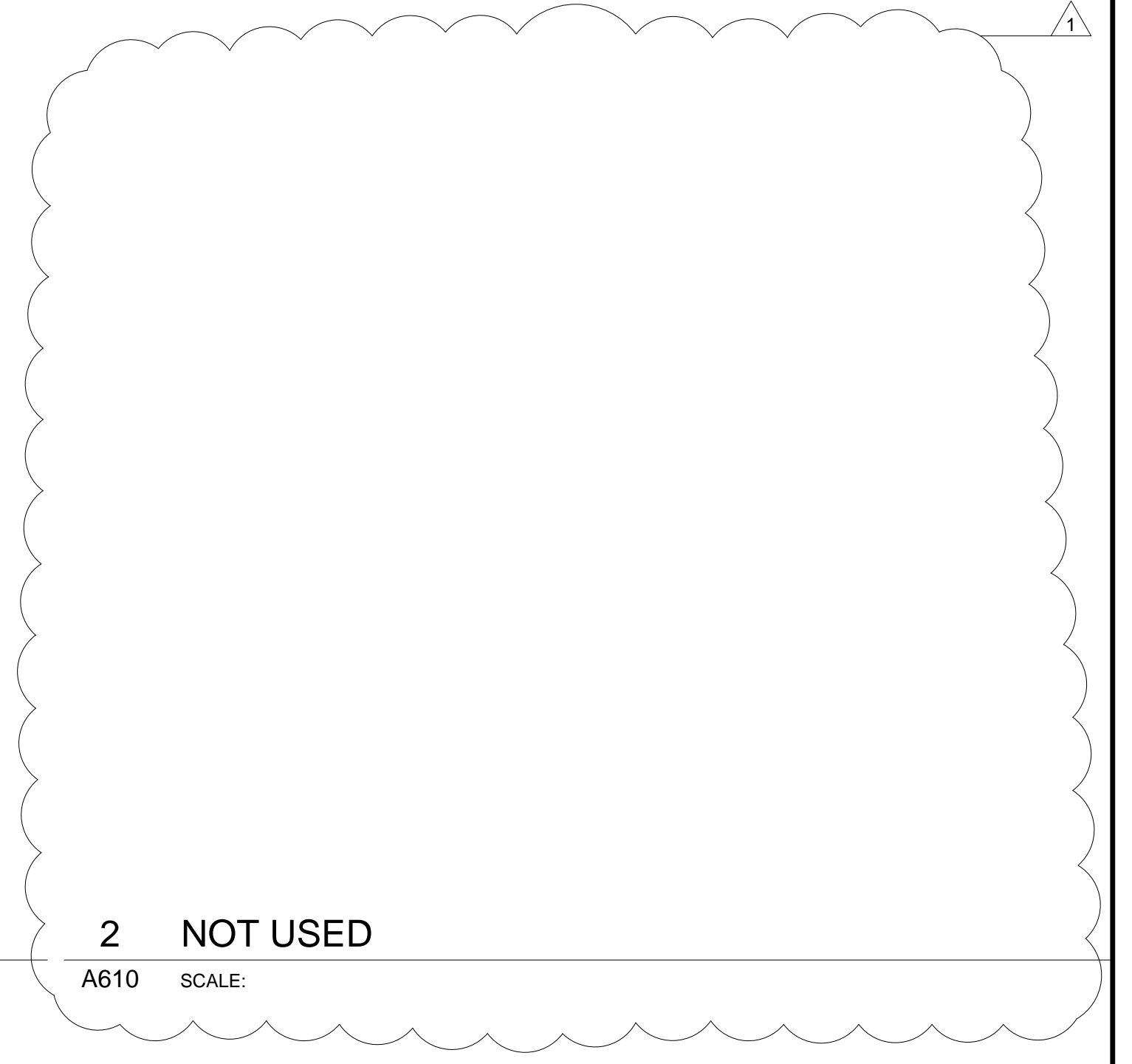
3 WOOD FLOOR TO PLY OVERLAY AT STOCKROOMS  
A610 SCALE: 6" = 1'-0"



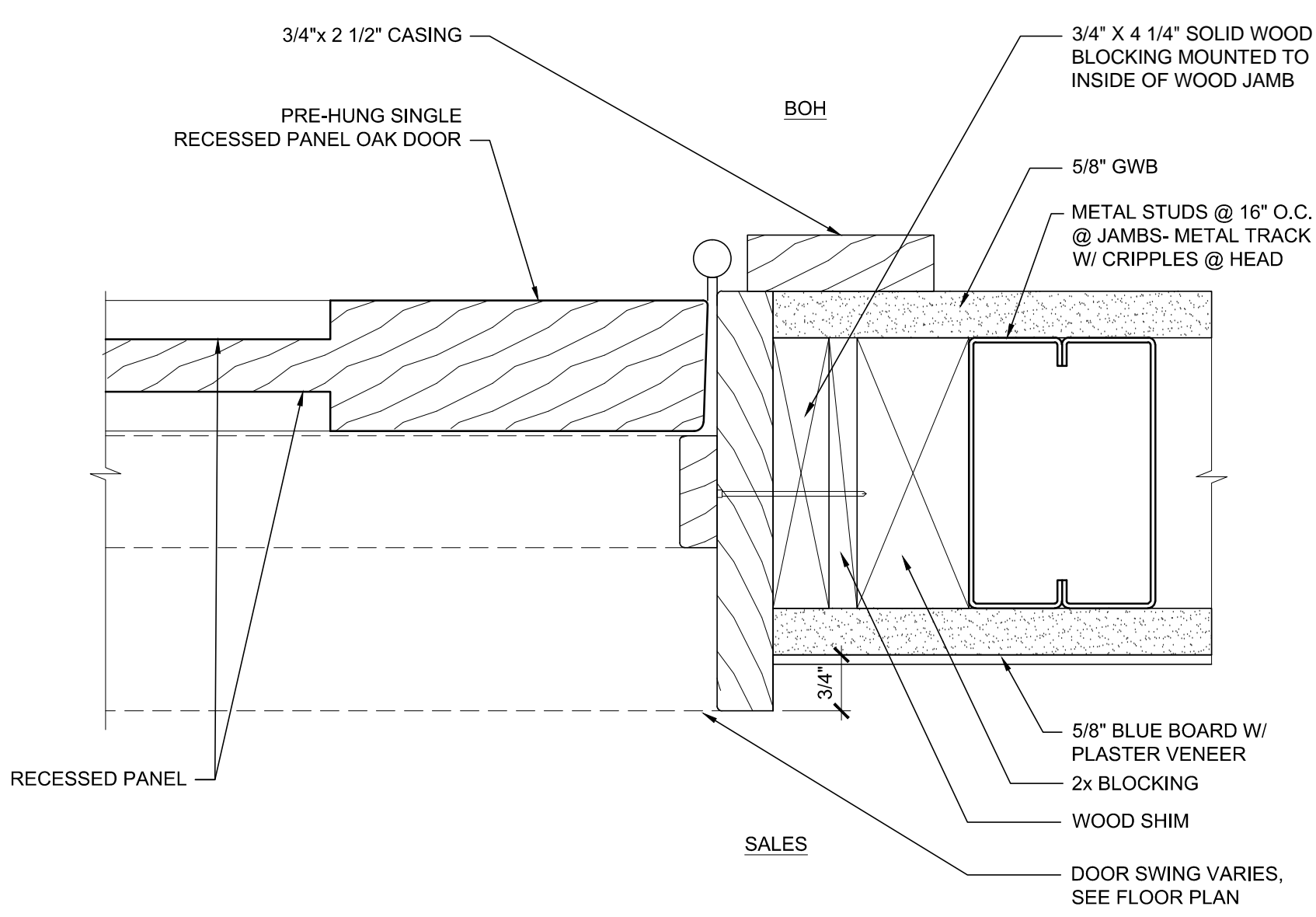
10 H.M. DOOR HEAD/JAMB  
A610 SCALE: 6" = 1'-0"



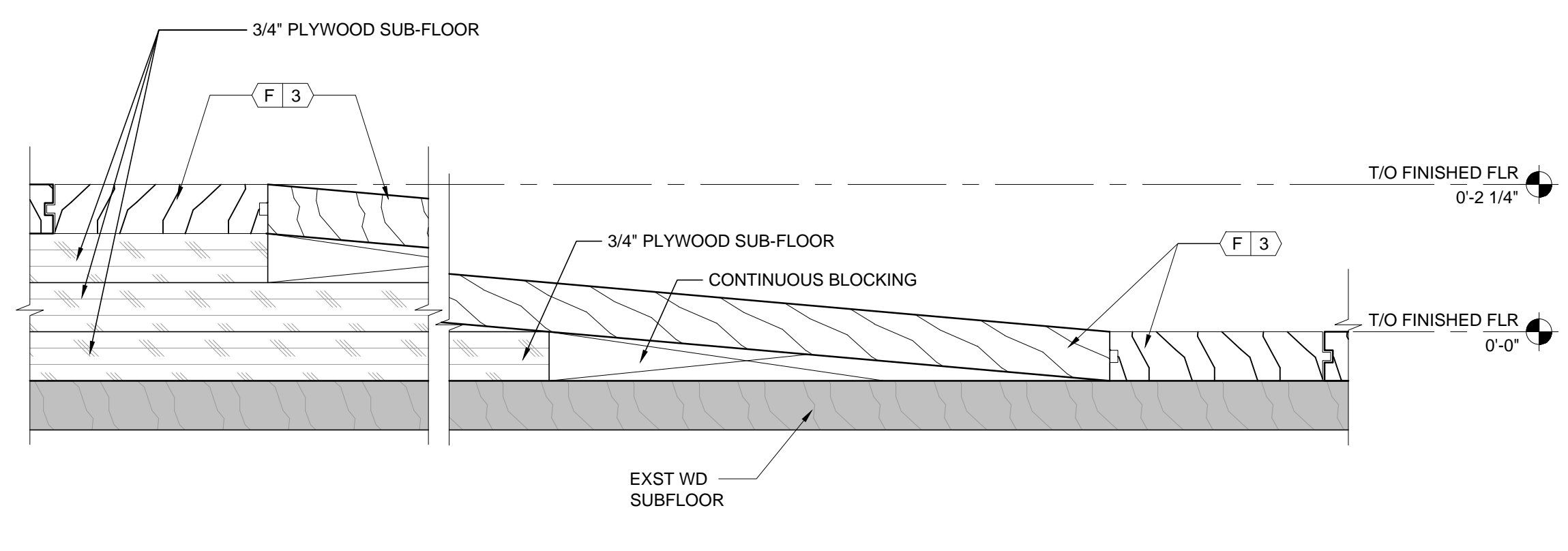
6 WOOD FLOOR TO COCOA MAT  
A610 SCALE: 6" = 1'-0"



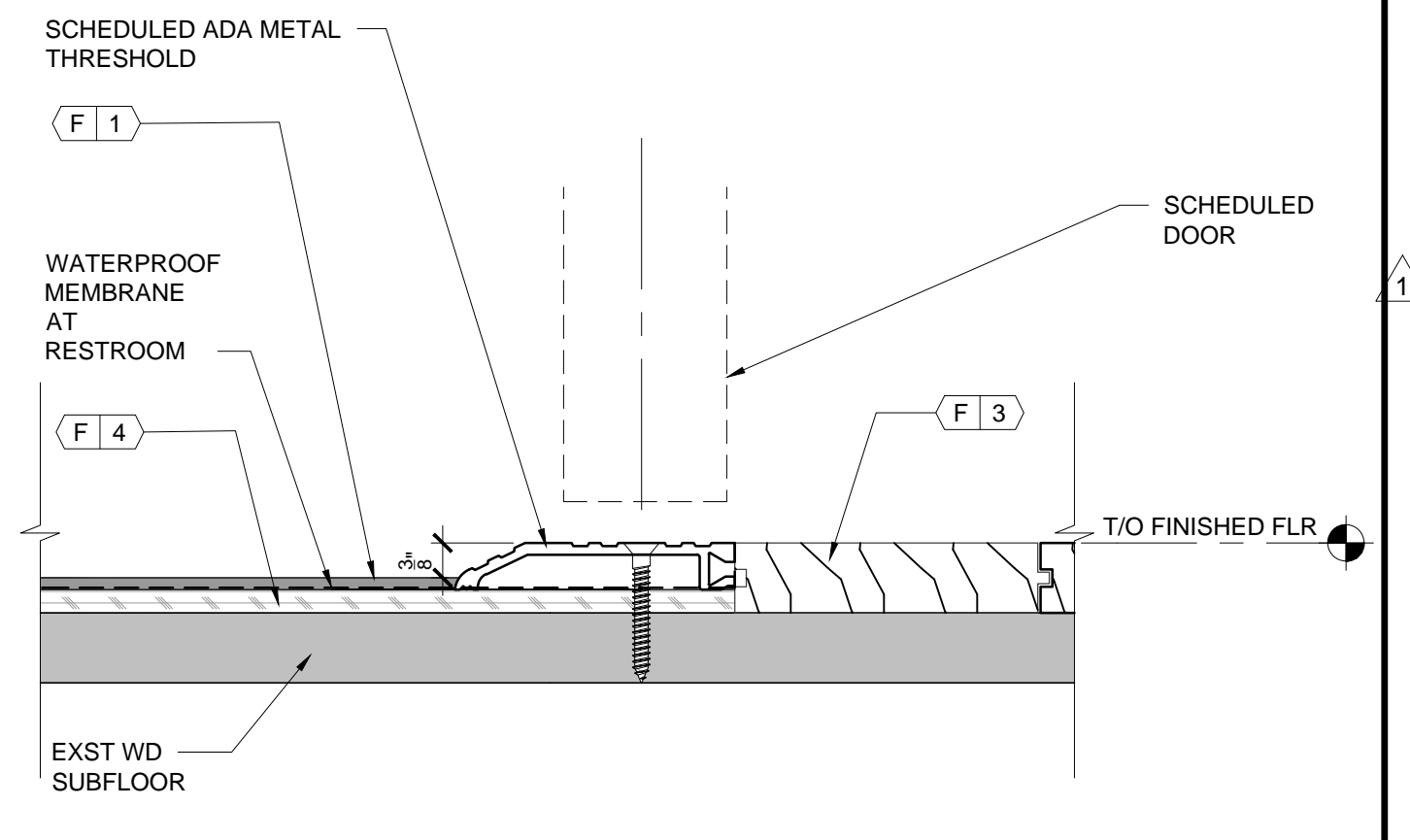
2 NOT USED  
A610 SCALE:



9 SALES TO BOH DOOR HEAD/JAMB  
A610 SCALE: 6" = 1'-0"



5 FLOOR TRANSITION: SLOPED WALK  
A610 SCALE: 6" = 1'-0"



1 WOOD FLOOR TO VCT  
A610 SCALE: 6" = 1'-0"

DRAWN BY: BH CHECKED BY: SMW  
NSA PROJECT NUMBER: 2013-99  
PROJECT PHASE: CD

ISSUE / DATE:

100% CHECKSET 07-11-2014  
BID/PERMIT 08-01-2014

REVISION:  
1 REVISION 1 - CITY COMMENTS 09-19-2014

SHEET TITLE:  
DOOR, THRESHOLD, & FLOOR TRANSITION DETAILS  
SHEET NO.:

**A610**