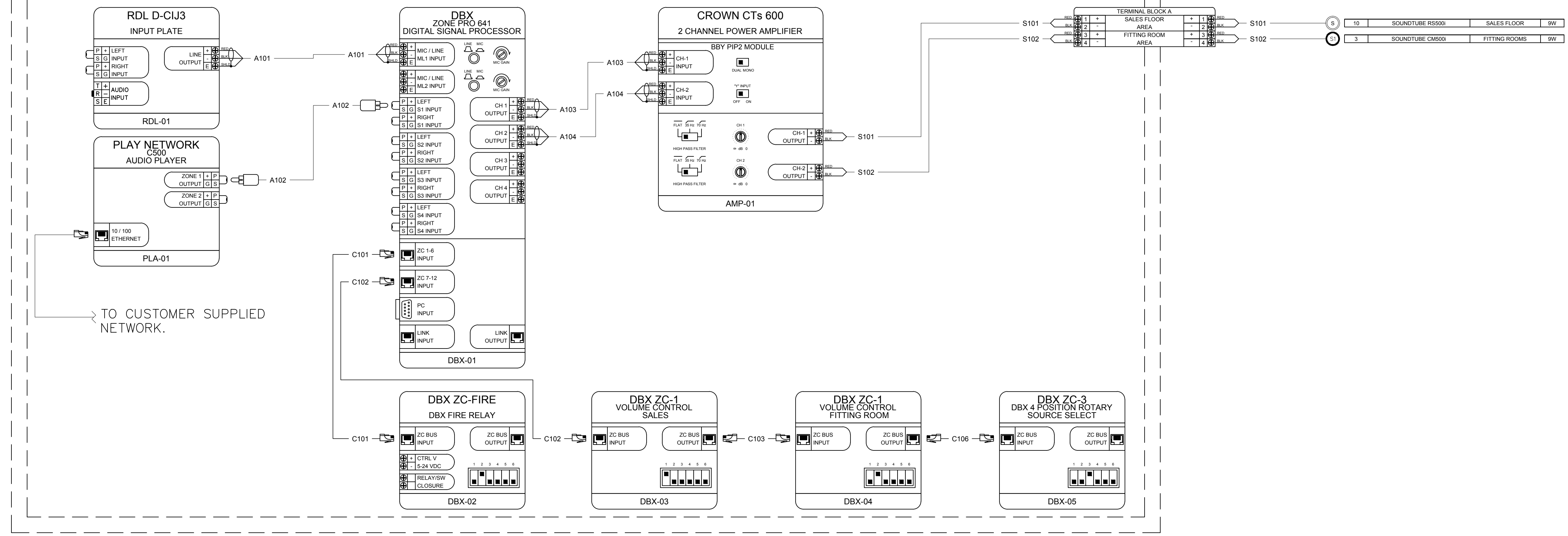


MANAGER'S OFFICE  
INSIDE EQUIPMENT RACK



1 WIRING DIAGRAM

V201 SCALE: NTS

DRAWN BY: WF CHECKED BY: SWM

NSA PROJECT NUMBER: 2013-99

PROJECT PHASE: CD

ISSUE / DATE:

100% CHECKSET 07-11-2014

BID/PERMIT 08-01-2014

REVISION:

SHEET TITLE:  
PLAYNETWORK

SHEET NO:

V201