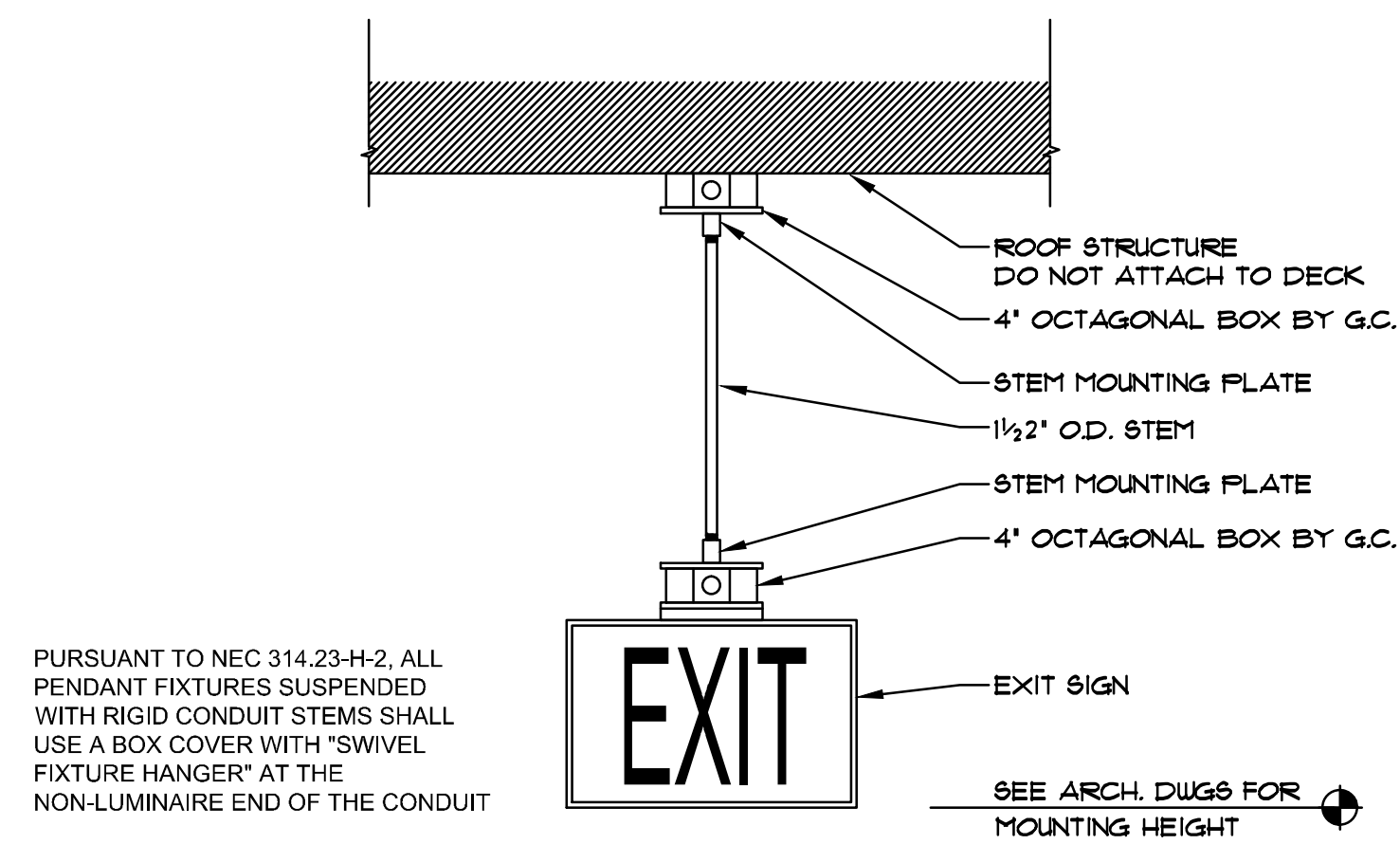
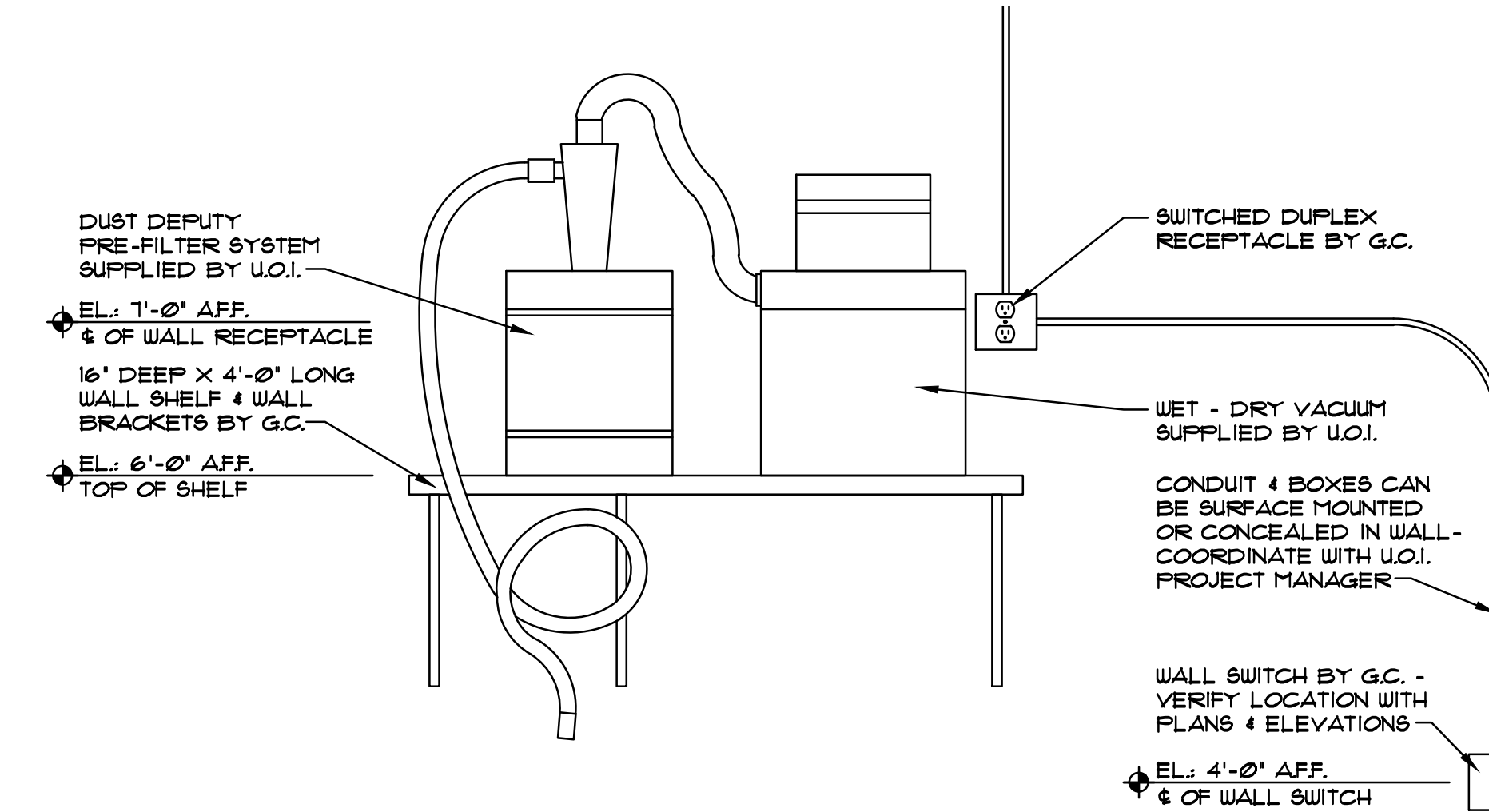


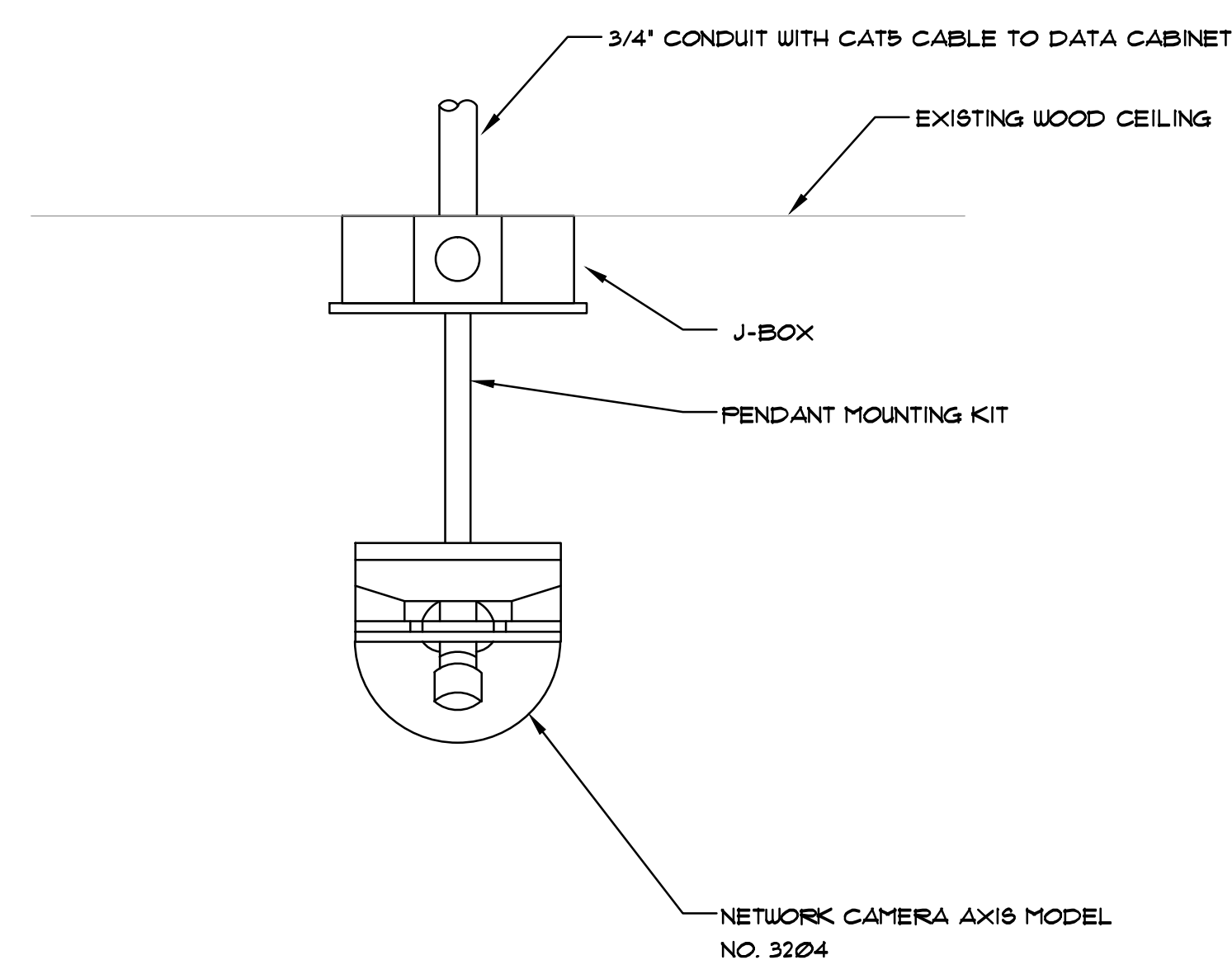
1 CHAIN HUNG FLUORESCENT LIGHT DETAIL
E401 SCALE: 1-1/2"=1'-0"



2 PENDANT B.O.H. EXIT SIGN DETAIL
E401 SCALE: 1-1/2"=1'-0"



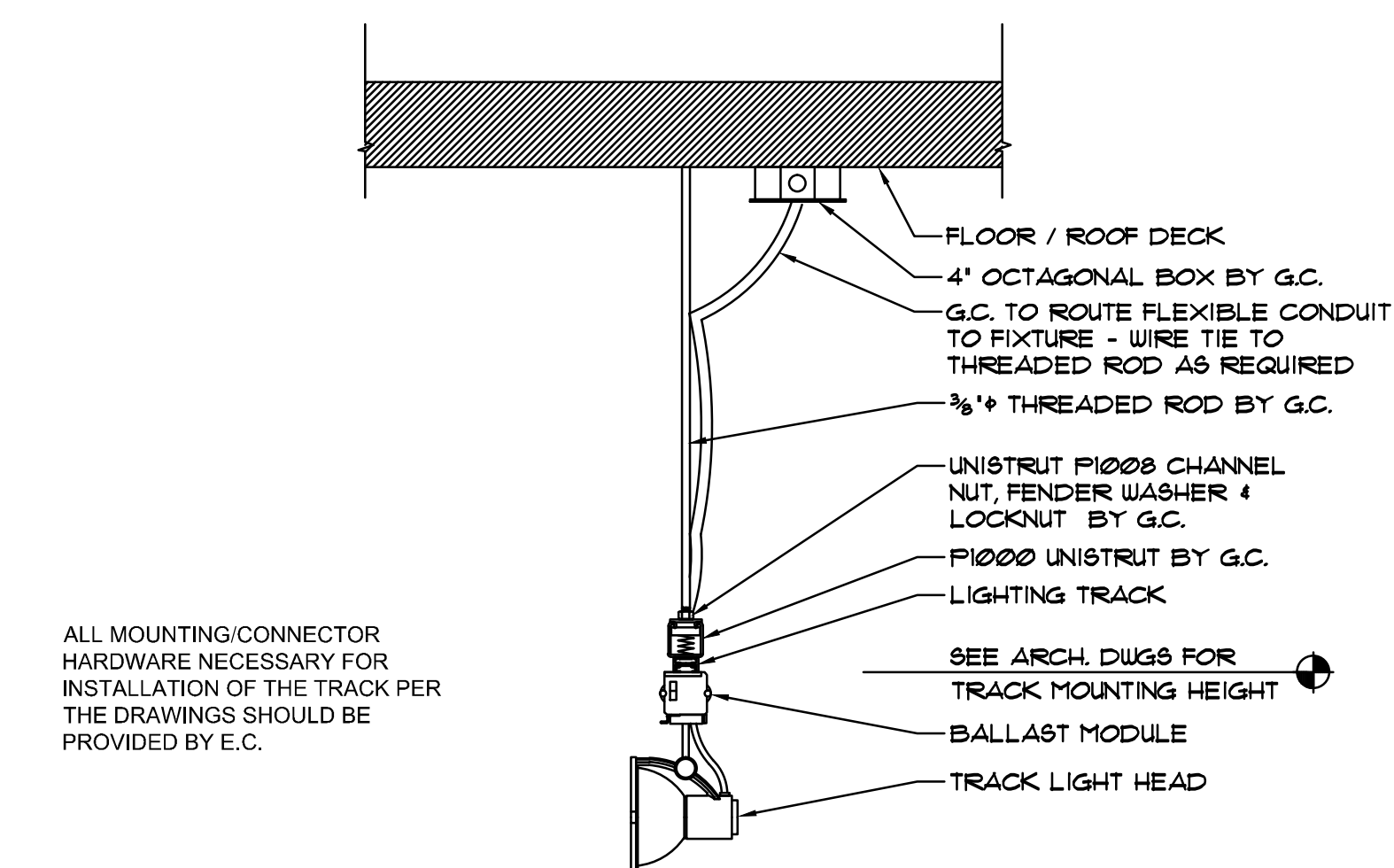
3 SHOP VACUUM / DUST DEPUTY DETAIL
E401 SCALE: 1"=1'-0"



PEOPLE TRACKER SYSTEM NOTES:

- PT1. THE NOMI PEOPLE TRACKER SYSTEM IS COMPRISED OF A FIXED CCTV CAMERA AT THE ENTRANCE TO THE BUILDING. THE SYSTEM IS POWERED ENTIRELY THROUGH A LOW VOLTAGE CAT5 CABLE. NO LINE VOLTAGE POWER IS REQUIRED. ALL INFORMATION COLLECTED IS TRANSMITTED THROUGH THE STORE WIFI SYSTEM TO AN INTERNET BASED SOFTWARE APPLICATION THAT IS REMOTELY ACCESSED BY THE UOI IT TEAM.
- PT2. E.G. TO PROVIDE A J-BOX MOUNTED TO EXISTING CEILING. J-BOX TO BE 3'-0" FROM THRESHOLD OF DOOR WITHIN THE STORE FOR NOMI CAMERA. E.G. TO PROVIDE A 3/4" CONDUIT WITH CAT5 CABLE FROM J-BOX TO DATA CABINET LOCATION. LEAVE A 10 FOOT LONG LOOP AT EACH END. FINAL CONNECTIONS, SYSTEM START UP AND TESTING BY UOI VENDOR.
- PT3. ONE CAMERA IS TO BE PLACED AT EACH 1'-6" MAXIMUM WIDE ENTRY SECTION. THE CAMERA IS THE AXIS M3204 AND IS TO BE MOUNTED 3'-0" FROM THE FACE OF THE ENTRY DOOR(S).
- PT4. AT HARD LID CEILING 30"-0" OR LOWER, THE CAMERA SHOULD BE SURFACE MOUNTED TO A JUNCTION BOX. THE CAMERA SHOULD BE LOCATED SO THAT THERE ARE NO VISUAL OBSTRUCTIONS BETWEEN THE CAMERA AND THE ENTRY. THE CAMERA SHOULD BE SPECIFIED AND INSTALLED WITH THE OPTIONAL AXIS 5009-041 DROOP CEILING MOUNTING KIT. IT IS IMPERATIVE THAT THE ELECTRONICS FOR THE SYSTEM ARE PROPERLY RECESSED IN THE CEILING.
- PT5. ELECTRICAL CONTRACTOR SHALL COORDINATE EXACT REQUIREMENTS WITH VENDOR PRIOR TO ROUGH-IN AND COMMENCEMENT OF WORK.

4 PEOPLE TRACKER SYSTEM
E401 SCALE: NONE



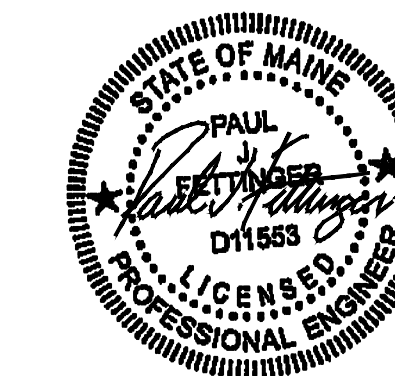
ALL MOUNTING/CONNECTOR HARDWARE NECESSARY FOR INSTALLATION OF THE TRACK PER THE DRAWINGS SHOULD BE PROVIDED BY E.C.

5 TRACK LIGHT MOUNTING DETAIL
E401 SCALE: 1-1/2"=1'-0"

NewStudio
4431 Lake Avenue South
White Bear Lake, MN 55110
p: 651.207.5527 f: 651.207.8247

ANTHROPOLOGIE
60 Pearl Street
Portland, ME 04101

HALLBERG ENGINEERING
Mechanical/Electrical Consulting Engineers
1750 Commerce Court, White Bear Lake, MN 55110
(651) 745-1100 • Fax (651) 745-9370



DRAWN BY: DJQ CHECKED BY: KLS/PUF
NSA PROJECT NUMBER: 2013-99
PROJECT PHASE: CD
HEI PROJECT NUMBER: R14-1941.000

ISSUE / DATE:
100% CHECKSET 07-11-2014
BID/PERMIT 08-01-2014

REVISION:

SHEET TITLE:
ELECTRICAL DETAILS

SHEET NO:
E401