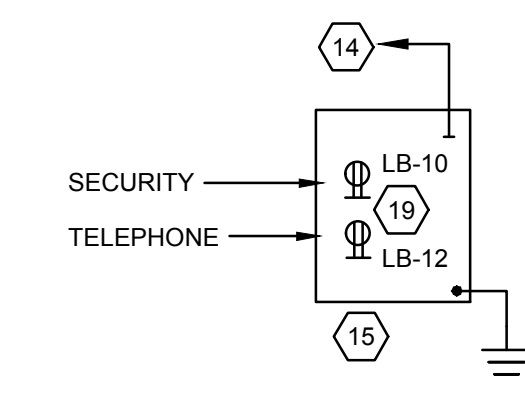


1 POWER PLAN
3/16" = 1'-0"



2 PHONEBOARD MOUNTING DETAIL
NONE

POWER PLAN GENERAL NOTES

- A. ALL WALL OUTLETS SHALL BE MOUNTED AT 14" A.F.F. TO CENTER OF OUTLET, UNLESS OTHERWISE SPECIFICALLY NOTED ON THE POWER FLOOR PLAN.
- B. A LOW VOLTAGE PERMIT IS REQUIRED.
- C. ALL JUNCTION BOXES AND DISCONNECT SWITCHES LOCATED ABOVE INACCESSIBLE CEILINGS SHALL BE MADE ACCESSIBLE THROUGH THE INSTALLATION OF ACCESS PANELS. COORDINATE EXACT REQUIREMENTS WITH G.C. ON SITE. E.C. SHALL ROUTE CONDUIT IN ORDER TO MINIMIZE THE NEED FOR EXTRANEOUS JUNCTION BOXES.
- D. MAINTENANCE OF ALL TENANT SPECIFIC EQUIPMENT, SUCH AS LIGHT FIXTURES, SMART BREAKERS, TIME CLOCKS, ETC. SHALL NOT BE THE RESPONSIBILITY OF THE LANDLORD. TENANT SHALL PROVIDE A MAINTENANCE CONTRACT FOR THESE PIECES OF EQUIPMENT WITH THE INSTALLERS OR THE EQUIPMENT MANUFACTURERS.
- E. CONTRACTOR SHALL SCHEDULE ANY POWER SHUTDOWNS WITH THE LANDLORD AT LEAST ONE MONTH PRIOR.
- F. PENETRATIONS OF FIRE RATED WALLS SHALL BE SEALED TO PRESERVE THE INTEGRITY OF THE FIRE RATING FOR WHICH THE WALL IS DESIGNED. MATERIALS AND METHODS USED FOR FIRESTOPPING SHALL COMPLY WITH APPLICABLE BUILDING AND FIRE CODES.
- G. REFER TO ARCHITECTURAL DRAWINGS FOR LOCATIONS AND QUANTITIES FOR ELECTRICAL DEVICES. CONTRACTOR SHALL COORDINATE OUTLET LOCATIONS AND MOUNTING HEIGHTS WITH ARCHITECTURAL ELEVATIONS PRIOR TO ANY INSTALLATIONS.
- H. ELECTRICAL WORK IN THE SALES AND PUBLIC AREAS SHALL BE CONCEALED. NO EXPOSED CONDUIT OR JUNCTION BOXES. COORDINATE WITH ARCHITECTURAL DETAILS FOR ROUTING OF CONDUITS AND BOX LOCATIONS.
- I. AC, BX, MC AND ROMEX TYPE WIRING IS NOT ALLOWED.
- J. ALL OUTLETS IN WOOD WALLS/CEILING TO HAVE A BLACK FACE PLATE.
- K. RECESSED AND HIDDEN CONDUIT WILL BE AT ALL TENANT CONSTRUCTED DROPPED CEILINGS/SOFFITS, FITTING ROOM AREAS AND BACK DOOR/OFFICE AREA.
- L. RUN ALL EXPOSED CONDUIT IN A NEAT, WORKMANLIKE MANNER PARALLEL TO THE BUILDING LINES, DUCT WORK, TIGHT TO THE WALL AND CEILING SURFACES, AND FIRMLY SUPPORT WITH CONDUIT CLAMPS OR HANGERS. PROVIDE TWO (2) HOLE MOUNTING STRAPS, MINIMUM THREE (3) FEET ON CENTER, FOR ALL SURFACE CONDUIT MOUNTED ON WALLS LESS THAN SIX (6) FEET ABOVE FINISHED FLOOR. PLACE CONDUITS AT LEAST 8" AWAY FROM ALL HOT PIPING AND SURFACES INCLUDING DOMESTIC HOT WATER LINES.

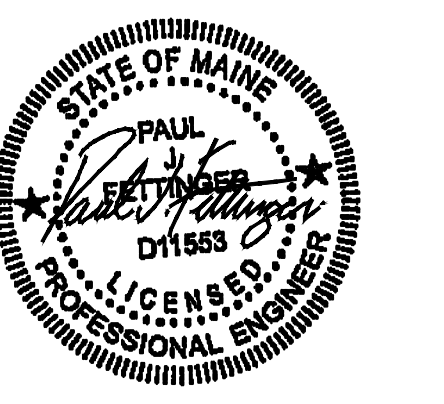
POWER PLAN KEY NOTES

- 1 REFER TO ELECTRICAL DETAILS ON SHEET E403.
- 2 DATA OUTLET CEILING MOUNTED FOR WIRELESS ACCESS POINT. COORDINATE EXACT LOCATION WITH ARCHITECT PRIOR TO ROUGH-IN. REFER TO 4/E404 FOR ADDITIONAL INFORMATION.
- 3 DOOR BELL SYSTEM. REFER TO DETAIL 7/E402 FOR ADDITIONAL INFORMATION.
- 4 RECEPTACLES AT FLOATING WALL DISPLAYS SHALL BE RECESSED TO FLUSH WITH FACE OF FINISH/VISIBLE FROM SALES FLOOR (NOT INSTALLED BEHIND DISPLAYS). IN-WALL STANDARDS, AND OUTRIGGERS STANDARD FIXTURES SHOULD BE RECESSED TO BE FLUSH WITH FACE OF WALL FINISH. ALL OUTLETS AT FIXTURE STANDARDS SHOULD BE ROTATED 90 DEGREES SO THE LONG DIMENSION IS PARALLEL TO THE FLOOR AND MOUNTED AT 14" A.F.F. TO CENTERLINE OF RECEPTACLE. ONE RECEPTACLE PER FIXTURE GROUP UNLESS OTHERWISE NOTED ON PLAN USED FOR DECORATIVE PURPOSES ONLY. RECEPTACLE TO BE CENTER MOUNTED AT EVEN FIXTURE COUNTS, AND MOVED TO THE RIGHT ONE FIXTURE BAY AT ODD FIXTURE COUNTS. REFER TO ARCHITECTURAL FOR ADDITIONAL SPACING INFORMATION.
- 5 REFER TO DETAIL 5/E403 FOR MOUNTING DETAILS OF BACKWRAP RECEPTACLES.
- 6 RECEPTACLE OUTLET SHALL BE INSTALLED WITHIN 18" OF TOP OF SHOW WINDOW FOR EACH 12 FT OR MAJOR FRACTION THEREOF OF SHOW WINDOW AREA MEASURED HORIZONTALLY AT ITS MAXIMUM WIDTH. SEE ARCHITECTURAL SHEETS FOR CEILING MOUNTING CONDITIONS.
- 7 INFEEED TO CASHWRAP MILLWORK. PROVIDE (1) 1" CONDUIT FOR LOW VOLTAGE WIRING, (1) 1" CONDUIT FOR DEDICATED POWER (DG) CIRCUITS AND (1) 3/4" CONDUIT FOR CONVENIENCE POWER CIRCUIT. ROUTE CONDUITS UNDER FLOOR TO CASH WRAP. COORDINATE EXACT REQUIREMENTS WITH ARCHITECT AND LANDLORD REPRESENTATIVE.
- 8 PROVIDE J-BOX AT 7'-0" A.F.F. FOR CONNECTION TO LED STRIP LIGHTING AT EACH FITTING ROOM MIRROR. REFER TO ARCHITECTURAL DETAILS FOR FURTHER INFORMATION.
- 9 REFER TO DETAIL 6/E402 FOR CASHWRAP OUTLET MOUNTING INFORMATION AND DETAILS ON SHEET A705.
- 10 NOT USED.
- 11 DUPLEX RECEPTACLE AND TELEPHONE OUTLET FOR FITTING ROOM WORK STATION. COORDINATE EXACT MOUNTING HEIGHTS AND LOCATIONS IN FIELD WITH CONSTRUCTION MANAGER PRIOR TO ROUGH-IN.
- 12 PROVIDE GFI, DUPLEX RECEPTACLE ON DEDICATED CIRCUIT FOR ELECTRIC WATER COOLER.
- 13 LOCATION OF TENANT'S ELECTRICAL DISTRIBUTION EQUIPMENT. REFER TO PANEL SCHEDULES AND POWER RISER DIAGRAM ON SHEET E501 FOR ADDITIONAL INFORMATION.
- 14 LANDLORD TO PROVIDE 2" CONDUIT WITH PULLSTRING FROM MAIN SWITCHING EQUIPMENT ROOM TO LOCATION OF "TTB". FURNISH AND INSTALL NYLON PULL ROPE. FIELD VERIFY EXACT REQUIREMENTS.
- 15 "TTB" = 4'-0" WIDE BY 4'-0" HIGH X 3/4" THICK PLYWOOD BACKBOARD PROVIDED BY LANDLORD. FOR TELEPHONE TERMINAL BLOCKS, SECURITY CONTROL PANEL AND SOUND SYSTEM CONTROL PANEL PAINT WITH FIRE RESISTANT BLACK PAINT. ALL 4 TRADES SHALL BE COORDINATED THRU THE G.C. NO ONE IS PERMITTED TO MOUNT EQUIPMENT ON THIS BOARD UNLESS APPROVED BY THE G.C. MOUNT BOARD AT 48" A.F.F. TO THE CENTER. REFER TO DETAIL 2 THIS SHEET.
- 16 PROVIDE NEW LIGHTING CONTROL PANEL. REFER TO LIGHTING PLAN AND LIGHTING CONTROL DIAGRAM ON SHEET E500 FOR ADDITIONAL INFORMATION.
- 17 SINGLE CIRCUIT PLUGMOLD STRIP WITH 20 AMP RECEPTACLES SPACED 12" O.C. WIREMOLD #V24GBX12 SERIES (OR EQUAL) (MOUNTED AS INDICATED ON ARCHITECTURAL ELEVATIONS), LENGTH AS INDICATED.
- 18 PROVIDE 120V POWER CONNECTION TO DOOR CONTACT CONNECTED TO THE HEAD OF THE DOOR FRAME. WHEN DOOR OPENS, LIGHTS TURN ON. WHEN DOOR CLOSSES, LIGHTS TURN OFF. VERIFY CONNECTION REQUIREMENTS WITH DOOR HARDWARE MANUFACTURER. DOOR CONTACT PROVIDED BY E.C.
- 19 RECEPTACLES FOR TELEPHONE EQUIPMENT AND SECURITY PANEL. REFER TO PHONEBOARD MOUNTING DETAIL THIS SHEET. EACH RECEPTACLE SHALL BE WIRED ON SEPARATE CIRCUITS.
- 20 WALL MOUNTED POWER AND DATA OUTLET FOR MUSIC SERVER. COORDINATE EXACT MOUNTING HEIGHT WITH CONSTRUCTION MANAGER PRIOR TO ROUGH-IN.
- 21 PROVIDE ELECTRIFIED MAGNETIC DOOR HOLD AT FIRE RATED DOOR.
- 22 CHECKPOINT SYSTEM. PROVIDE 3/4" CONDUIT FROM CHECKPOINT SYSTEM CONTROL PANEL TO LOCATIONS SHOWN. ELECTRONICS ENCLOSURE/POWER SUPPLY FOR CHECK POINT DOOR SECURITY TO BE MOUNTED CONCEALED IN SOFFIT ABOVE ENTRY PORTAL FOR BACK DOOR AND IN FLOOR PLATFORM AT FRONT DOOR. PROVIDE QUADRUPEX FOR POWER CONNECTION. COORDINATE EXACT MOUNTING LOCATION WITH ARCHITECT PRIOR TO ROUGH-IN. REFER TO DETAIL 3/E404. REFER TO V100 FOR ADDITIONAL INFORMATION.
- 23 RECEPTACLES FOR MICROWAVE, REFRIGERATOR, COFFEE MAKER, AND CONVENIENCE. REFER TO ARCHITECTURAL ELEVATIONS.
- 24 DUST DEPUTY COLLECTION SYSTEM. REFER TO DETAIL 3/E401.
- 25 PROVIDE RECEPTACLE FOR POWER SUPPLY TO 1/5 HP AIR FILTRATION UNIT. COORDINATE EXACT MOUNTING METHOD AND LOCATION OF RECEPTACLE PRIOR TO ROUGH-IN. PROVIDE TOGGLE SWITCH FOR ON/OFF CONTROL OF UNIT.
- 26 PROVIDE CEILING MOUNTED J-BOX, S.O. CORD WITH STRAIN RELIEF AND QUAD RECEPTACLE. SUSPEND QUAD AT 9'-6" A.F.F.
- 27 PROVIDE CEILING MOUNTED DATA OUTLET 3'-0" FROM THRESHOLD OF DOOR WITHIN THE STORE FOR PEOPLE COUNTER CAMERA. PROVIDE 1/2" CONDUIT WITH CAT5 CABLE FROM J-BOX BACK TO DATA CABINET. REFER TO 4/E401 FOR FURTHER INFORMATION.
- 28 MECHANICAL EQUIPMENT. REFER TO MECHANICAL EQUIPMENT SCHEDULE ON SHEET E501.

NewStudio
4431 Lake Avenue South
White Bear Lake, MN 55110
p: 651.207.5527 f: 651.207.8247

ANTHROPOLOGIE
60 Pearl Street
Portland, ME 04101

HALLBERG ENGINEERING
Mechanical/Electrical Consulting Engineers
1750 Commerce Court, White Bear Lake, MN 55110
(651) 745-1100 • Fax (651) 745-9370



DRAWN BY: DJQ CHECKED BY: KLS/JPJF
NSA PROJECT NUMBER: 2013-99
PROJECT PHASE: CD
HEI PROJECT NUMBER: R14-1941-000

ISSUE / DATE:
100% CHECKSET 07-11-2014
BID/PERMIT 08-01-2014

REVISION:

SHEET TITLE:
POWER PLAN

SHEET NO.:
E200