

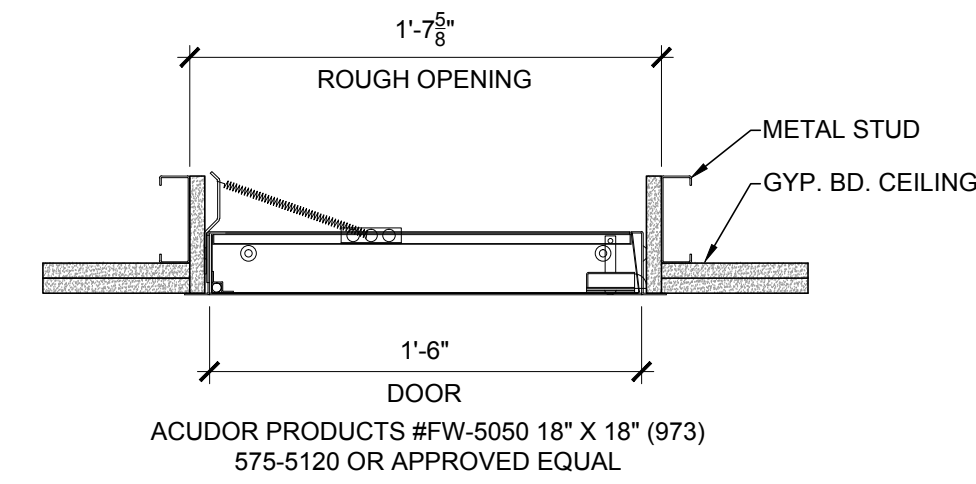
8 DETAIL AT COVE LIGHTING

A220 6"= 1'-0"

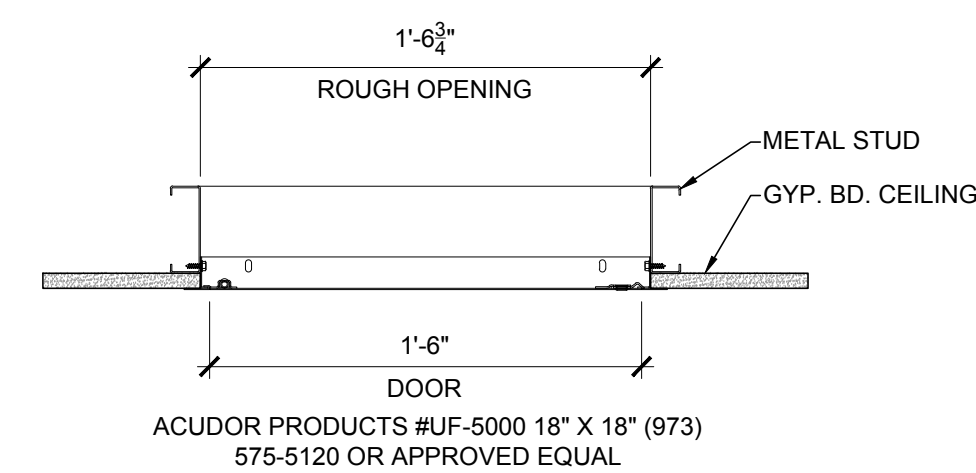
- NOTE:
- G.C. TO LOCATE CEILING ACCESS PANELS AS REQUIRED FOR EASY ACCESS TO SERVICE HVAC COMPONENTS & LANDLORD EQUIPMENT.

- ACCESS PANELS LOCATED ON A PLASTER SURFACE MUST BE ABLE TO RECEIVE PLASTER FINISH-ACCESS PANEL SHOULD BE FLUSH TO ADJACENT WALL

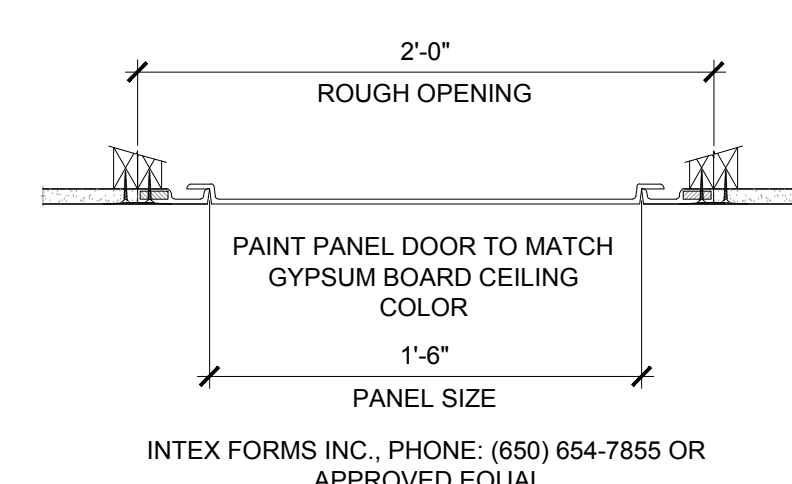
- REFER TO 4/A433 & 5/A433 FOR ACCESS PANELS AT FRONT AND REAR ENTRY



BOH: RATED CEILING



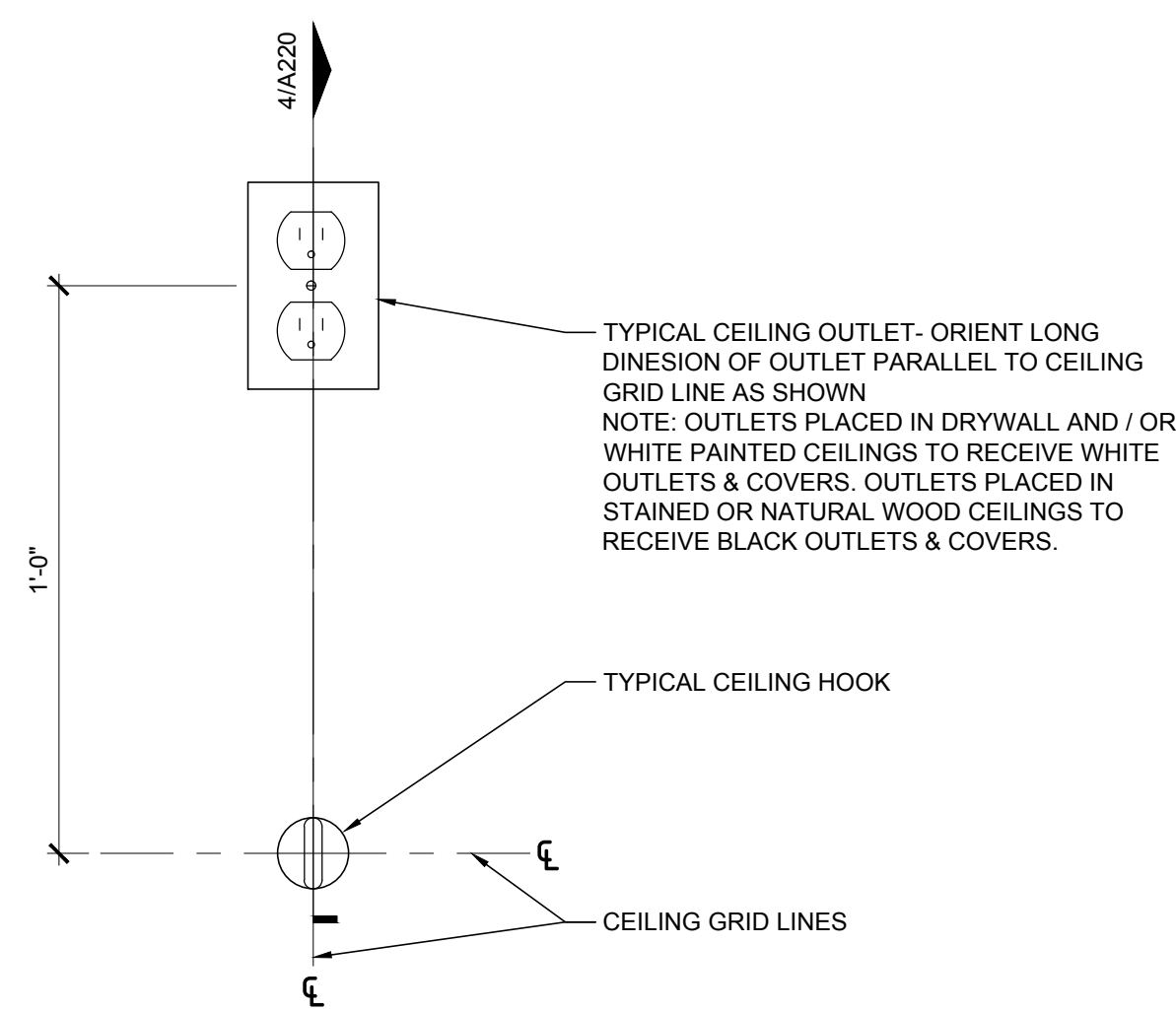
BOH: NON-RATED CEILING



SALES: GYP. BD. CEILING

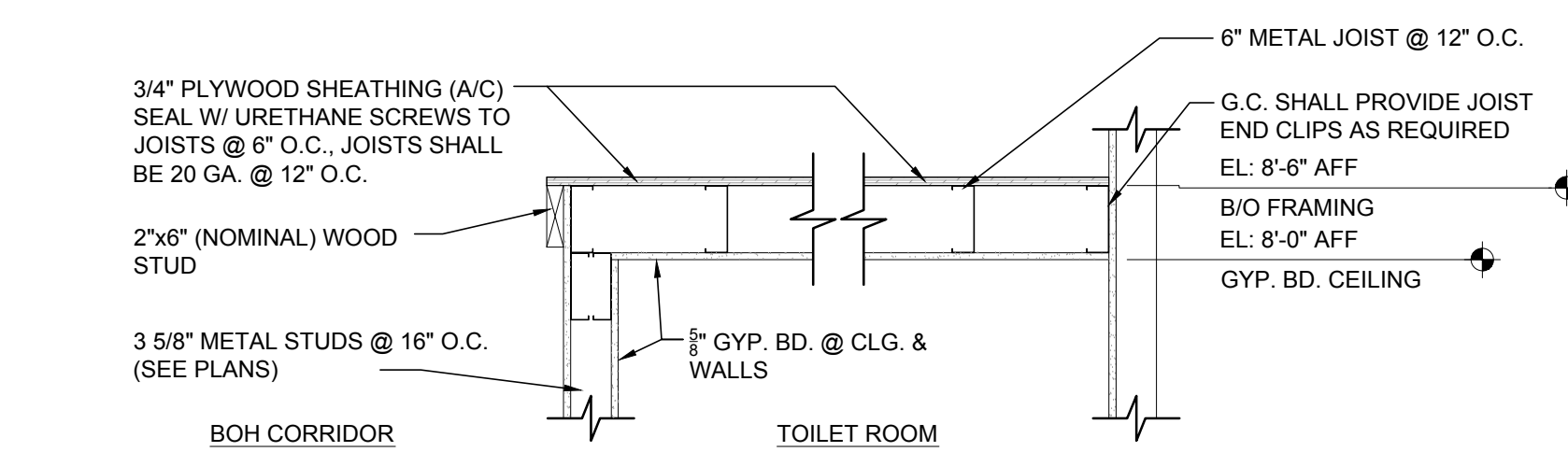
5 CEILING ACCESS PANELS

A220 NTS



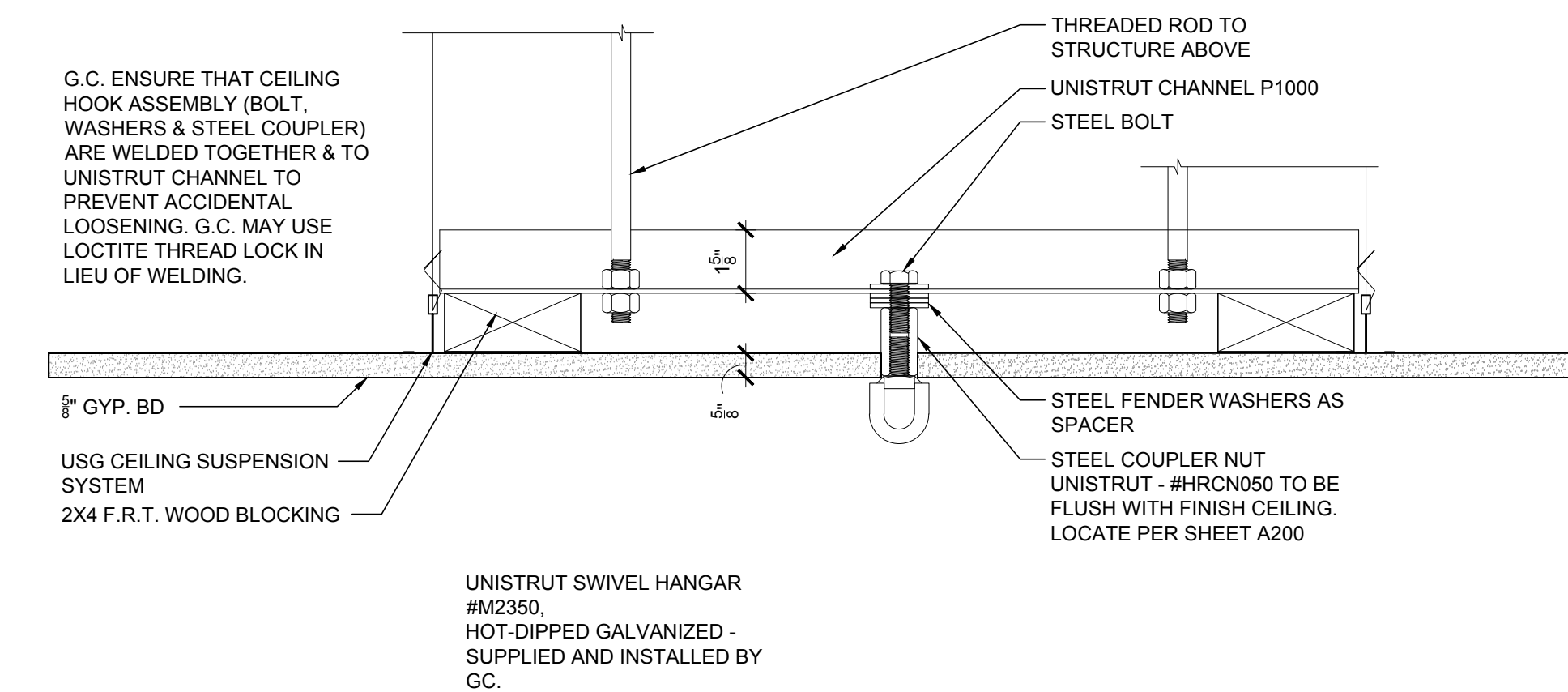
3 DETAIL - TYPICAL CEILING OUTLET

A220 NTS



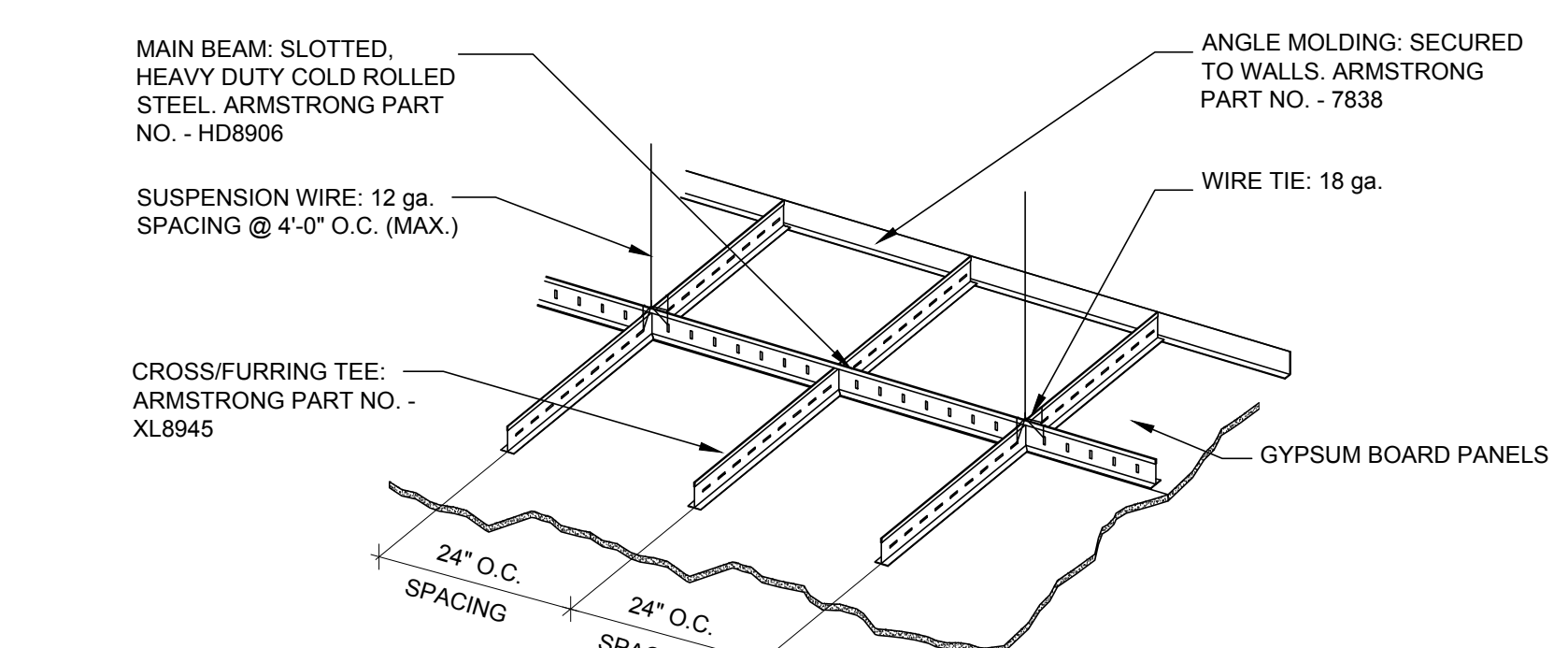
7 SECTION AT B.O.H. PLATFORM

A220 3/4"= 1'-0"



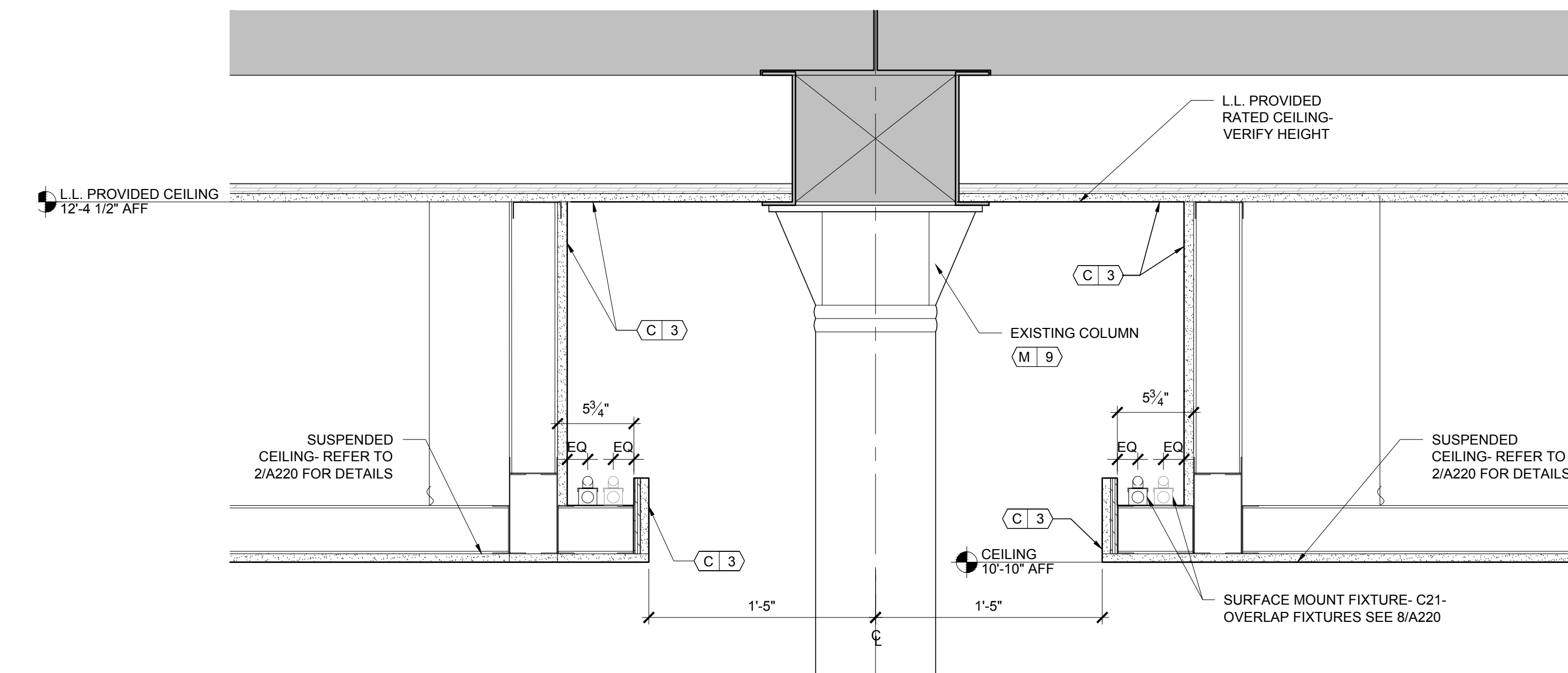
4 DETAIL - CEILING HOOK AT LOWERED GYP CEILING

A220 NTS



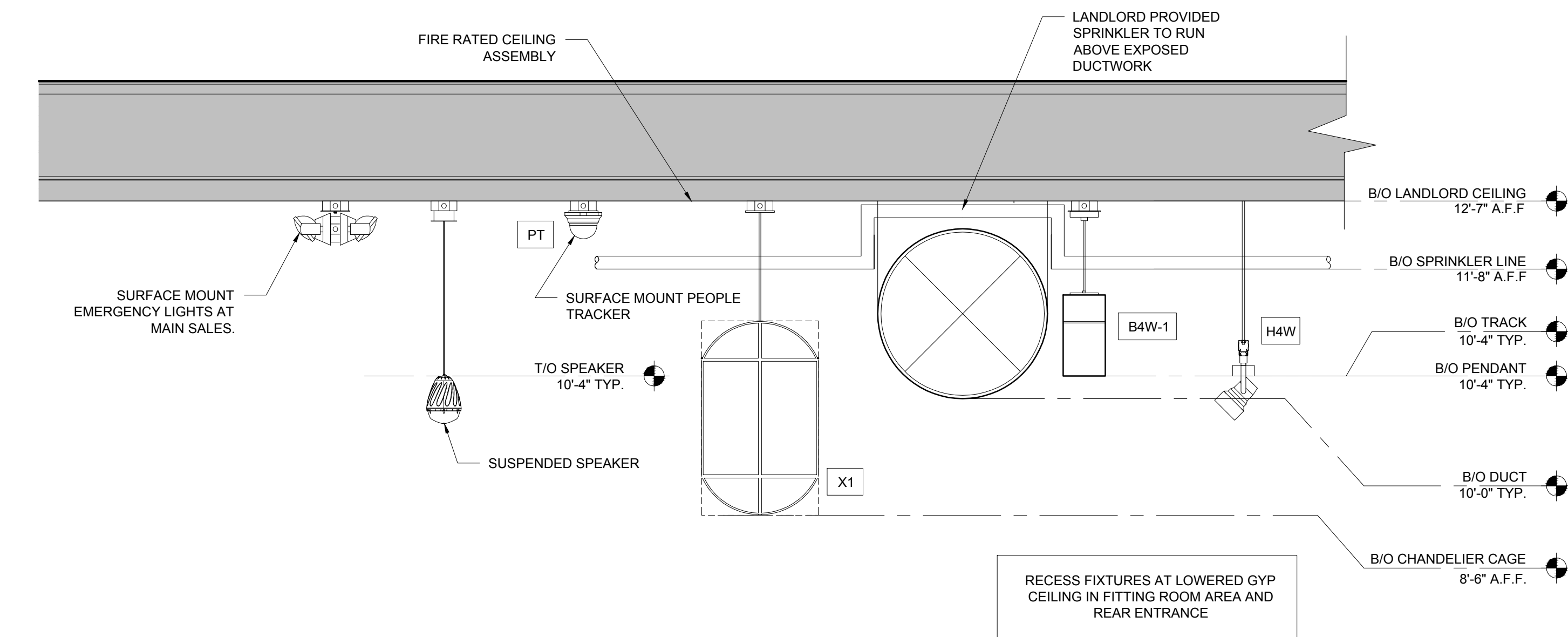
2 TYPICAL SUSPENDED CEILING LAYOUT DETAIL

A220 NTS



6 CEILING COVE SECTION DETAIL

A220 1-1/2"= 1'-0"



1 MOUNTING HEIGHT DIAGRAM

A220 3/4"= 1'-0"